

US00D830070S

(12) **United States Design Patent** (10) **Patent No.:** **US D830,070 S**  
**Liu** (45) **Date of Patent:** **\*\* Oct. 9, 2018**

(54) **MIRROR**  
(71) Applicant: **Shaojia Liu**, Shenzhen (CN)  
(72) Inventor: **Shaojia Liu**, Shenzhen (CN)  
(\*\*) Term: **15 Years**  
(21) Appl. No.: **29/612,152**  
(22) Filed: **Jul. 28, 2017**  
(51) **LOC (11) Cl.** ..... **06-07**  
(52) **U.S. Cl.**  
USPC ..... **D6/309; D6/310**  
(58) **Field of Classification Search**  
USPC ..... **D6/300-314**  
CPC ... **A47G 1/00; A47G 1/02; A47G 1/06; A47G 1/0616; A47G 1/14; A47G 1/141; A45D 42/00; A45D 42/08; A45D 42/14; A45D 42/16; A45D 42/10**  
See application file for complete search history.

D699,952 S \* 2/2014 Yang ..... D6/309  
D701,050 S \* 3/2014 Yang ..... D6/309  
D736,001 S \* 8/2015 Yang ..... D6/309  
D737,060 S \* 8/2015 Yang ..... D6/309  
D793,099 S \* 8/2017 Bailey ..... D14/172  
9,897,306 B2 \* 2/2018 Yang ..... F21V 33/004  
2010/0118520 A1 \* 5/2010 Stern ..... A45D 42/10  
362/135  
2013/0235610 A1 \* 9/2013 Yang ..... F21V 33/004  
362/555

\* cited by examiner

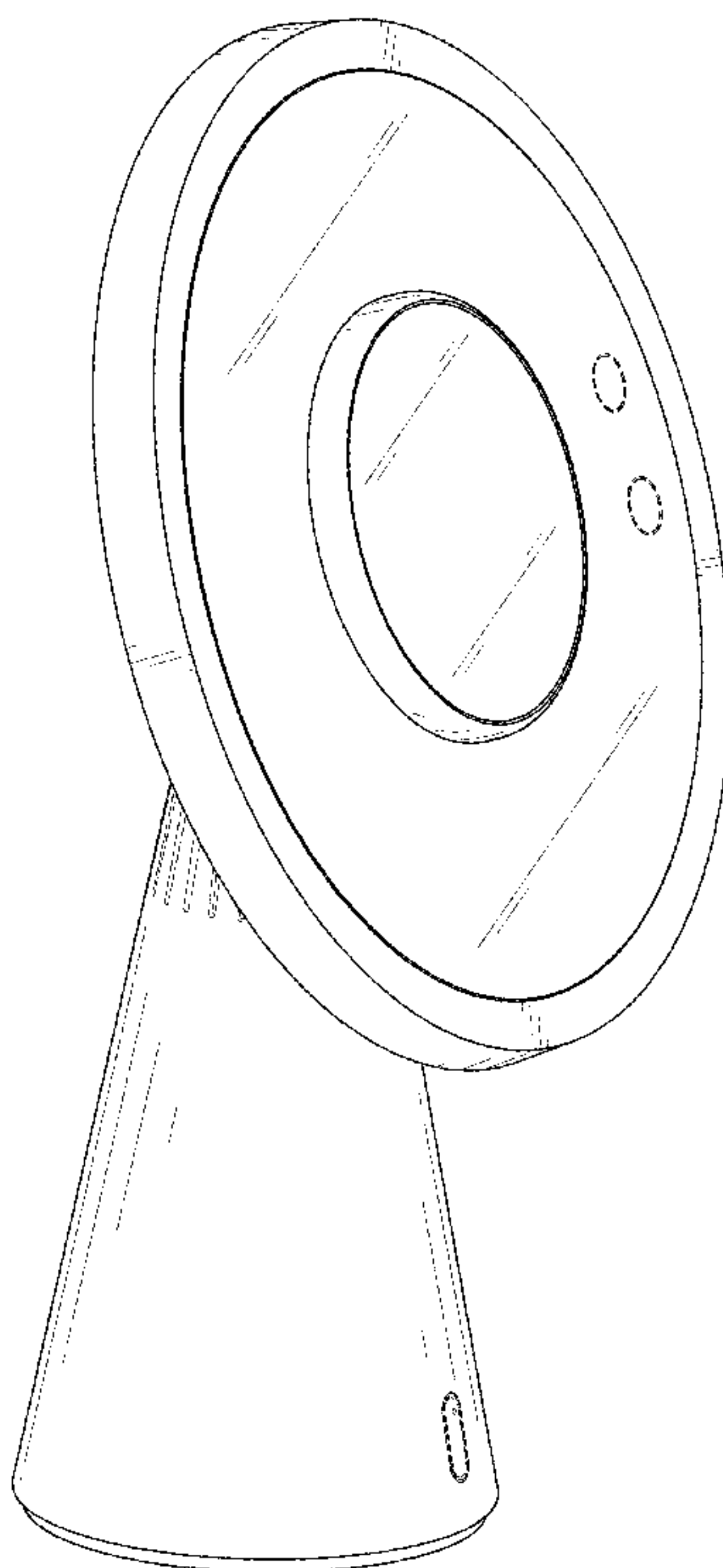
*Primary Examiner* — Deanna L Pratt  
(74) *Attorney, Agent, or Firm* — Novoclaims Patent Services LLC; Mei Lin Wong

(56) **References Cited**  
U.S. PATENT DOCUMENTS  
D209,077 S \* 10/1967 Andre ..... D26/56  
D226,248 S \* 1/1973 Krusche ..... 362/135  
3,711,182 A \* 1/1973 Jasgur ..... A45D 42/10  
359/488.01  
D334,667 S \* 4/1993 Lonczak ..... D6/308  
5,997,149 A \* 12/1999 Chu ..... A45D 42/10  
362/142  
D442,371 S \* 5/2001 Eberts ..... D6/308  
D454,701 S \* 3/2002 Eric ..... D6/308

(57) **CLAIM**  
The ornamental design of a mirror, as shown and described.

**DESCRIPTION**  
FIG. 1 is a front perspective view of a mirror showing my new design.  
FIG. 2 is a front view thereof.  
FIG. 3 is a rear view thereof.  
FIG. 4 is a left side view thereof.  
FIG. 5 is a right side view thereof.  
FIG. 6 is a top view thereof; and,  
FIG. 7 is a bottom view thereof.  
The broken lines in the drawings represent unclaimed subject matter and form no part of the claim.

**1 Claim, 7 Drawing Sheets**



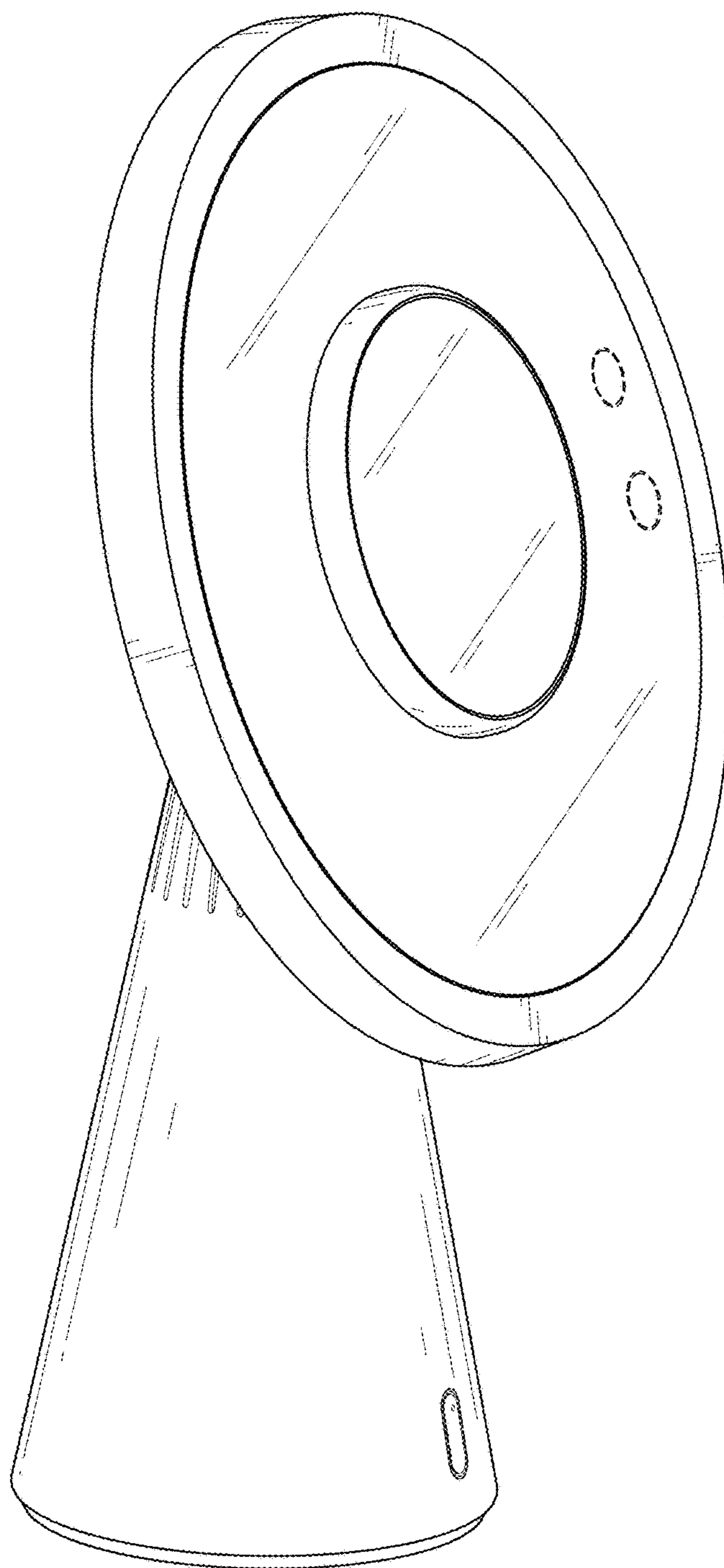


FIG. 1

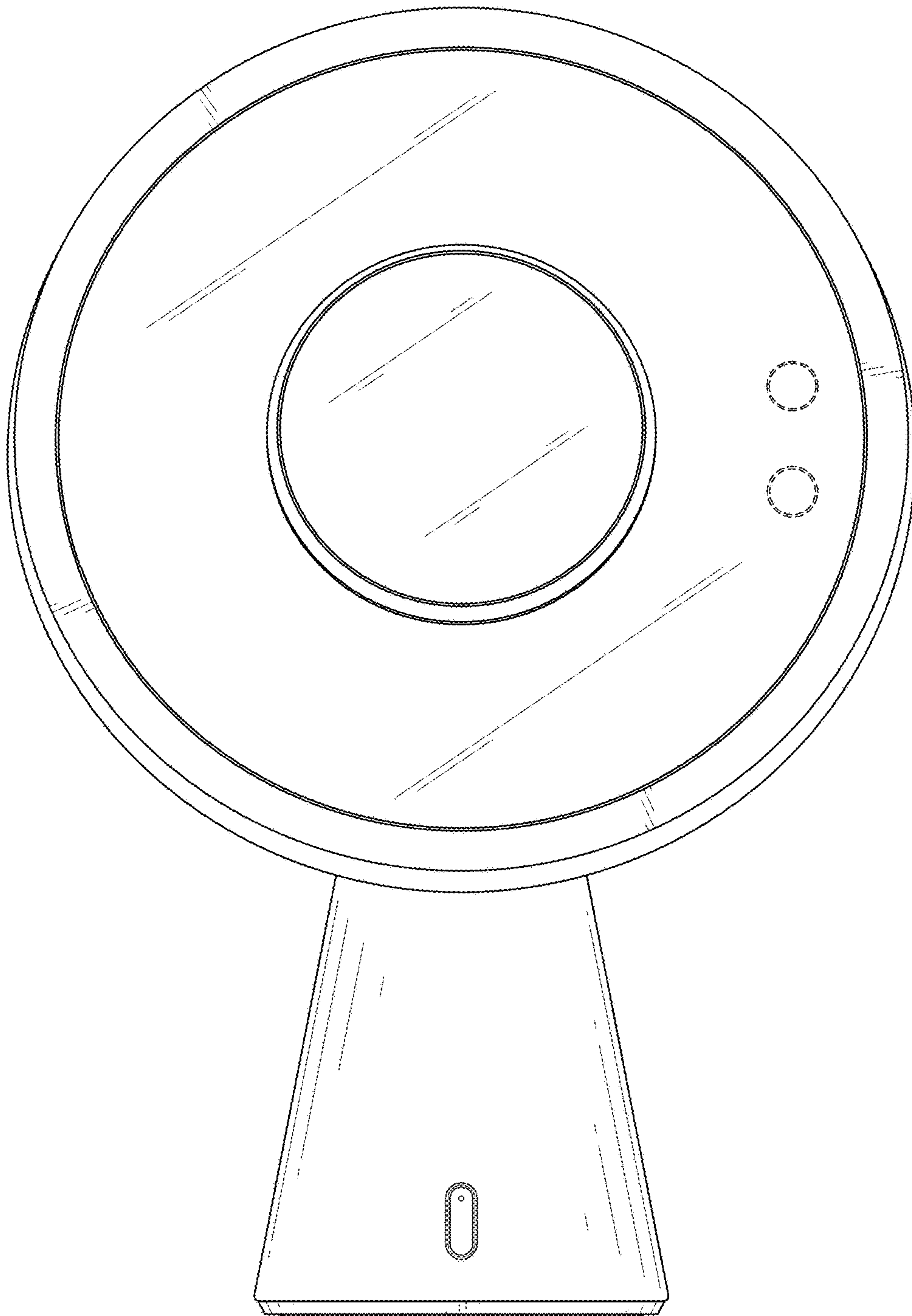


FIG. 2

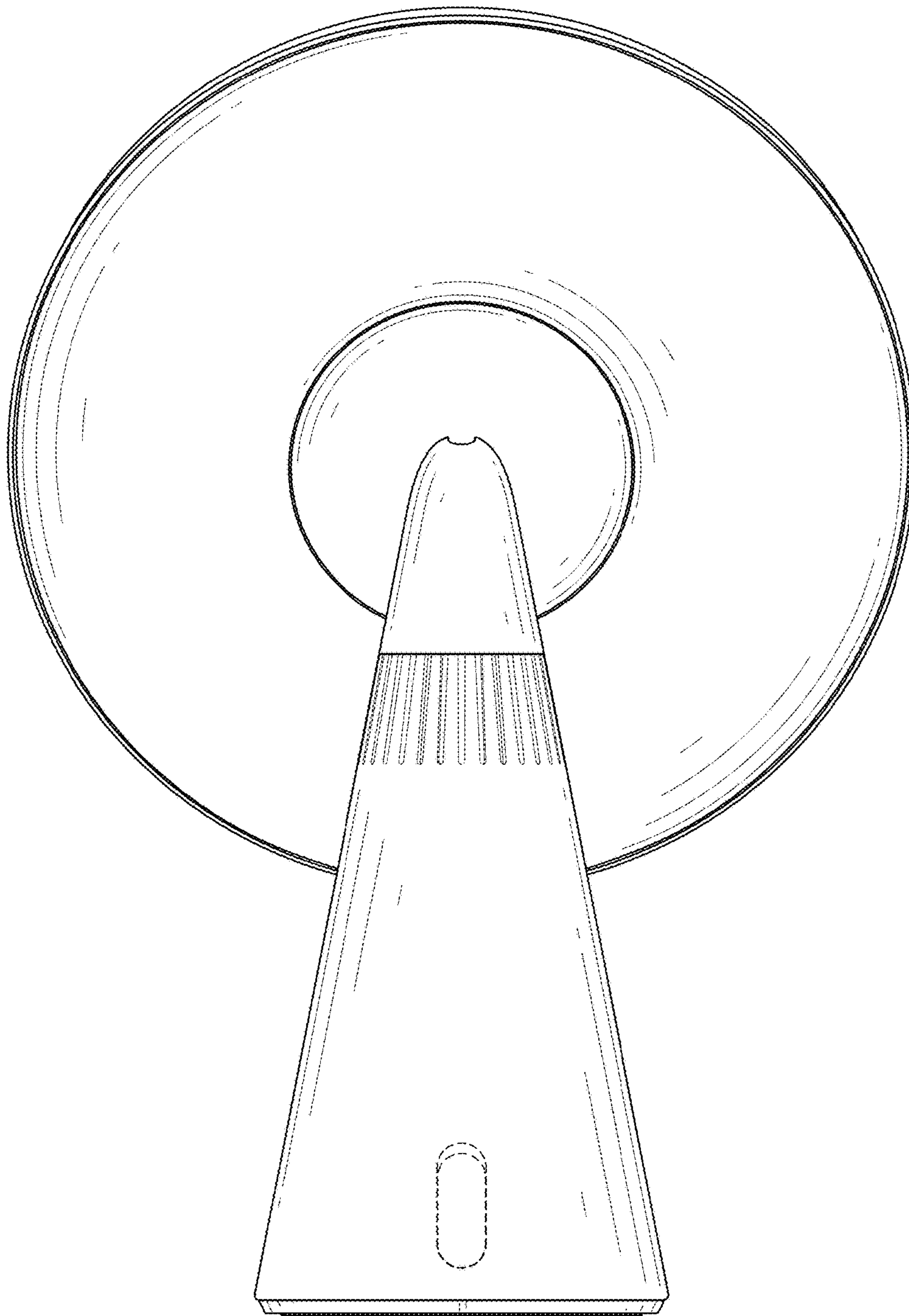


FIG. 3

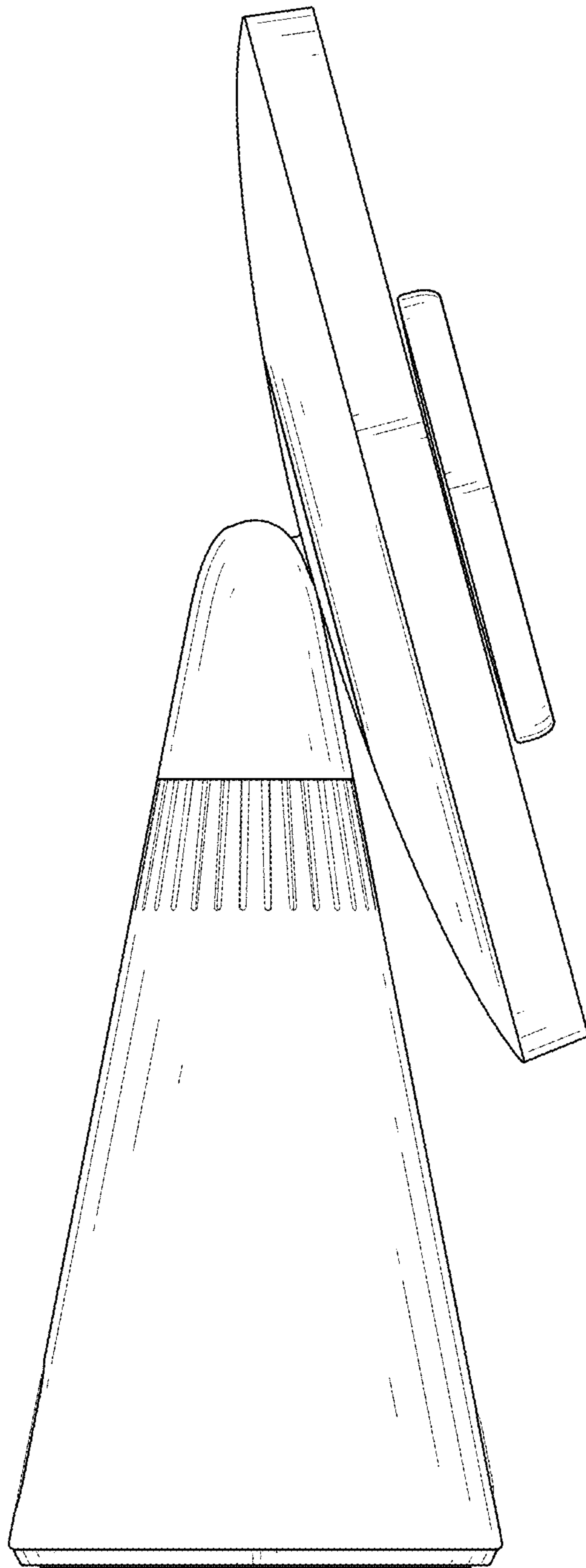


FIG. 4



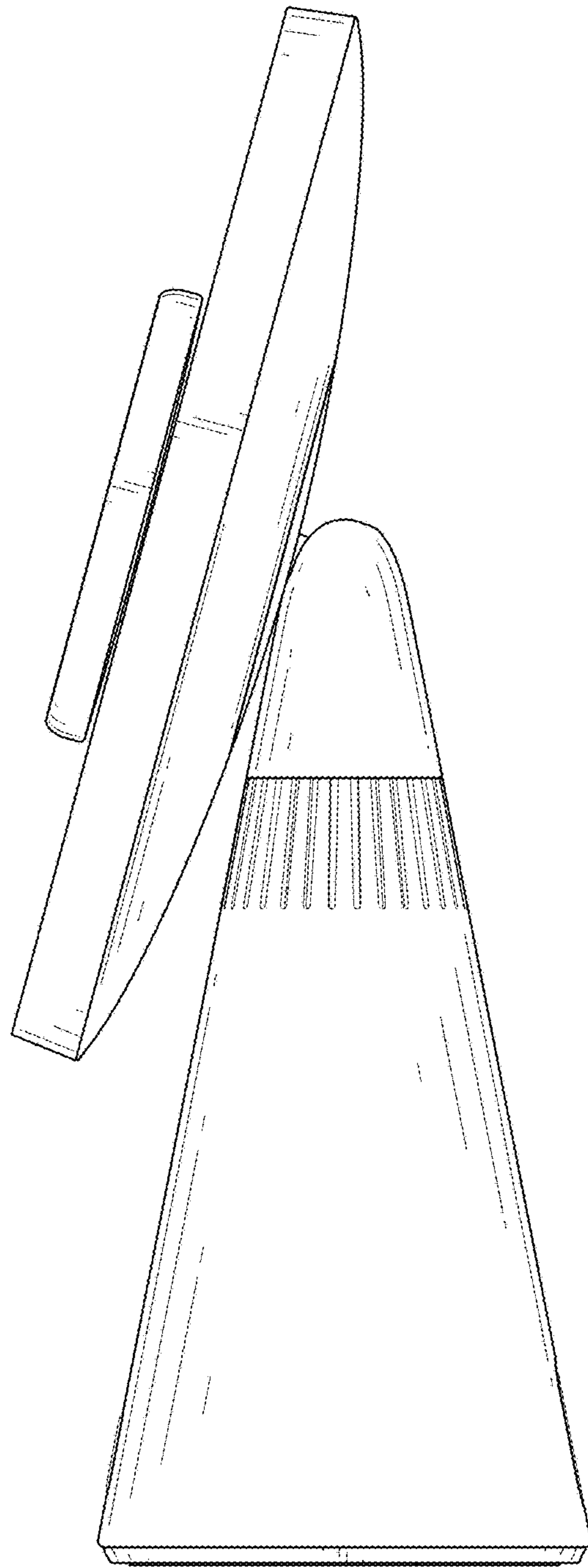


FIG. 5

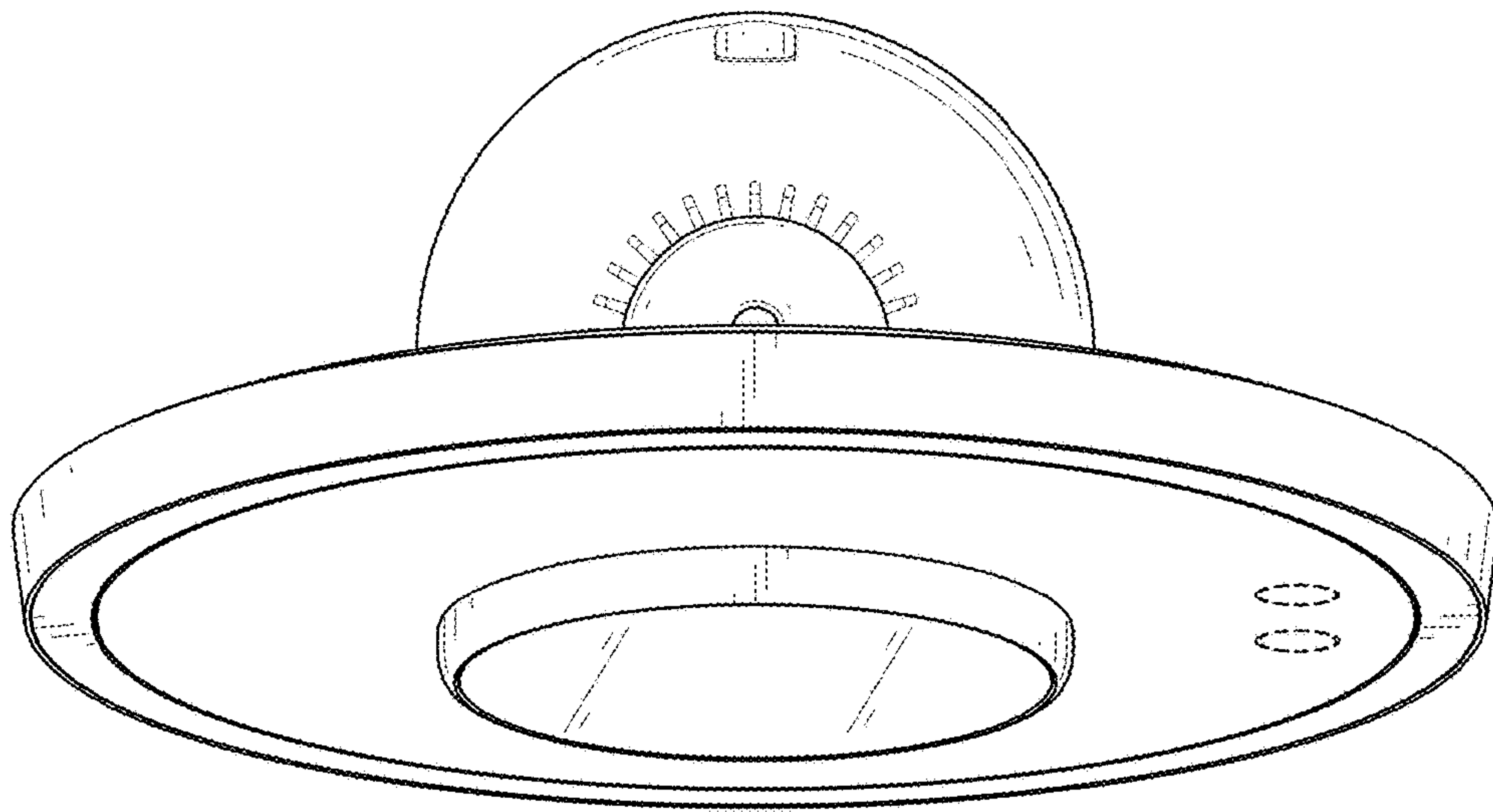


FIG. 6

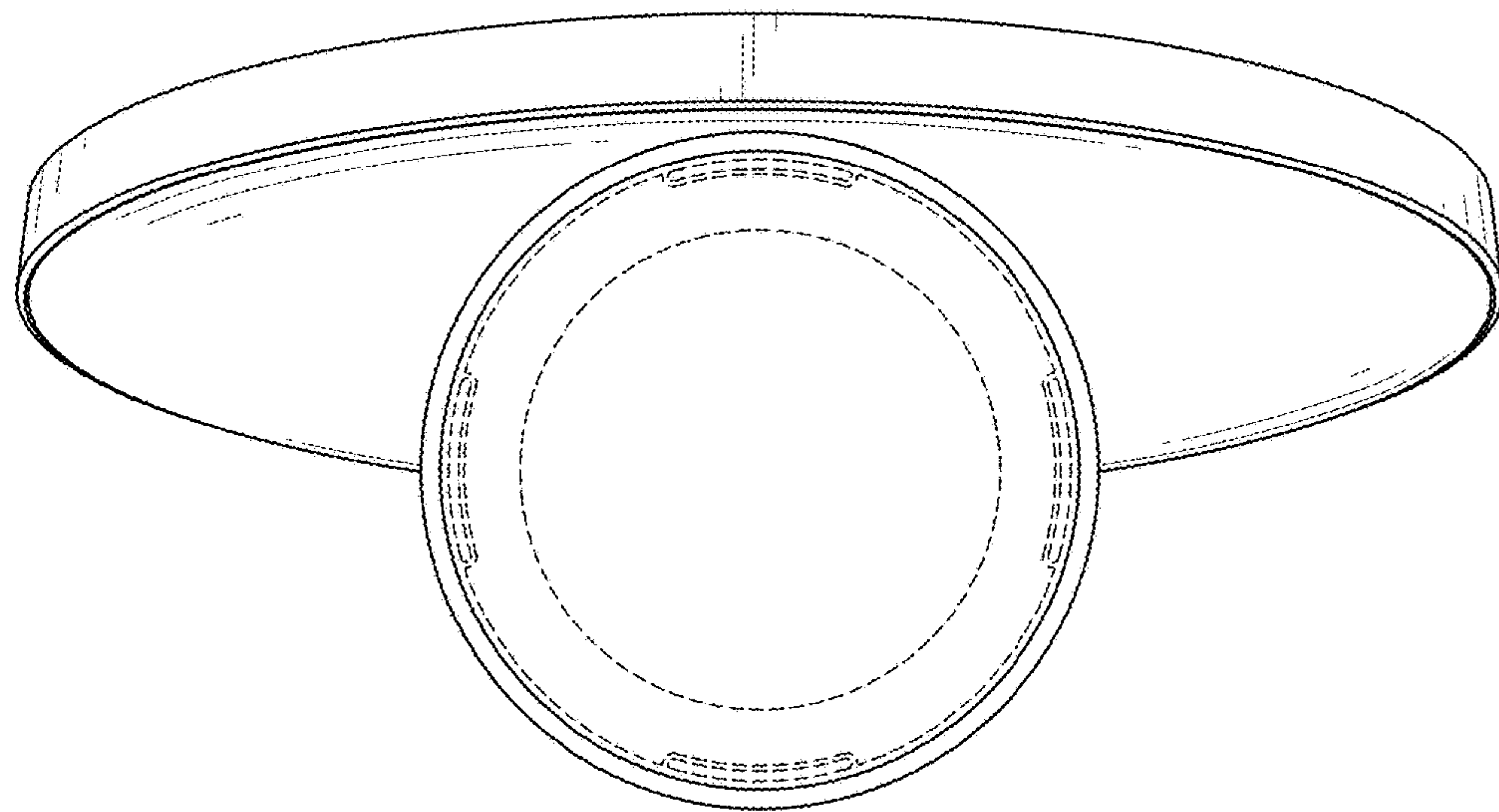


FIG. 7