



US00D830069S

(12) **United States Design Patent** (10) **Patent No.:** **US D830,069 S**  
**Zadro et al.** (45) **Date of Patent:** **\*\* Oct. 9, 2018**

- (54) **FOGLESS TRAVEL MINOR**
- (71) Applicants: **Zlatko Zadro**, Huntington Beach, CA (US); **Alexander Ivan Zadro**, Huntington Beach, CA (US); **Elizabeth Zadro Weber**, Huntington Beach, CA (US)
- (72) Inventors: **Zlatko Zadro**, Huntington Beach, CA (US); **Alexander Ivan Zadro**, Huntington Beach, CA (US); **Elizabeth Zadro Weber**, Huntington Beach, CA (US)
- (73) Assignee: **ZADRO, INC.**, Huntington Beach, CA (US)

8,556,447 B2 \* 10/2013 Griggs ..... A45D 42/10  
359/850  
D695,027 S \* 12/2013 Zadro ..... D6/300  
D749,329 S \* 2/2016 Kaiser ..... D6/300  
D776,944 S \* 1/2017 Tang ..... D14/138 C  
2013/0308190 A1 \* 11/2013 Vogel ..... A45D 42/00  
359/512

\* cited by examiner

*Primary Examiner* — Deanna L Pratt  
(74) *Attorney, Agent, or Firm* — William L. Chapin

(57) **CLAIM**

The ornamental design for a fogless travel mirror, as shown and described.

**DESCRIPTION**

FIG. 1 is a front perspective view of a fogless travel mirror according to the present invention.  
 FIG. 2 is a front elevation view thereof.  
 FIG. 3 is a rear elevation view thereof.  
 FIG. 4 is a left-side elevation view thereof, the right-side elevation view being a mirror image thereof.  
 FIG. 5 is a right-side elevation view thereof, with a suction cup fastener bracket thereof pivoted to an upright use position, the left-side elevation view being a mirror image thereof.  
 FIG. 6 is a top plan elevation view thereof.  
 FIG. 7 is a bottom plan elevation view thereof.  
 FIG. 8 is a rear perspective view in a configuration usable for temporary fastening to a surface.  
 FIG. 9 is a rear elevation view thereof.  
 FIG. 10 is a front perspective view in a configuration usable for temporary mounting to a surface and with a squeegee part thereof removed; and,  
 FIG. 11 is a front elevation view thereof in which the mirror is releasably attached to a surface.  
 The broken lines in the drawings illustrate the environment of the claimed design and form no part thereof.

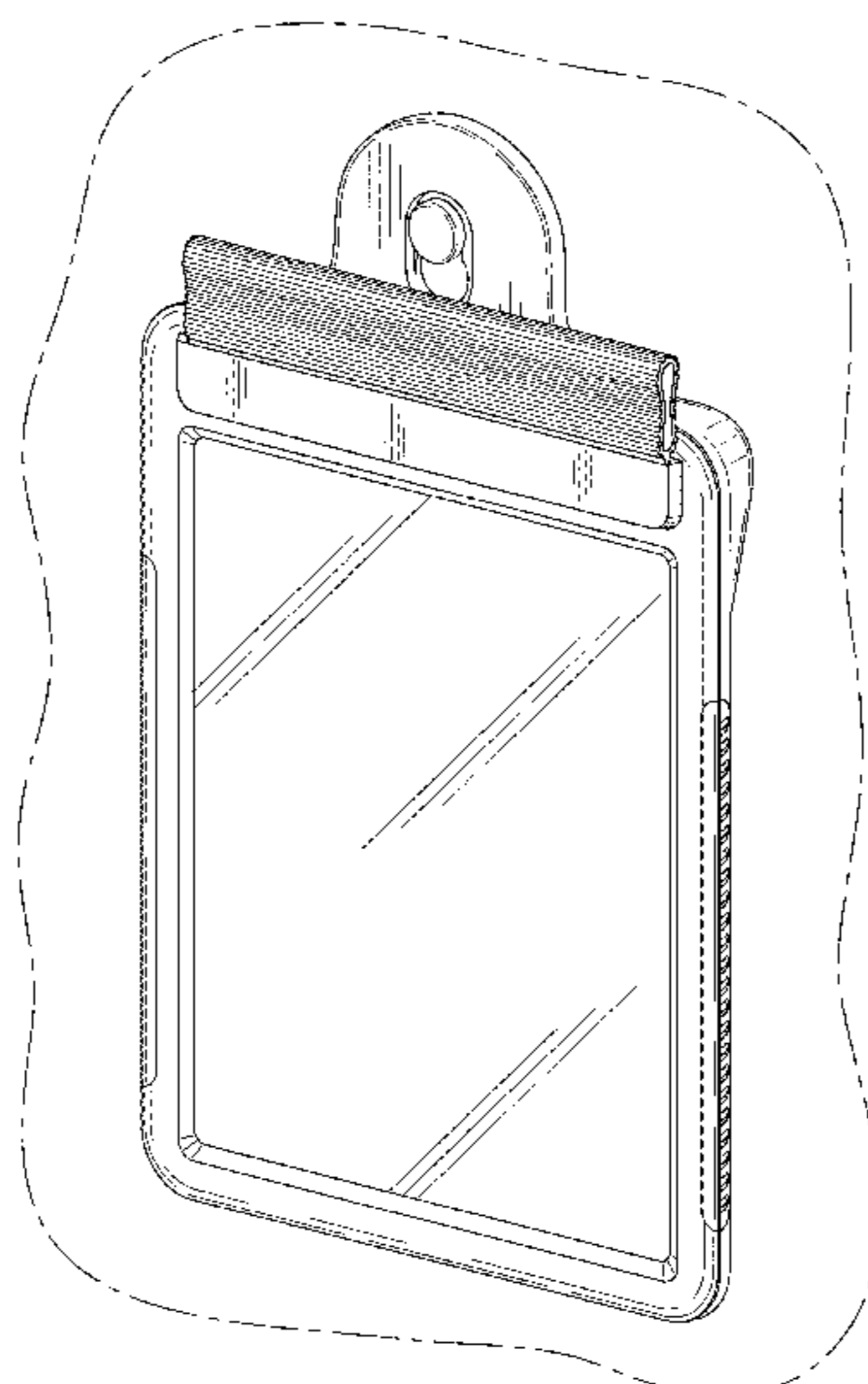
- (\*\*) Term: **15 Years**
- (21) Appl. No.: **29/597,663**
- (22) Filed: **Mar. 17, 2017**
- (51) **LOC (11) Cl.** ..... **06-07**
- (52) **U.S. Cl.**  
USPC ..... **D6/300**
- (58) **Field of Classification Search**  
USPC ..... D6/300–314  
CPC ... A47G 1/00; A47G 1/02; A47G 1/06; A47G 1/0616; A47G 1/14; A47G 1/141; A45D 42/00; A45D 42/08; A45D 42/14; A45D 42/16; A45D 42/10  
See application file for complete search history.

(56) **References Cited**

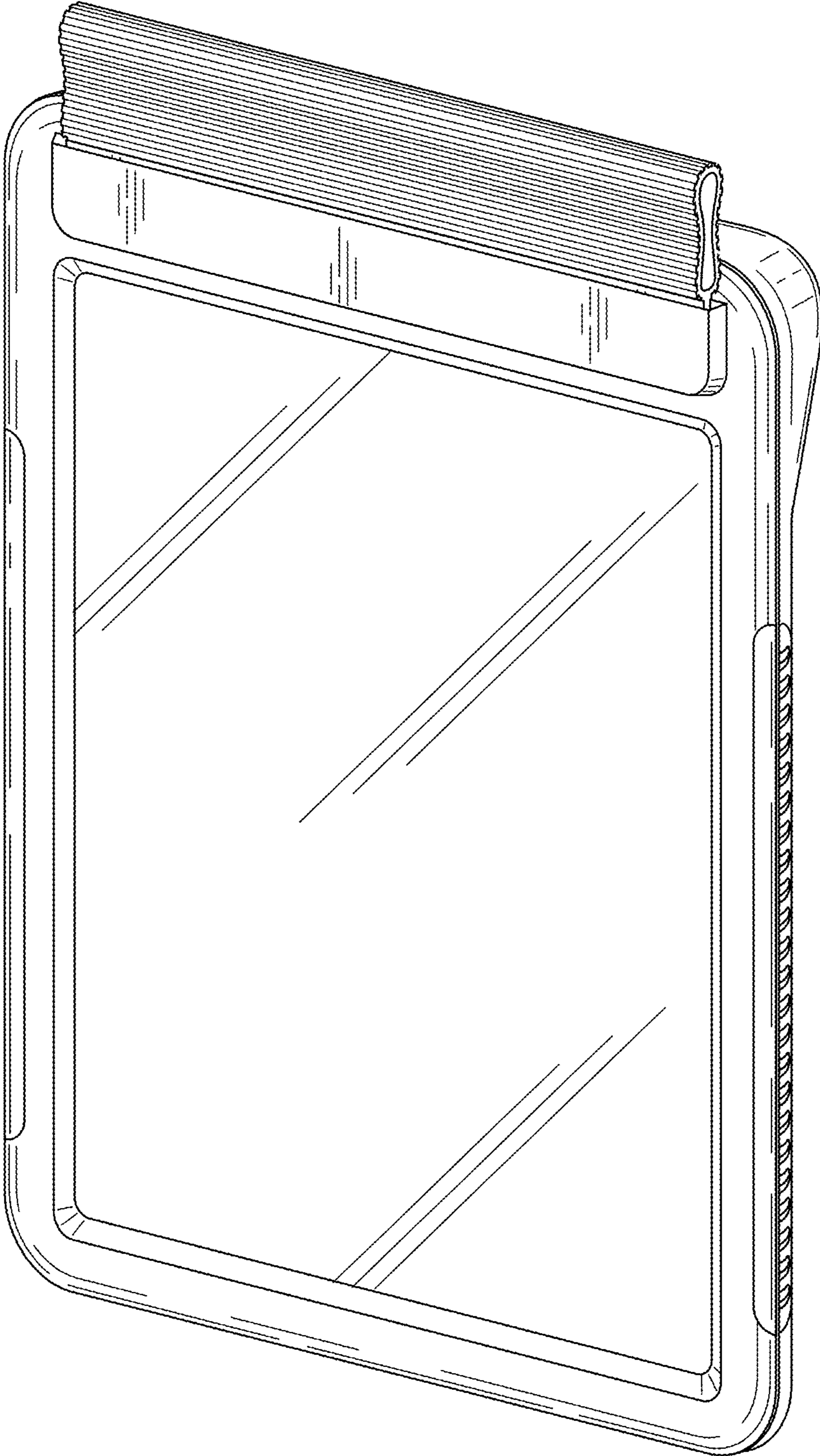
**U.S. PATENT DOCUMENTS**

- D321,361 S \* 11/1991 Iino ..... D16/235
- D370,354 S \* 6/1996 Deakyne ..... D6/300
- D384,655 S \* 10/1997 Knoop ..... D19/88
- 6,619,805 B1 \* 9/2003 Roth ..... G02B 7/181  
132/291
- D495,152 S \* 8/2004 Pulini ..... D6/312
- D506,877 S \* 7/2005 Snell ..... D6/300

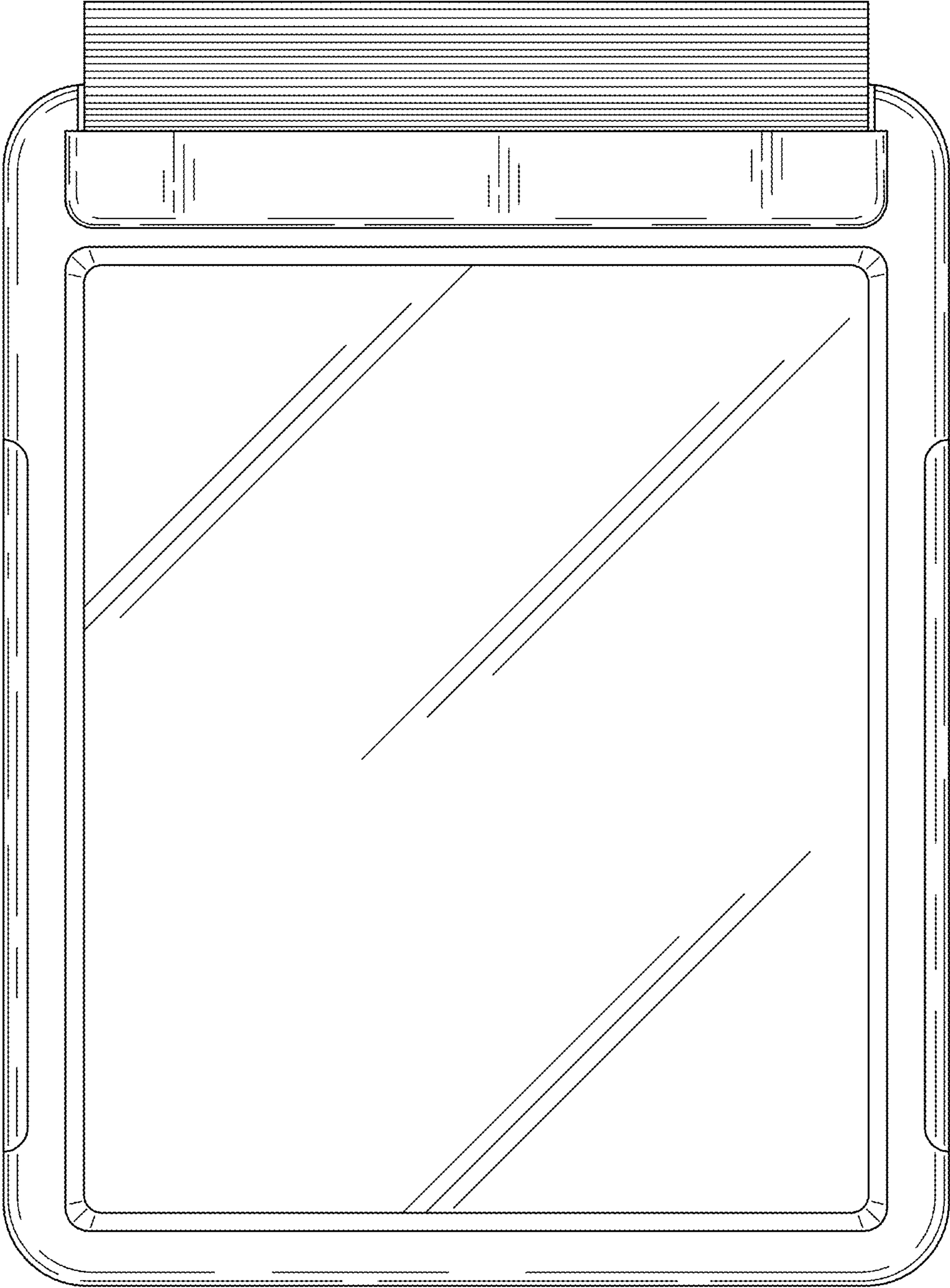
**1 Claim, 9 Drawing Sheets**



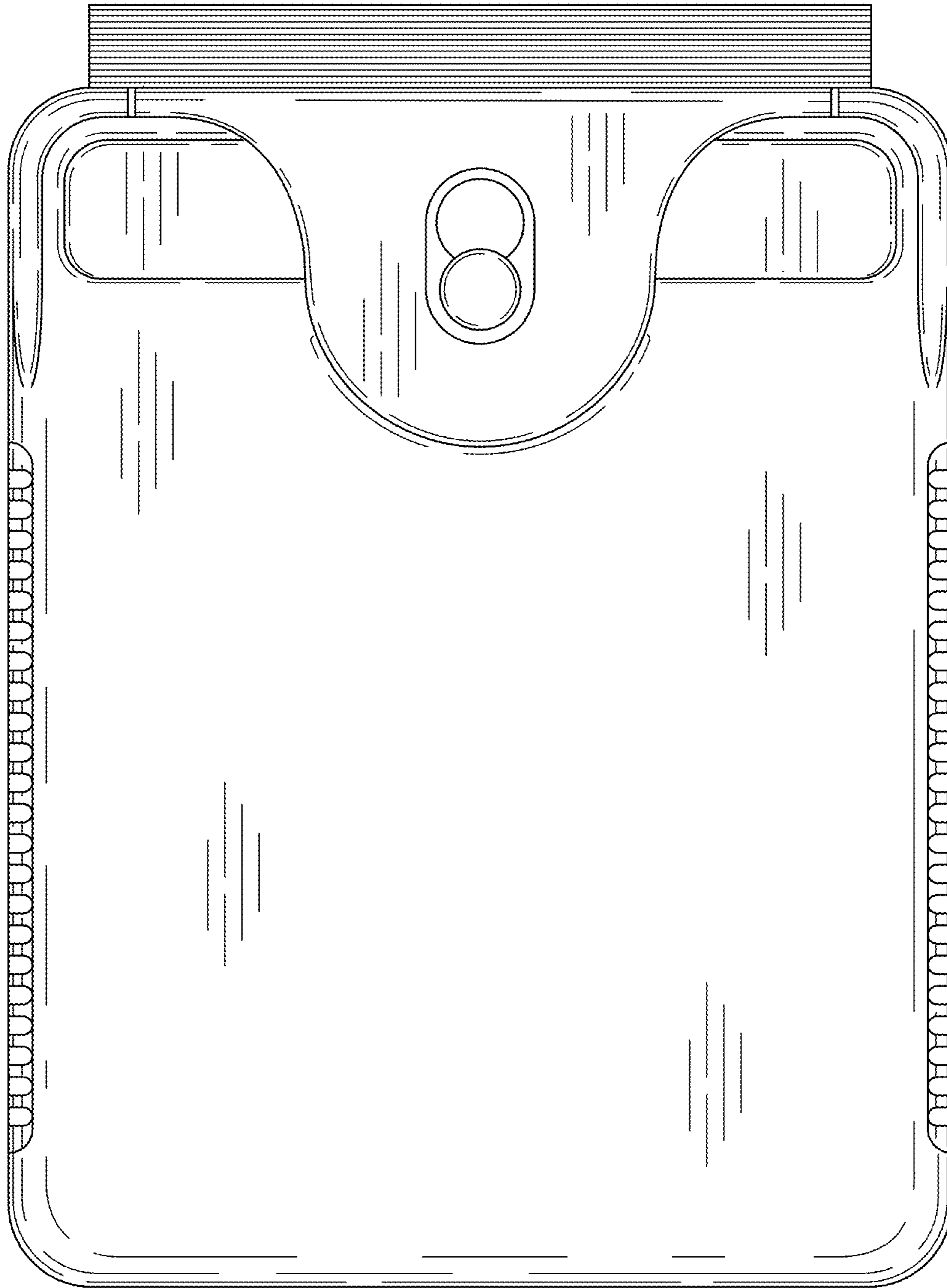
*Fig. 1*



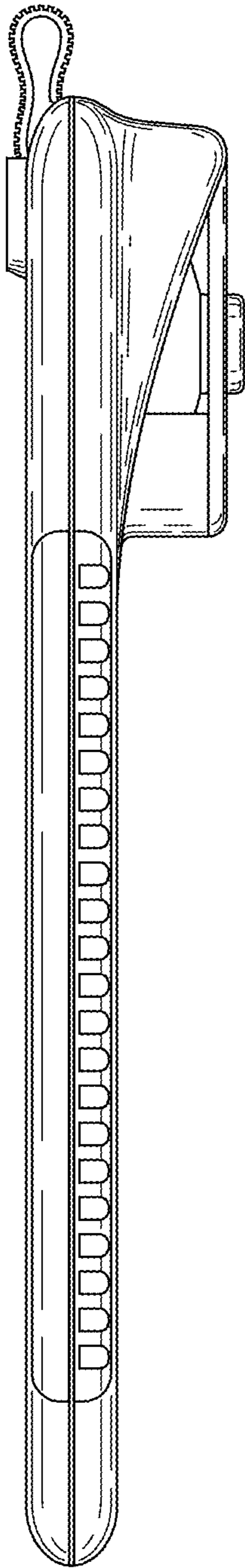
*Fig. 2*



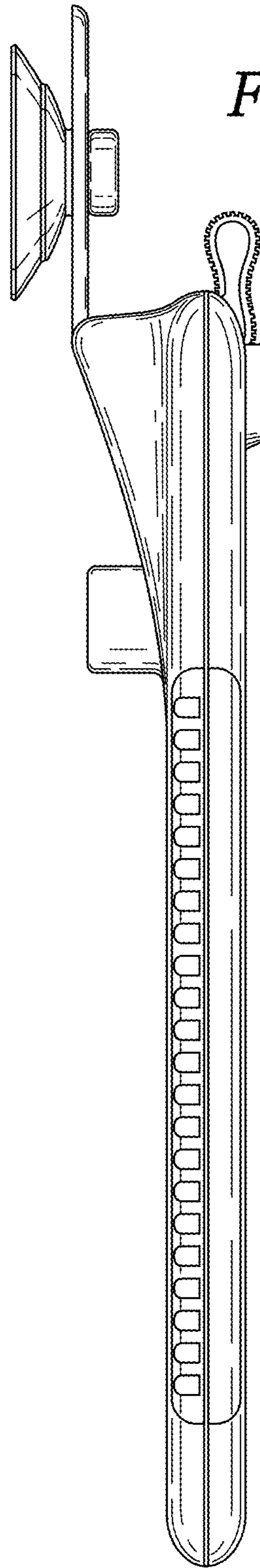
*Fig. 3*



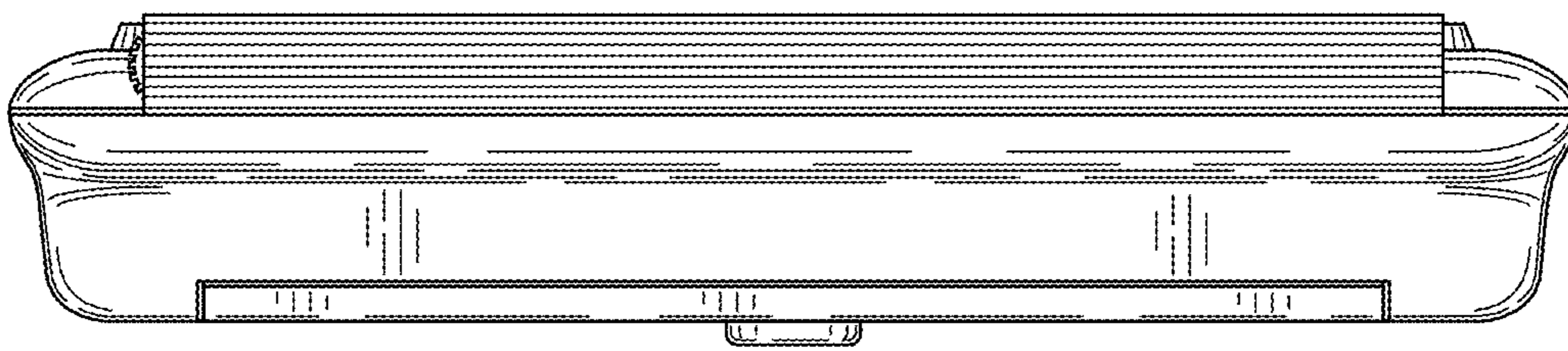
*Fig. 4*



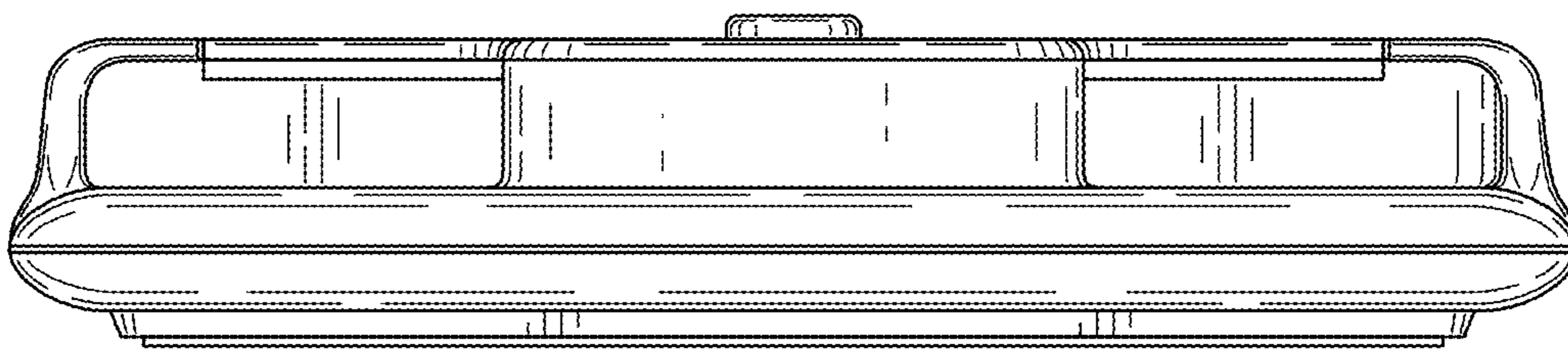
*Fig. 5*



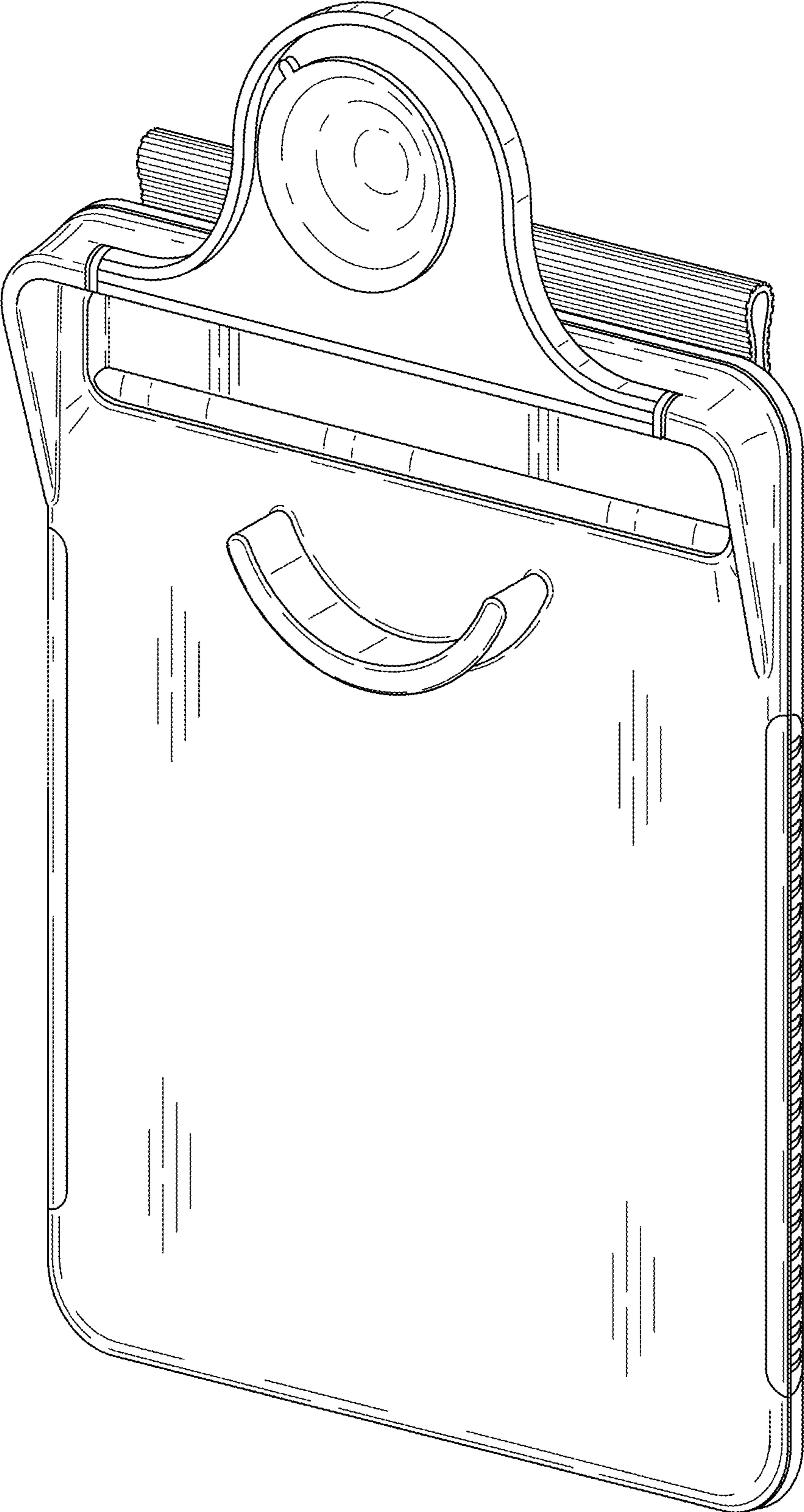
*Fig. 6*



*Fig. 7*



*Fig. 8*



*Fig. 9*

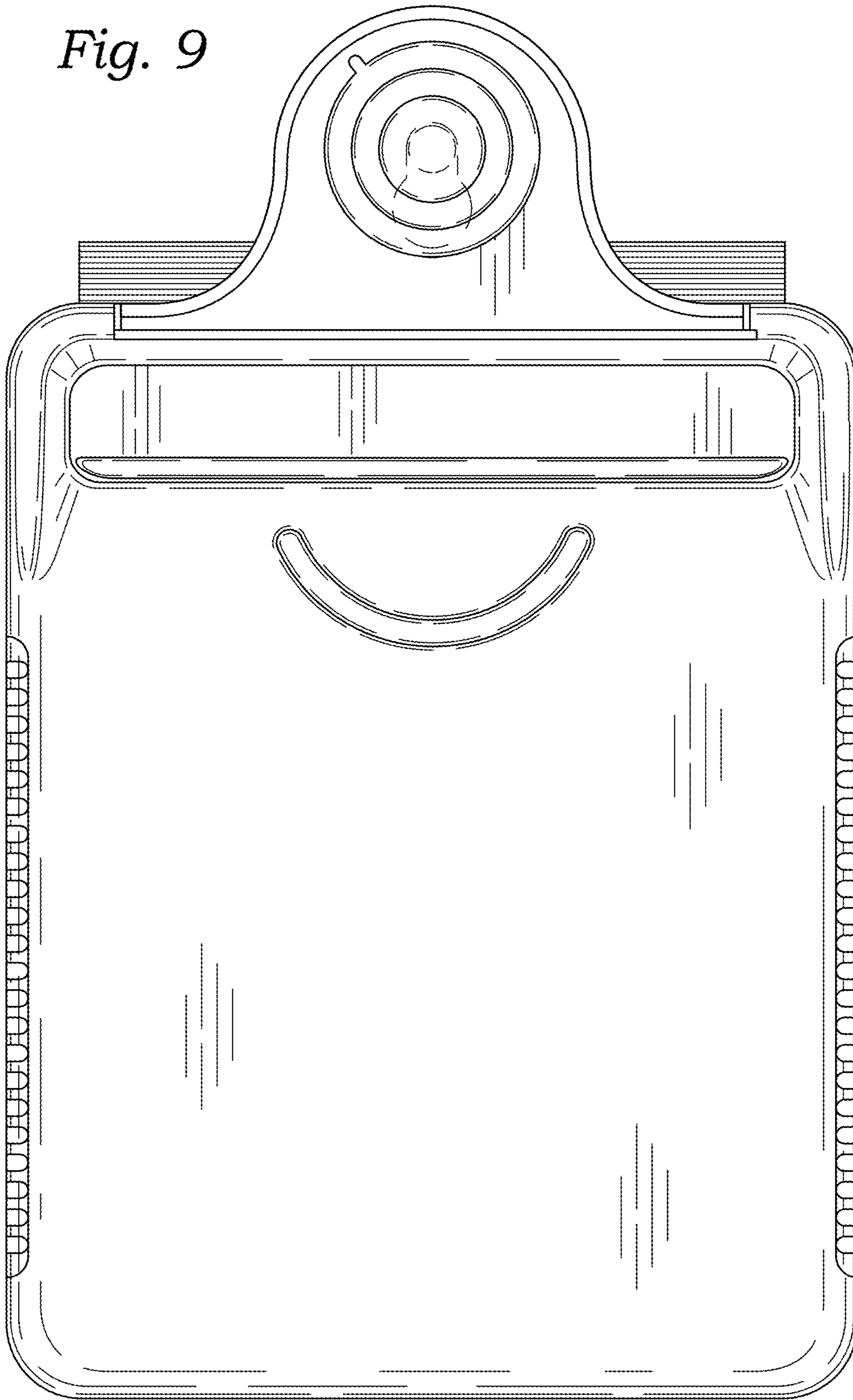
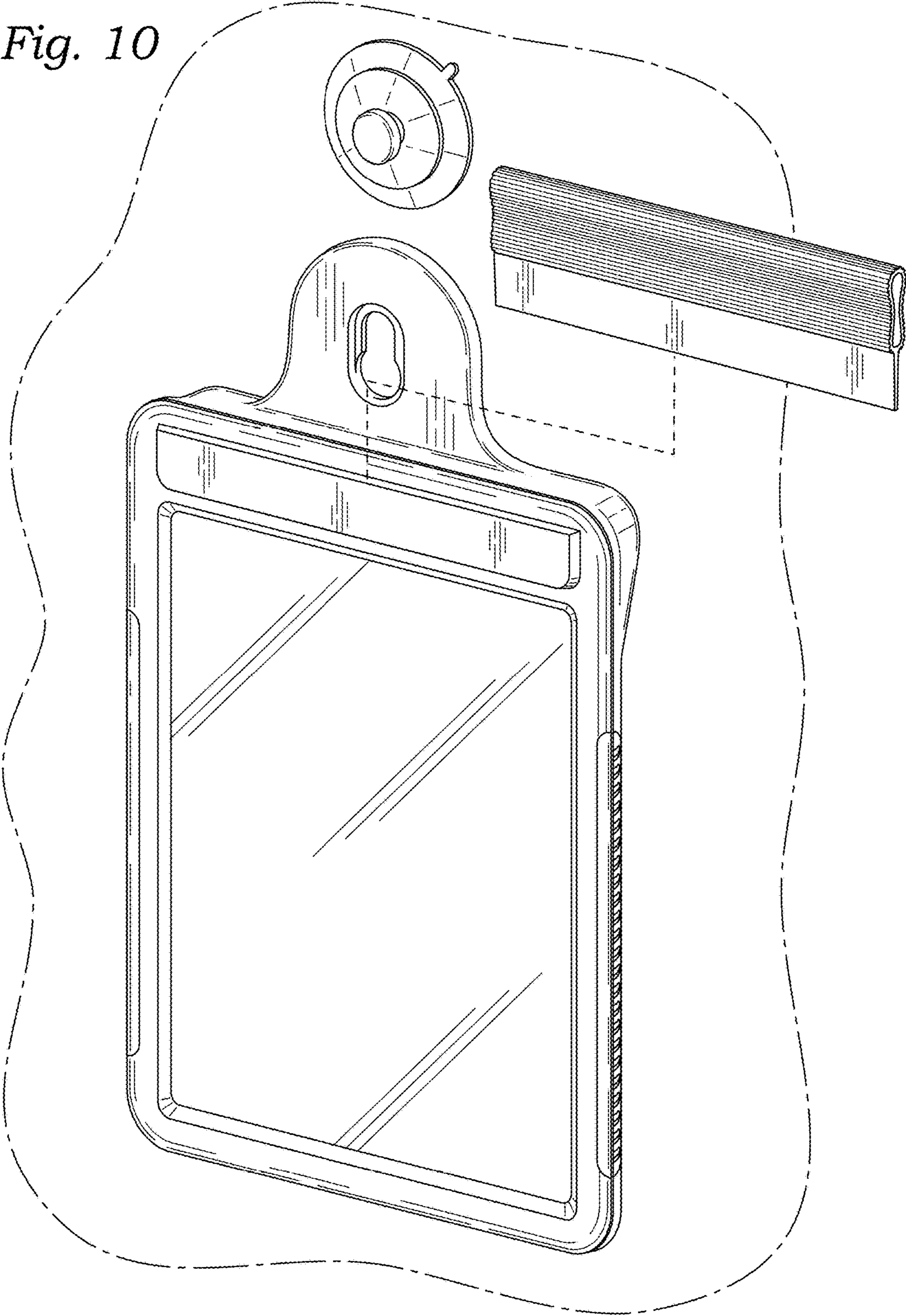




Fig. 10



*Fig. 11*

