



US00D830067S

(12) **United States Design Patent** (10) **Patent No.:** **US D830,067 S**
Harrington (45) **Date of Patent:** **** Oct. 9, 2018**

- (54) **BRUSH HANDLE**
- (71) Applicant: **Unger Marketing International, LLC**,
Bridgeport, CT (US)
- (72) Inventor: **William Harrington**, Charlestown, RI
(US)
- (73) Assignee: **Unger Marketing International, LLP**,
Bridgeport, CT (US)

- D227,827 S 7/1973 Lindbo
- 3,751,094 A 8/1973 Bohler
- 4,197,611 A 4/1980 Bell
- D258,861 S 4/1981 Bratton
- 4,721,021 A 1/1988 Kuszniir
- 4,739,536 A 4/1988 Bandera
- D296,496 S 7/1988 Stirling
- D308,157 S 5/1990 Maxian
- 4,974,286 A 12/1990 Stowell
- D333,239 S 2/1993 Pogue

(Continued)

(**) Term: **15 Years**

OTHER PUBLICATIONS

(21) Appl. No.: **29/592,566**

Notice of Allowance in U.S. Appl. No. 29/485,934 dated Jul. 21, 2015.

(22) Filed: **Jan. 31, 2017**

(51) **LOC (11) Cl.** **04-99**

Primary Examiner — Wan Laymon

(52) **U.S. Cl.**

Assistant Examiner — Clint A Samuel

USPC **D4/138**

(74) *Attorney, Agent, or Firm* — Ohlandt, Greeley,
Ruggiero and Perle, LLP

(58) **Field of Classification Search**

USPC D4/104–113, 116, 117, 121, 123, 129,
D4/130–138; D8/67, 71, 80, 83, 94, 97,
D8/105, 107, 300, 301, 303, 307–321;
D24/147, 152; 15/DIG. 10; 16/421, 422,
16/430, 436; 132/119–121, 123, 137,
132/142, 151, 271, 308, 309, 311, 313
CPC A46B 5/00; A46B 7/00; A46B 7/04; A46B
17/02; A46B 22/202; B25G 1/00; B25G
3/00; B25G 3/02; B25G 3/04; B25G
3/06; B25G 3/08; B25G 3/10; B25G
3/12; Y10S 16/12; Y10S 16/18; Y10S
16/19; Y10S 16/90; Y10T 16/00

See application file for complete search history.

(57) **CLAIM**

The ornamental design for a brush handle, as shown and described.

DESCRIPTION

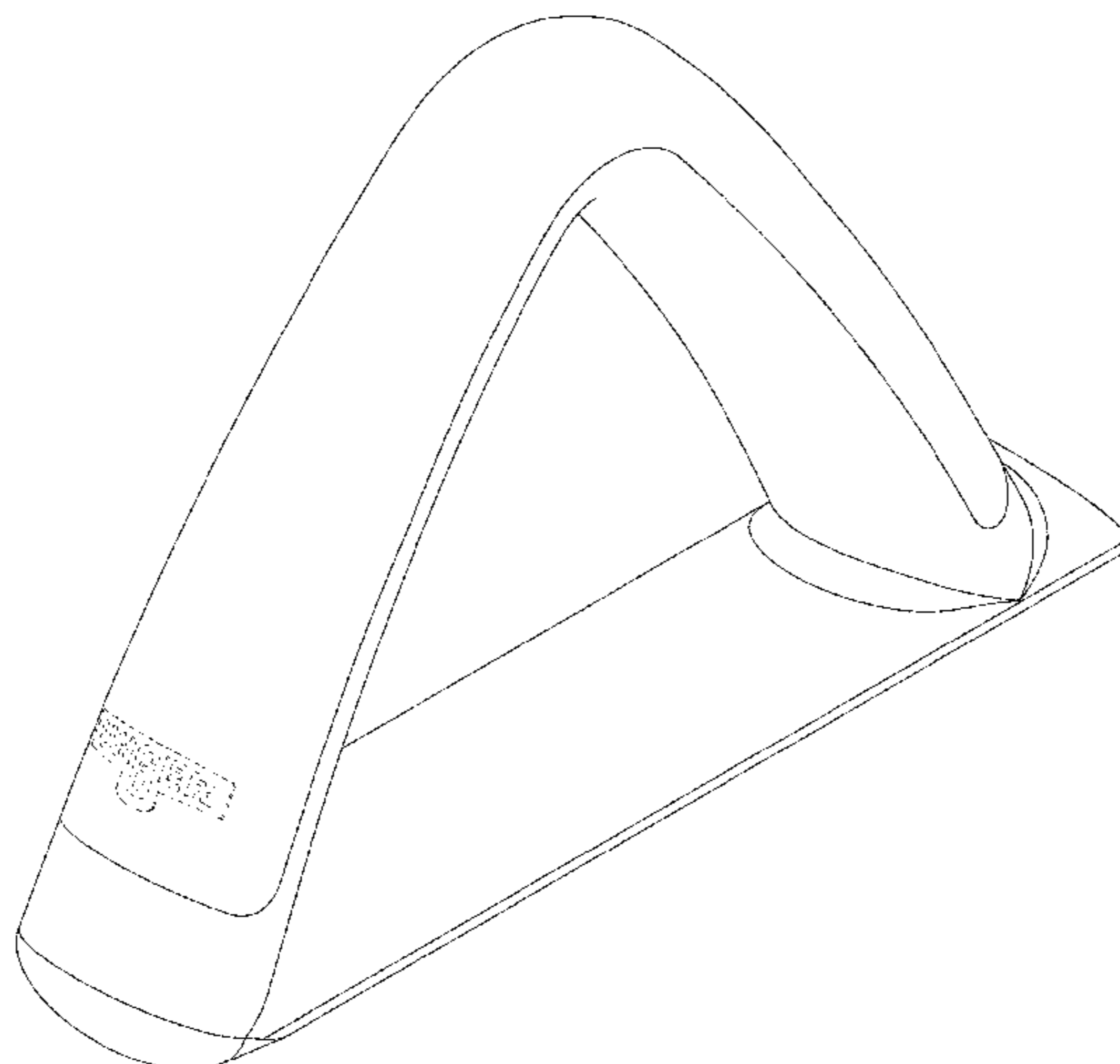
FIG. 1 is a first top perspective view of a brush handle according to the present disclosure;
 FIG. 2 is a second top perspective view of the brush handle of FIG. 1;
 FIG. 3 is a bottom perspective view of the brush handle of FIG. 1;
 FIG. 4 is a side view of the brush handle of FIG. 1, the opposite side being identical thereto;
 FIG. 5 is a front view of the brush handle of FIG. 1;
 FIG. 6 is a rear view of the brush handle of FIG. 1;
 FIG. 7 is a top view of the brush handle of FIG. 1; and,
 FIG. 8 is a bottom view of the brush handle of FIG. 1.
 The broken lines shown in the drawings are for illustration only and form no part of the claimed design.

(56) **References Cited**

U.S. PATENT DOCUMENTS

- D20,551 S 3/1891 Schmidt
- D20,553 S 3/1891 Schmidt
- D22,310 S 3/1893 Stein
- 1,796,249 A * 3/1931 Gillaspay B23D 71/00
16/422
- D212,668 S 11/1968 Miller

1 Claim, 6 Drawing Sheets



(56)

References Cited

U.S. PATENT DOCUMENTS

D338,814 S *	8/1993	Wright, Jr.	D8/107	D508,631 S	8/2005	Cuillery	
D354,881 S	1/1995	Huff		D509,991 S	9/2005	Costello	
D361,695 S	8/1995	Sutker		D520,852 S	5/2006	Minkler	
5,446,941 A	9/1995	Kelsay		D528,398 S *	9/2006	Meyer	D8/107
D373,506 S	9/1996	Viemeister		D531,876 S *	11/2006	Jimenez	D8/107
D380,345 S	7/1997	Lu		D534,725 S	1/2007	Vu	
D384,242 S	9/1997	Ancona		D553,907 S	10/2007	Catalano	
D389,698 S	1/1998	Cohen		D554,817 S	11/2007	Talesfore	
D396,168 S	7/1998	Cohen		D557,084 S	12/2007	Yamanaka	
D399,388 S	10/1998	Cohen		D562,516 S	2/2008	Talesfore	
5,853,010 A	12/1998	Suh		D579,209 S	10/2008	Krause	
5,857,241 A	1/1999	Camp, Jr.		D584,061 S	1/2009	Meyer	
D406,491 S	3/1999	Cohen		D586,877 S	2/2009	Li	
D411,343 S	6/1999	Brightbill		D586,962 S	2/2009	Li	
D411,410 S	6/1999	Pedrini		D591,956 S	5/2009	Treacy	
5,964,009 A	10/1999	Hoepfl		D592,932 S *	5/2009	Jones	D8/301
D417,083 S	11/1999	Yun		D592,933 S *	5/2009	Jones	D8/301
D426,134 S	6/2000	Pytlewski		D593,395 S *	6/2009	Jones	D8/301
D431,753 S	10/2000	Cohen		D594,274 S	6/2009	McKenzie	
D434,231 S	11/2000	Chen		D597,316 S	8/2009	Borovicka	
RE37,190 E	5/2001	Stowell		D606,320 S	12/2009	Meyer	
6,237,193 B1	5/2001	Skerker		D607,169 S	12/2009	Weis	
6,256,828 B1	7/2001	Sauer		7,674,418 B2	3/2010	Matsumoto	
D446,025 S	8/2001	Petner		D616,649 S	6/2010	Lin	
6,273,626 B1	8/2001	Yazawa		D624,264 S	9/2010	Li	
D448,176 S	9/2001	Petner		D630,888 S	1/2011	Bodum	
D454,251 S	3/2002	De Swarte		D634,426 S	3/2011	Zollers	
6,352,662 B1	3/2002	Murphy		D647,703 S	11/2011	Li	
D461,058 S	8/2002	Hay		D650,955 S	12/2011	Chapman	
D466,786 S *	12/2002	Bourgeois	D8/107	D662,389 S *	6/2012	Hauber	D8/319
D466,787 S *	12/2002	Clancy	D8/301	8,215,945 B2	7/2012	Matsumoto	
6,633,309 B2	10/2003	Lau		D678,032 S *	3/2013	Coplan	D8/301
D500,600 S	1/2005	Hay		D694,021 S	11/2013	Weaver	
D500,927 S	1/2005	Hay		D734,123 S	7/2015	Chen	
D502,002 S	2/2005	Conway		D743,702 S	11/2015	Harrington	
D502,324 S	3/2005	Conway		D744,242 S	12/2015	Harrington	
D505,268 S *	5/2005	Potempa	D4/129	D744,243 S	12/2015	Harrington	
				D744,760 S	12/2015	Harrington	
				D754,976 S *	5/2016	Harrington	D4/138

* cited by examiner

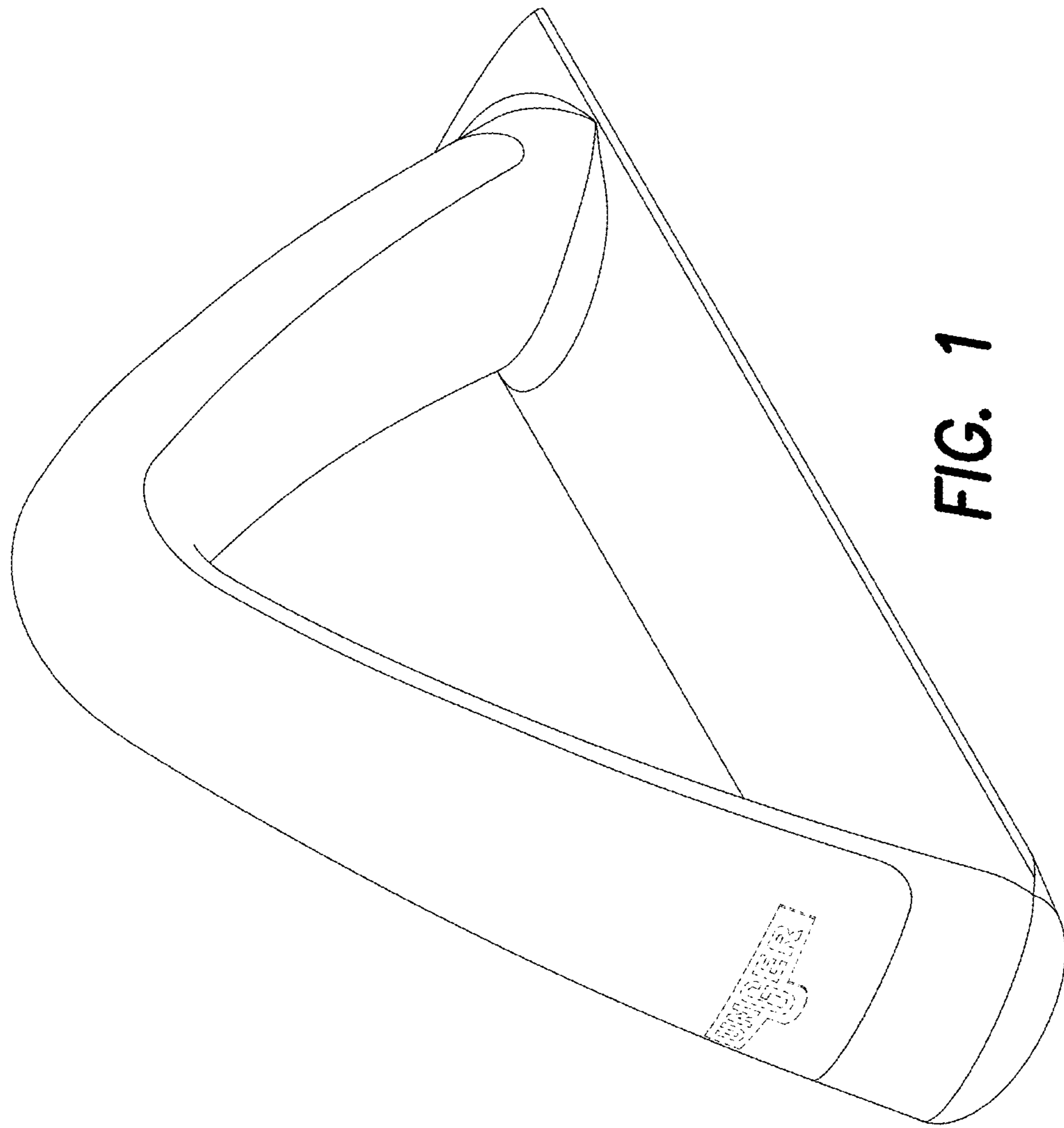


FIG. 1

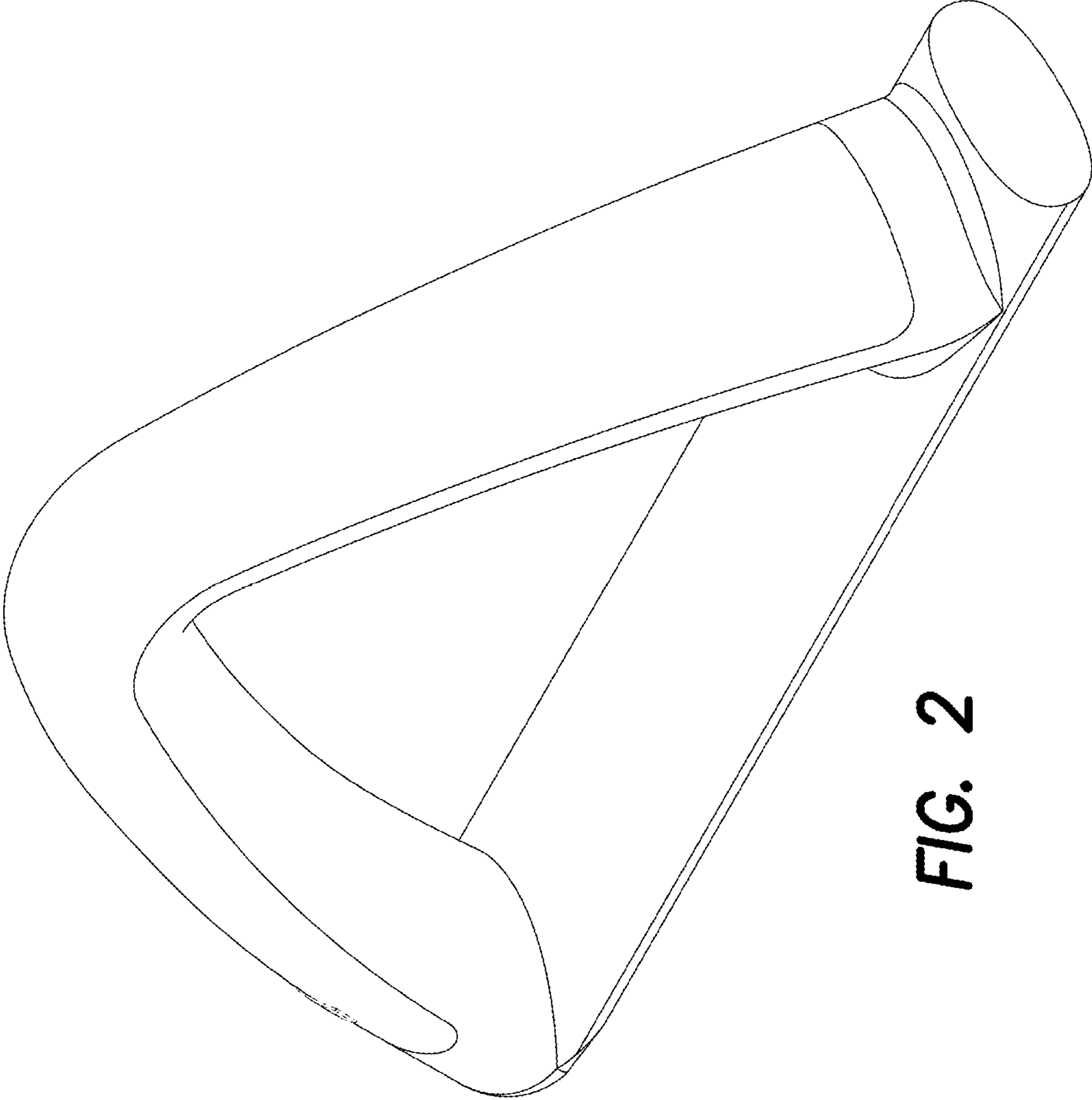


FIG. 2

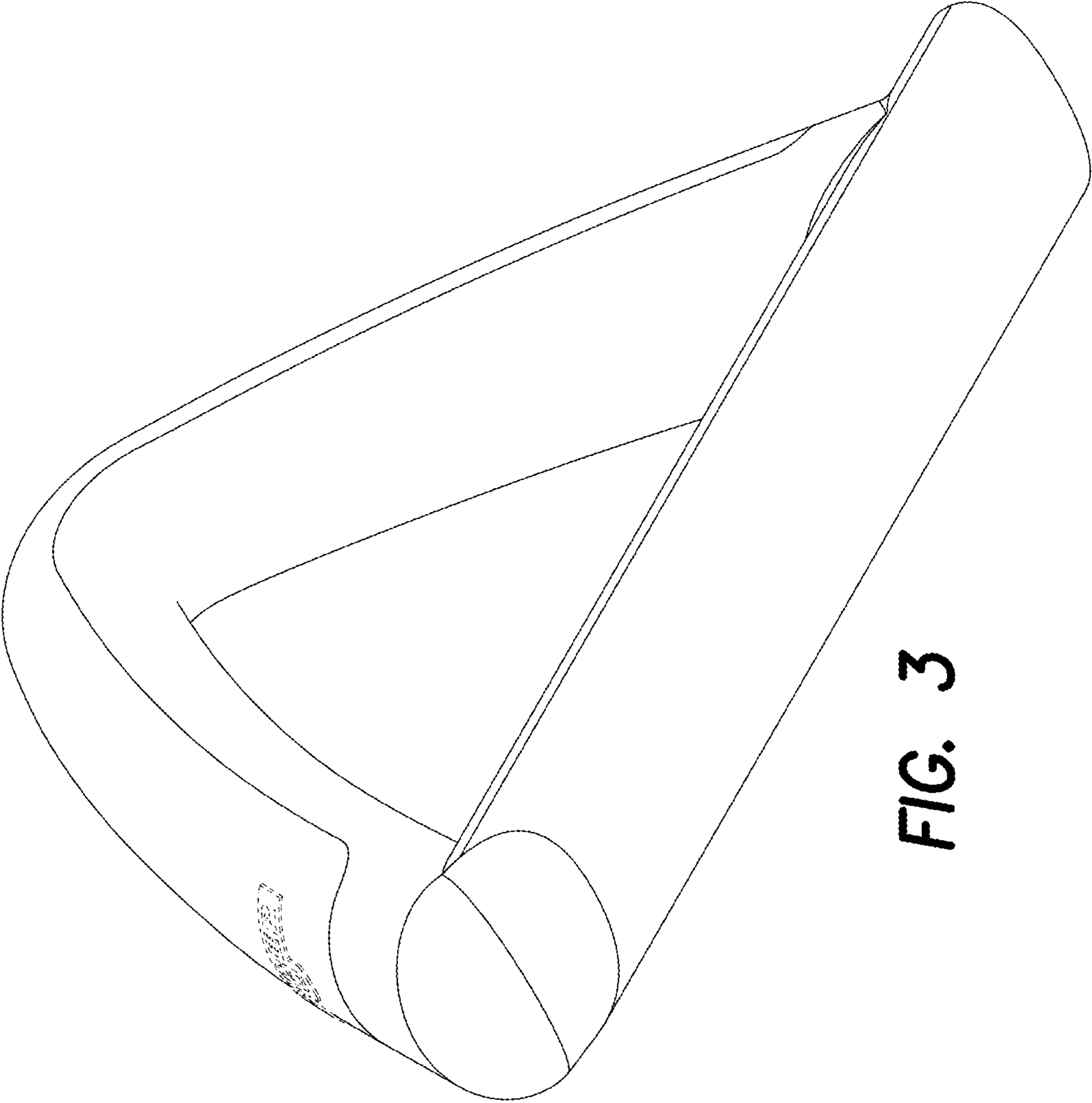


FIG. 3

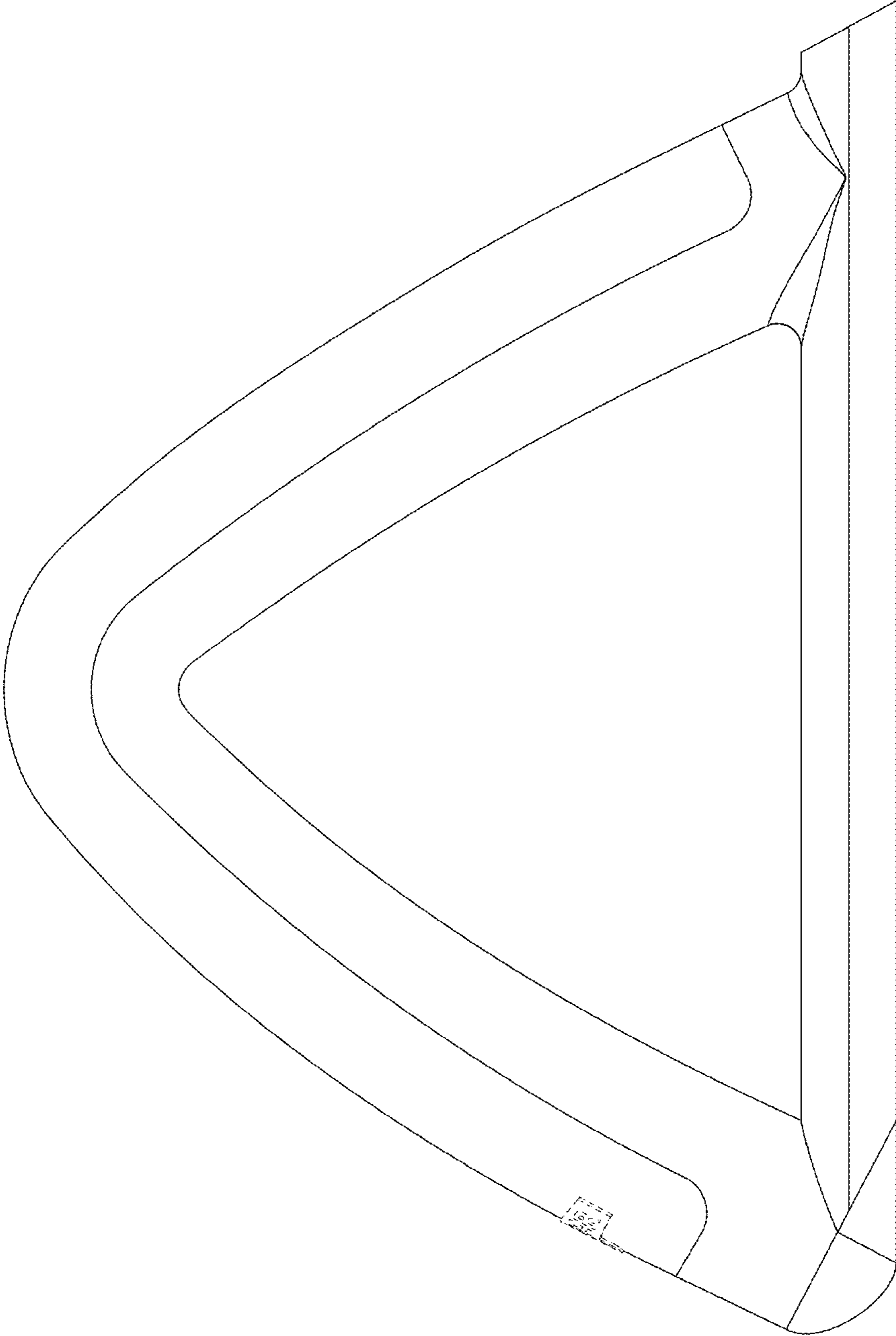


FIG. 4

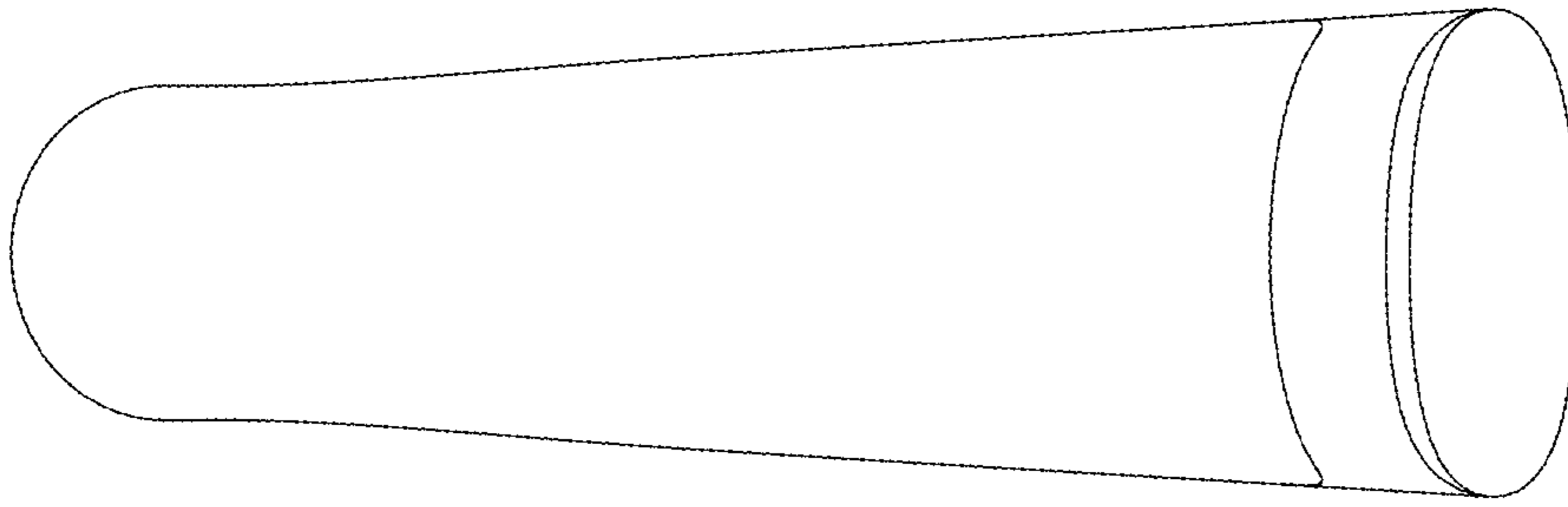


FIG. 6

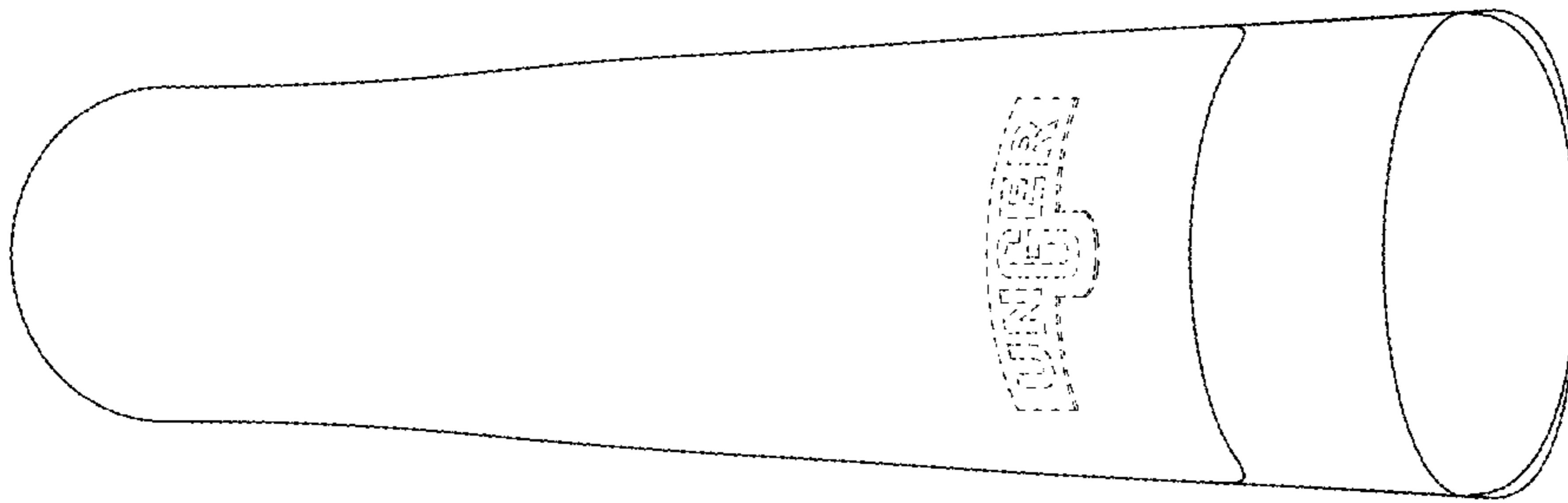


FIG. 5

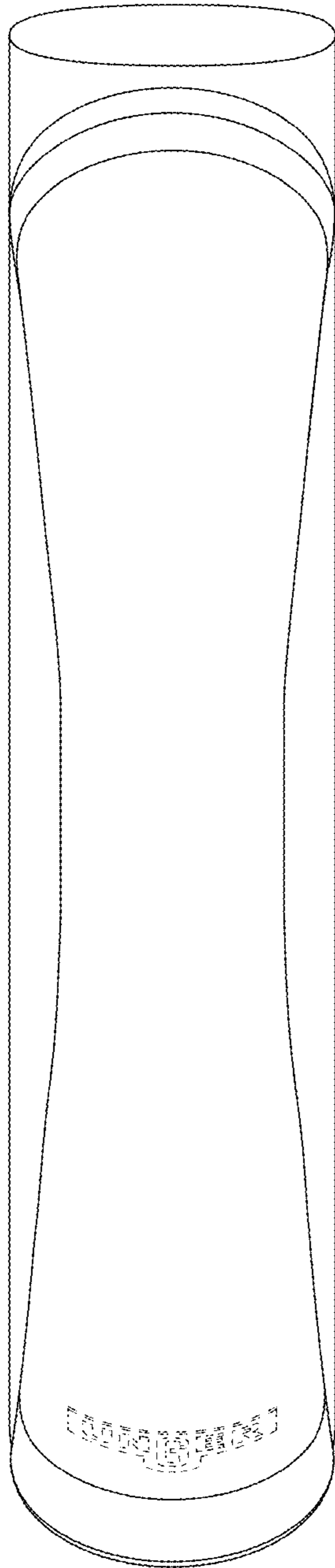


FIG. 7

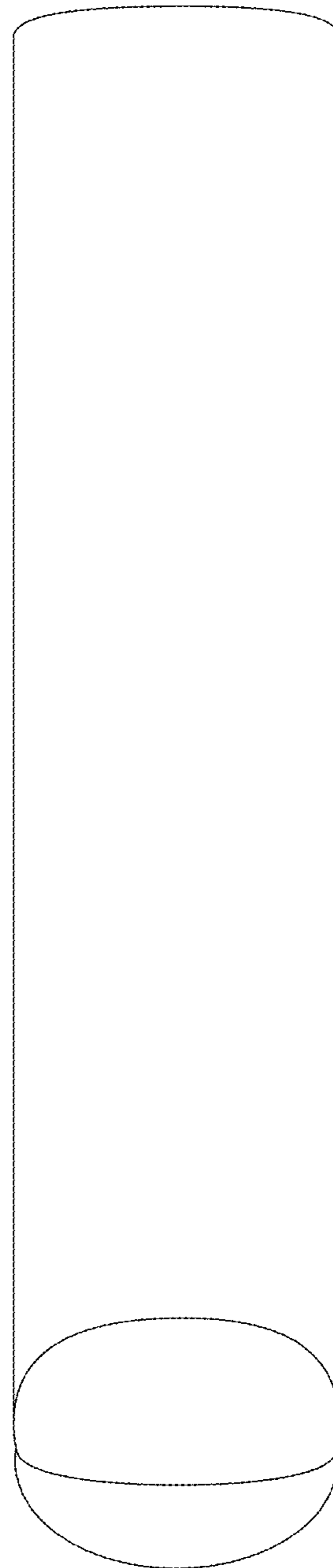


FIG. 8