



US00D830066S

(12) **United States Design Patent**
Harrington

(10) **Patent No.:** **US D830,066 S**

(45) **Date of Patent:** **** Oct. 9, 2018**

- (54) **BRUSH HANDLE**
- (71) Applicant: **Unger Marketing International, LLC**,
Bridgeport, CT (US)
- (72) Inventor: **William Harrington**, Charlestown, RI
(US)
- (73) Assignee: **Unger Marketing International, LLP**,
Bridgeport, CT (US)

- D227,827 S 7/1973 Lindbo
- 3,751,094 A 8/1973 Buhler
- 4,197,611 A 4/1980 Bell
- D258,861 S 4/1981 Bratton
- 4,721,021 A 1/1988 Kuszniir
- 4,739,536 A 4/1988 Bandera
- D296,496 S 7/1988 Stirling
- D308,157 S 5/1990 Maxian

(Continued)

- (**) Term: **15 Years**
- (21) Appl. No.: **29/592,556**
- (22) Filed: **Jan. 31, 2017**
- (51) **LOC (11) Cl.** **04-99**
- (52) **U.S. Cl.**
USPC **D4/138**
- (58) **Field of Classification Search**
USPC D4/104-113, 116, 117, 121, 123, 129,
D4/130-138; D8/67, 71, 80, 83, 94, 97,
D8/105, 107, 300, 301, 303, 307-321;
D24/147, 152; 15/DIG. 10; 16/421, 422,
16/430, 436; 132/119-121, 123, 137,
132/142, 151, 271, 308, 309, 311, 313
CPC A46B 5/00; A46B 7/00; A46B 7/04; A46B
17/02; A46B 22/202; B25G 1/00; B25G
3/00; B25G 3/02; B25G 3/04; B25G
3/06; B25G 3/08; B25G 3/10; B25G
3/12; Y10S 16/12; Y10S 16/18; Y10S
16/19; Y10S 16/90; Y10T 16/00
See application file for complete search history.

(56) **References Cited**

U.S. PATENT DOCUMENTS

- D20,551 S 3/1891 Schmidt
- D20,553 S 3/1891 Schmidt
- D22,310 S 3/1893 Stein
- 1,796,249 A * 3/1931 Gillaspay B23D 71/00
16/422
- D212,668 S 11/1968 Miller

OTHER PUBLICATIONS

Notice of Allowance in U.S. Appl. No. 29/485,934 dated Jul. 21, 2015.

Primary Examiner — Wan Laymon

Assistant Examiner — Clint A Samuel

(74) *Attorney, Agent, or Firm* — Ohlandt, Greeley,
Ruggiero & Perle, LLP

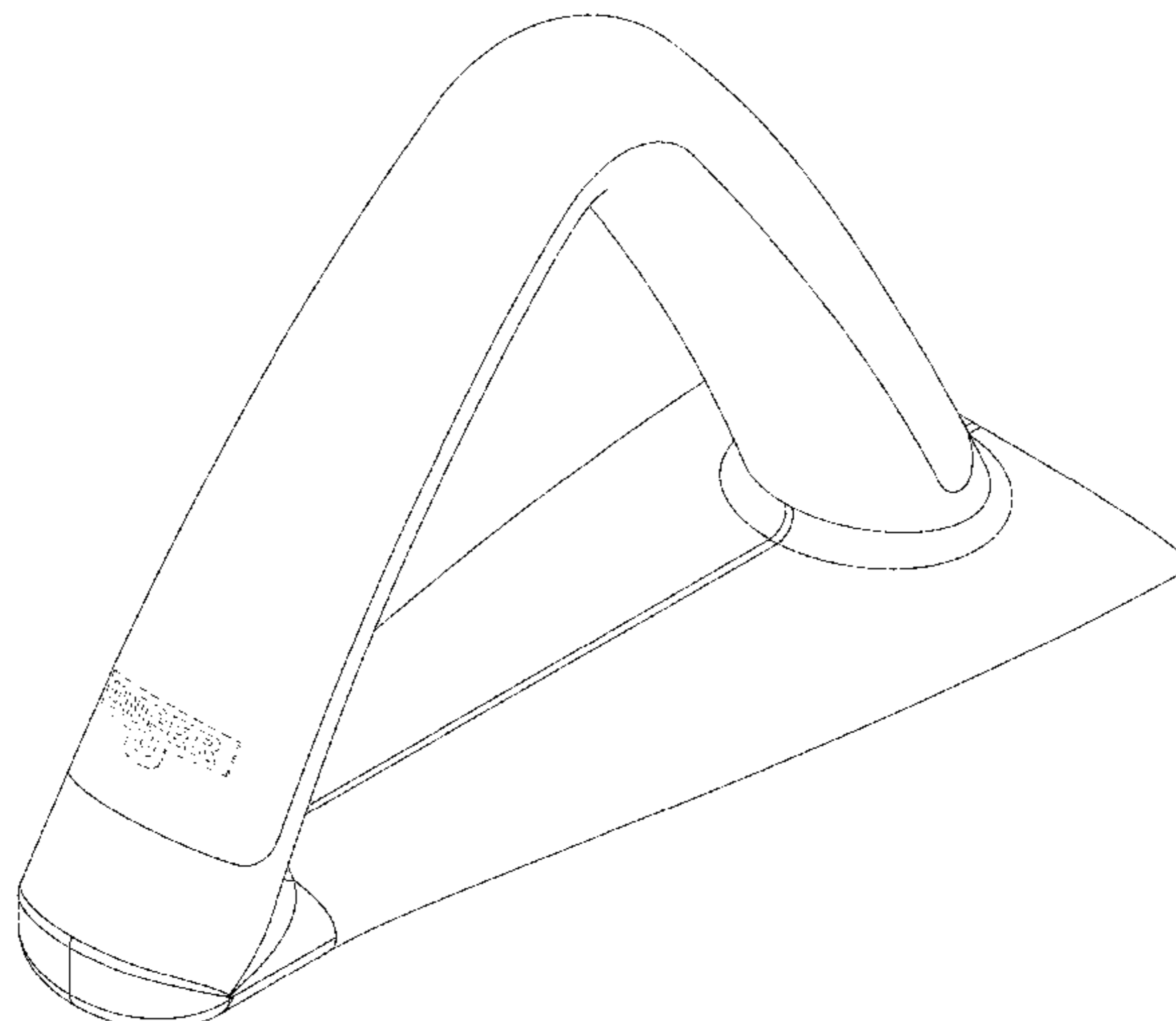
(57) **CLAIM**

The ornamental design for a brush handle, as shown and described.

DESCRIPTION

FIG. 1 is a first top perspective view of a brush handle according to the present disclosure;
 FIG. 2 is a second top perspective view of the brush handle of FIG. 1;
 FIG. 3 is a first bottom perspective view of the brush handle of FIG. 1;
 FIG. 4 is a first bottom perspective view of the brush handle of FIG. 1;
 FIG. 5 is a side view of the brush handle of FIG. 1, the opposite side being identical thereto;
 FIG. 6 is a front view of the brush handle of FIG. 1;
 FIG. 7 is a rear view of the brush handle of FIG. 1;
 FIG. 8 is a top view of the brush handle of FIGS. 1; and,
 FIG. 9 is a bottom view of the brush handle of FIG. 1.
 The broken lines shown in the drawings are for illustration only and form no part of the claimed design.

1 Claim, 8 Drawing Sheets



(56)

References Cited

U.S. PATENT DOCUMENTS

4,974,286 A 12/1990 Stowell
 D333,239 S 2/1993 Pogue
 D338,814 S * 8/1993 Wright, Jr. D8/107
 D354,881 S 1/1995 Huff
 D361,695 S 8/1995 Sutker
 5,446,941 A 9/1995 Kelsay
 D373,506 S 9/1996 Viemeister
 D380,345 S 7/1997 Lu
 D384,242 S 9/1997 Ancona
 D389,698 S 1/1998 Cohen
 D396,168 S 7/1998 Cohen
 D399,388 S 10/1998 Cohen
 5,853,010 A 12/1998 Suh
 5,857,241 A 1/1999 Camp, Jr.
 D406,491 S 3/1999 Cohen
 D411,343 S 6/1999 Brightbill
 D411,410 S 6/1999 Pedrini
 5,964,009 A 10/1999 Hoepfl
 D417,083 S 11/1999 Yun
 D426,134 S 6/2000 Pytlewski
 D431,753 S 10/2000 Cohen
 D434,231 S 11/2000 Chen
 RE37,190 E 5/2001 Stowell
 6,237,193 B1 5/2001 Skerker
 6,256,828 B1 7/2001 Sauer
 D446,025 S 8/2001 Petner
 6,273,626 B1 8/2001 Yazawa
 D448,176 S 9/2001 Petner
 D454,251 S 3/2002 De Swarte
 6,352,662 B1 3/2002 Murphy
 D461,058 S 8/2002 Hay
 D466,786 S * 12/2002 Bourgeois D8/107
 D466,787 S * 12/2002 Clancy D8/301
 6,633,309 B2 10/2003 Lau
 D500,600 S 1/2005 Hay
 D500,927 S 1/2005 Hay
 D502,002 S 2/2005 Conway
 D502,324 S 3/2005 Conway

D505,268 S * 5/2005 Potempa D4/129
 D508,631 S 8/2005 Cuillery
 D509,991 S 9/2005 Costello
 D520,852 S 5/2006 Minkler
 D528,398 S * 9/2006 Meyer D8/107
 D531,876 S * 11/2006 Jimenez D8/107
 D534,725 S 1/2007 Vu
 D553,907 S 10/2007 Catalano
 D554,817 S 11/2007 Talesfore
 D557,084 S 12/2007 Yamanaka
 D562,516 S 2/2008 Talesfore
 D579,209 S 10/2008 Krause
 D584,061 S 1/2009 Meyer
 D586,877 S 2/2009 Li
 D586,962 S 2/2009 Li
 D591,956 S 5/2009 Treacy
 D592,932 S * 5/2009 Jones D8/301
 D592,933 S * 5/2009 Jones D8/301
 D593,395 S * 6/2009 Jones D8/301
 D594,274 S 6/2009 McKenzie
 D597,316 S 8/2009 Borovicka
 D606,320 S 12/2009 Meyer
 D607,169 S 12/2009 Weis
 7,674,418 B2 3/2010 Matsumoto
 D616,649 S 6/2010 Lin
 D624,264 S 9/2010 Li
 D630,888 S 1/2011 Bodum
 D634,426 S 3/2011 Zollers
 D647,703 S 11/2011 Li
 D650,955 S 12/2011 Chapman
 D662,389 S * 6/2012 Hauber D8/319
 8,215,945 B2 7/2012 Matsumoto
 D678,032 S * 3/2013 Coplan D8/301
 D694,021 S 11/2013 Weaver
 D734,123 S 7/2015 Chen
 D743,702 S 11/2015 Harrington
 D744,242 S 12/2015 Harrington
 D744,243 S 12/2015 Harrington
 D744,760 S 12/2015 Harrington
 D754,976 S * 5/2016 Harrington D4/138

* cited by examiner

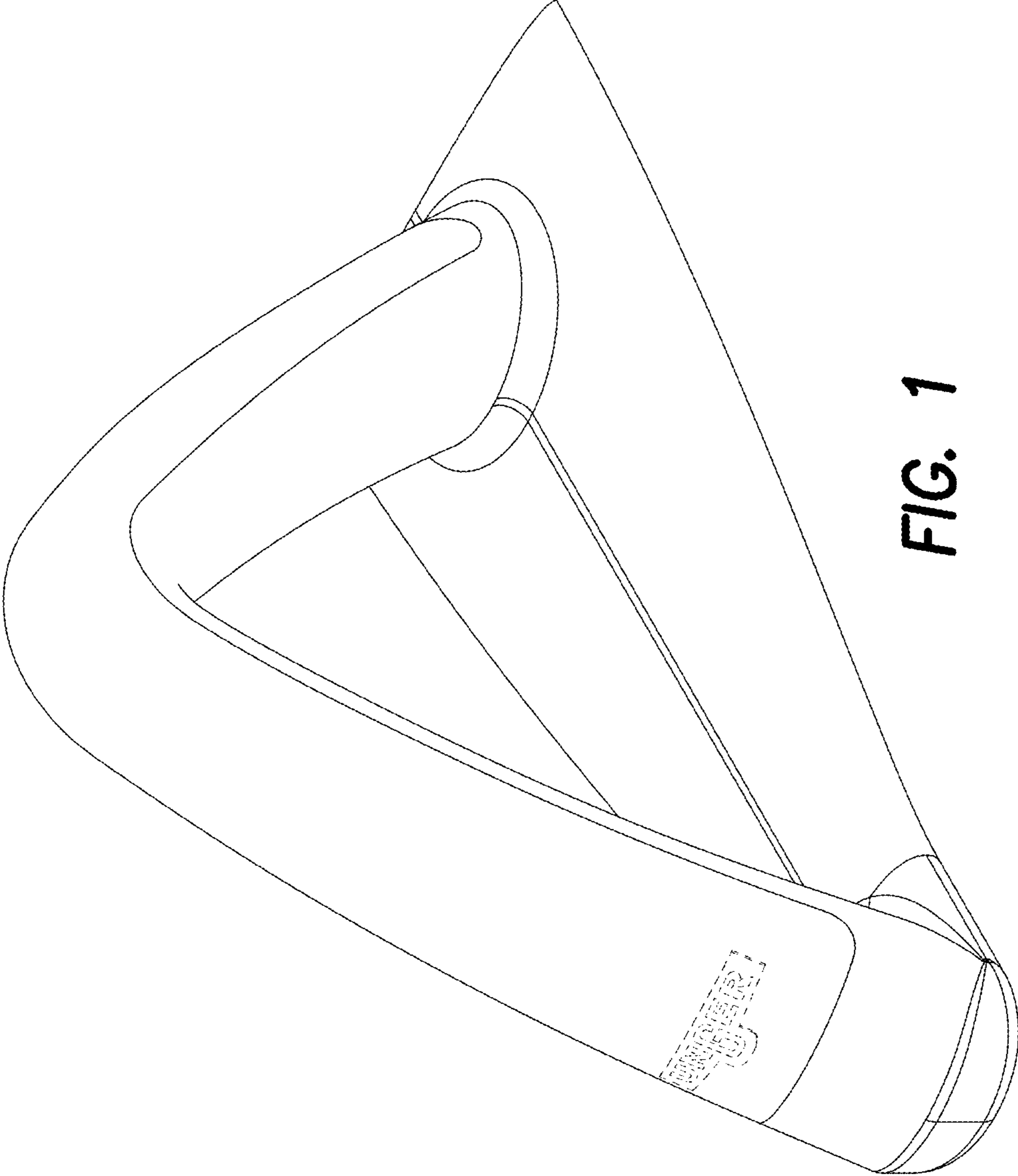


FIG. 1

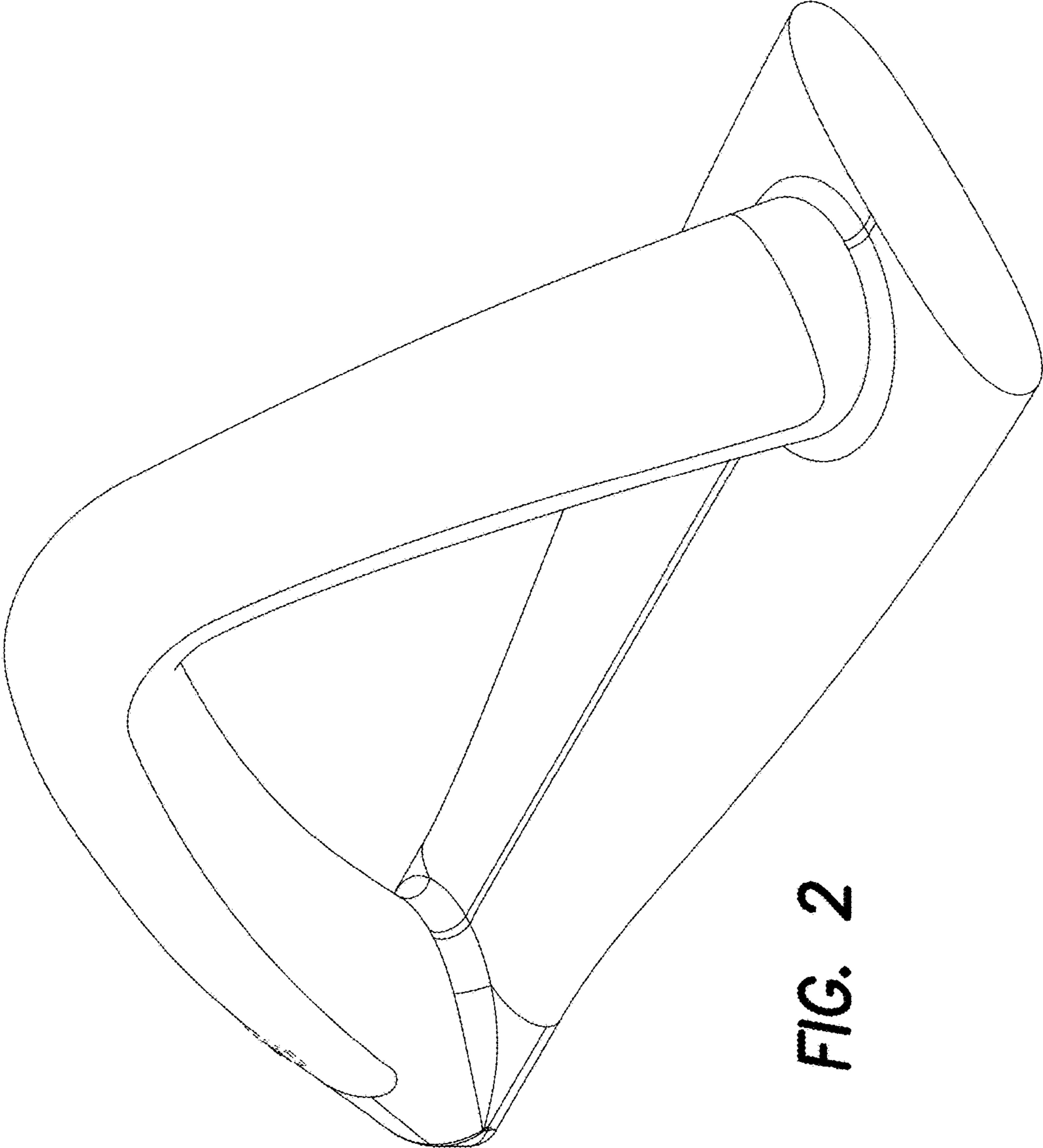


FIG. 2

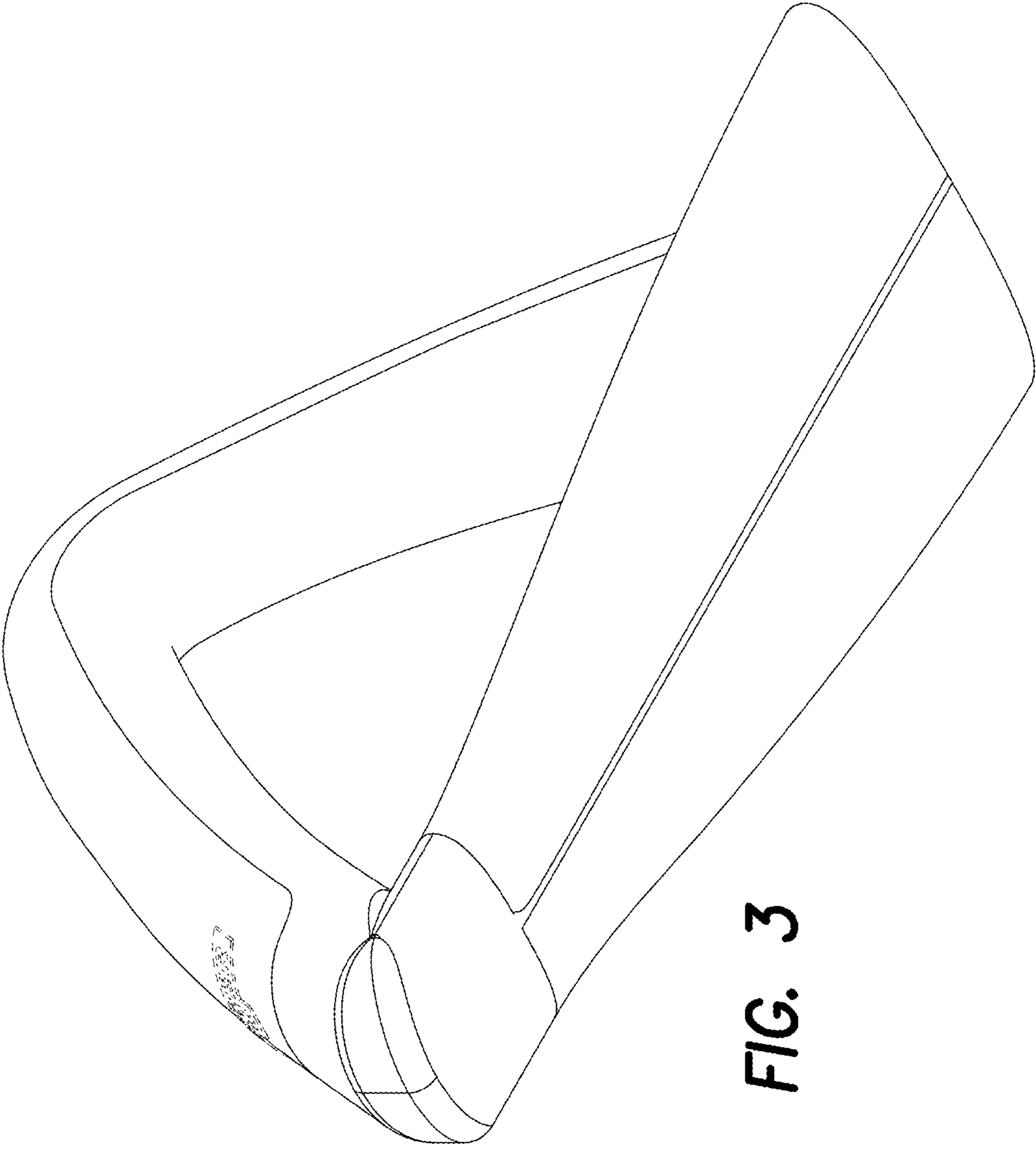


FIG. 3

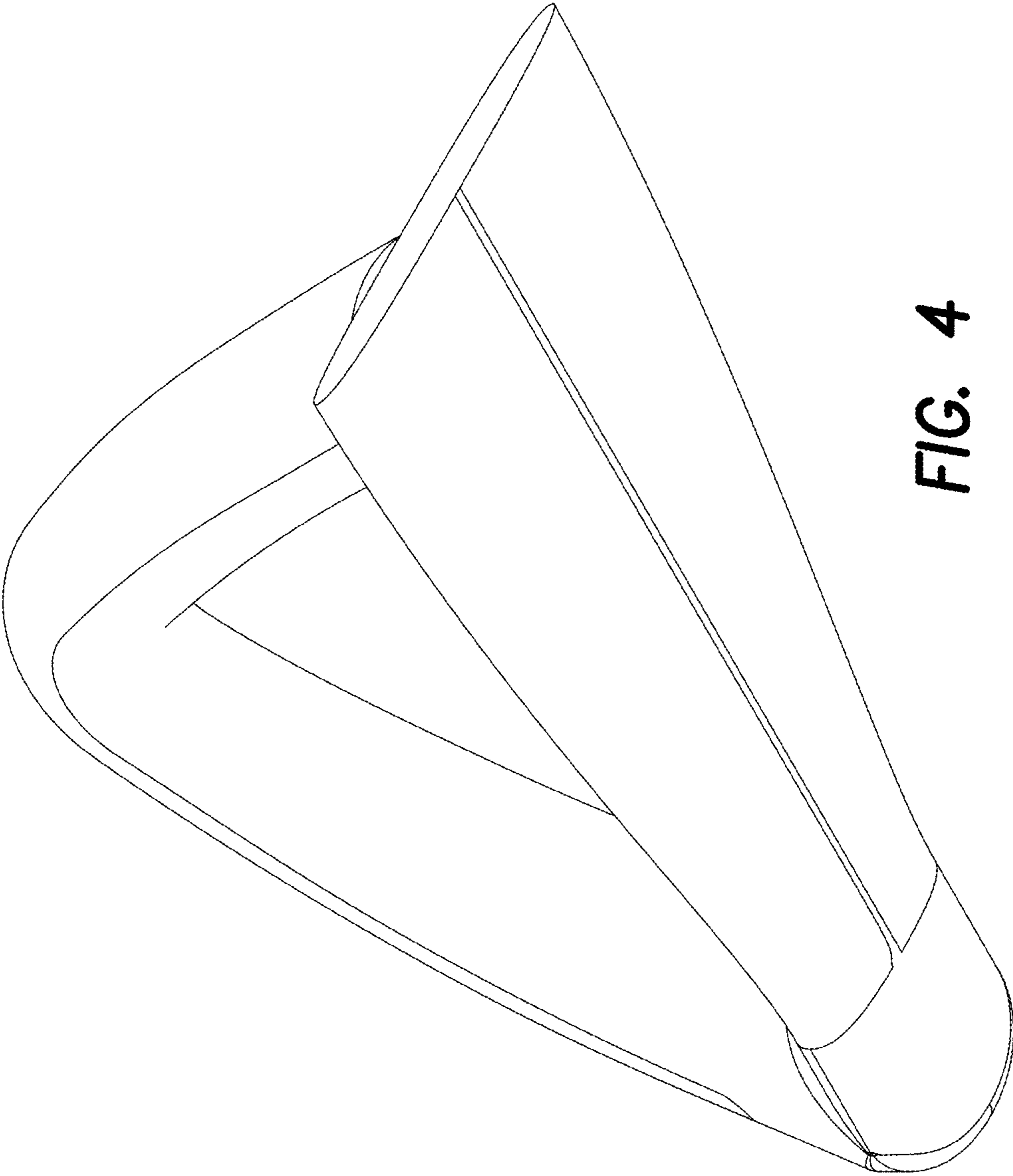


FIG. 4

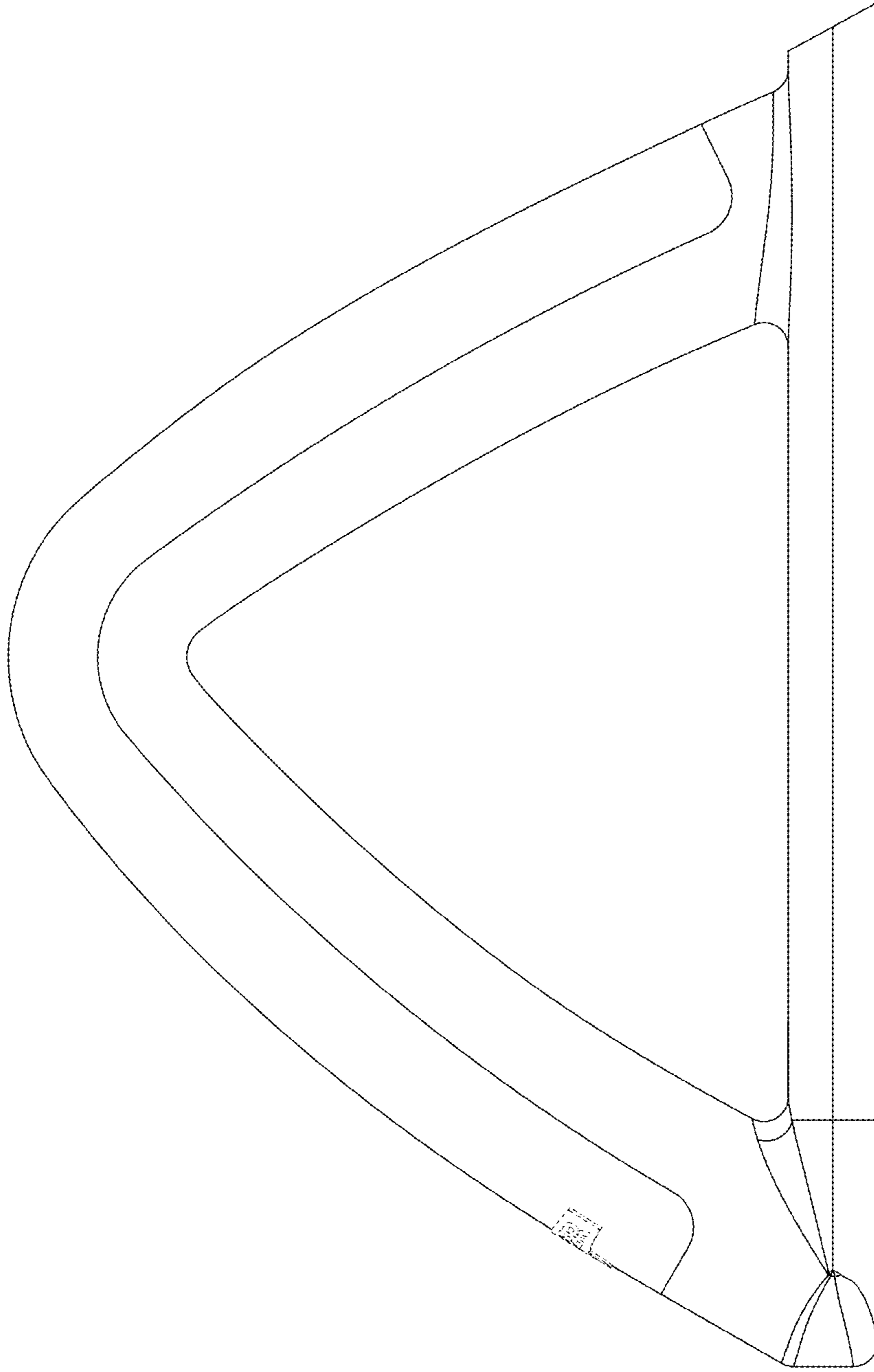


FIG. 5

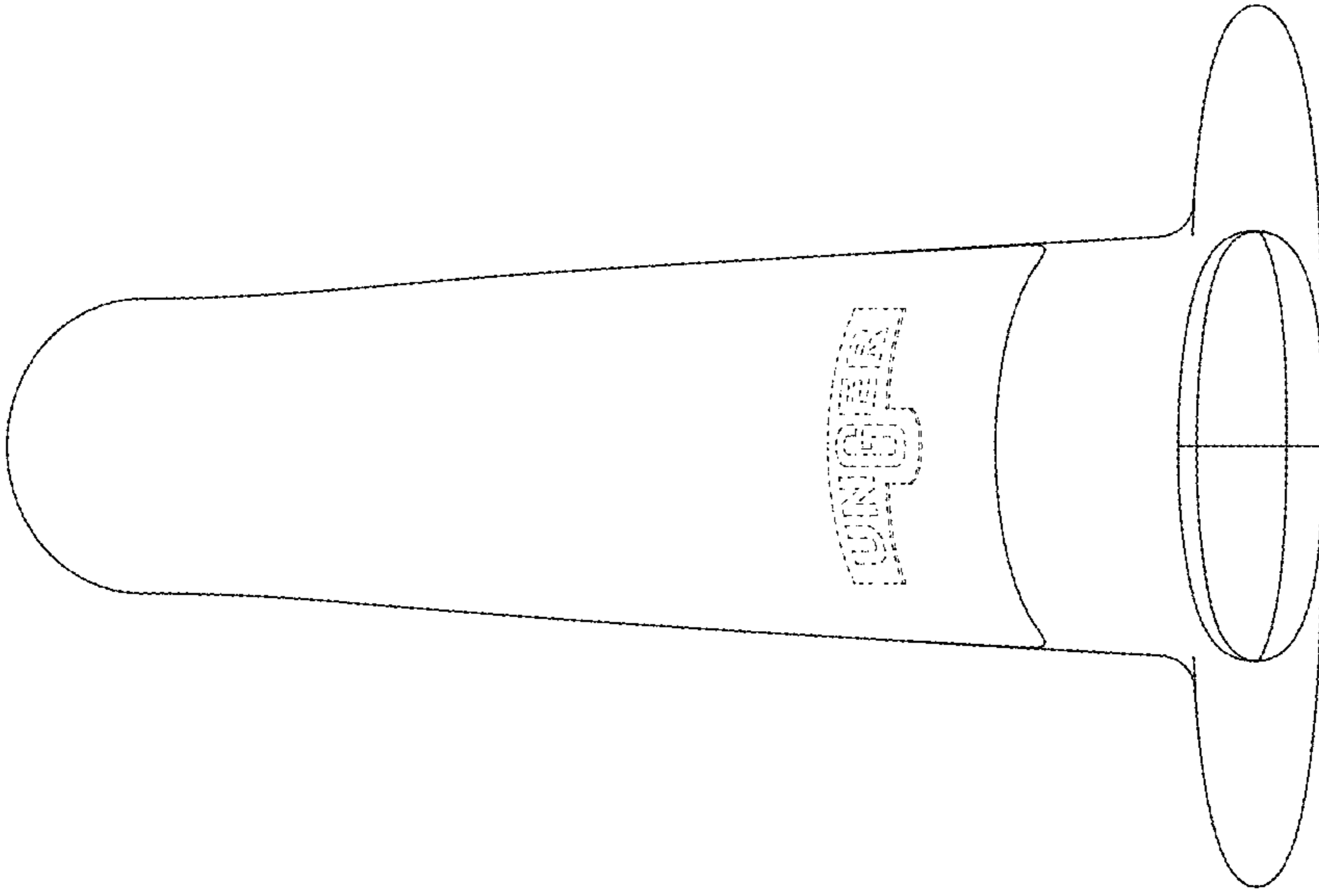


FIG. 7

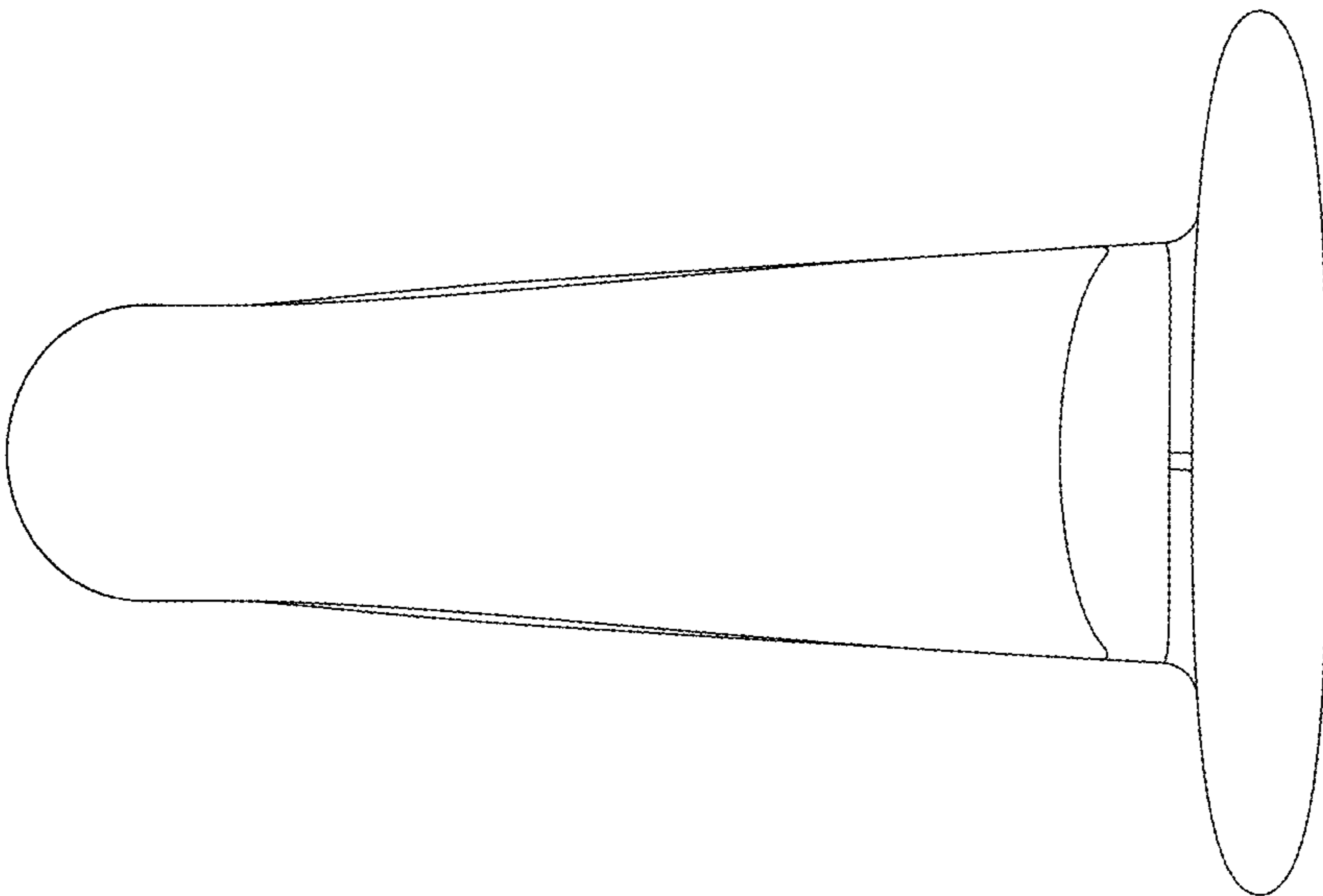


FIG. 6

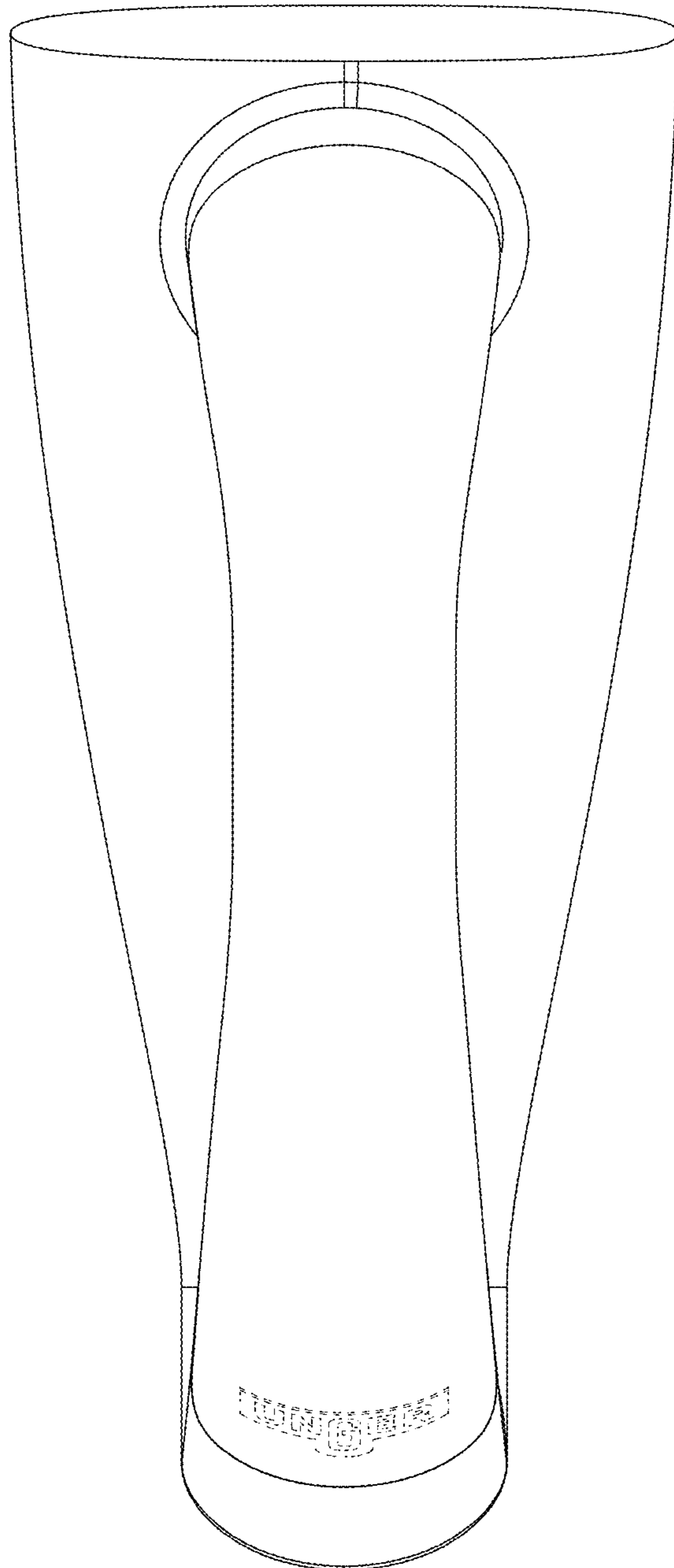


FIG. 8

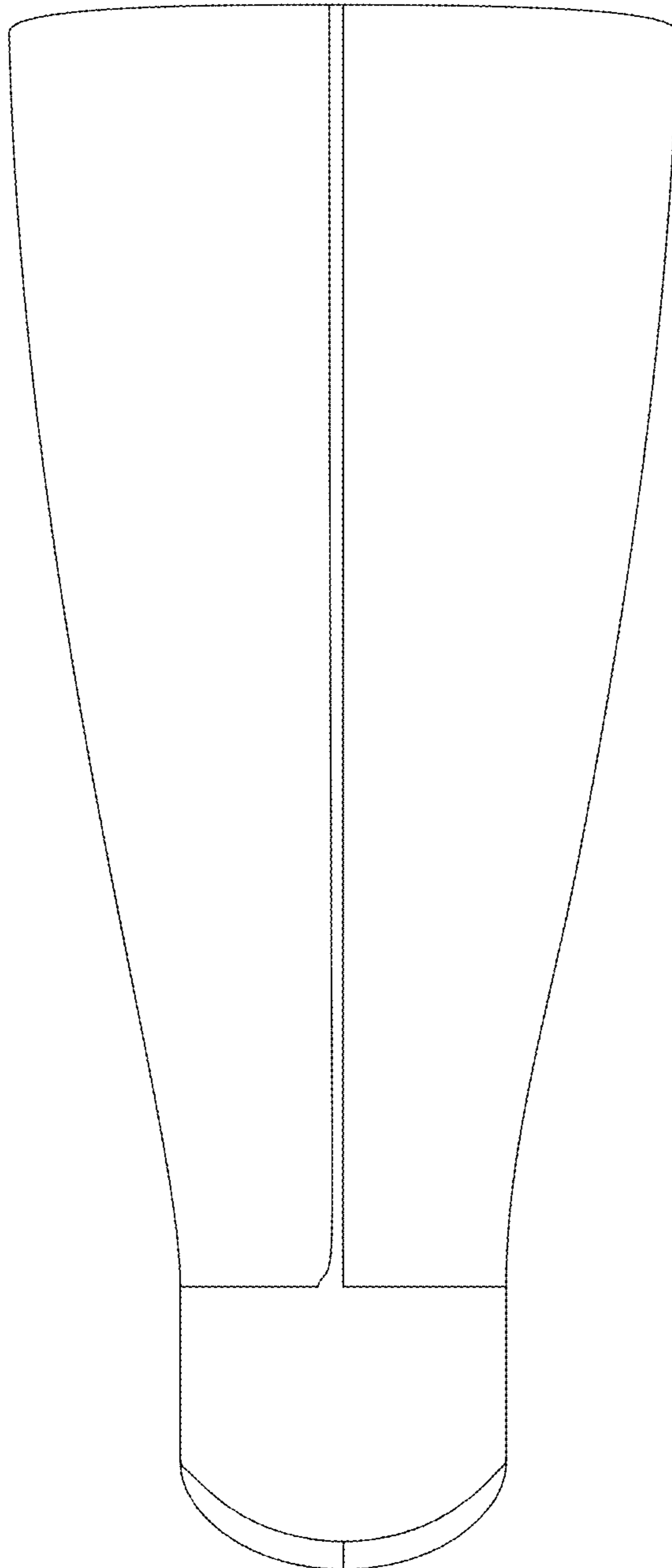


FIG. 9