



US00D830065S

(12) **United States Design Patent** (10) **Patent No.:** **US D830,065 S**
Harrington (45) **Date of Patent:** **** Oct. 9, 2018**

(54) **BRUSH HANDLE**
(71) Applicant: **Unger Marketing International, LLC**,
Bridgeport, CT (US)
(72) Inventor: **William Harrington**, Charlestown, RI
(US)
(73) Assignee: **Unger Marketing International, LLP**,
Bridgeport, CT (US)
(**) Term: **15 Years**

D333,239 S 2/1993 Pogue
D354,881 S 1/1995 Huff
D361,695 S 8/1995 Sutker
5,446,941 A 9/1995 Kelsay
D373,506 S 9/1996 Viemeister
D380,345 S 7/1997 Lu
D381,518 S 7/1997 Emerson
D384,242 S 9/1997 Ancona
D389,698 S 1/1998 Cohen
D392,151 S * 3/1998 Munari D7/395
D396,168 S 7/1998 Cohen
D399,388 S 10/1998 Cohen
5,857,241 A 1/1999 Camp, Jr.
D406,491 S 3/1999 Cohen
(Continued)

(21) Appl. No.: **29/592,553**
(22) Filed: **Jan. 31, 2017**
(51) **LOC (11) Cl.** **04-99**
(52) **U.S. Cl.**
USPC **D4/138**
(58) **Field of Classification Search**
USPC D4/104-113, 116, 117, 121, 123, 129,
D4/130-138; D8/67, 71, 80, 83, 94, 97,
D8/105, 107, 300, 301, 303, 307-321;
D24/147, 152; 15/DIG. 10; 16/421, 422,
16/430, 436; 74/551.1, 551.8, 551.9
CPC A46B 5/00; A46B 7/00; A46B 7/04; A46B
17/02; A46B 22/202; B25G 1/00; B25G
3/00; B25G 3/02; B25G 3/04; B25G
3/06; B25G 3/08; B25G 3/10; B25G
3/12; Y10S 16/12; Y10S 16/18; Y10S
16/19; Y10S 16/90; Y10T 16/00
See application file for complete search history.

FOREIGN PATENT DOCUMENTS

CN 203457968 3/2014
Primary Examiner — Wan Laymon
Assistant Examiner — Clint A Samuel
(74) *Attorney, Agent, or Firm* — Ohlandt, Greeley,
Ruggiero & Perle, LLP

(57) **CLAIM**

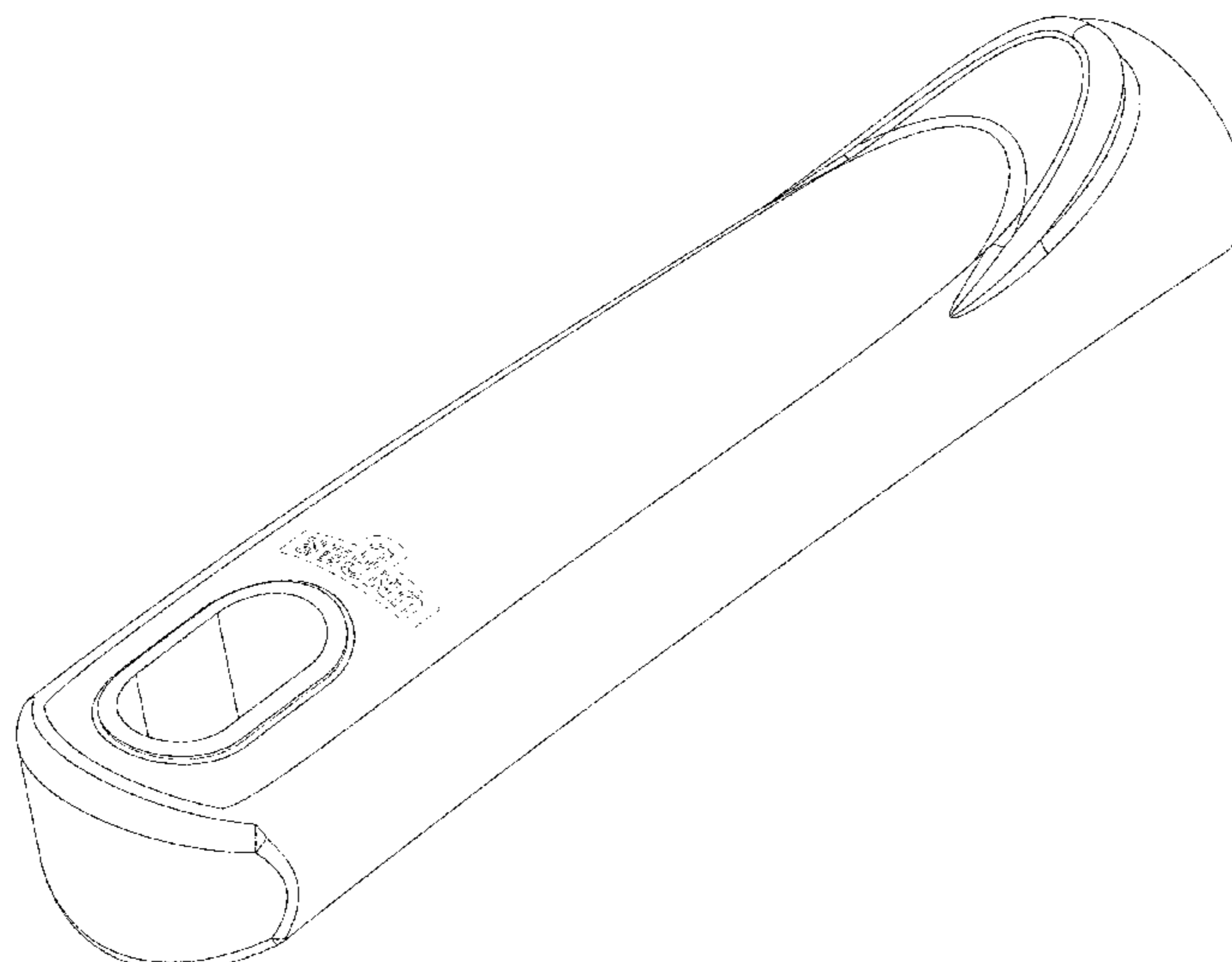
The ornamental design for a brush handle, as shown and described.

DESCRIPTION

FIG. 1 is a top perspective view of a brush handle according to the present disclosure;
FIG. 2 is a bottom perspective view of the brush handle of FIG. 1;
FIG. 3 is a side view of the brush handle of FIG. 1, the opposite side being identical thereto;
FIG. 4 is a front view of the brush handle of FIG. 1;
FIG. 5 is a rear view of the brush handle of FIG. 1;
FIG. 6 is a top view of the brush handle of FIG. 1; and,
FIG. 7 is a bottom view of the brush handle of FIG. 1.
The broken lines shown in the drawings are for illustration only and form no part of the claimed design.

1 Claim, 6 Drawing Sheets

(56) **References Cited**
U.S. PATENT DOCUMENTS
4,197,611 A 4/1980 Bell
D258,861 S 4/1981 Bratton
4,721,021 A 1/1988 Kuszniir
4,739,536 A 4/1988 Bandera
D296,496 S 7/1988 Stirling
4,974,286 A 12/1990 Stowell



(56)

References Cited

U.S. PATENT DOCUMENTS

D411,410 S 6/1999 Pedrini
 5,964,009 A 10/1999 Hoepfl
 D431,753 S 10/2000 Cohen
 RE37,190 E 5/2001 Stowell
 6,237,193 B1 5/2001 Skerker
 6,256,828 B1 7/2001 Sauer
 D446,025 S 8/2001 Petner
 6,273,626 B1 8/2001 Yazawa
 D448,176 S 9/2001 Petner
 D449,909 S 10/2001 Randolph
 D454,251 S 3/2002 De Swarte
 6,352,662 B1 3/2002 Murphy
 D461,058 S 8/2002 Hay
 D462,179 S * 9/2002 Lai D4/138
 D463,244 S * 9/2002 Chen D8/107
 D464,554 S * 10/2002 Chen D8/107
 D470,314 S 2/2003 Christianson
 6,633,309 B2 10/2003 Lau
 D482,874 S * 12/2003 Dotterman D4/138
 D500,600 S 1/2005 Hay
 D500,926 S * 1/2005 Hay D4/138
 D500,927 S 1/2005 Hay
 D502,002 S 2/2005 Conway
 D502,324 S 3/2005 Conway
 D505,016 S * 5/2005 Hay D4/138
 D505,791 S * 6/2005 Chang D4/138
 D508,631 S 8/2005 Cuillery
 D509,991 S 9/2005 Costello
 D514,330 S * 2/2006 Potempa D4/138
 D514,331 S 2/2006 Liu
 D517,896 S * 3/2006 Hsu D8/107
 D520,852 S 5/2006 Minkler
 7,040,830 B2 5/2006 Kliegman
 D522,342 S * 6/2006 Kwan D8/107
 D531,875 S * 11/2006 Chen D8/80
 D534,725 S 1/2007 Vu
 D544,667 S 6/2007 Nelson
 D544,775 S 6/2007 Cybulski
 D544,776 S 6/2007 Cybulski
 D549,463 S 8/2007 Potempa

D553,907 S 10/2007 Catalano
 D554,817 S 11/2007 Talesfore
 D557,084 S 12/2007 Yamanaka
 D562,008 S * 2/2008 Liu D4/138
 D562,516 S 2/2008 Talesfore
 D565,846 S 4/2008 Holcomb
 D568,016 S 4/2008 Ponikvar
 D577,956 S * 10/2008 Siegel D7/395
 D578,369 S * 10/2008 Chen D8/107
 D584,061 S 1/2009 Meyer
 D586,877 S 2/2009 Li
 D586,962 S 2/2009 Li
 D591,956 S 5/2009 Treacy
 D594,274 S 6/2009 McKenzie
 D604,470 S 11/2009 Billig
 D606,320 S 12/2009 Meyer
 D607,169 S 12/2009 Weis
 7,674,418 B2 3/2010 Matsumoto
 D616,649 S 6/2010 Lin
 D624,264 S 9/2010 Li
 D630,888 S 1/2011 Bodum
 D631,217 S 1/2011 Lavy
 D632,490 S 2/2011 Cobabe
 D632,491 S 2/2011 Lowe
 D647,703 S 11/2011 Li
 D650,955 S 12/2011 Chapman
 8,215,945 B2 7/2012 Matsumoto
 D694,021 S 11/2013 Weaver
 D720,594 S * 1/2015 Henderson D8/107
 D723,349 S * 3/2015 Henderson D8/107
 D727,131 S * 4/2015 Henderson D8/107
 D727,710 S * 4/2015 Henderson D8/107
 D754,517 S * 4/2016 Henderson D8/107
 D754,975 S * 5/2016 Buckley D4/138
 D756,129 S * 5/2016 Michelson D4/122
 D756,130 S * 5/2016 Michelson D4/122
 D756,131 S * 5/2016 Michelson D4/122
 D756,132 S * 5/2016 Michelson D4/122
 D756,663 S * 5/2016 Michelson D4/122
 2008/0115302 A1 5/2008 Kilkenny
 2016/0167216 A1 * 6/2016 Ou B25G 1/10
 81/489

* cited by examiner

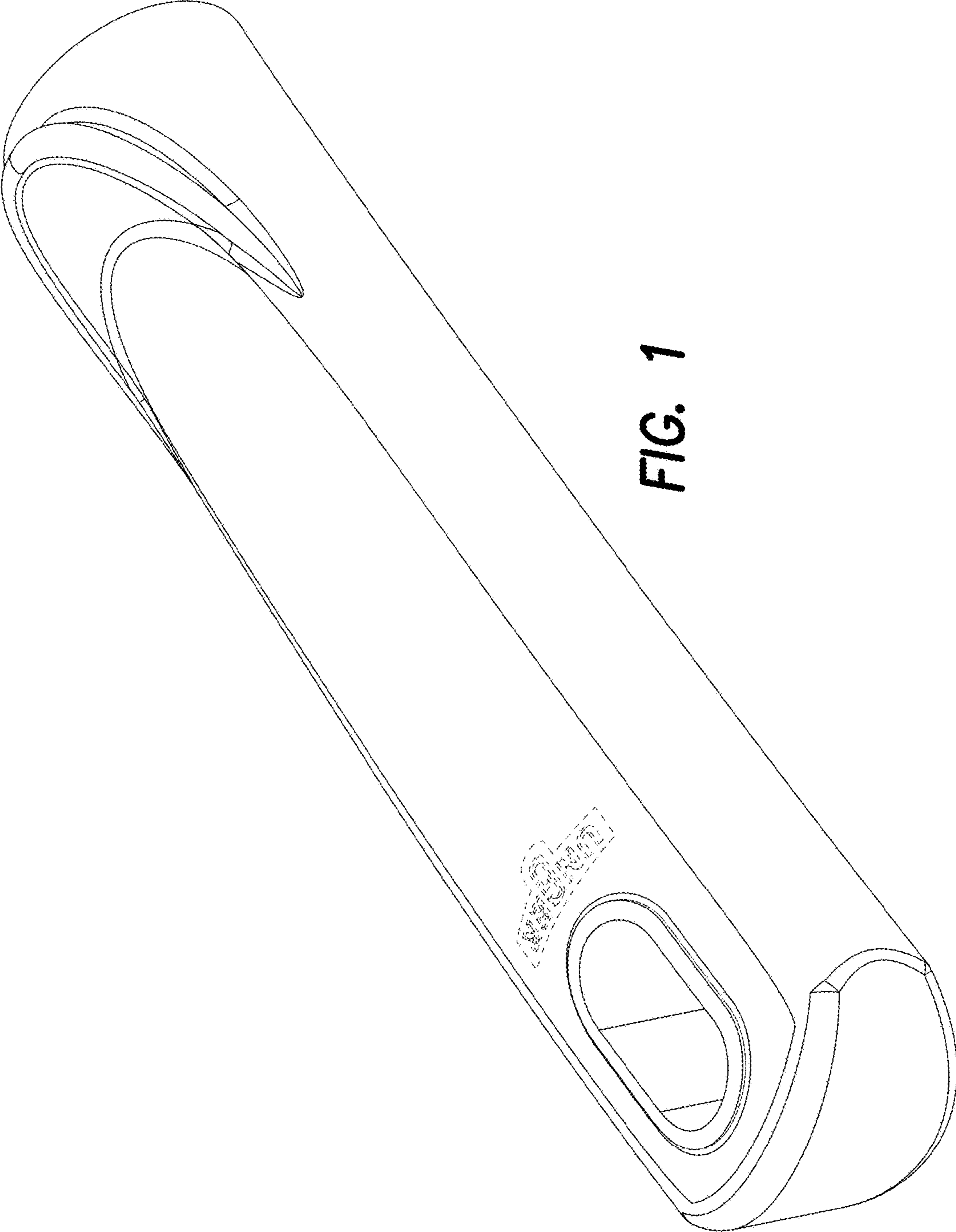


FIG. 1

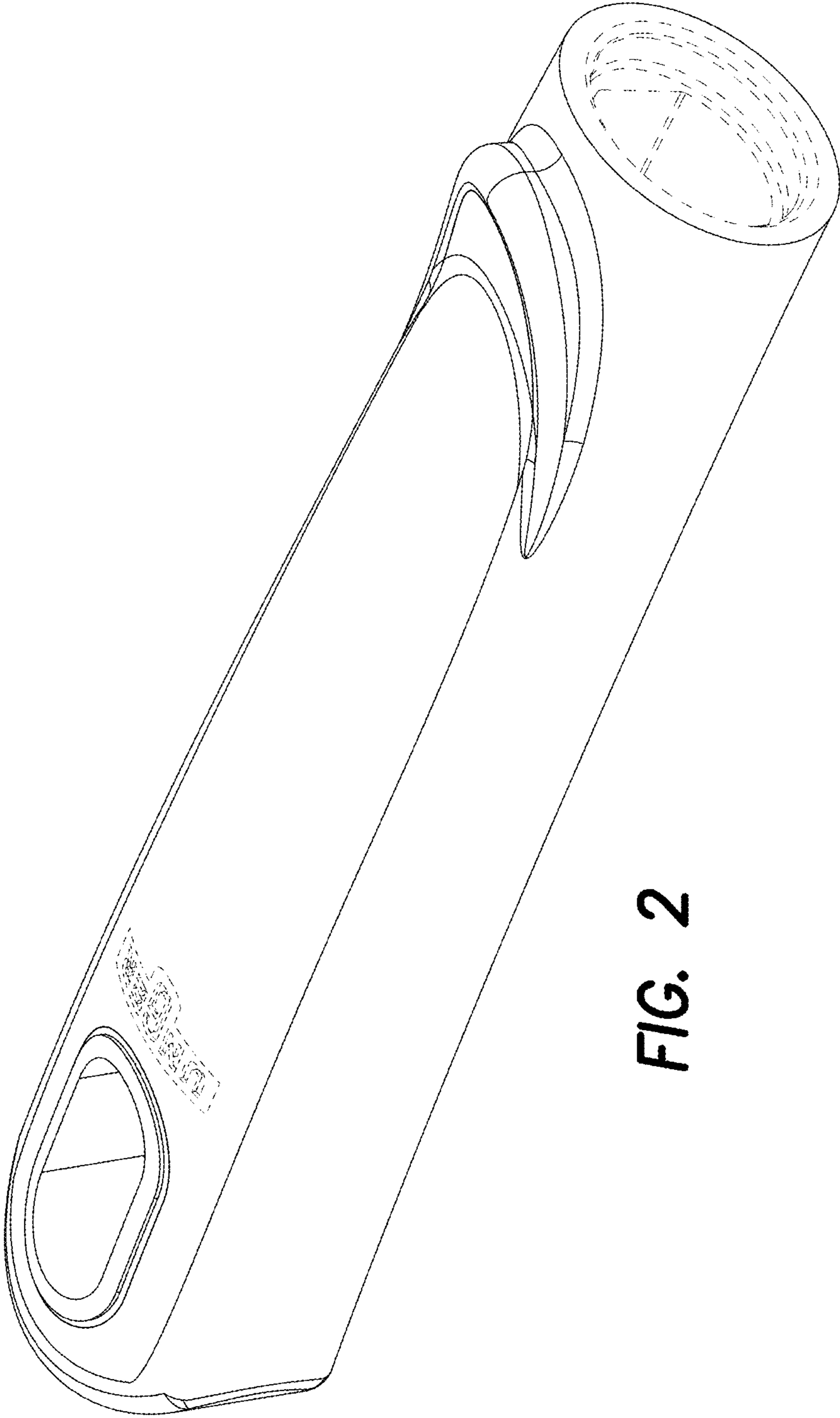


FIG. 2

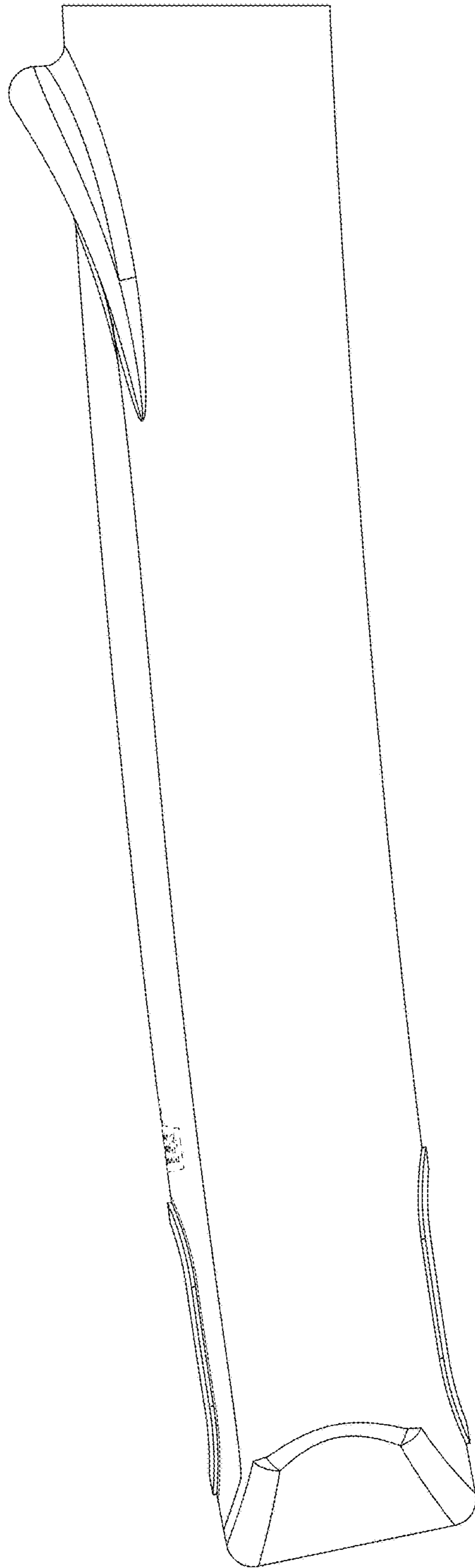


FIG. 3

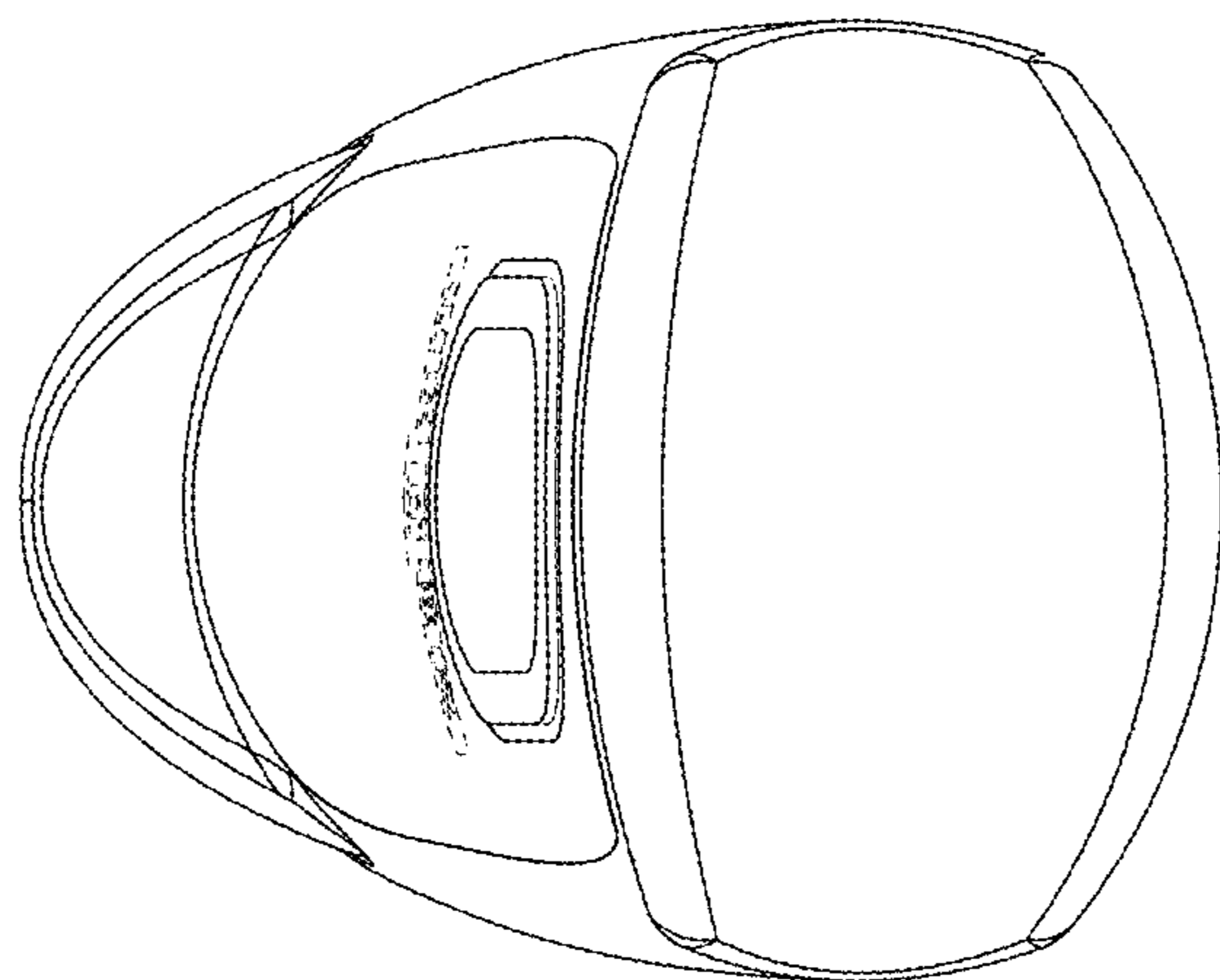


FIG. 4

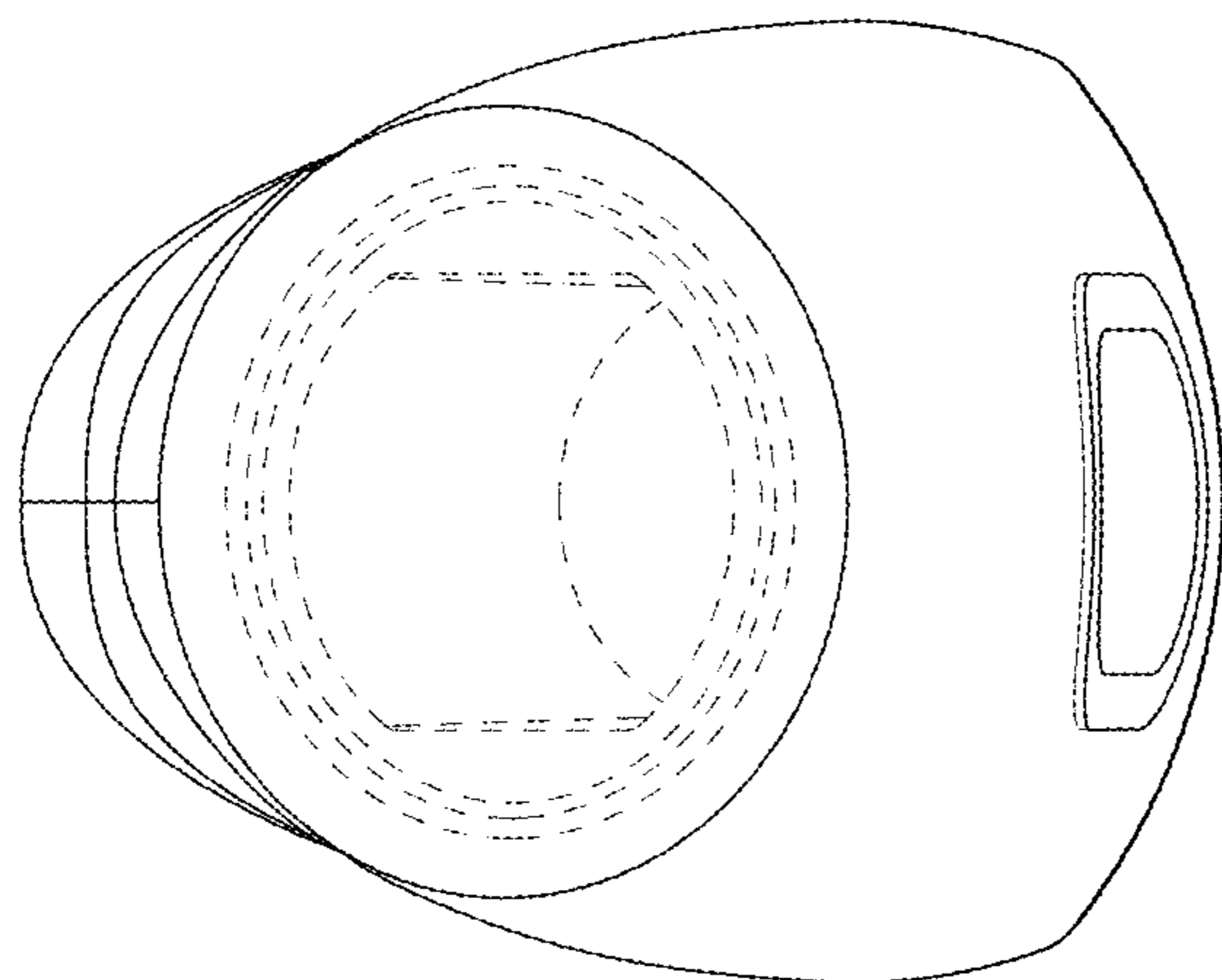


FIG. 5

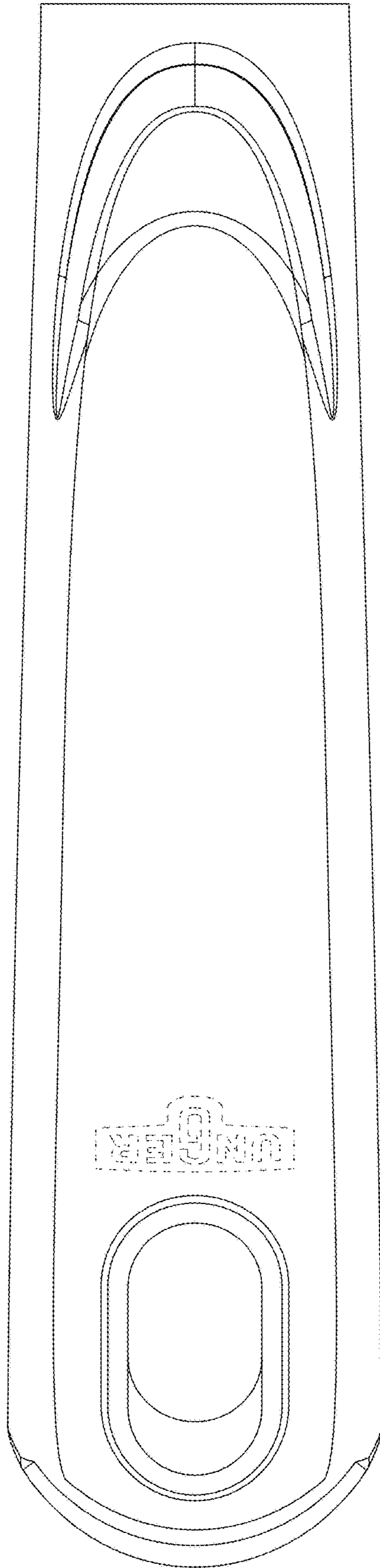


FIG. 6

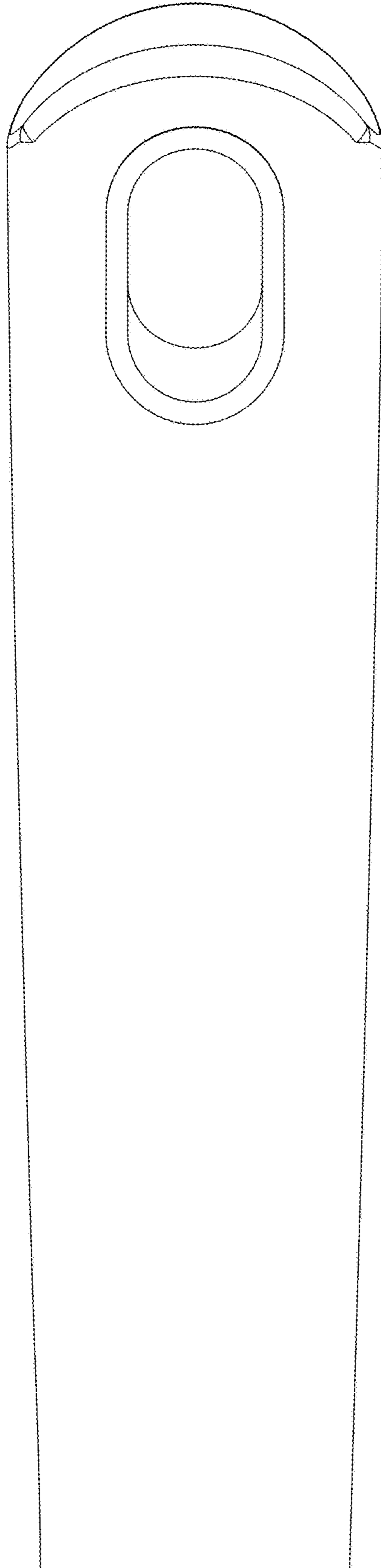


FIG. 7