



US00D830062S

(12) **United States Design Patent** (10) **Patent No.:** **US D830,062 S**
Dolce et al. (45) **Date of Patent:** **** Oct. 9, 2018**

(54) **CLOSING DEVICE FOR BAGS**

(56) **References Cited**

(71) Applicant: **DOLCE & GABBANA S.r.l.**, Milan (IT)

U.S. PATENT DOCUMENTS

(72) Inventors: **Domenico Dolce**, Milan (IT); **Stefano Gabbana**, Milan (IT)

D696,017 S * 12/2013 Lagerfeld D3/318
D698,550 S * 2/2014 Louboutin D3/318
D702,045 S * 4/2014 Armani D3/318
D804,824 S * 12/2017 Lopez Montoya D3/318

(73) Assignee: **DOLCE & GABBANA S.R.L.**, Milan (IT)

* cited by examiner

(**) Term: **15 Years**

Primary Examiner — Holly H Baynham

(21) Appl. No.: **29/619,760**

(74) *Attorney, Agent, or Firm* — Jacobson Holman, PLLC.

(22) Filed: **Oct. 2, 2017**

(57) **CLAIM**

We claim the ornamental design for a closing device for bags, as shown and described.

(30) **Foreign Application Priority Data**

DESCRIPTION

Apr. 4, 2017 (EM) 003840057

(51) **LOC (11) Cl.** **03-01**

(52) **U.S. Cl.**
USPC **D3/318**

(58) **Field of Classification Search**
USPC D3/240–243, 245–246, 318
CPC A45C 11/18; A45C 11/182
See application file for complete search history.

FIG. 1 is a front perspective view of a closing device for bags;

FIG. 2 is a front elevational view of FIG. 1;

FIG. 3 is a top plan view of FIG. 1;

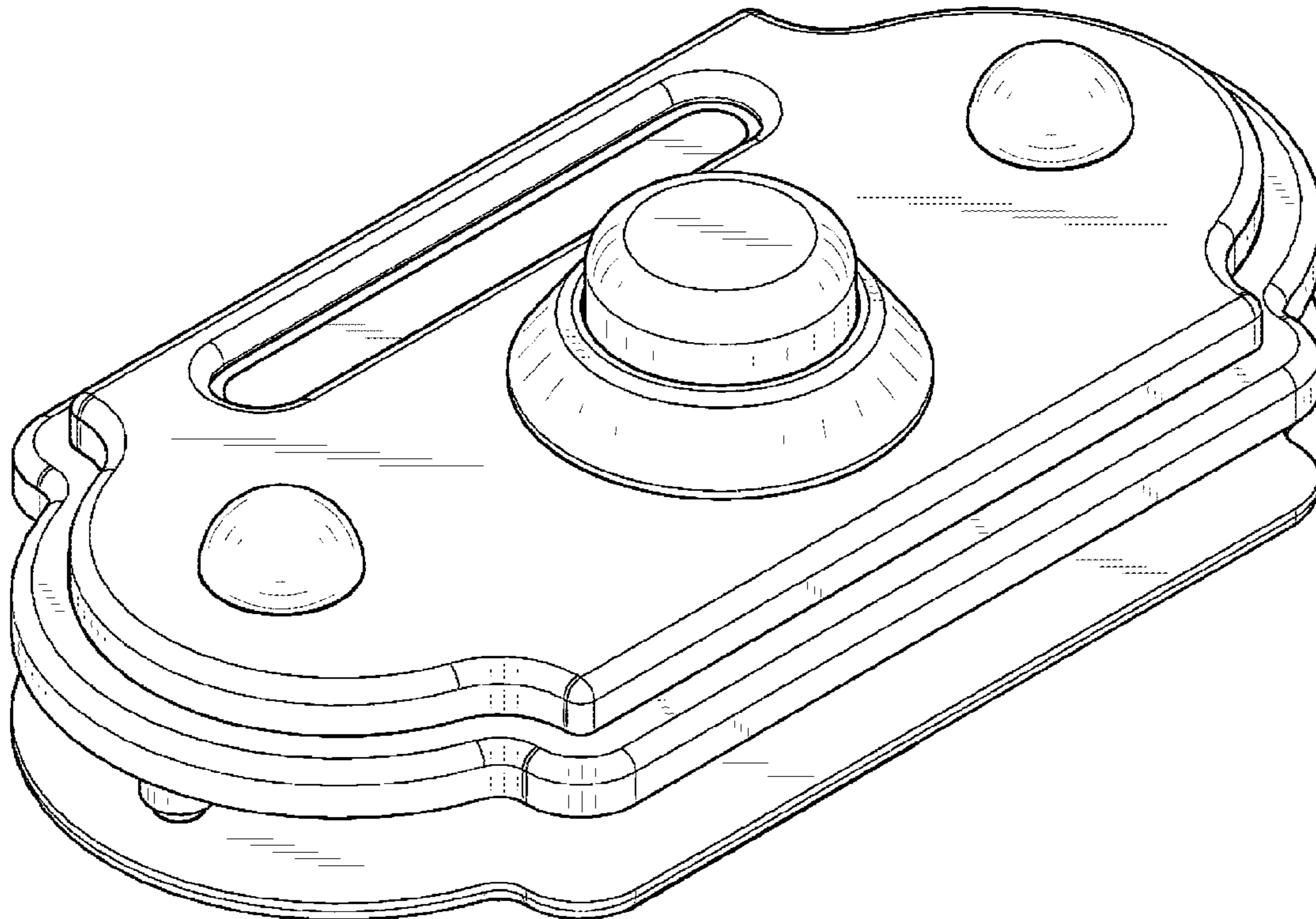
FIG. 4 is a bottom view of FIG. 1;

FIG. 5 is a right side elevational view of FIG. 1;

FIG. 6 is a left side elevational view of FIG. 1; and,

FIG. 7 is a rear elevational view of FIG. 1.

1 Claim, 4 Drawing Sheets



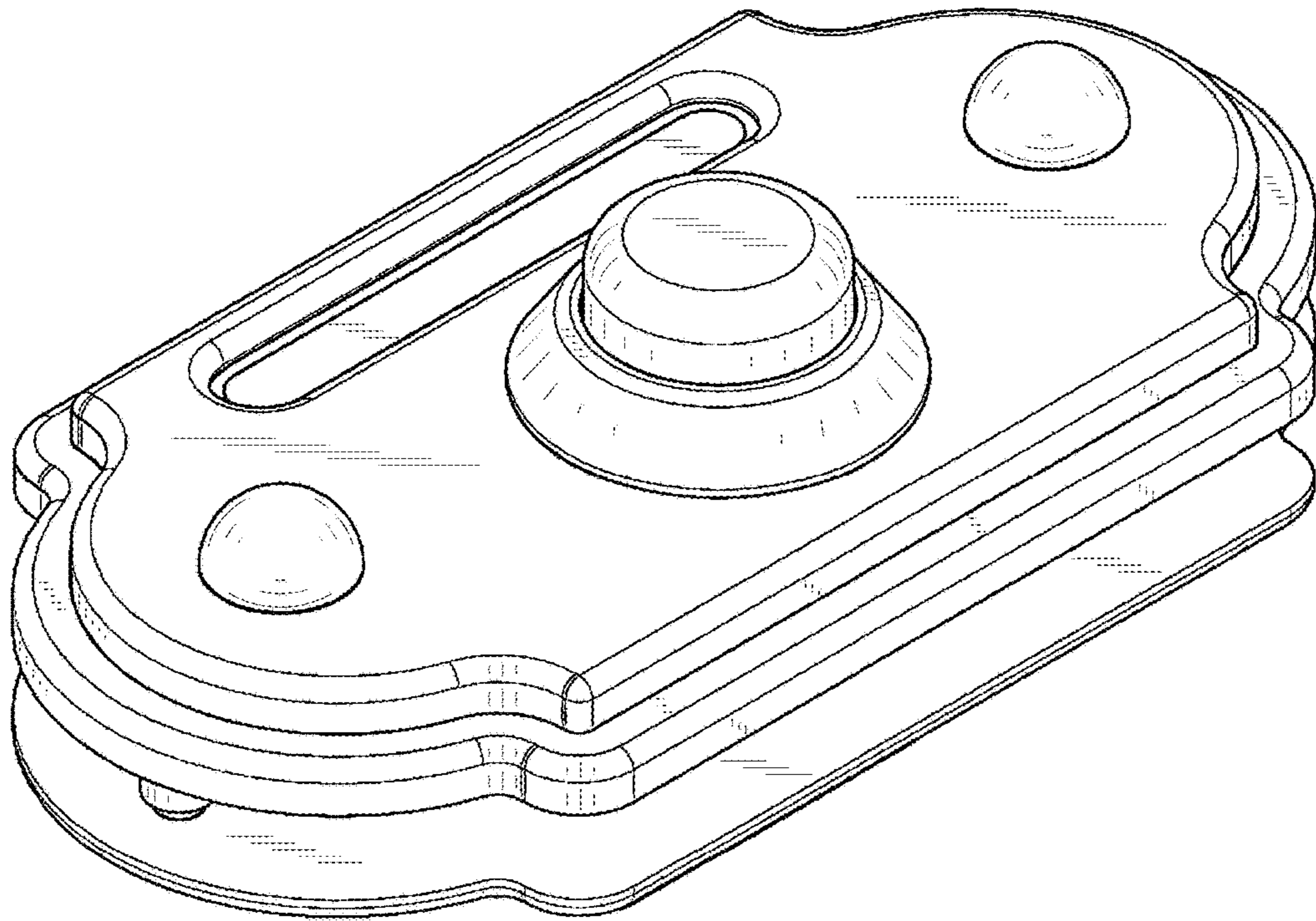


FIG. 1

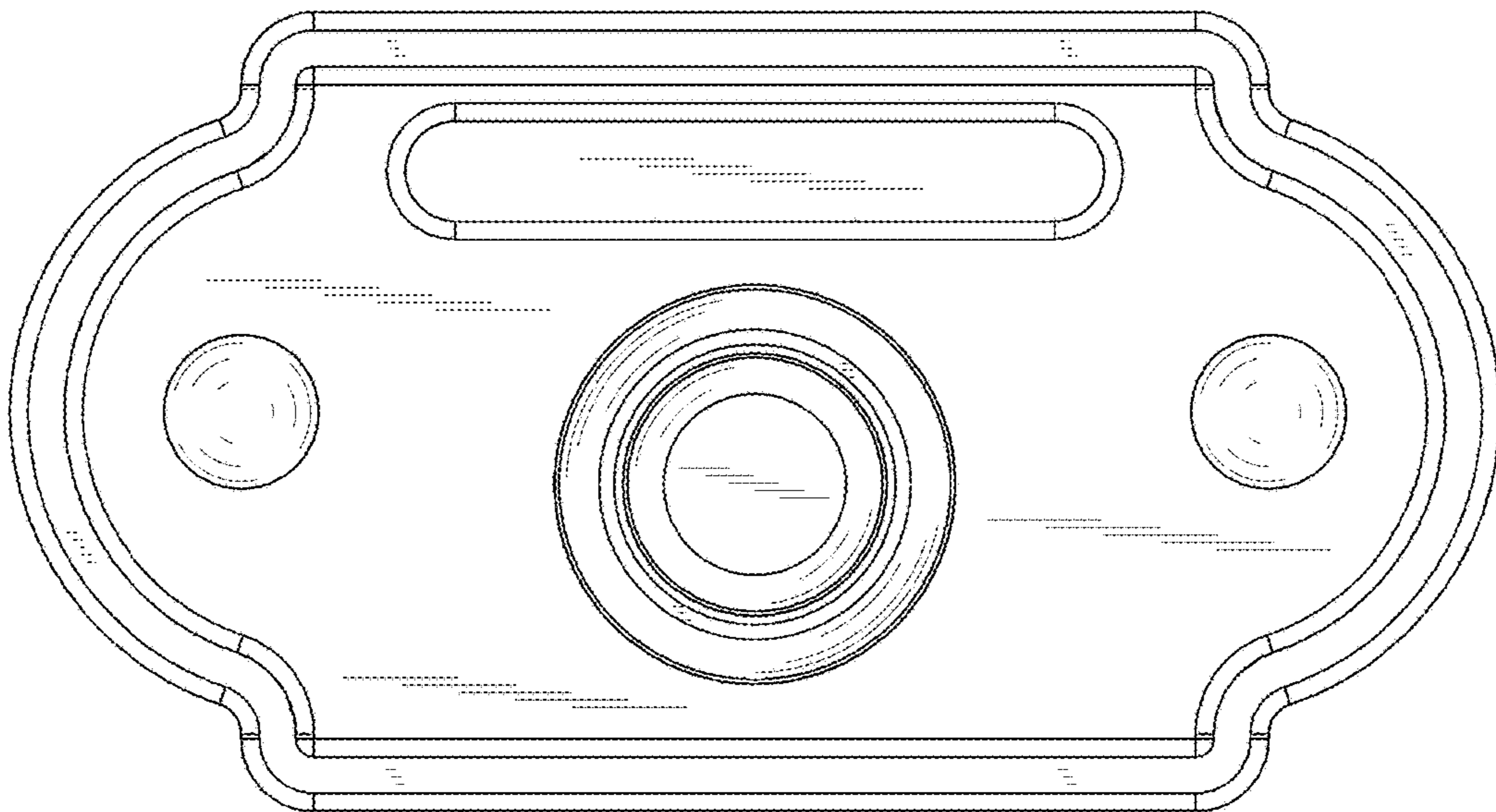


FIG. 2

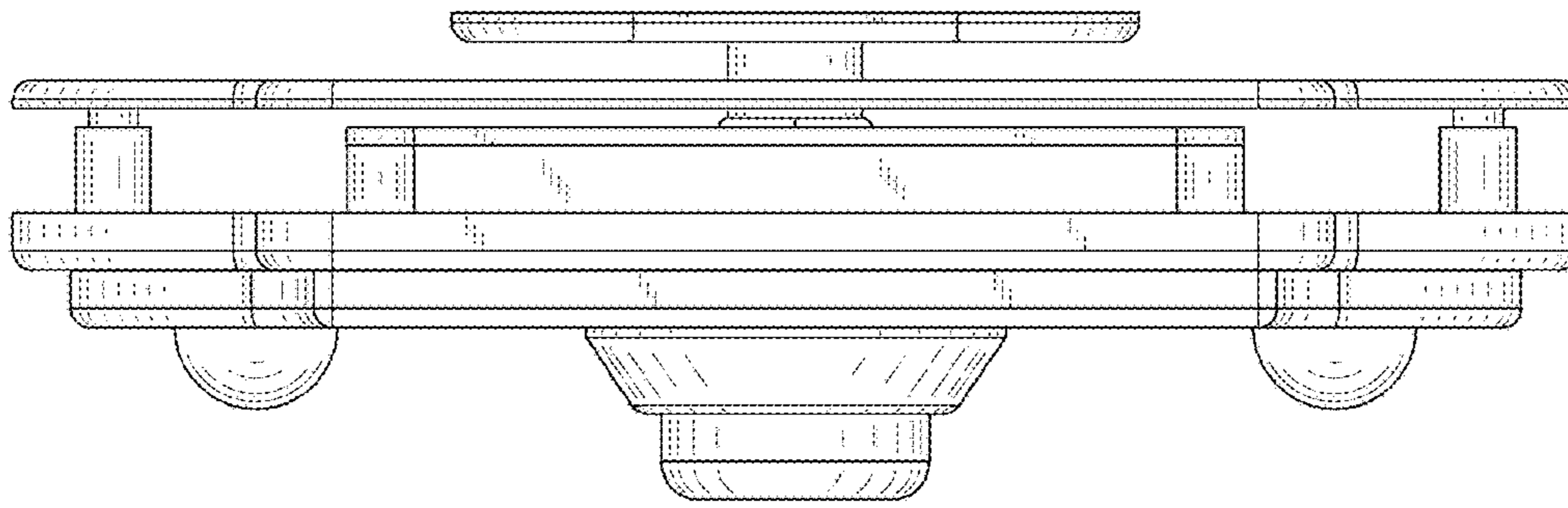


FIG. 3

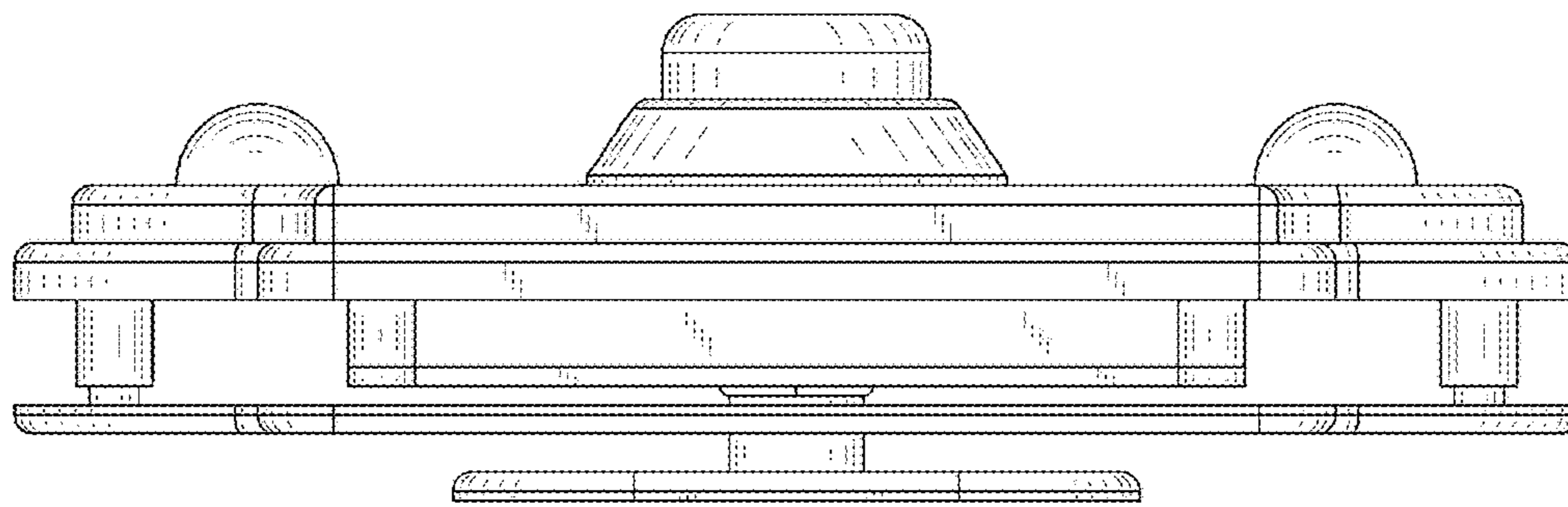


FIG. 4

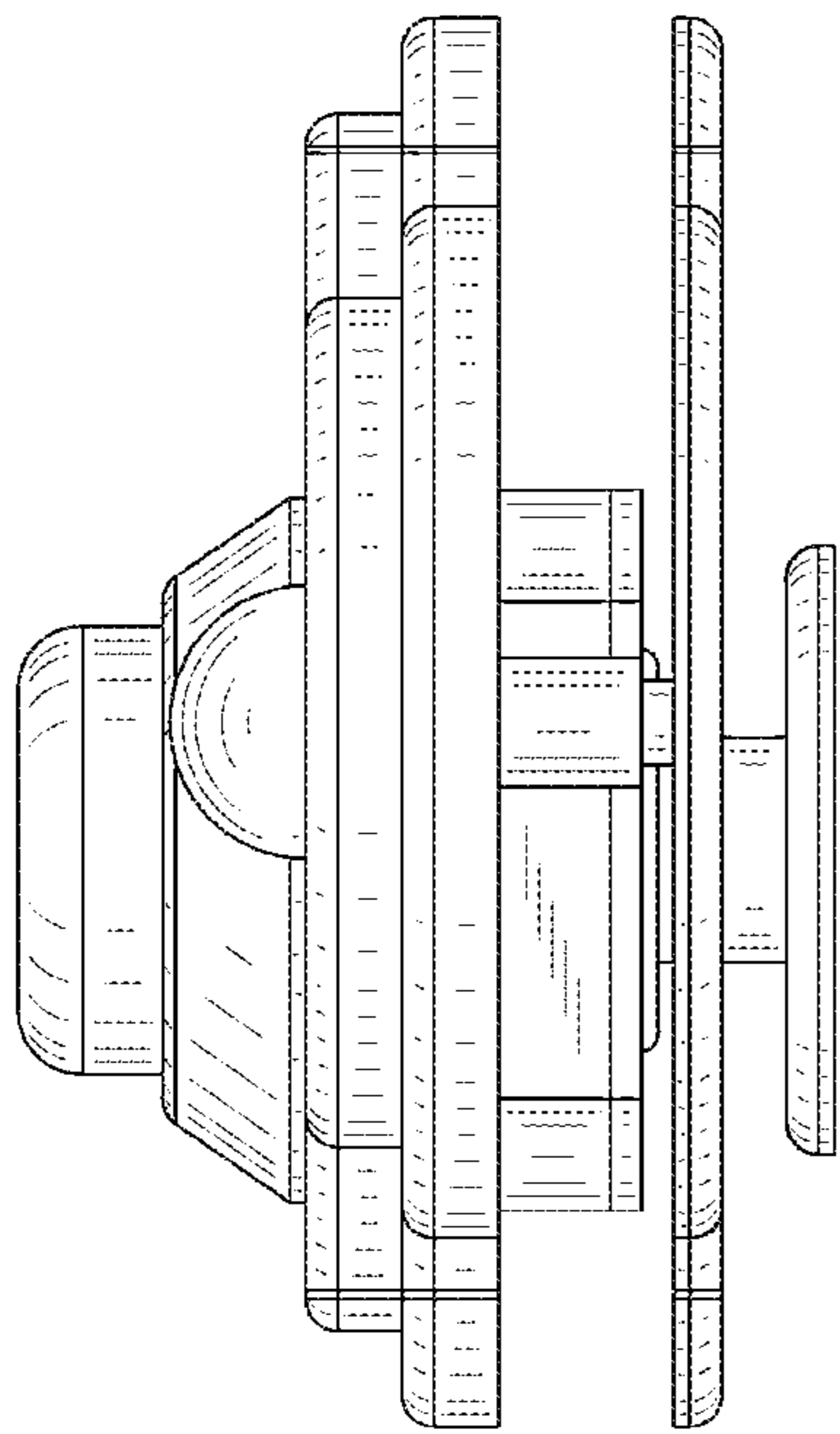


FIG. 5

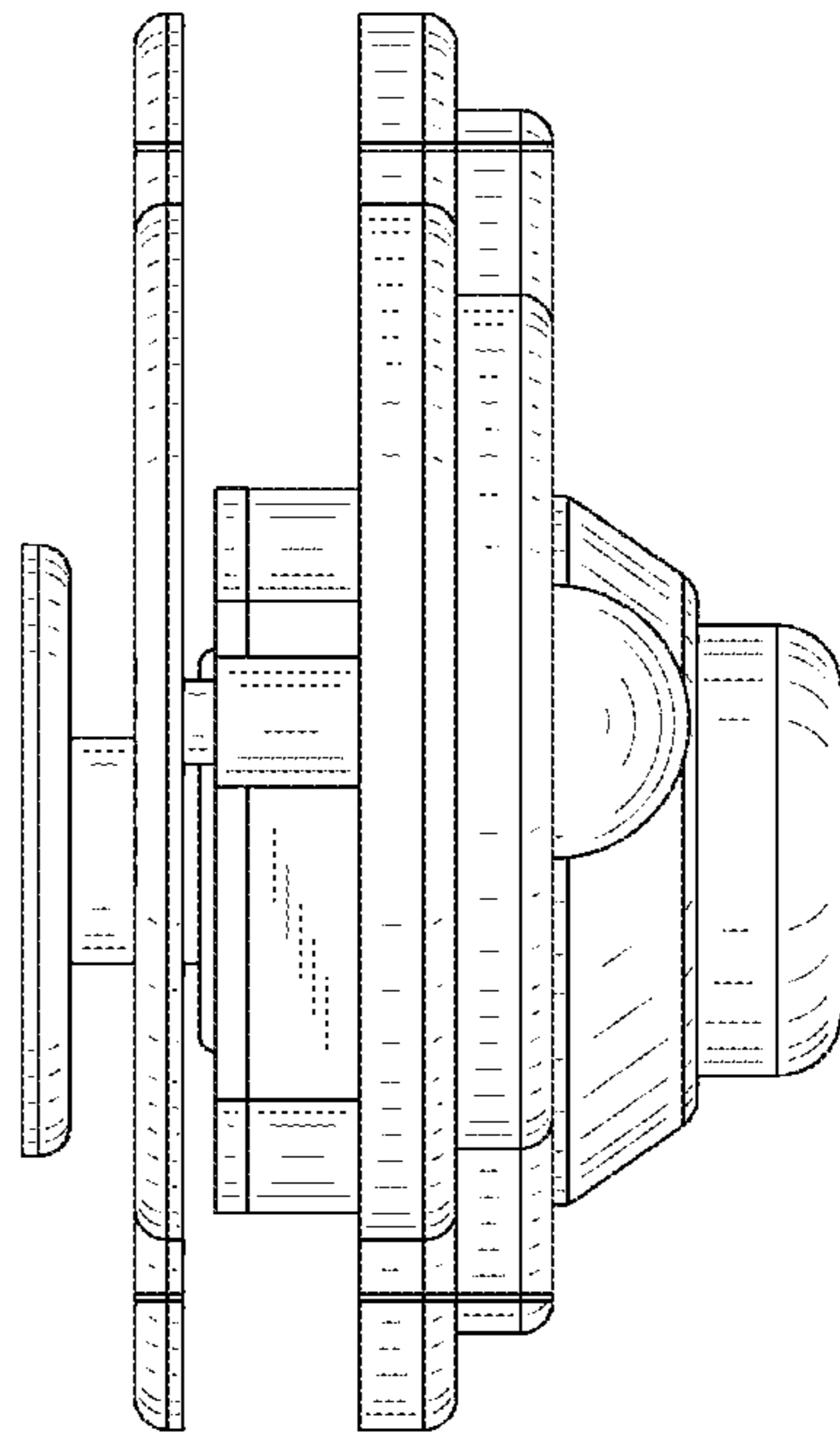


FIG. 6

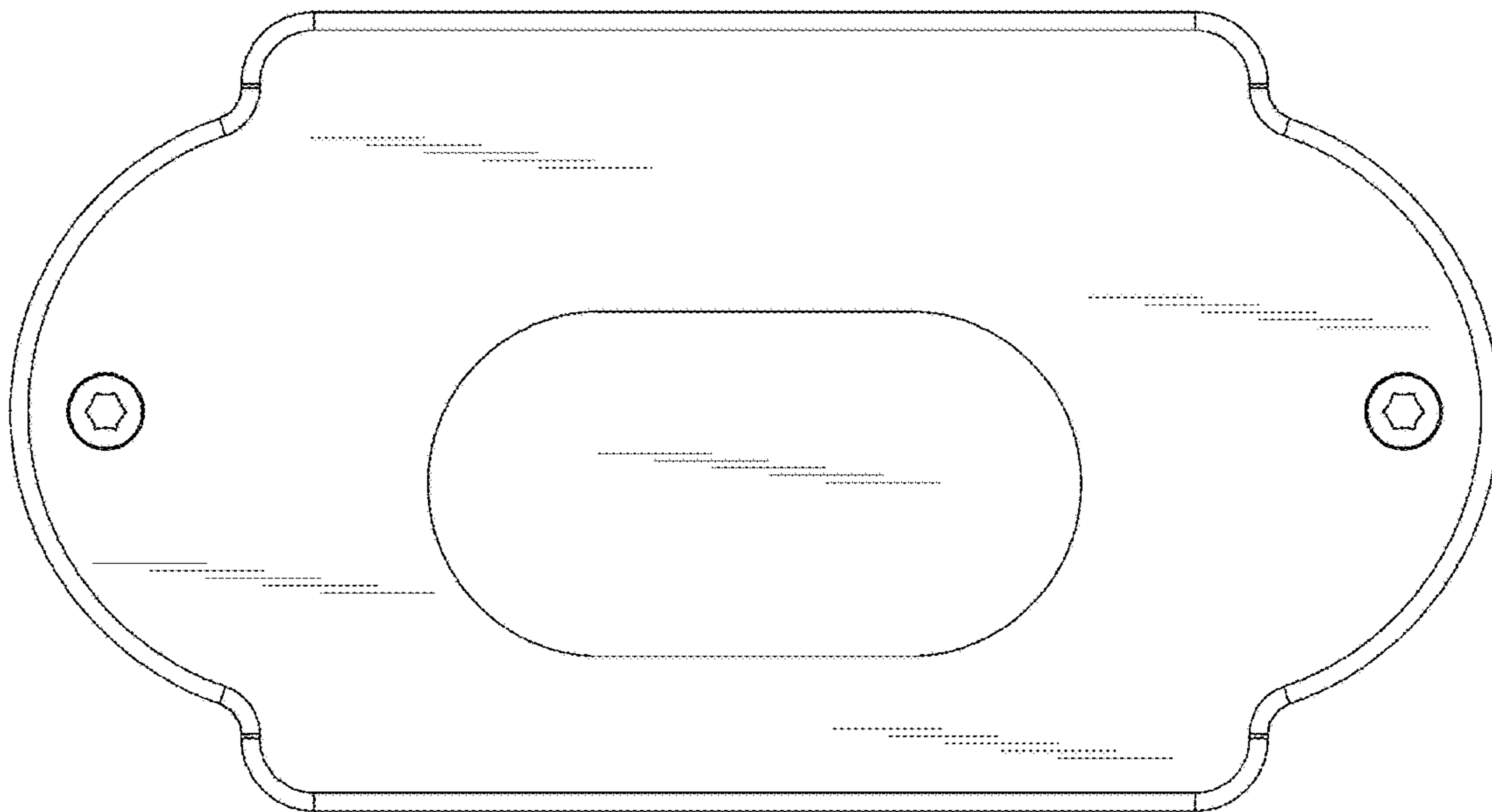


FIG. 7