



US00D830052S

(12) **United States Design Patent** (10) **Patent No.:** **US D830,052 S**  
**Meredith, Sr.** (45) **Date of Patent:** **\*\* Oct. 9, 2018**

(54) **BELT CLIP**  
(71) Applicant: **Kandment, LLC**, Portsmouth, VA (US)  
(72) Inventor: **Melvin A. Meredith, Sr.**, Portsmouth, VA (US)  
(\*\*) Term: **15 Years**  
(21) Appl. No.: **29/606,049**  
(22) Filed: **Jun. 1, 2017**  
(51) **LOC (11) Cl.** ..... **03-01**  
(52) **U.S. Cl.**  
USPC ..... **D3/215**  
(58) **Field of Classification Search**  
USPC ..... D3/215, 218, 221, 229; 24/580.11, 663, 24/667, 669, 682.1; 224/148.4, 191, 197, 224/240, 242, 245, 268, 271-272, 667, 224/669, 673, 904  
CPC .... A45F 5/00; A45F 5/02; A45F 5/021; A45F 5/06; A61M 5/14244; F16B 45/00  
See application file for complete search history.

(56) **References Cited**

**U.S. PATENT DOCUMENTS**

381,833 A \* 4/1888 Fried ..... 24/669  
D382,105 S \* 8/1997 Bonaldi ..... D11/201  
6,131,779 A \* 10/2000 Gendala ..... A45F 5/02  
224/148.1  
D433,563 S \* 11/2000 Capanna ..... D3/215  
D478,630 S \* 8/2003 Riggins ..... D19/78  
D555,896 S \* 11/2007 Ward-Llewellyn ..... D3/215  
D633,739 S \* 3/2011 Hamdia ..... D3/215  
D670,903 S \* 11/2012 Ormsbee ..... D3/215  
9,289,052 B2 \* 3/2016 Griffith ..... A45F 5/06

D807,634 S \* 1/2018 Eremita ..... D3/215  
\* cited by examiner

*Primary Examiner* — Catherine R Oliver-Garcia  
(74) *Attorney, Agent, or Firm* — Pierce McCoy, PLLC; Bryce D. Miracle

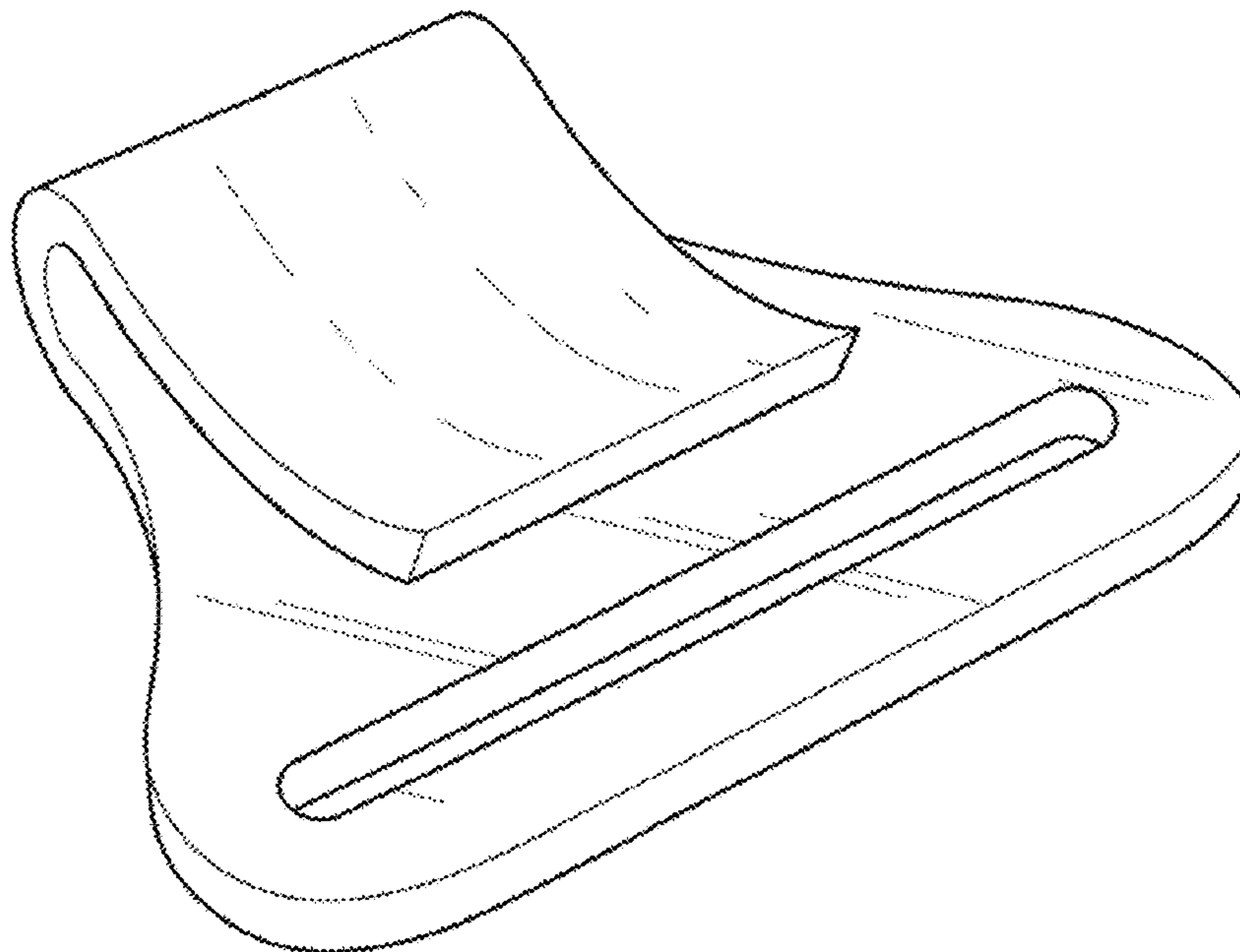
(57) **CLAIM**

The ornamental design for a belt clip, substantially as shown and described.

**DESCRIPTION**

FIG. 1 is a rear perspective view of a first embodiment of the belt clip showing the new design;  
FIG. 2 is a bottom plan view thereof;  
FIG. 3 is a top plan view thereof;  
FIG. 4 is a left side elevation view thereof;  
FIG. 5 is a right side elevation view thereof;  
FIG. 6 is a rear elevation view thereof;  
FIG. 7 is a front elevation view thereof;  
FIG. 8 is a rear top, rear perspective view thereof;  
FIG. 9 is a cross sectional view of the belt clip shown along the line 9-9 of FIG. 8;  
FIG. 10 is a rear perspective view of a second embodiment of the belt clip showing the new design;  
FIG. 11 is a bottom plan view thereof;  
FIG. 12 is a top plan view thereof;  
FIG. 13 is a right side elevation view thereof;  
FIG. 14 is a left side elevation view thereof;  
FIG. 15 is a rear elevation view thereof;  
FIG. 16 is a front elevation view thereof;  
FIG. 17 is a top, rear perspective view thereof; and,  
FIG. 18 is a cross sectional view of the belt clip shown along line 18-18 of FIG. 17.

**1 Claim, 18 Drawing Sheets**



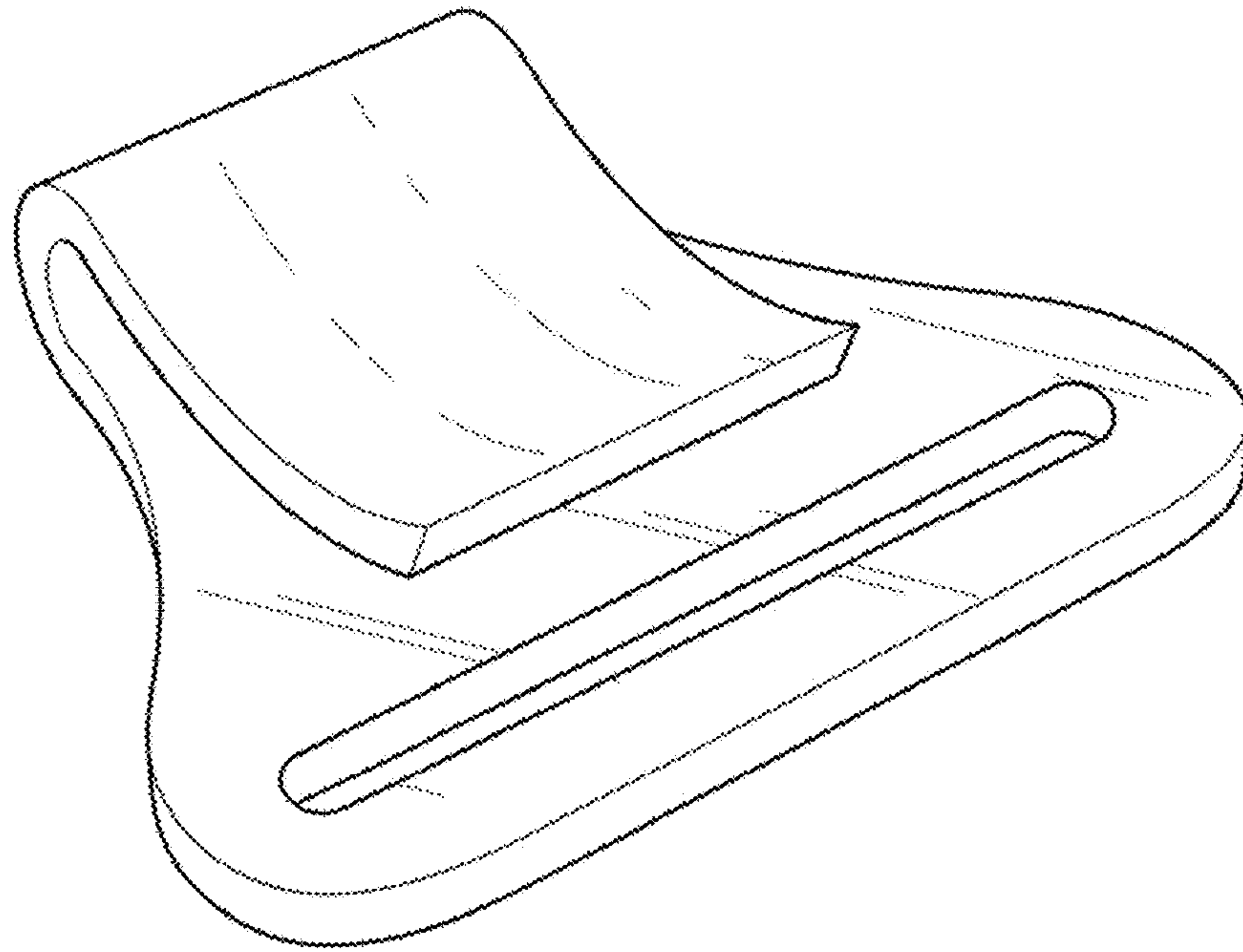


FIG. 1

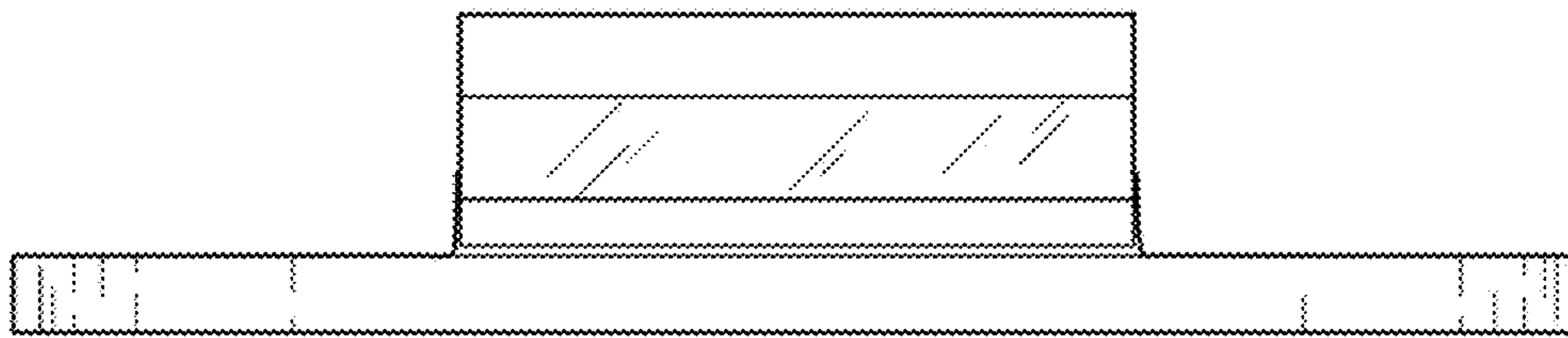


FIG. 2



FIG. 3

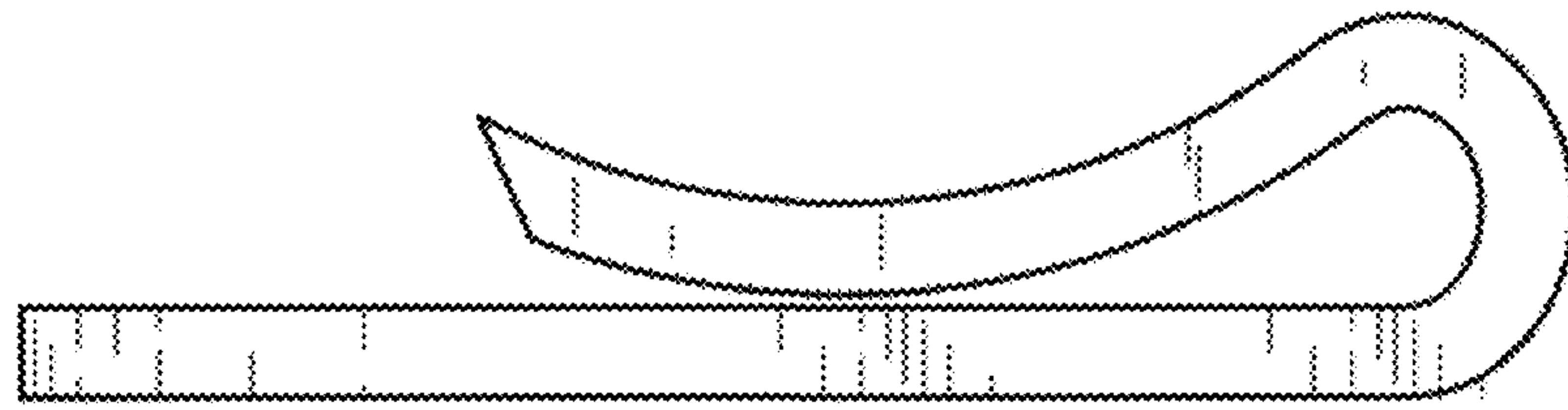


FIG. 4

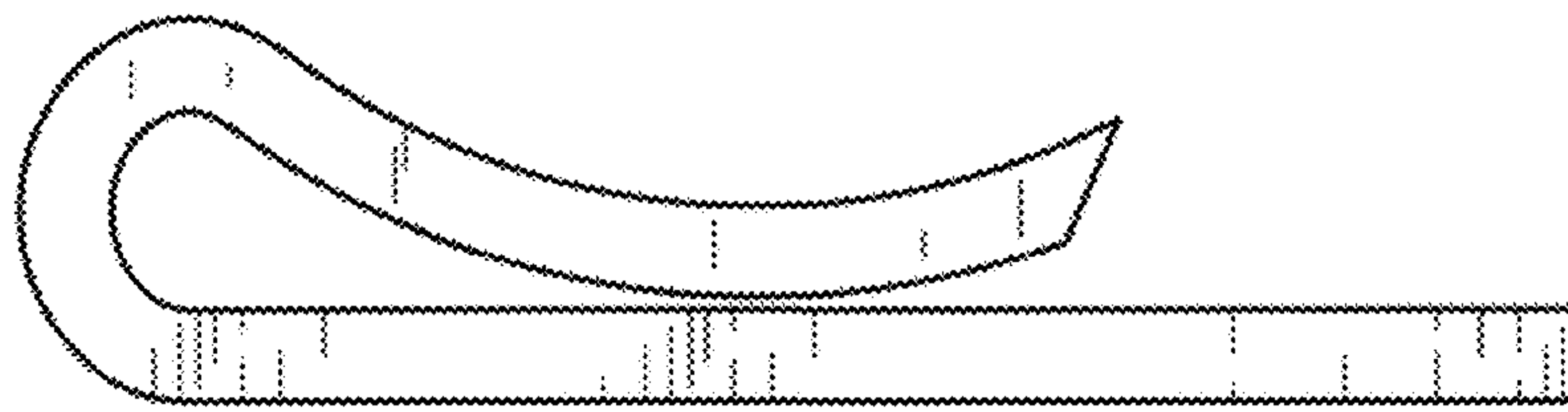


FIG. 5

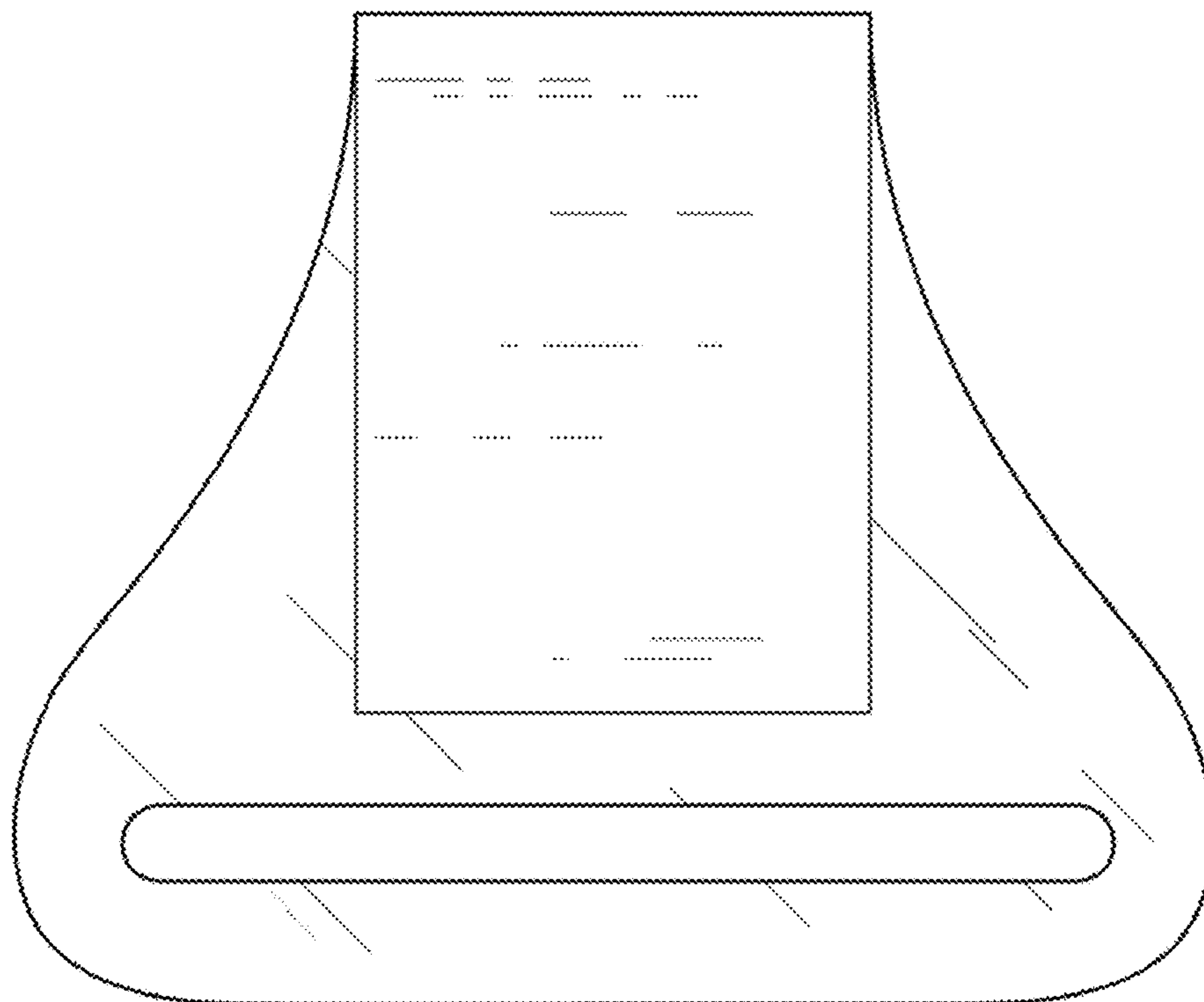


FIG. 6

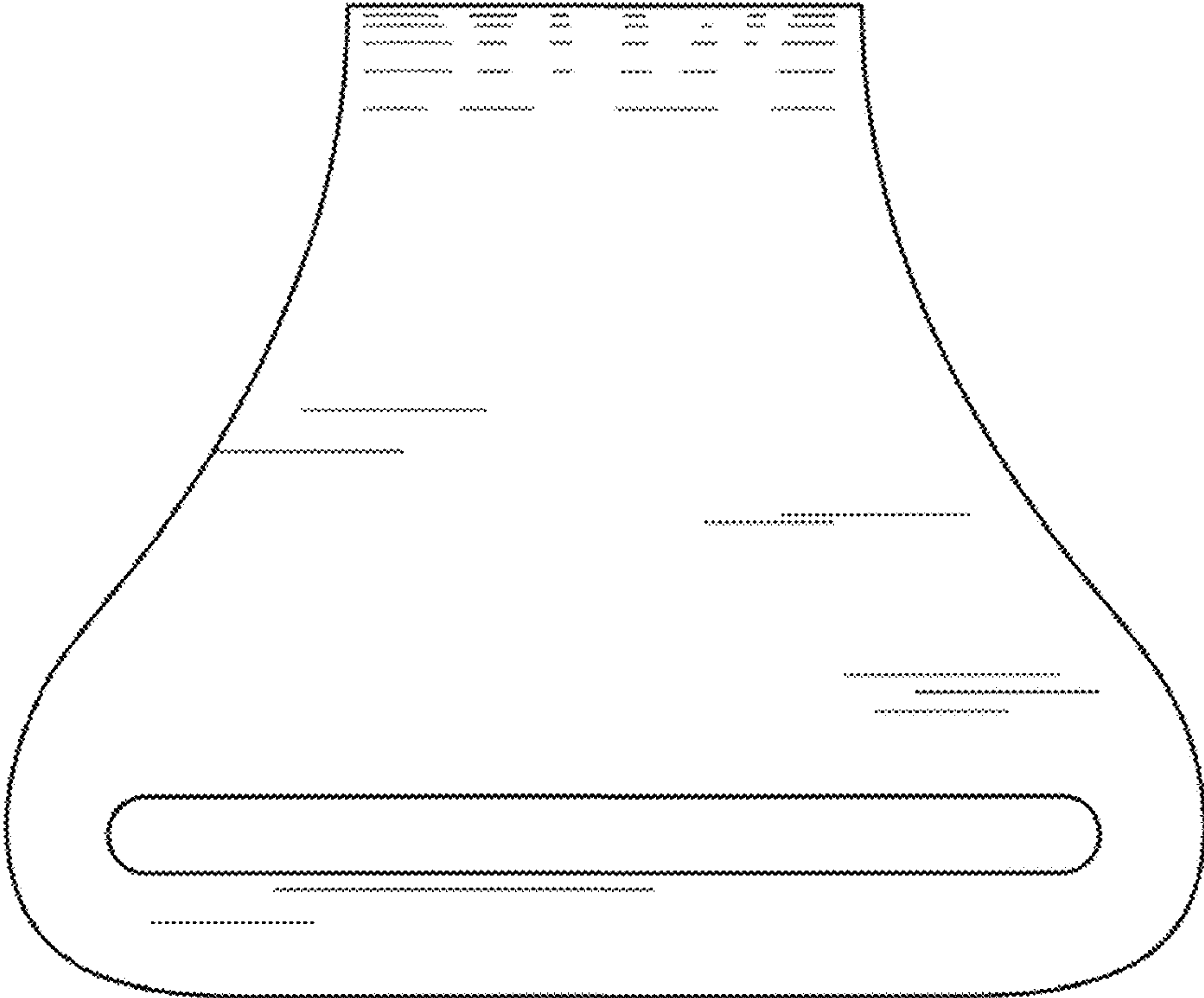


FIG. 7



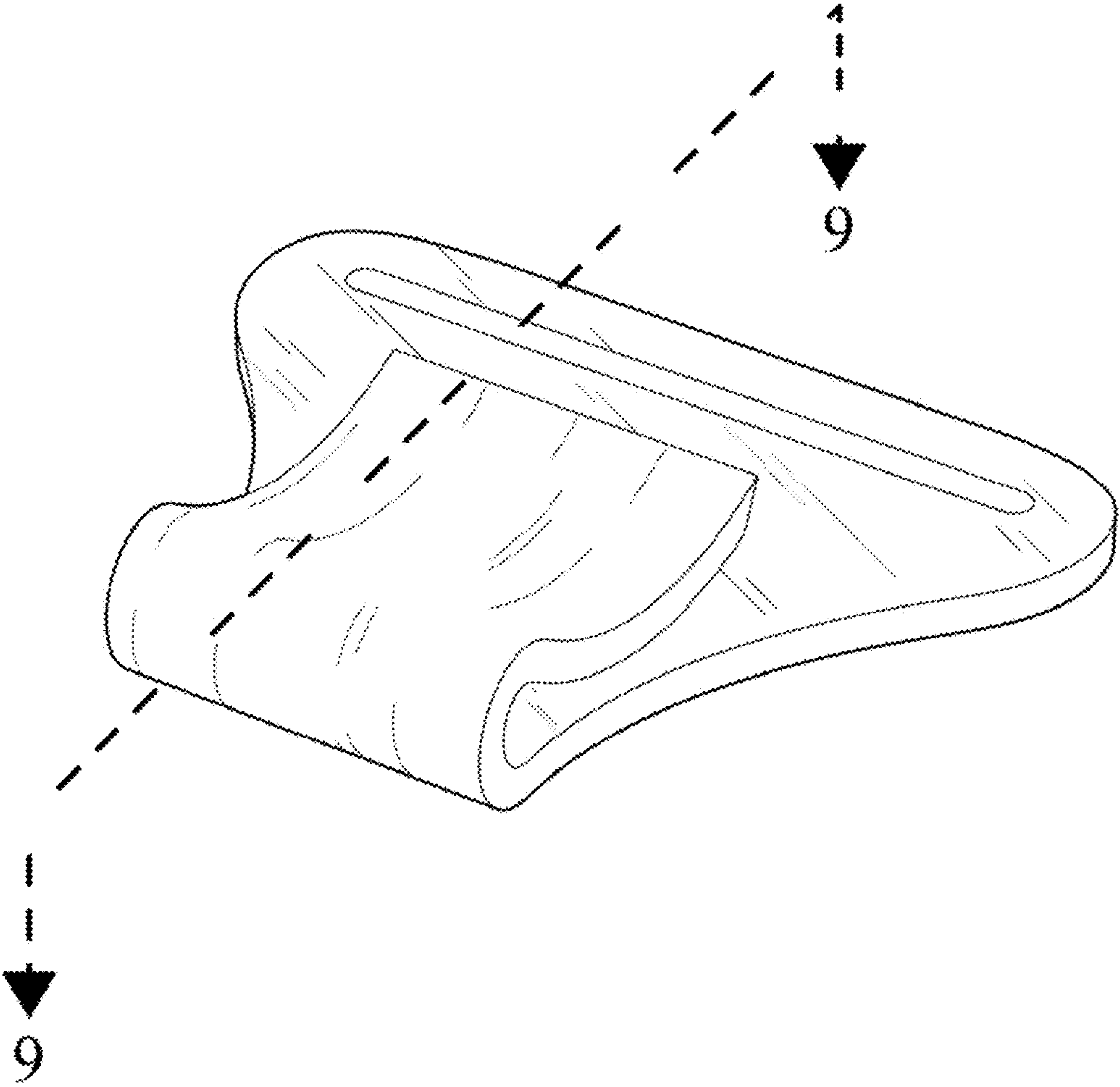


FIG. 8

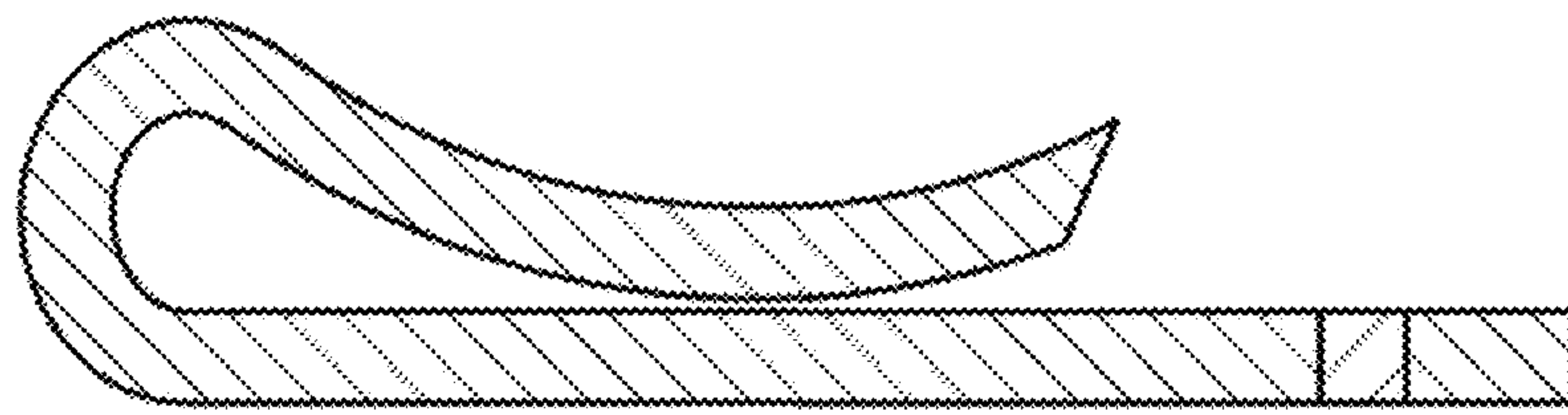


FIG. 9

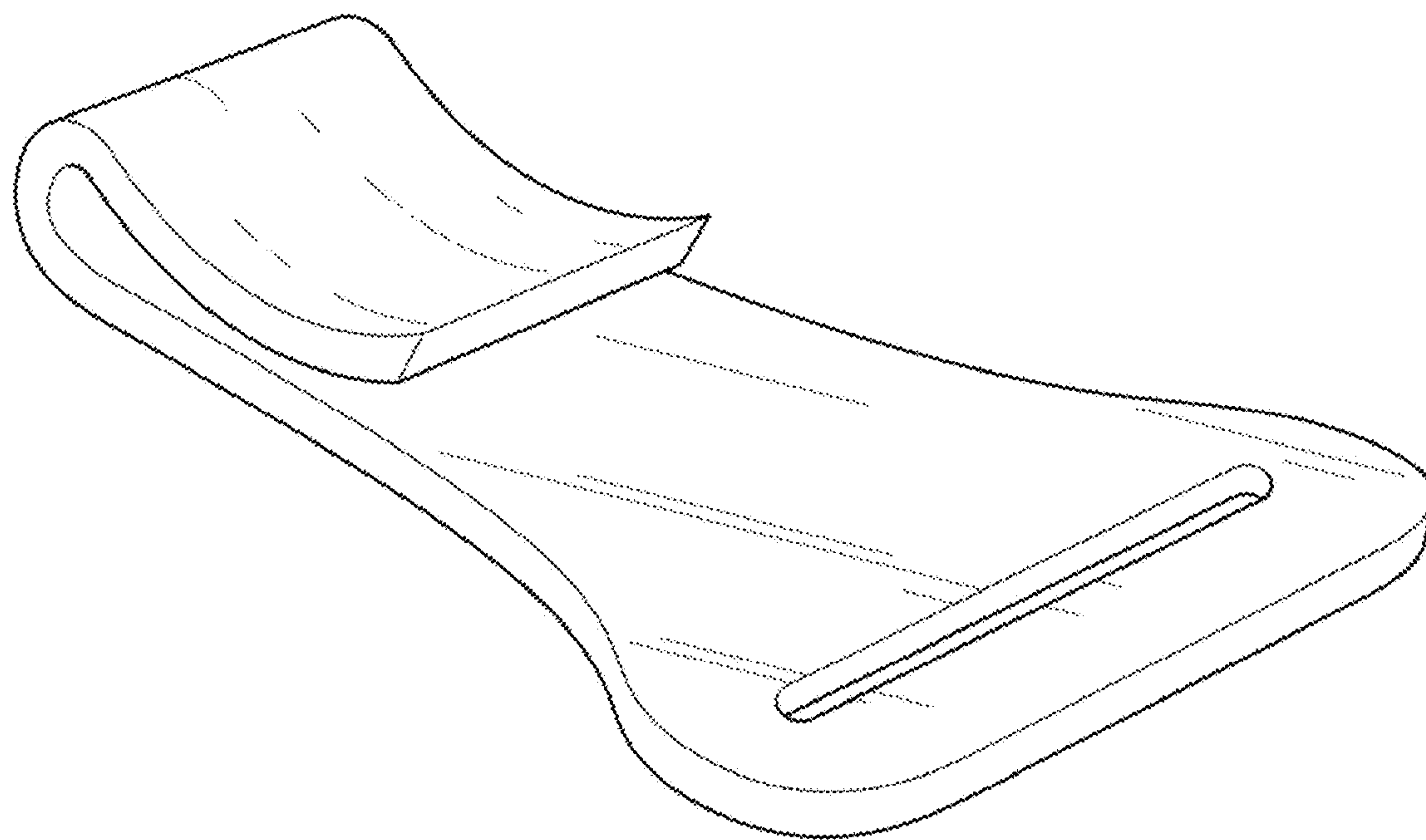


FIG. 10

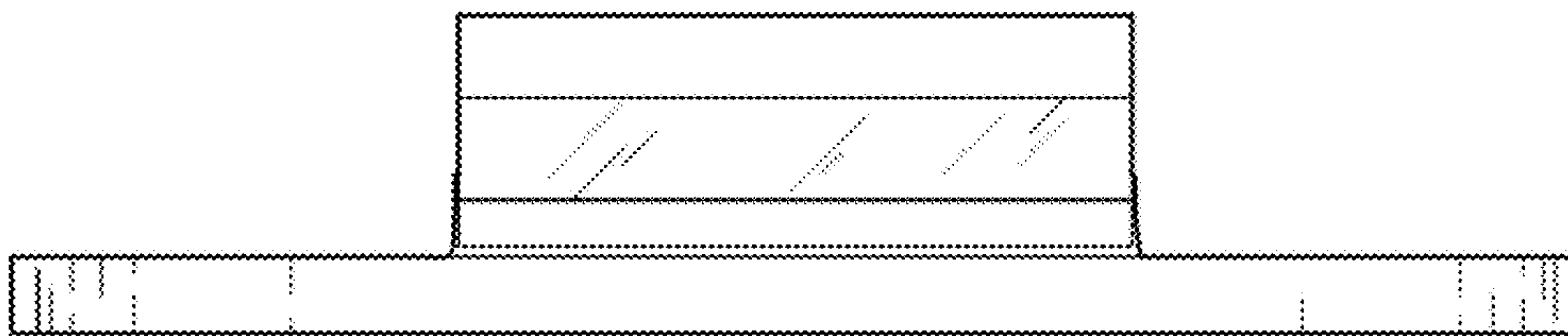


FIG. 11



FIG. 12

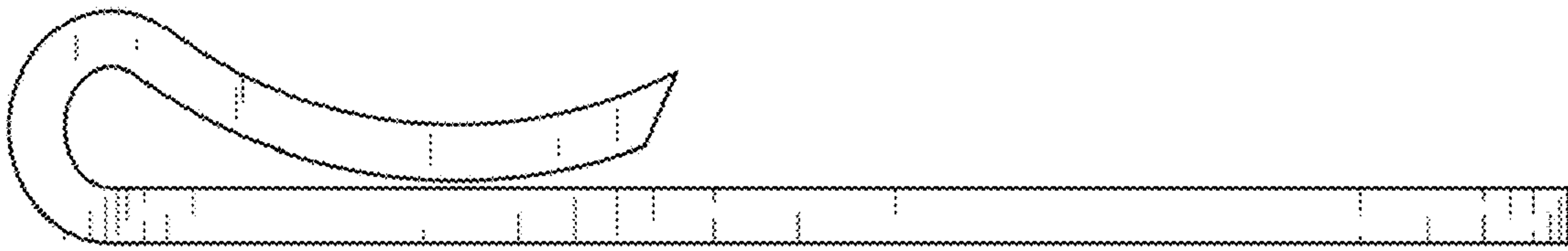


FIG. 13

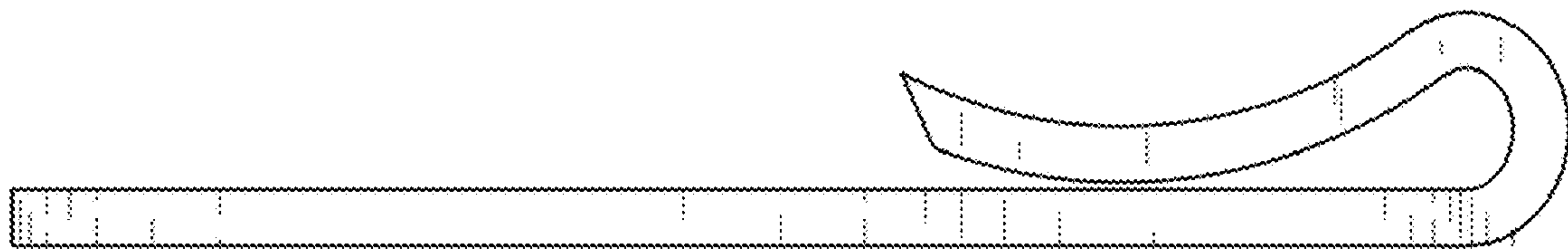


FIG. 14

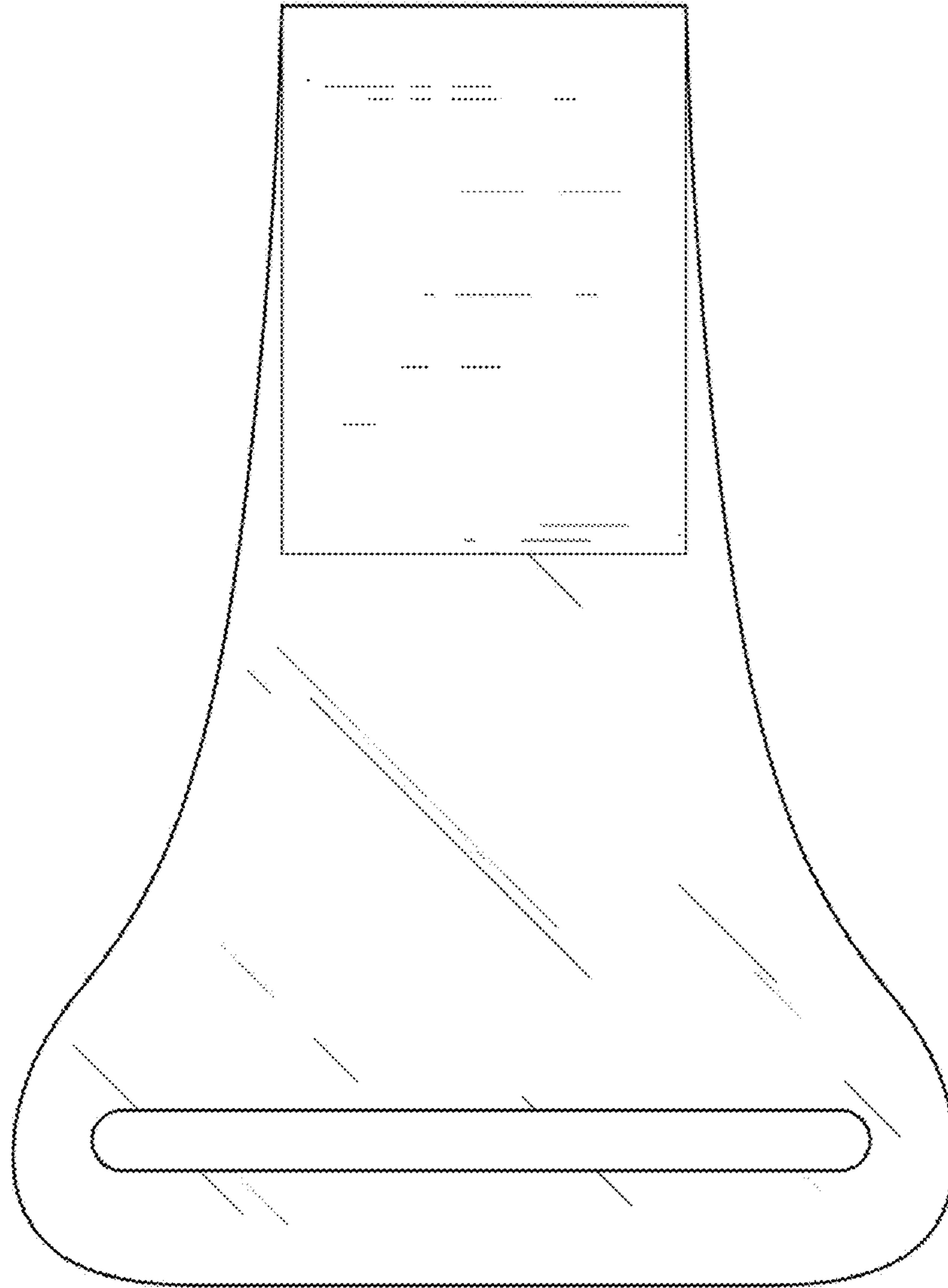


FIG. 15



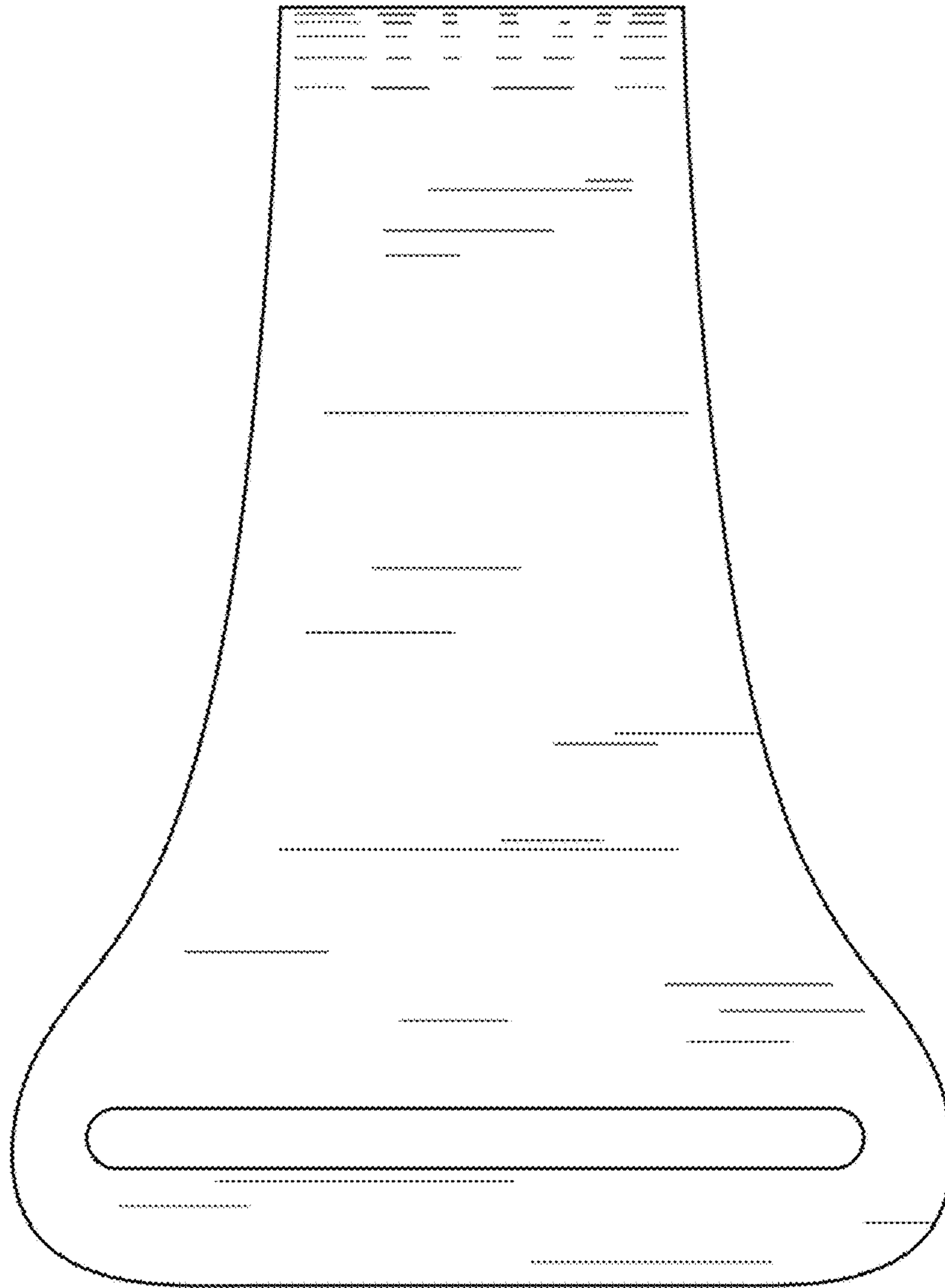


FIG. 16

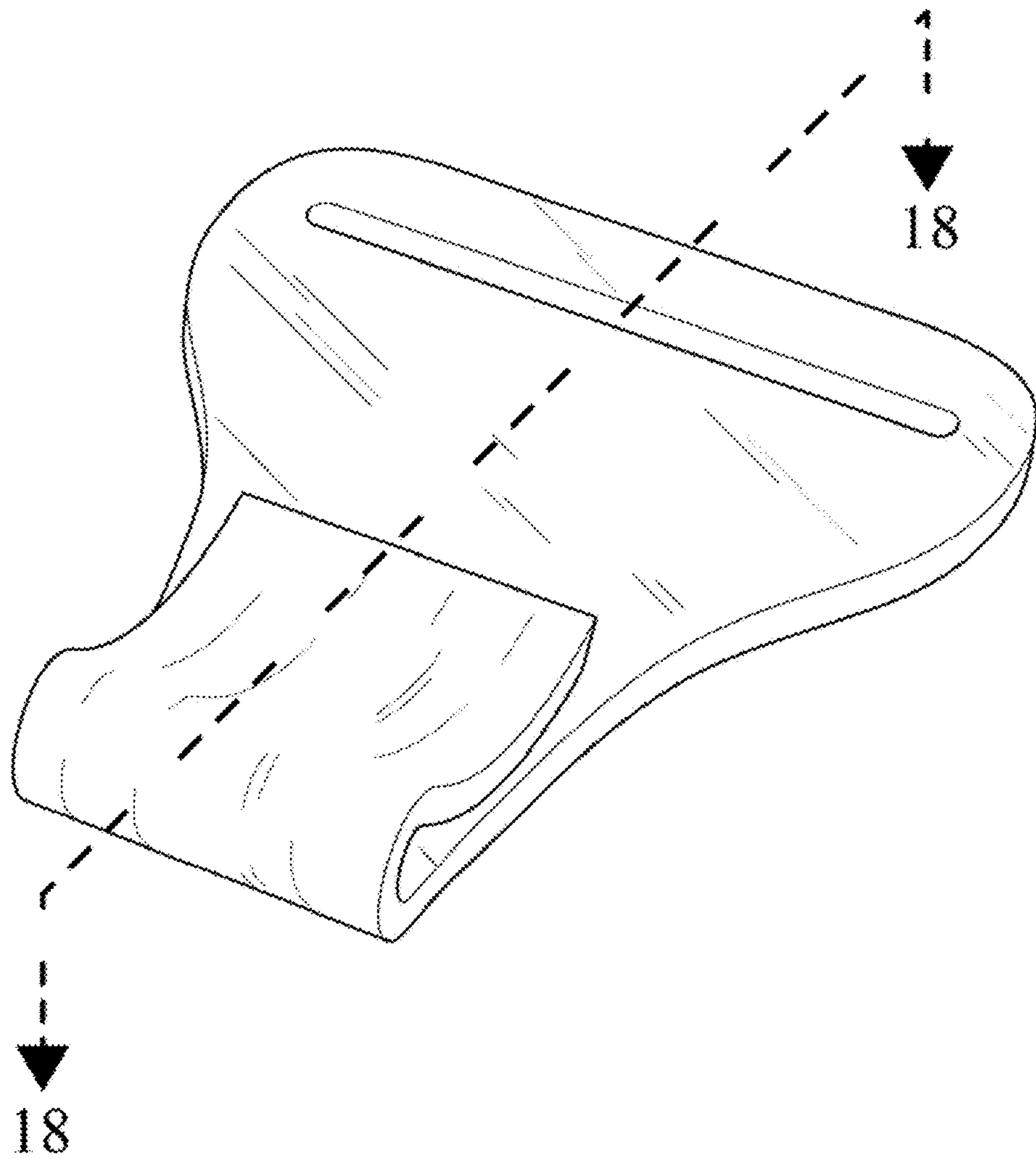


FIG. 17

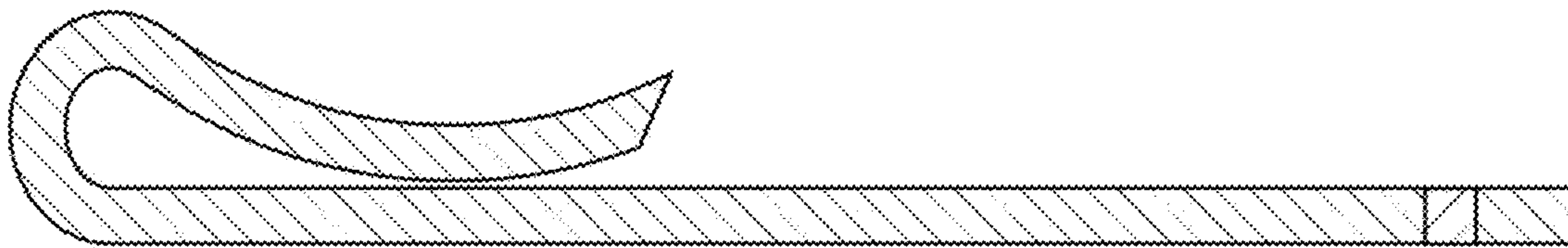


FIG. 18