



US00D830050S

(12) **United States Design Patent**  
**Gordon et al.**

(10) **Patent No.:** **US D830,050 S**  
(45) **Date of Patent:** **\*\* Oct. 9, 2018**

(54) **HYDRATION SYSTEM**  
(71) Applicant: **CamelBak Products, LLC**, Petaluma, CA (US)  
(72) Inventors: **William Gordon**, Petaluma, CA (US);  
**Andy Rees**, Petaluma, CA (US);  
**Kaydee Boone**, Petaluma, CA (US)  
(73) Assignee: **CamelBak Products, LLC**, Petaluma, CA (US)  
(\*\*) Term: **15 Years**

6,908,015 B2 \* 6/2005 Choi ..... A45F 3/20  
128/203.21  
6,994,269 B2 2/2006 Lien  
D517,308 S \* 3/2006 Khalifa ..... D3/202  
7,014,077 B2 \* 3/2006 Brown ..... A45F 3/20  
215/306  
7,083,063 B2 \* 8/2006 Lien ..... B65D 33/06  
220/291  
D539,027 S \* 3/2007 Gressock ..... D3/202  
D560,905 S \* 2/2008 Young ..... D3/202  
D562,132 S \* 2/2008 LaMasney ..... D9/439  
7,398,891 B2 \* 7/2008 Yang ..... A45F 3/20  
215/306  
7,600,656 B2 10/2009 Karl et al.  
D613,497 S \* 4/2010 Pho ..... D3/216  
D622,500 S \* 8/2010 Pho ..... D3/216

(21) Appl. No.: **29/565,625**

(22) Filed: **May 23, 2016**

(51) **LOC (11) Cl.** ..... **03-01**

(52) **U.S. Cl.**  
USPC ..... **D3/202**

(58) **Field of Classification Search**  
USPC ..... D3/201, 202, 216; D9/705, 708, 709,  
D9/446, 439  
CPC ..... A45F 2003/166; A45F 2003/163; A45F  
3/18; A45F 3/20; A45F 2003/205; A45F  
2200/0583  
See application file for complete search history.

(56) **References Cited**

**U.S. PATENT DOCUMENTS**

3,326,363 A \* 6/1967 Bennett ..... B65D 51/28  
206/219  
D267,545 S \* 1/1983 Mineo ..... D9/439  
D319,018 S \* 8/1991 West ..... D9/446  
5,727,714 A 3/1998 Fawcett  
6,070,767 A 6/2000 Gardner et al.  
6,497,348 B2 12/2002 Forsman et al.  
6,675,998 B2 \* 1/2004 Forsman ..... A45F 3/20  
215/306  
D491,062 S \* 6/2004 Hoff ..... D9/435  
D505,540 S \* 5/2005 Lien ..... D24/207

(Continued)

**FOREIGN PATENT DOCUMENTS**

WO WO 2010/151848 12/2010

*Primary Examiner* — John Windmuller  
*Assistant Examiner* — Steven J Czyz

(74) *Attorney, Agent, or Firm* — Dascenzo Intellectual  
Property Law, P.C.; David S. D'Ascenzo

(57) **CLAIM**

The ornamental design for a hydration system, as shown and described.

**DESCRIPTION**

FIG. 1 is a top perspective view of a hydration system showing the design.

FIG. 2 is a top plan view of the design.

FIG. 3 is a bottom plan view of the design.

FIG. 4 is a left side elevation view of the design.

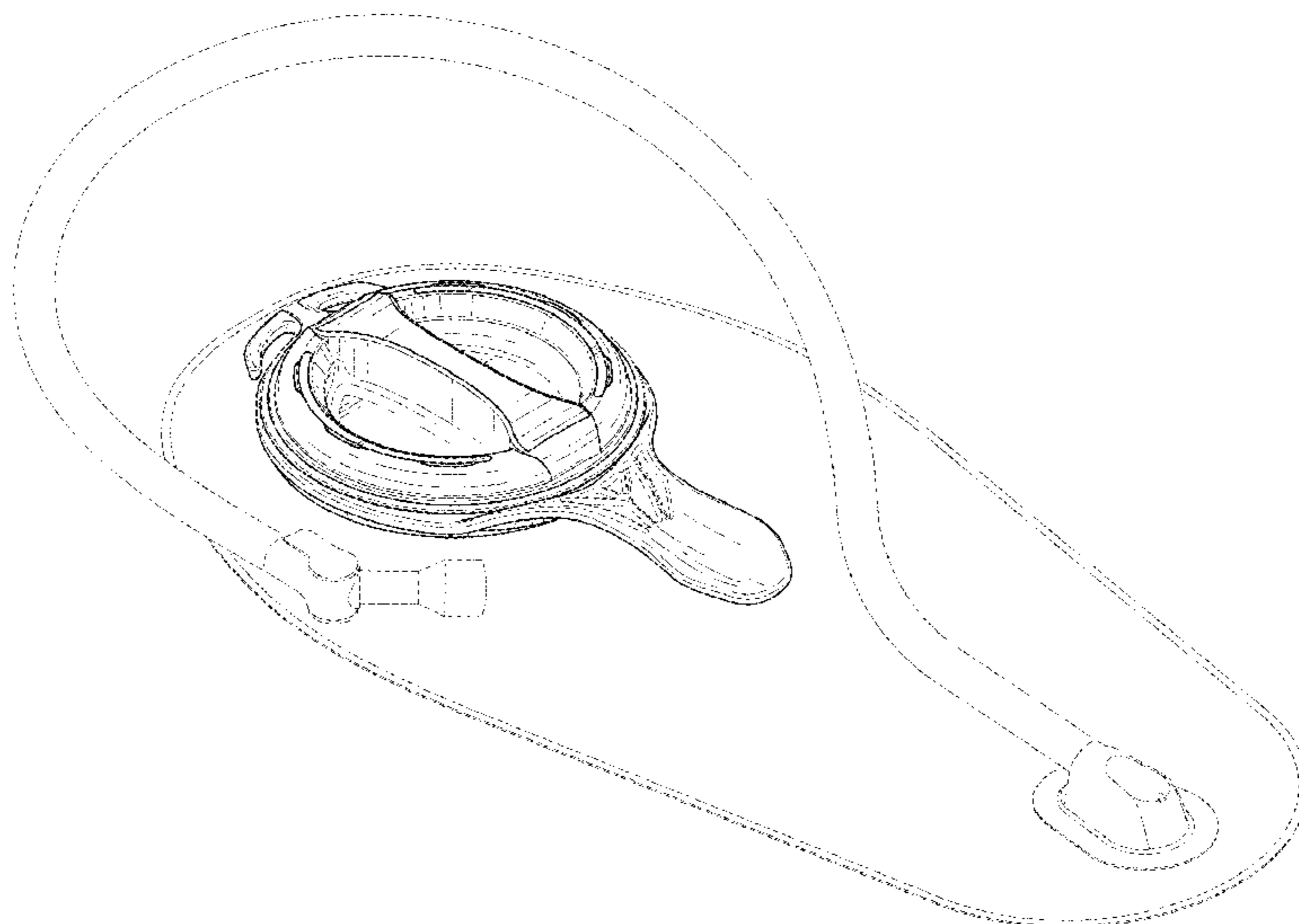
FIG. 5 is a right side elevation view of the design.

FIG. 6 is rear elevation view of the design; and,

FIG. 7 is a front elevation view of the design.

The broken lines depict portions of the article that form no part of the claimed design.

**1 Claim, 5 Drawing Sheets**



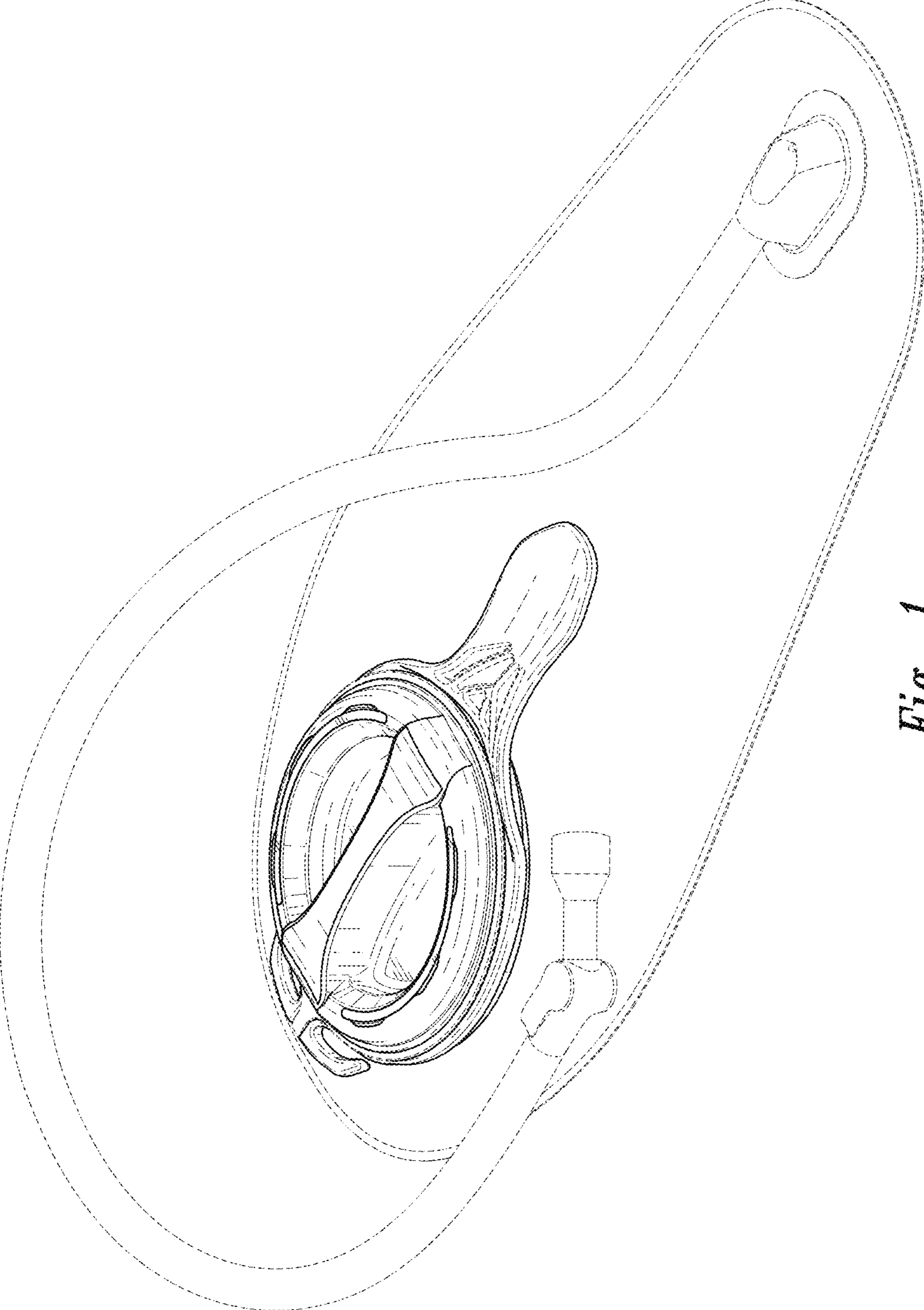
(56)

**References Cited**

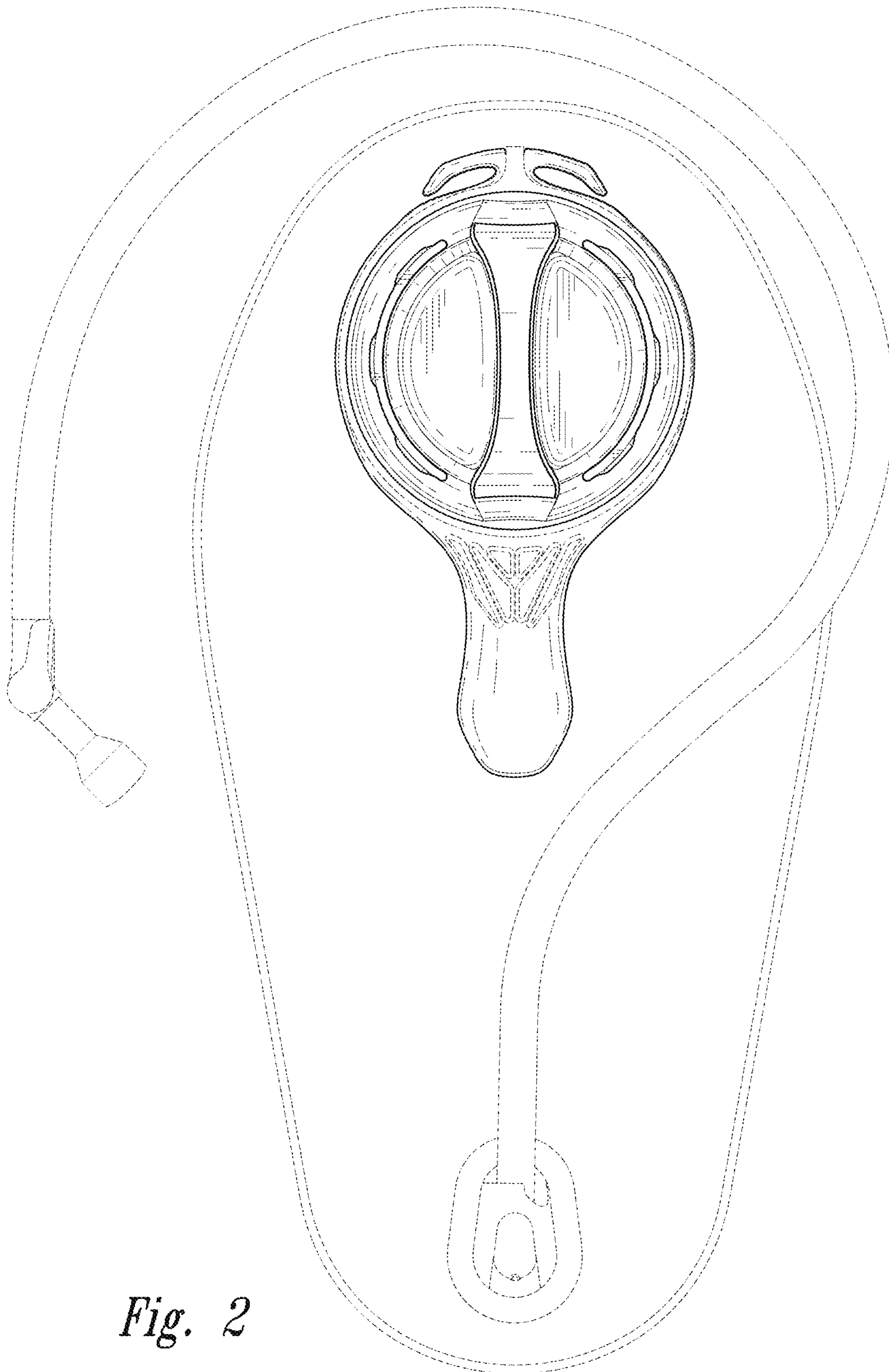
U.S. PATENT DOCUMENTS

D640,466	S *	6/2011	Staton	.....	D3/202
D647,800	S *	11/2011	Rigling	.....	D9/446
8,166,969	B2 *	5/2012	Hall	.....	A45F 3/20
					128/202.15
8,177,097	B2 *	5/2012	Duran	.....	A45F 3/20
					222/105
8,267,283	B2 *	9/2012	Staton	.....	A45F 3/20
					222/175
8,276,785	B1	10/2012	Wheatley et al.		
D757,541	S *	5/2016	Wu	.....	D9/439
D765,508	S *	9/2016	Wu	.....	D9/439
2006/0231561	A1 *	10/2006	Choi	.....	A45F 3/20
					220/714
2007/0075094	A1	4/2007	Brown		

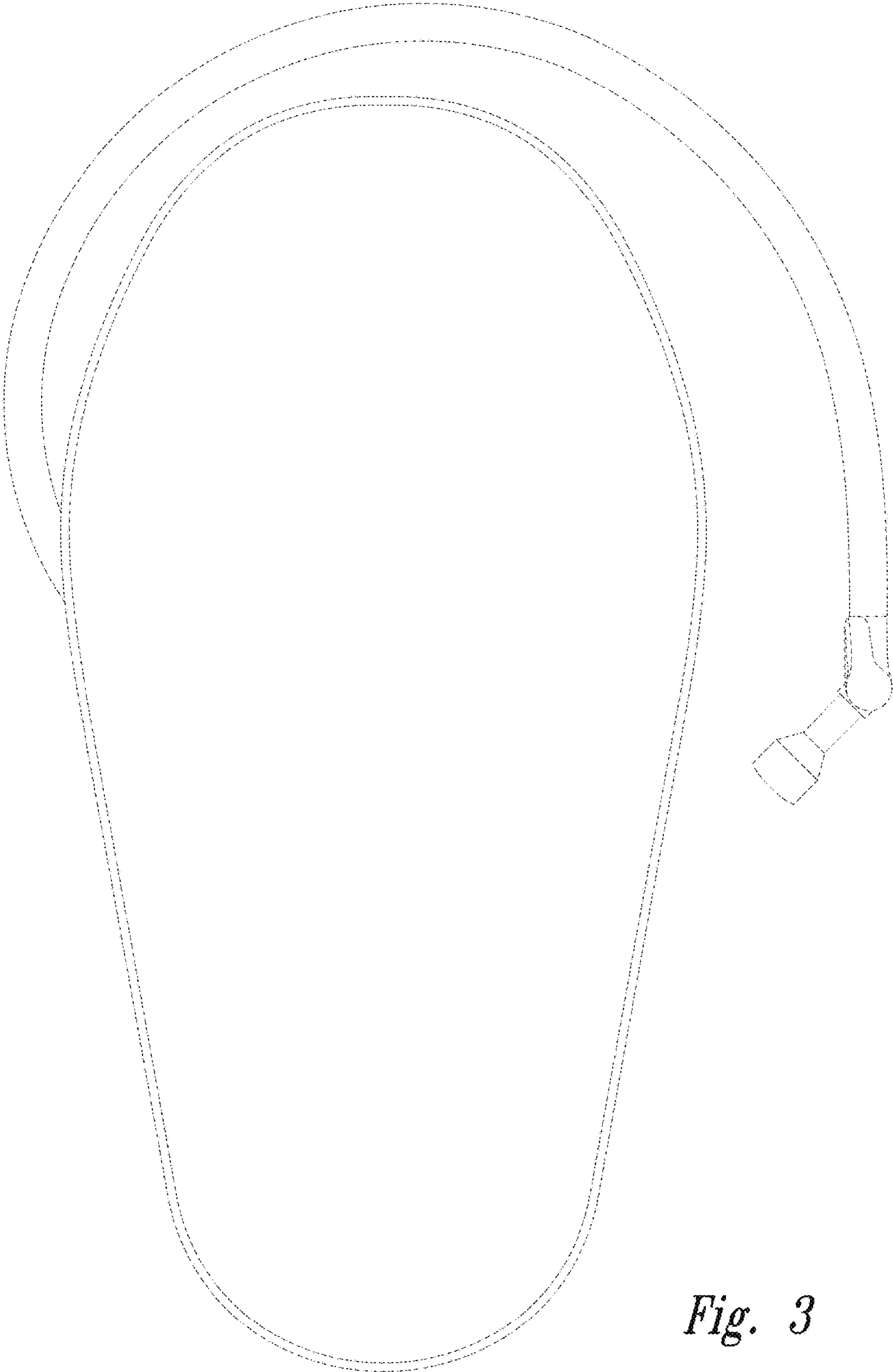
\* cited by examiner



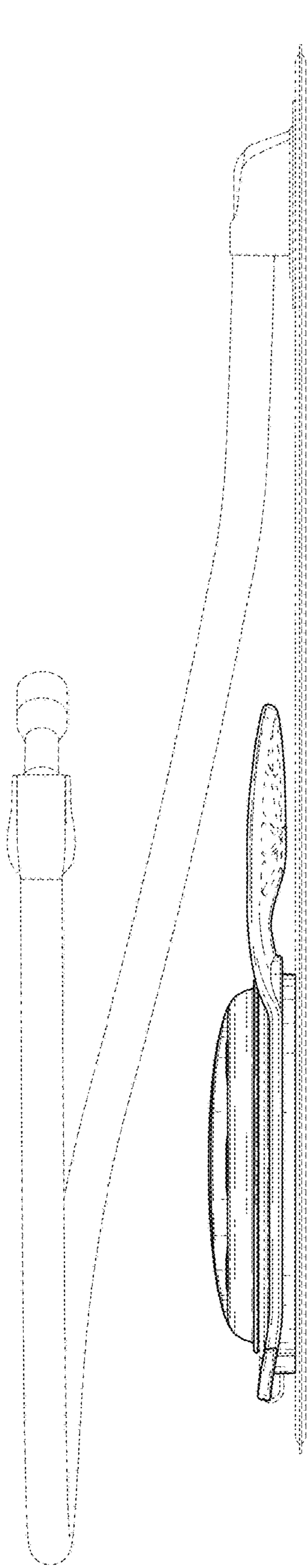
*Fig. 1*



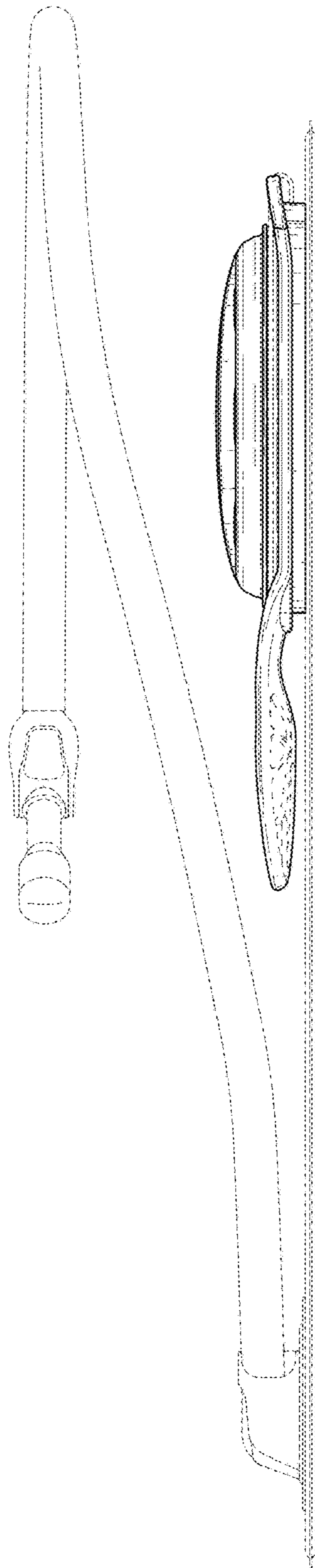
*Fig. 2*



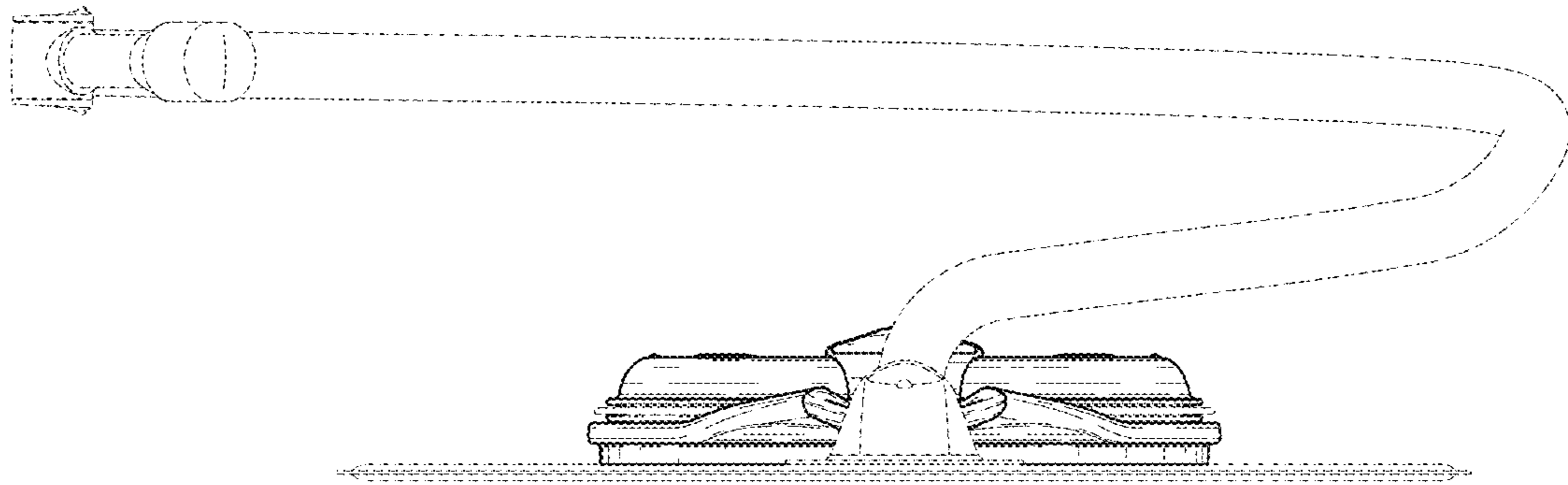
*Fig. 3*



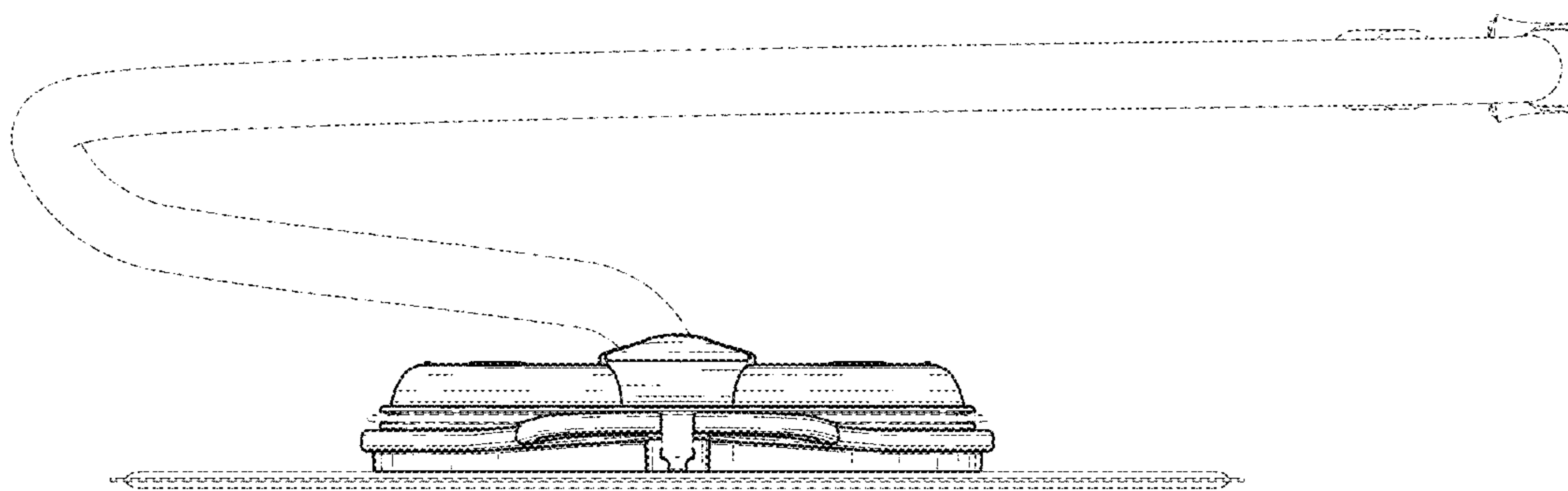
*Fig. 4*



*Fig. 5*



*Fig. 6*



*Fig. 7*