



US00D830045S

(12) **United States Design Patent**
Cain

(10) **Patent No.:** **US D830,045 S**

(45) **Date of Patent:** **** Oct. 9, 2018**

- (54) **ANTI-SLIP SHOE ATTACHMENT**
- (71) Applicant: **Richard Elbert Cain**, Statesville, NC (US)
- (72) Inventor: **Richard Elbert Cain**, Statesville, NC (US)
- (**) Term: **15 Years**
- (21) Appl. No.: **29/609,721**
- (22) Filed: **Jul. 5, 2017**
- (51) **LOC (11) Cl.** **02-04**
- (52) **U.S. Cl.**
USPC **D2/962**
- (58) **Field of Classification Search**
USPC D2/946-960, 961, 962, 896, 968;
D24/124, 126; 36/43, 44, 72 R, 7.6
CPC A43B 19/00; A43B 17/14; A43B 17/02;
A43B 17/03; A43B 13/14; A43B 17/00;
A43B 17/18; A43B 7/149; A43B 7/14;
A43B 19/005; A43B 17/026; A43B
9/125; A43B 17/006; A43B 13/00; A43B
13/42; A43C 15/06; A43C 13/14
See application file for complete search history.

2,160,768 A *	5/1939	Wasser	A43C 13/14
				36/72 R
3,019,533 A *	2/1962	Smith	A43B 3/128
				36/7.6
3,229,389 A	1/1966	Adams		
2,425,939 A	12/1975	Rudolph		
D262,157 S	12/1981	Kinchen		
D313,111 S	12/1990	McKinstry		
5,813,143 A	9/1998	Bell		
5,950,334 A *	9/1999	Gerhardt	A43B 5/18
				36/59 R
1,087,000 A1	3/2001	Rinrel		
7,762,010 B2 *	7/2010	Sartor	A43B 23/086
				36/72 R
D747,597 S	1/2016	Raisanen		
2003/0145489 A1	8/2003	Major		
2004/0045190 A1	3/2004	Washburn		

FOREIGN PATENT DOCUMENTS

CA 2225301 A1 3/2001

* cited by examiner

Primary Examiner — Cynthia Ramirez
Assistant Examiner — Laura H Yu

(57) **CLAIM**

I claim the ornamental design for a anti-slip shoe attachment, as shown and described.

DESCRIPTION

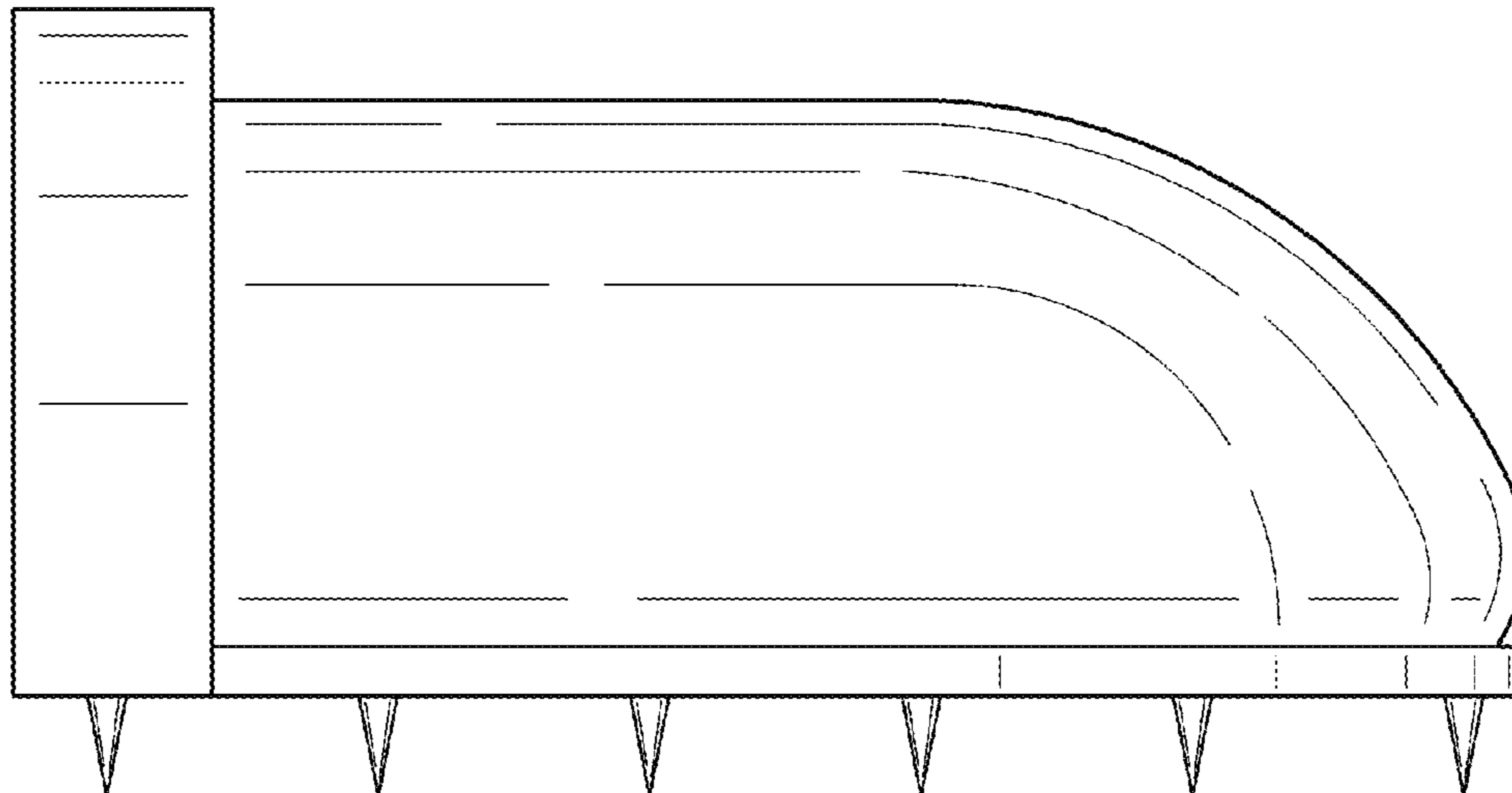
FIG. 1 is a left side view of the anti-slip shoe attachment showing my design.
FIG. 2 is a right side view thereof.
FIG. 3 is a front view thereof.
FIG. 4 is a back view thereof.
FIG. 5 is a top view thereof; and,
FIG. 6 is a bottom view there.

1 Claim, 4 Drawing Sheets

(56) **References Cited**

U.S. PATENT DOCUMENTS

1,032,600 A	7/1912	Grout	
1,098,232 A *	5/1914	Decius A43C 15/06
			36/113
1,276,964 A *	8/1918	Roe A43C 15/06
			36/7.6
1,458,497 A *	6/1923	Perkins A43C 15/066
			36/7.6
1,506,662 A *	8/1924	Peller A43C 15/06
			36/1
1,552,946 A *	9/1925	Perkins A43C 15/06
			36/7.6



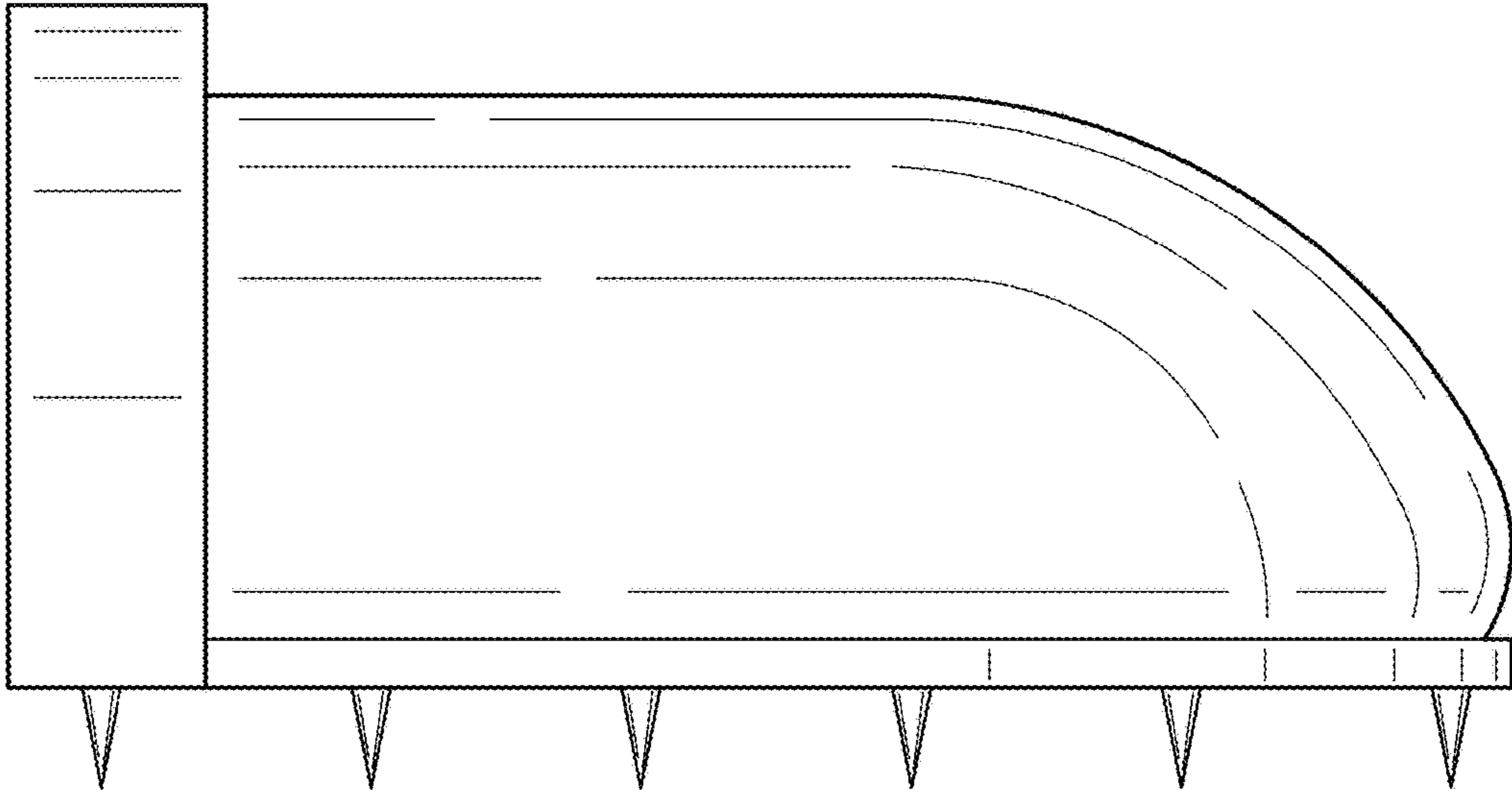


FIG. 1

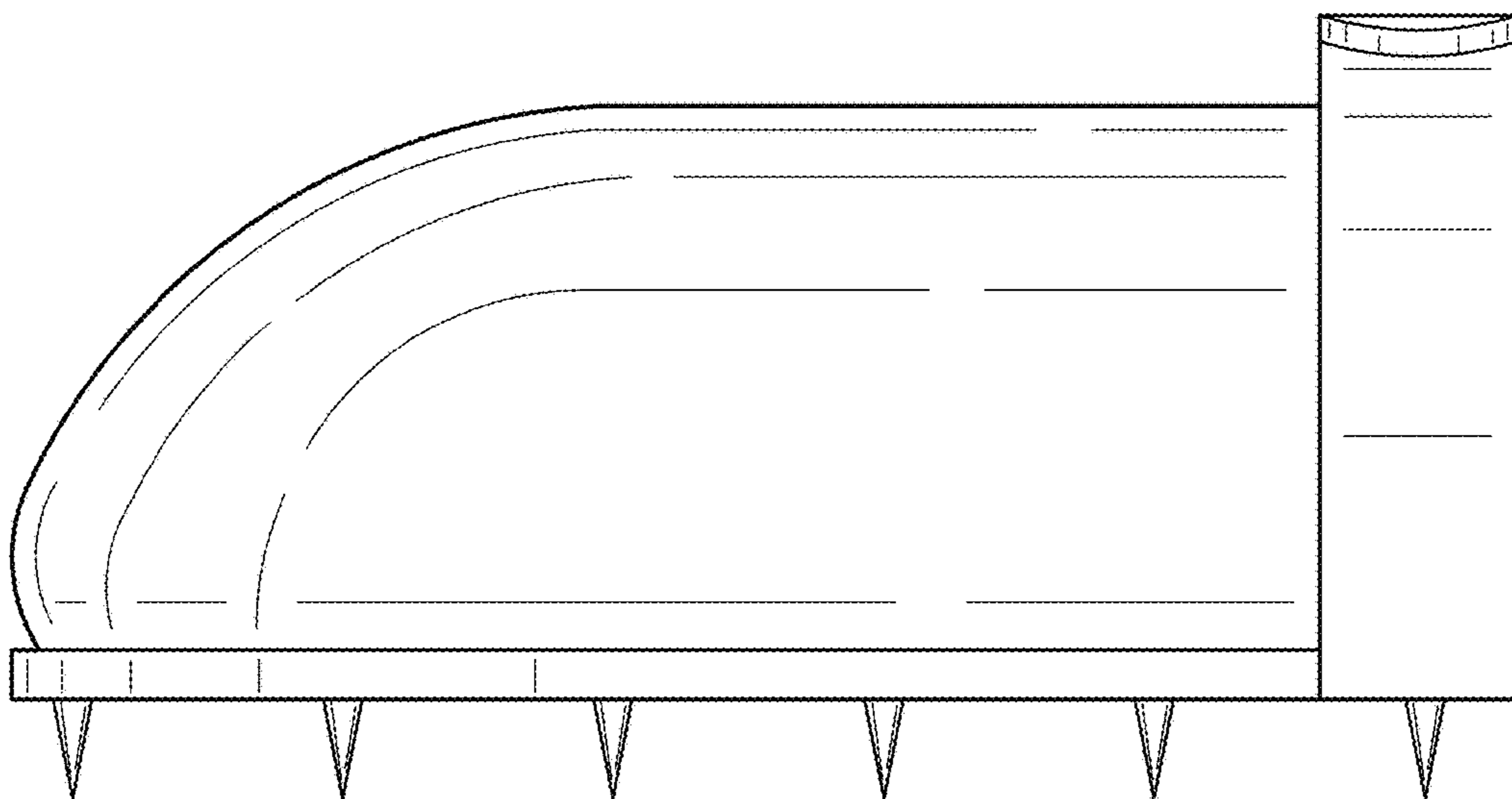


FIG. 2

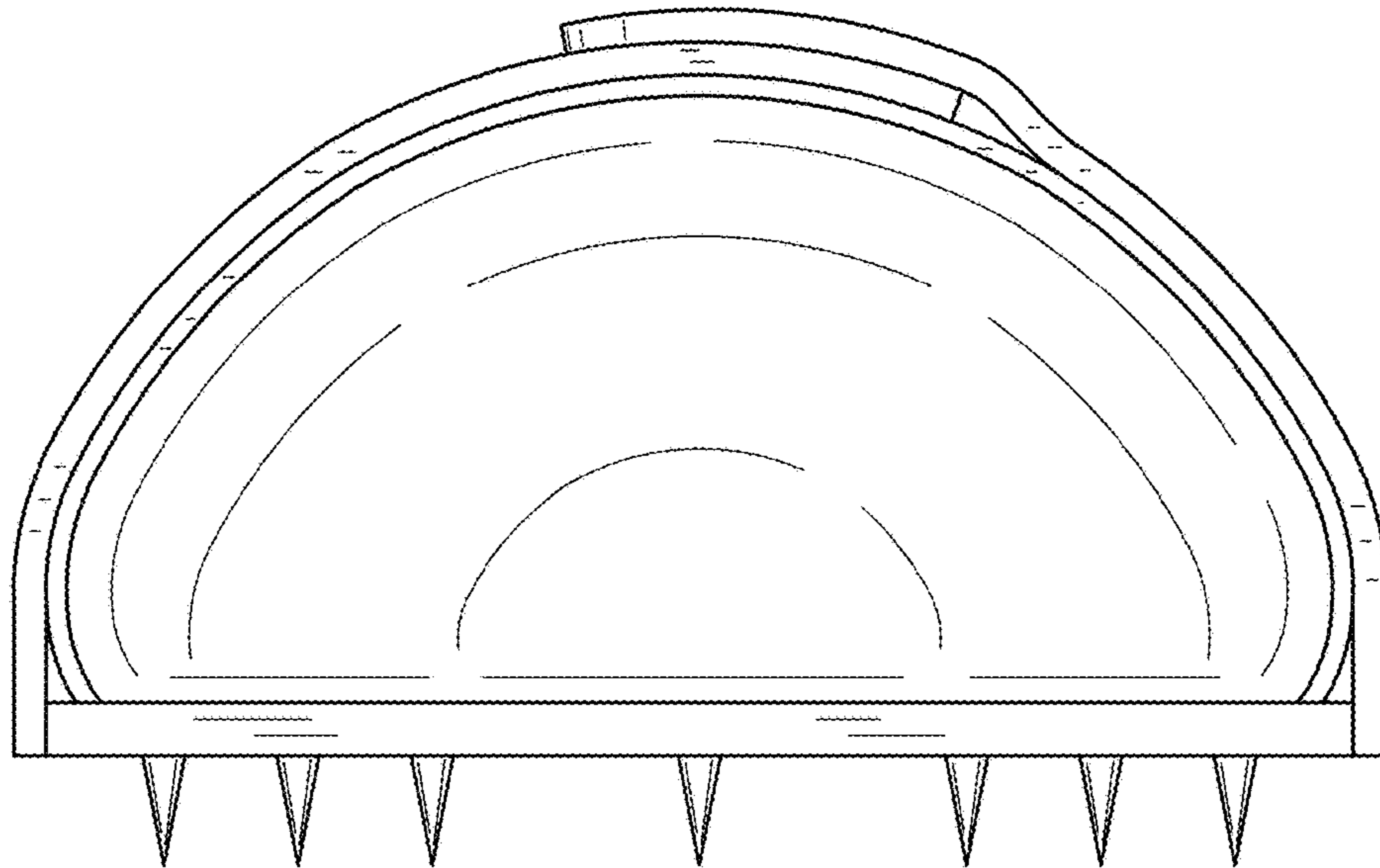


FIG. 3

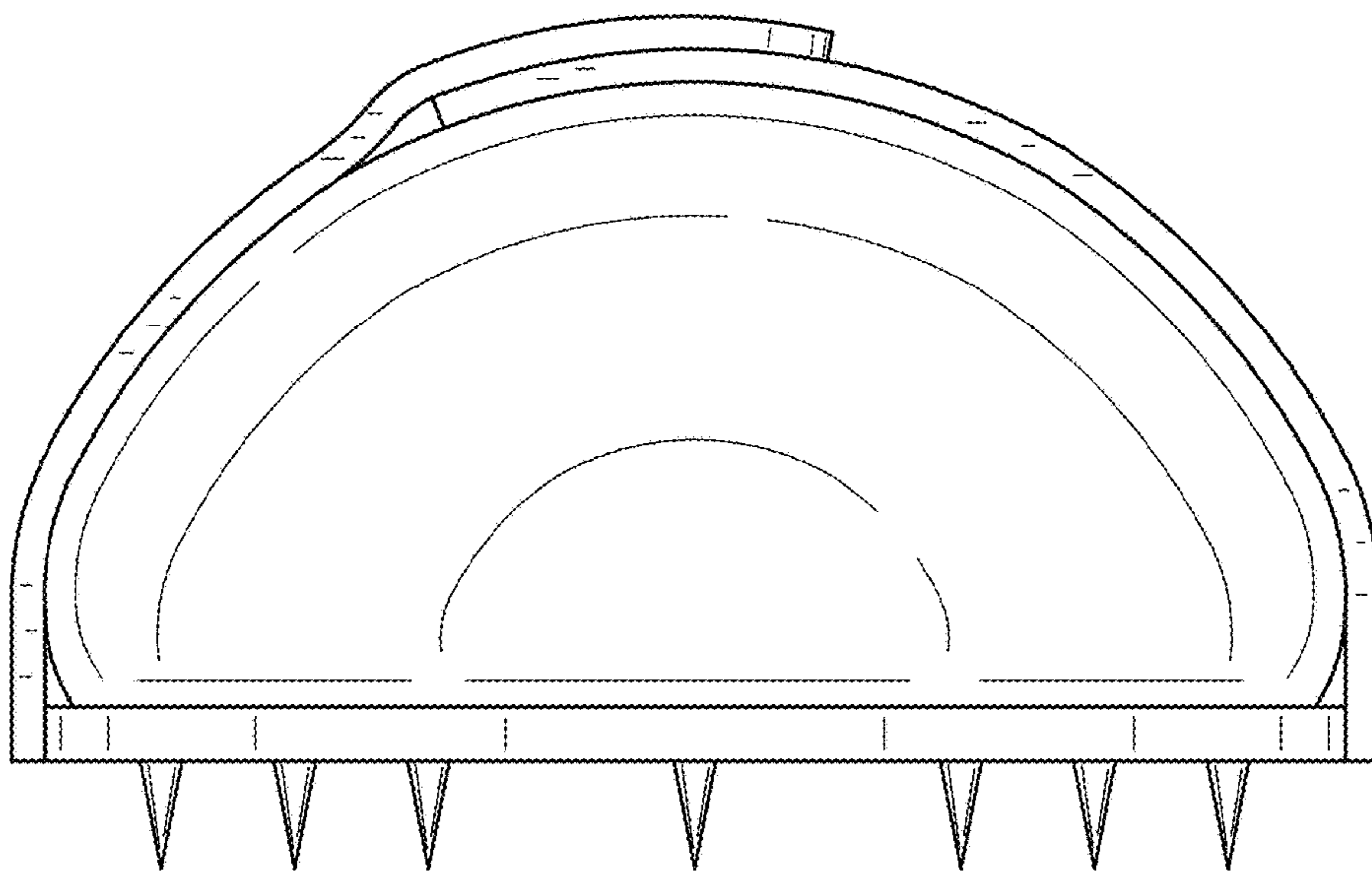


FIG. 4

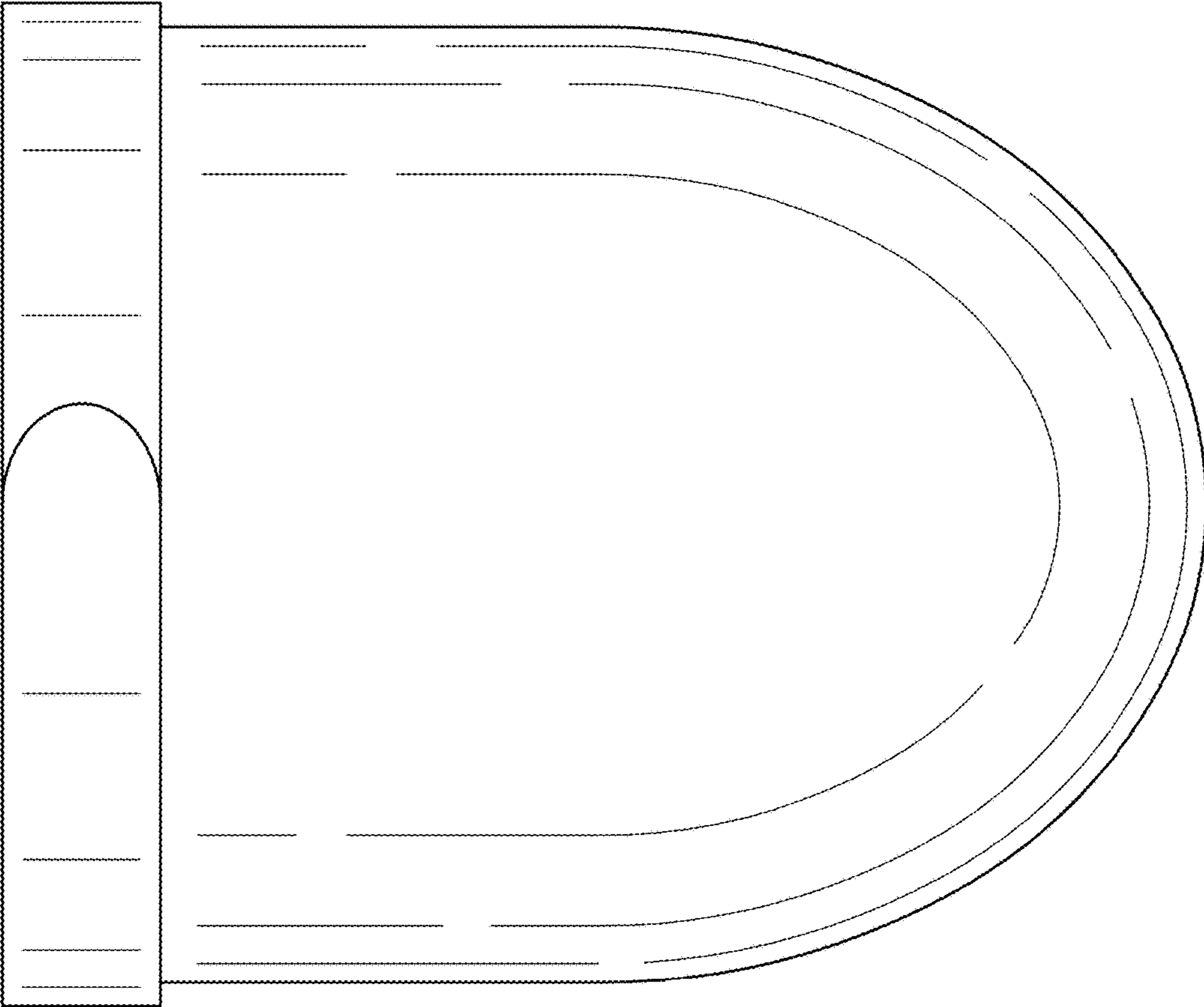


FIG. 5

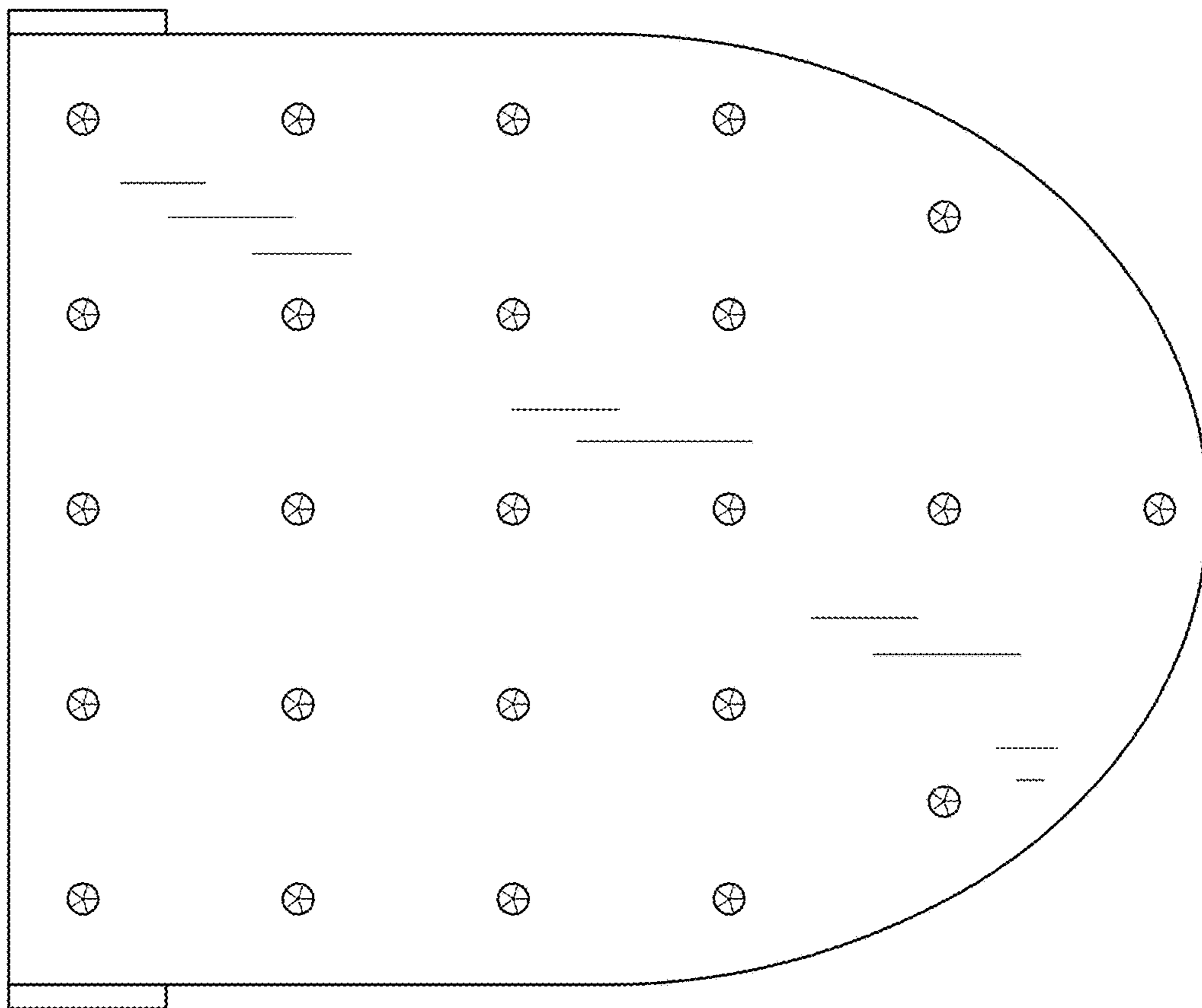


FIG. 6