



US00D830033S

(12) **United States Design Patent**
Babel et al.

(10) **Patent No.:** **US D830,033 S**
(45) **Date of Patent:** **** Oct. 2, 2018**

(54) **POWER UNIT COVER FOR AN INDUSTRIAL VEHICLE**

(71) Applicant: **Crown Equipment Corporation**, New Bremen, OH (US)

(72) Inventors: **Christoph Babel**, Tuerkenfeld (DE);
Christian Molnar, Forstinning (DE);
James Kraimer, Haimhausen (DE)

(73) Assignee: **Crown Equipment Corporation**, New Bremen, OH (US)

(**) Term: **15 Years**

(21) Appl. No.: **29/626,099**

(22) Filed: **Nov. 15, 2017**

Related U.S. Application Data

(62) Division of application No. 29/579,222, filed on Sep. 28, 2016, now Pat. No. Des. 807,609.

(51) **LOC (11) Cl.** **12-05**

(52) **U.S. Cl.**
USPC **D34/35**

(58) **Field of Classification Search**
USPC D34/12, 16, 17, 21, 23, 24, 25, 28, 34,
D34/35, 38; 414/2, 7, 574, 592, 631,
414/642, 679, 685; 280/43.12, 87.041,
280/638; 187/222, 224, 231, 237, 238,
187/414; 180/89.12, 299, 315, 325;
D15/28
CPC .. B66F 5/02; B66F 5/025; B66F 7/246; Y10T
74/18576
See application file for complete search history.

(56) **References Cited**

U.S. PATENT DOCUMENTS

D386,876 S * 11/1997 Niebuhr D34/34
6,125,971 A * 10/2000 Niebuhr B66F 9/07504
D34/34

6,374,939 B1 * 4/2002 Hohnstadt B60K 5/1208
180/299
D464,785 S * 10/2002 Gallagher D34/34
D576,775 S * 9/2008 Buchmann D34/34
8,075,244 B2 * 12/2011 Ellington B62B 3/0606
280/43.12
8,360,443 B2 * 1/2013 Ellington B62B 3/0612
187/224
8,540,213 B2 * 9/2013 Feiquan B66F 9/065
414/642
D692,202 S * 10/2013 Feiquan D34/34
(Continued)

Primary Examiner — Cynthia Ramirez
Assistant Examiner — Michael A Maharajh

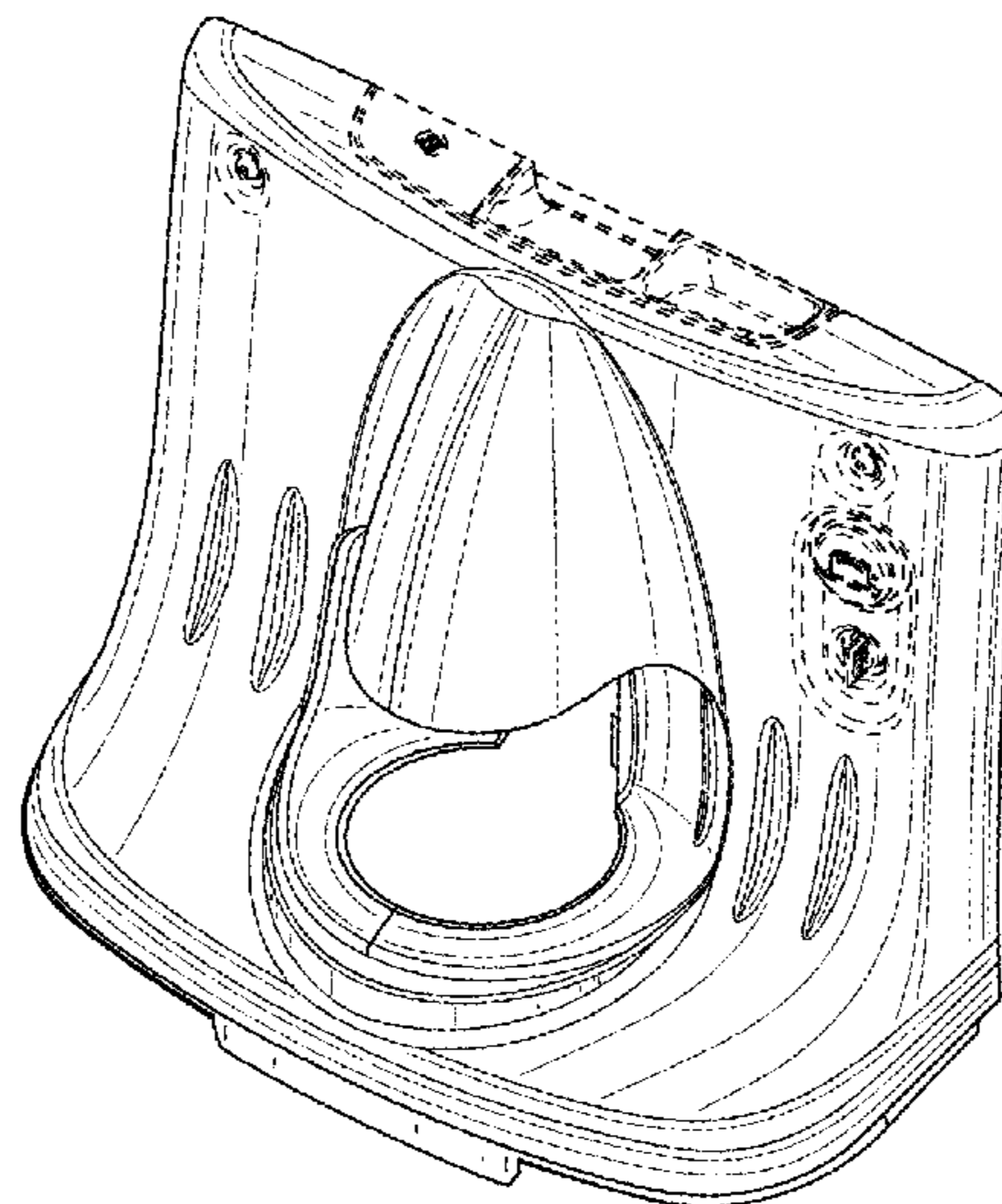
(57) **CLAIM**

The ornamental design of a power unit cover for an industrial vehicle, as shown and described.

DESCRIPTION

FIG. 1 is a back, top, left perspective view of a power unit cover for an industrial vehicle showing our new design; FIG. 2 is a back, top, right perspective view thereof; FIG. 3 is a back, bottom, right perspective view thereof; FIG. 4 is a back, bottom, left perspective view thereof; FIG. 5 is a back elevational view thereof; FIG. 6 is a front elevational view thereof; FIG. 7 is a right side elevational view thereof; FIG. 8 is a left side elevational view thereof; FIG. 9 is a top plan view thereof; and, FIG. 10 is a bottom plan view thereof. The capsule shaped elements shown in broken lines in FIG. 6 are for the purpose of illustrating portions of the power unit cover for an industrial vehicle, which form no part of the claimed design. The remaining broken lines shown in the figures are for the purpose of illustrating environmental structure which form no part of the claimed design.

1 Claim, 10 Drawing Sheets



(56)

References Cited

U.S. PATENT DOCUMENTS

D692,204 S * 10/2013 Feiquan D34/34
8,752,657 B2 * 6/2014 Newell B62B 5/0033
180/19.2
D724,106 S * 3/2015 Gallagher D15/28
D765,939 S * 9/2016 Liu D34/34
D767,236 S * 9/2016 Meng D34/34
D767,847 S * 9/2016 Liu D34/34
D770,719 S * 11/2016 He D34/34
D770,720 S * 11/2016 He D34/34
D785,894 S * 5/2017 Babel D34/35
D802,871 S * 11/2017 Knie D34/35
D807,609 S * 1/2018 Babel D34/35
2012/0080858 A1 * 4/2012 Larringan Errasti B62B 3/06
280/43.12
2015/0014948 A1 * 1/2015 Keen B62B 3/0618
280/43.12

* cited by examiner

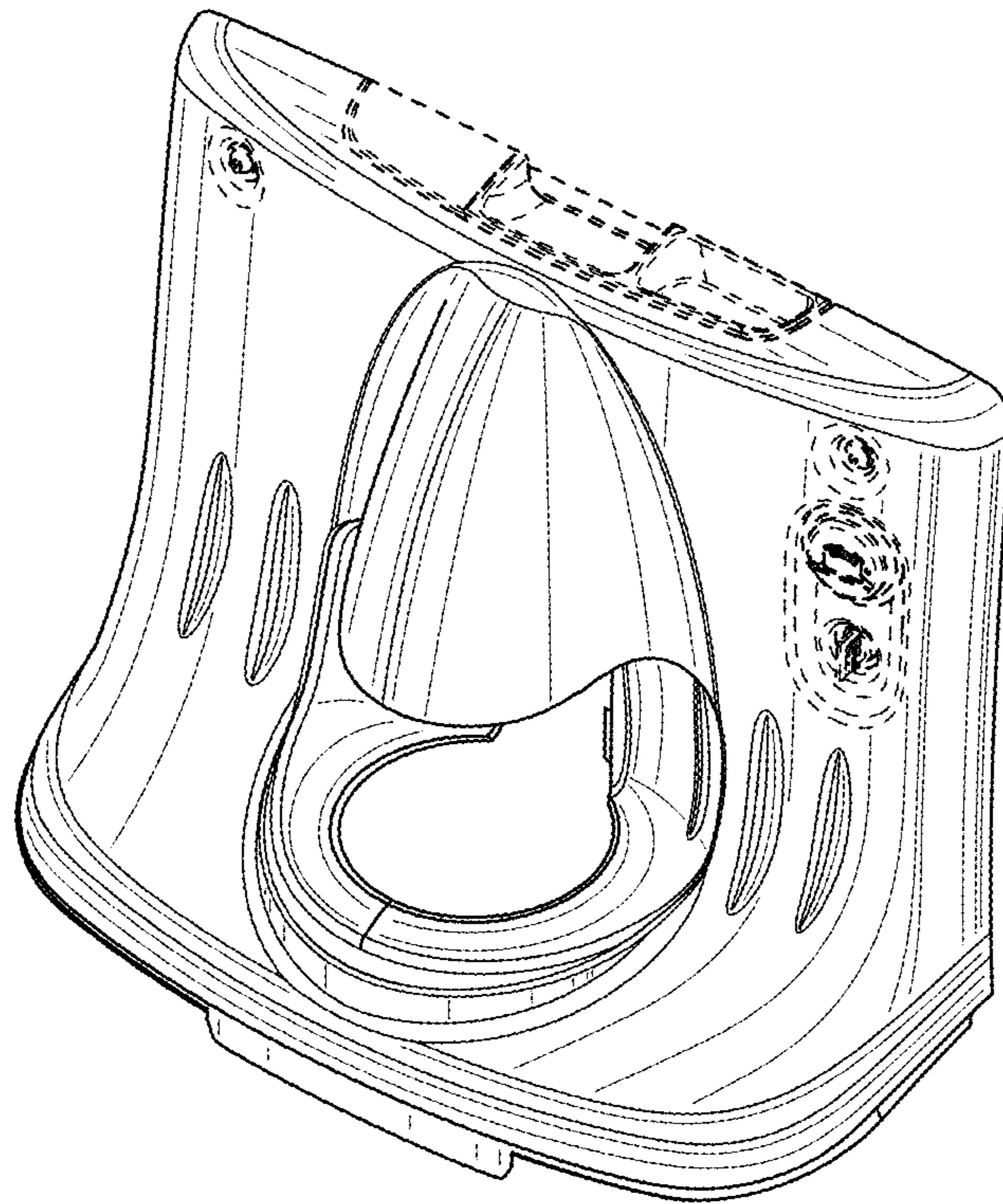


FIG. 1

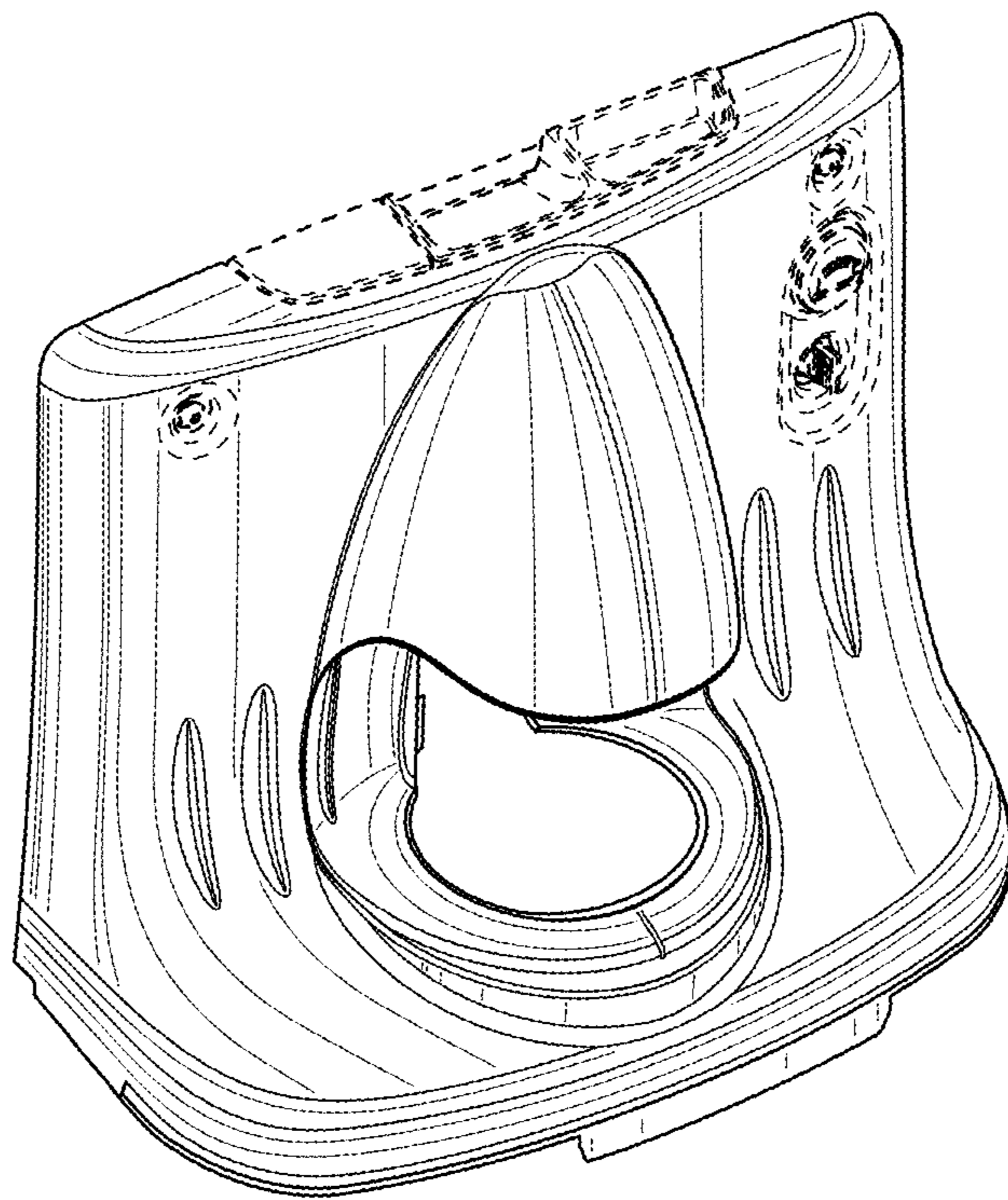


FIG. 2

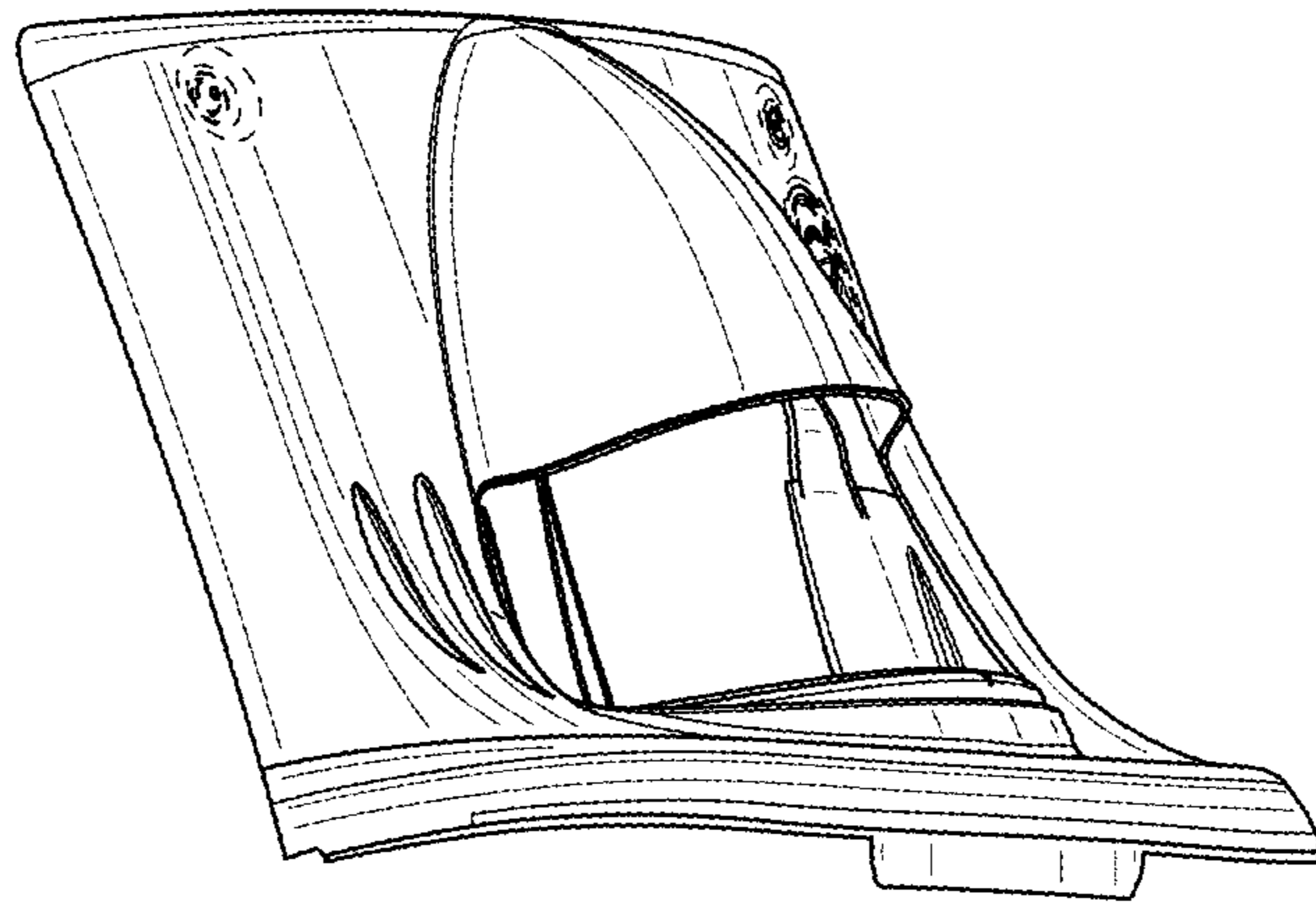


FIG. 3

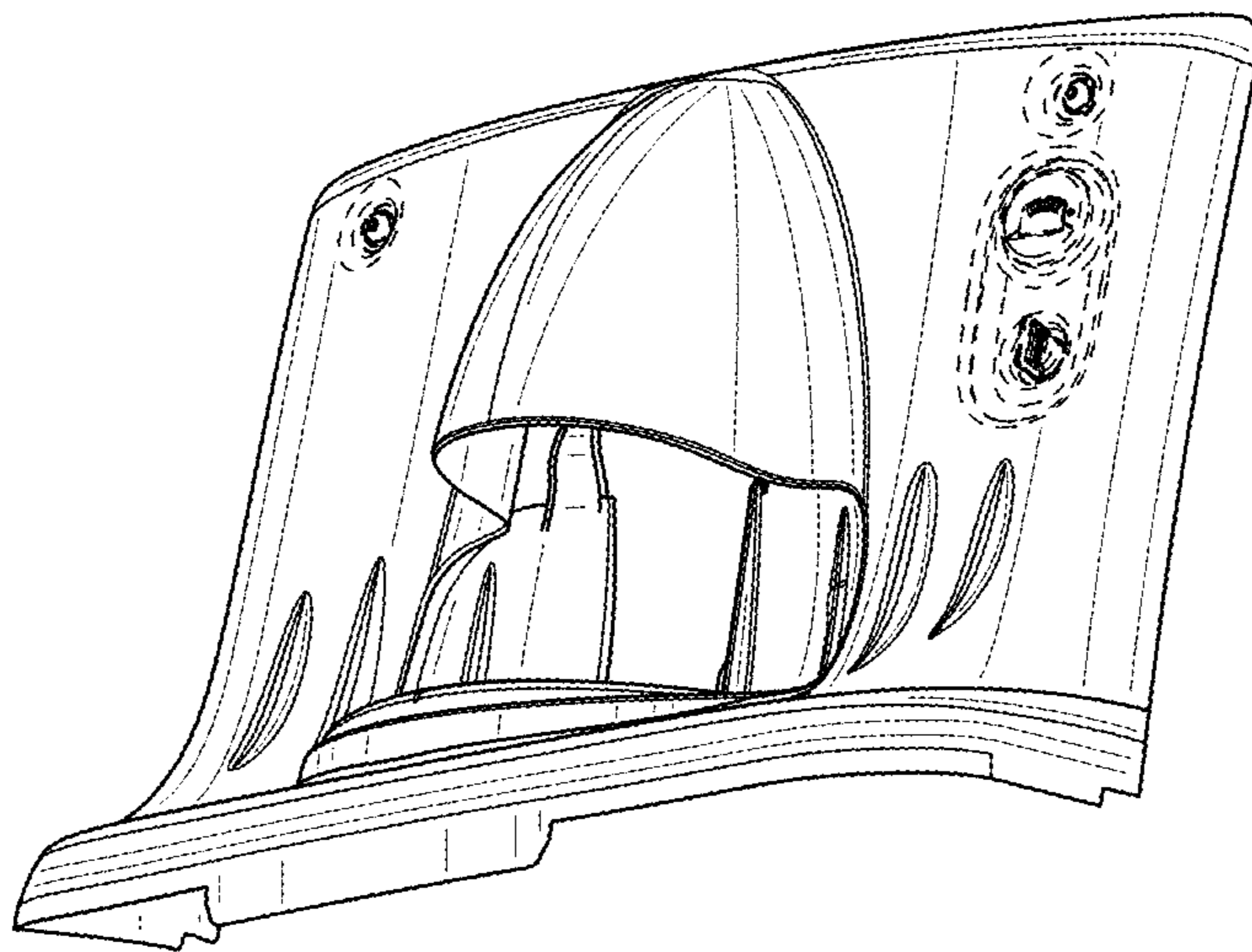


FIG. 4

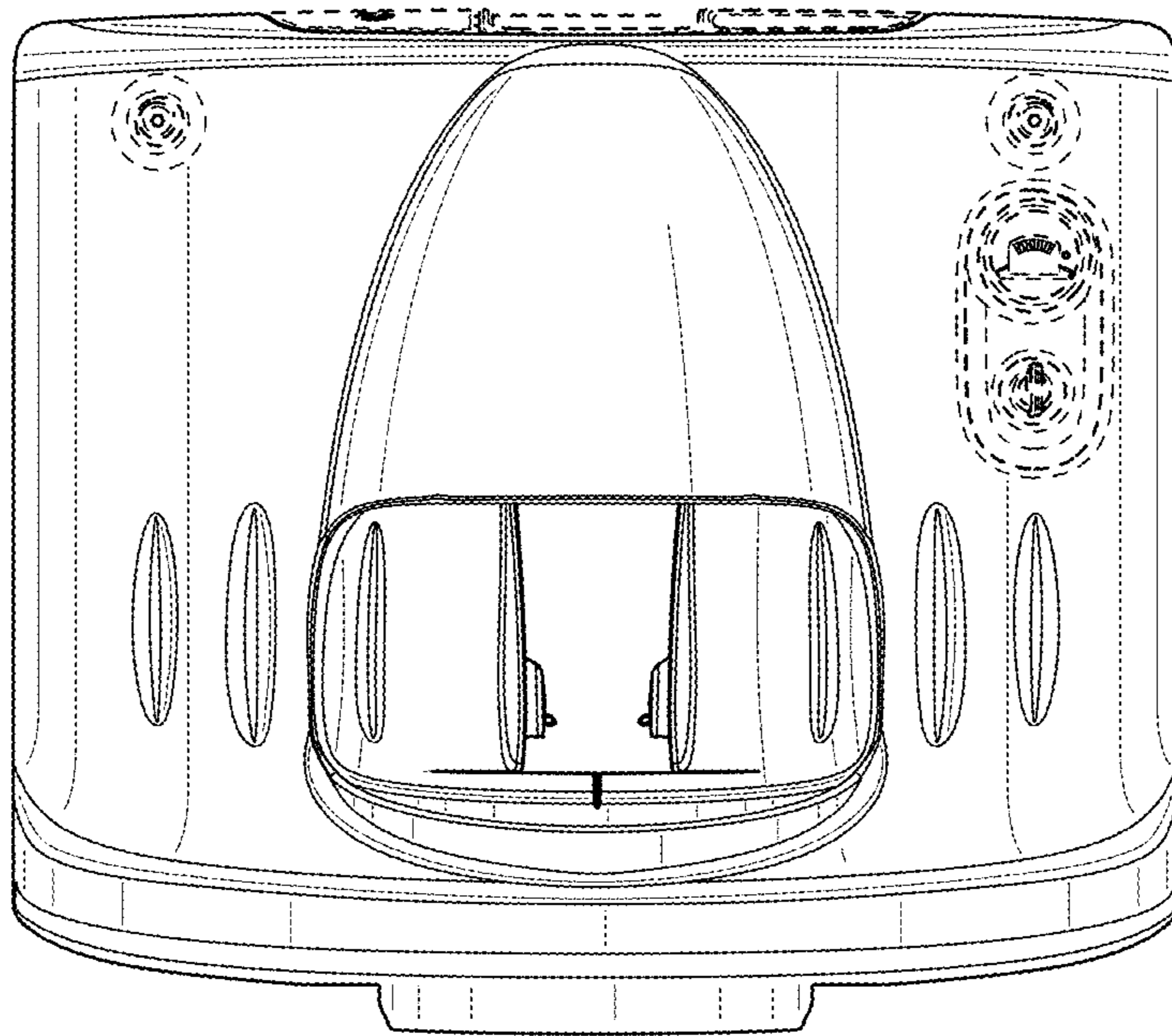


FIG. 5

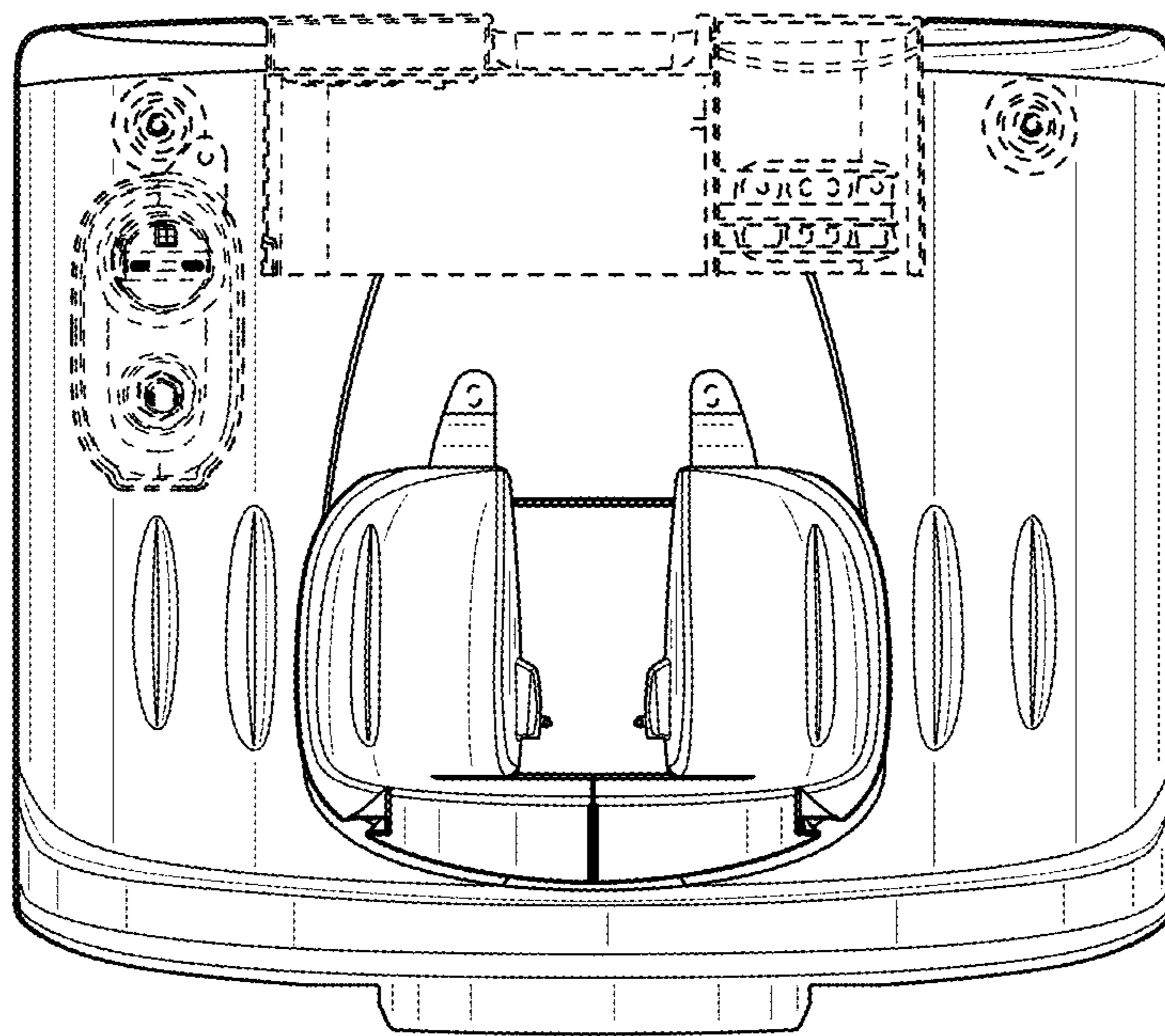


FIG. 6

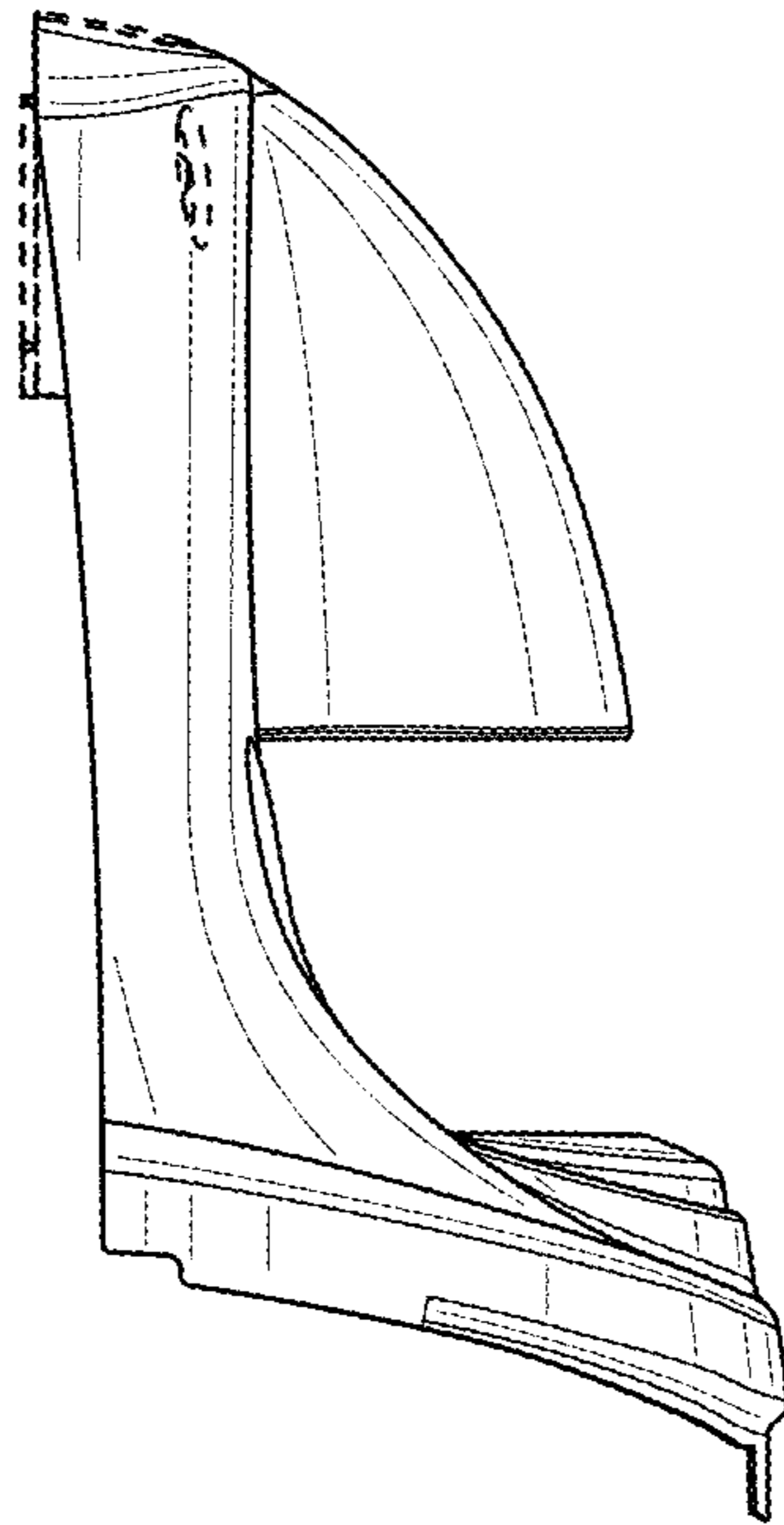


FIG. 7

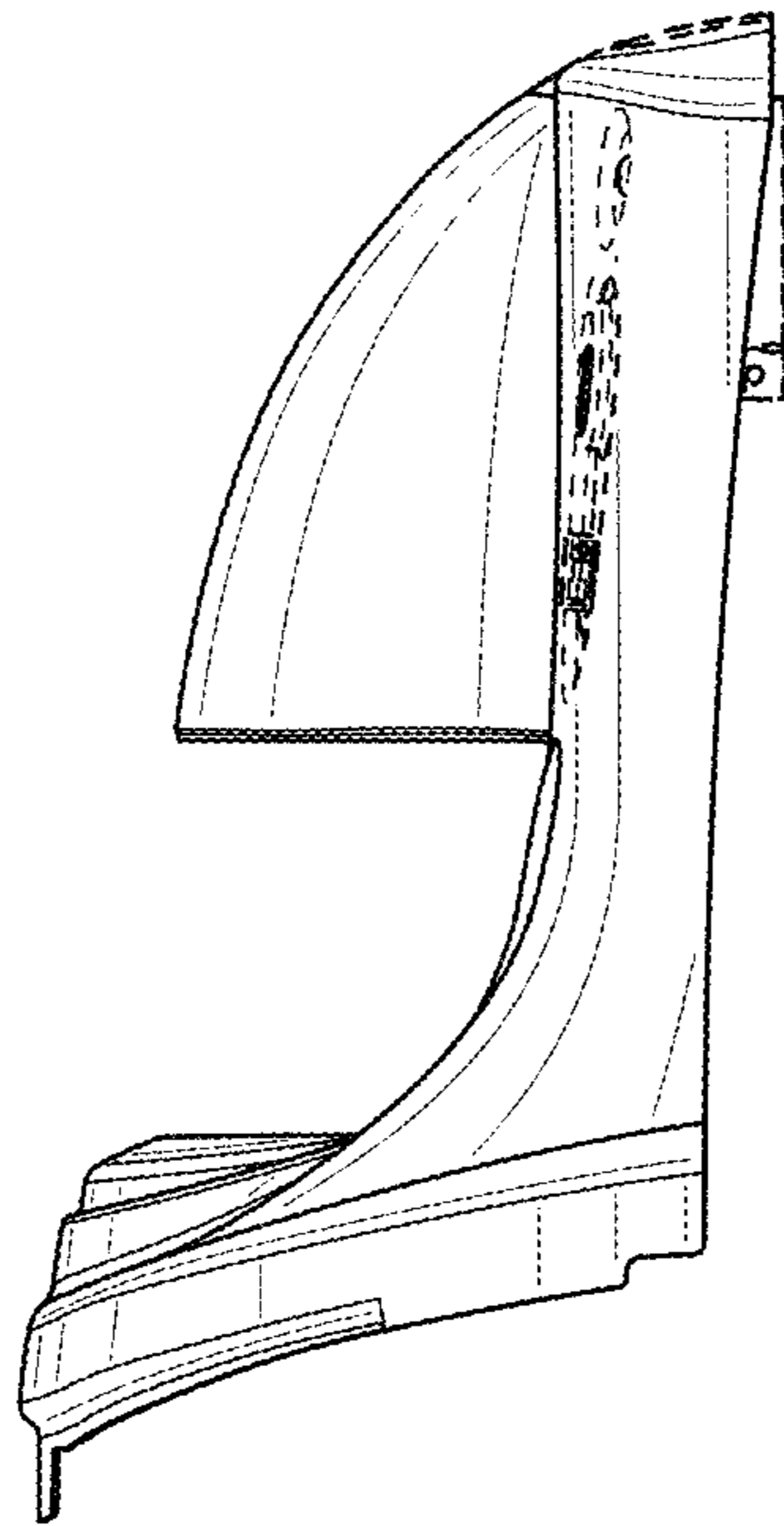


FIG. 8

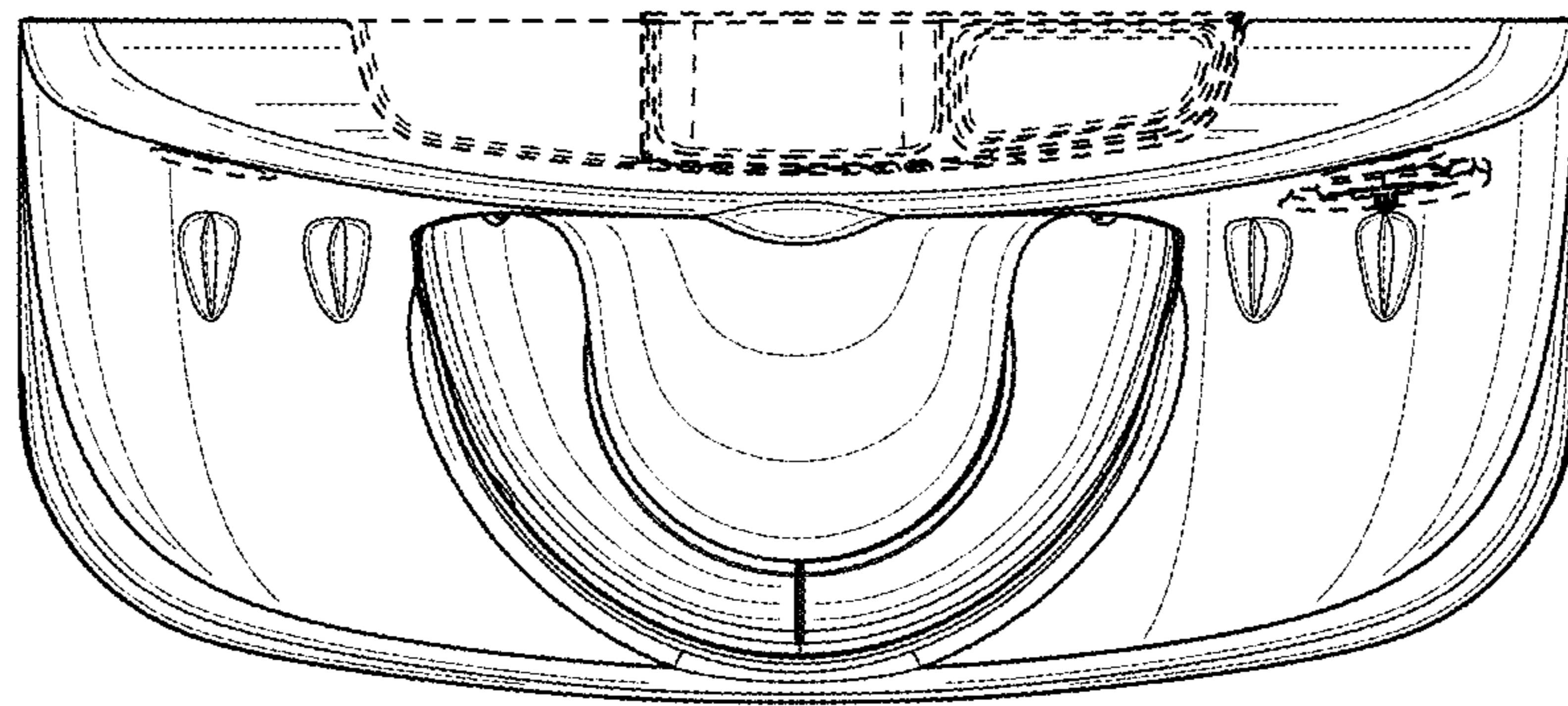


FIG. 9

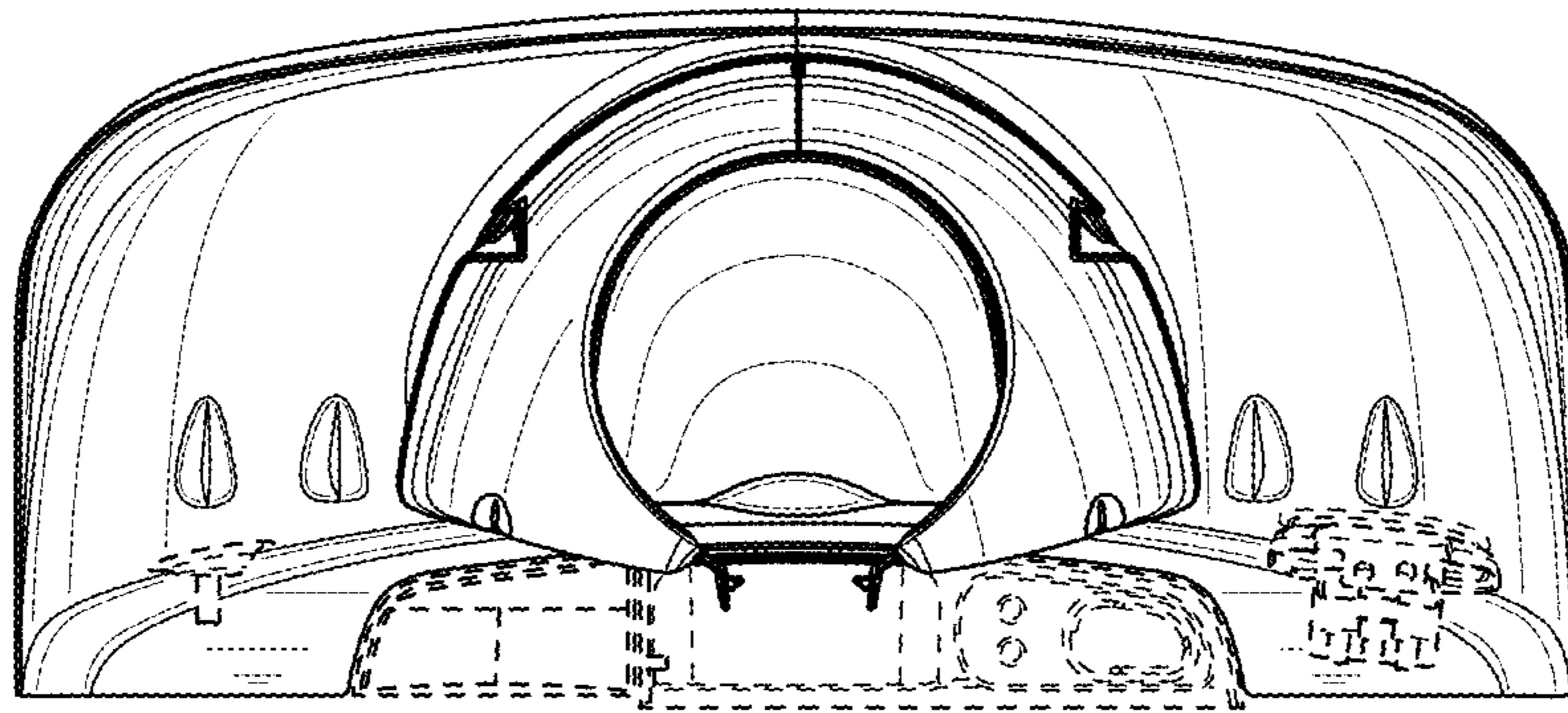


FIG. 10