

US00D830032S

(12) **United States Design Patent** (10) **Patent No.:** **US D830,032 S**
Sainato et al. (45) **Date of Patent:** **** Oct. 2, 2018**

(54) **CART**

(56) **References Cited**

(71) Applicant: **Phoenix Intangibles Holding Company**, Greenville, DE (US)
(72) Inventors: **Anthony V. Sainato**, Westlake, OH (US); **Lee A. Wintermantel**, Moon Township, PA (US); **Paul R. Metcalfe**, Solon, OH (US); **James W. Bates**, Cambridge, OH (US); **Weston T. Skye**, University Heights, OH (US); **Scott E. Urban**, University Heights, OH (US)

U.S. PATENT DOCUMENTS

D119,258 S * 3/1940 Erickson D6/675.1
2,886,186 A * 5/1959 Hamilton A47B 31/00
108/189
D301,652 S * 6/1989 Roberts D34/21
D377,127 S * 1/1997 Barrington D34/21
D400,334 S * 10/1998 Hawkins D34/21

(73) Assignee: **Phoenix Intangibles Holding Company**, Pittsburgh, PA (US)

* cited by examiner

Primary Examiner — Cynthia Ramirez

(74) *Attorney, Agent, or Firm* — Eckert Seamans Cherin & Mellott, LLC; David C. Jenkins

(**) Term: **15 Years**

(57) **CLAIM**

The ornamental design for a cart, as shown and described.

(21) Appl. No.: **29/587,532**

DESCRIPTION

(22) Filed: **Dec. 14, 2016**

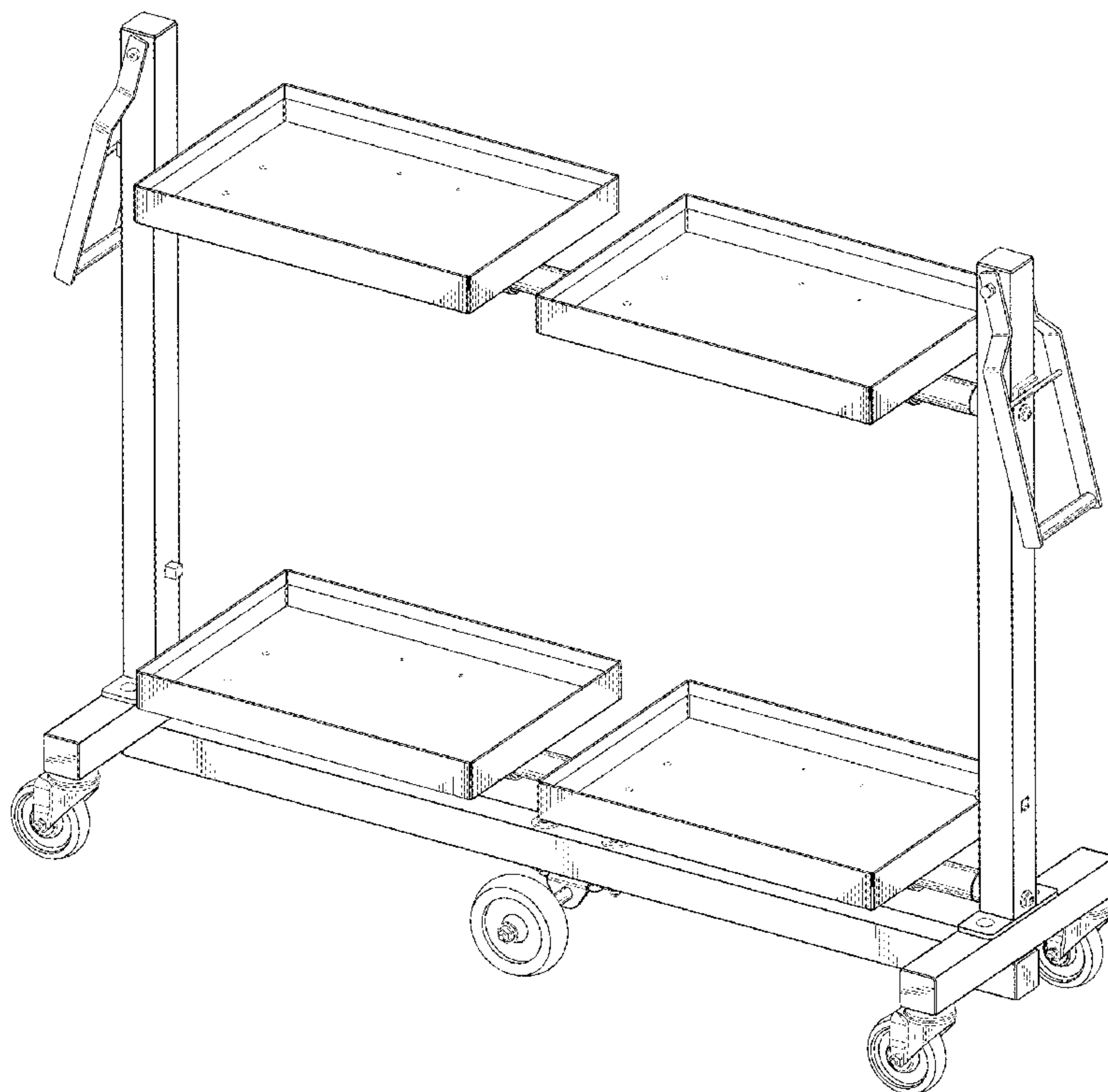
(51) **LOC (11) Cl.** **12-02**

(52) **U.S. Cl.**
USPC **D34/21**

(58) **Field of Classification Search**
USPC D34/12-27; D6/405
CPC B62B 3/02; B62B 3/002; B62B 3/006;
B62B 3/10; B62B 3/106; B62B 3/04
See application file for complete search history.

FIG. 1 is an isometric view of a cart;
FIG. 2 is a right side view of the cart;
FIG. 3 is a left side view of the cart;
FIG. 4 is a top view of the cart;
FIG. 5 is a bottom view of the cart;
FIG. 6 is a back view of the cart; and,
FIG. 7 is a front view of the cart.
The broken lines in the drawings are to show portions of the cart that form no part of the claimed design.

1 Claim, 5 Drawing Sheets



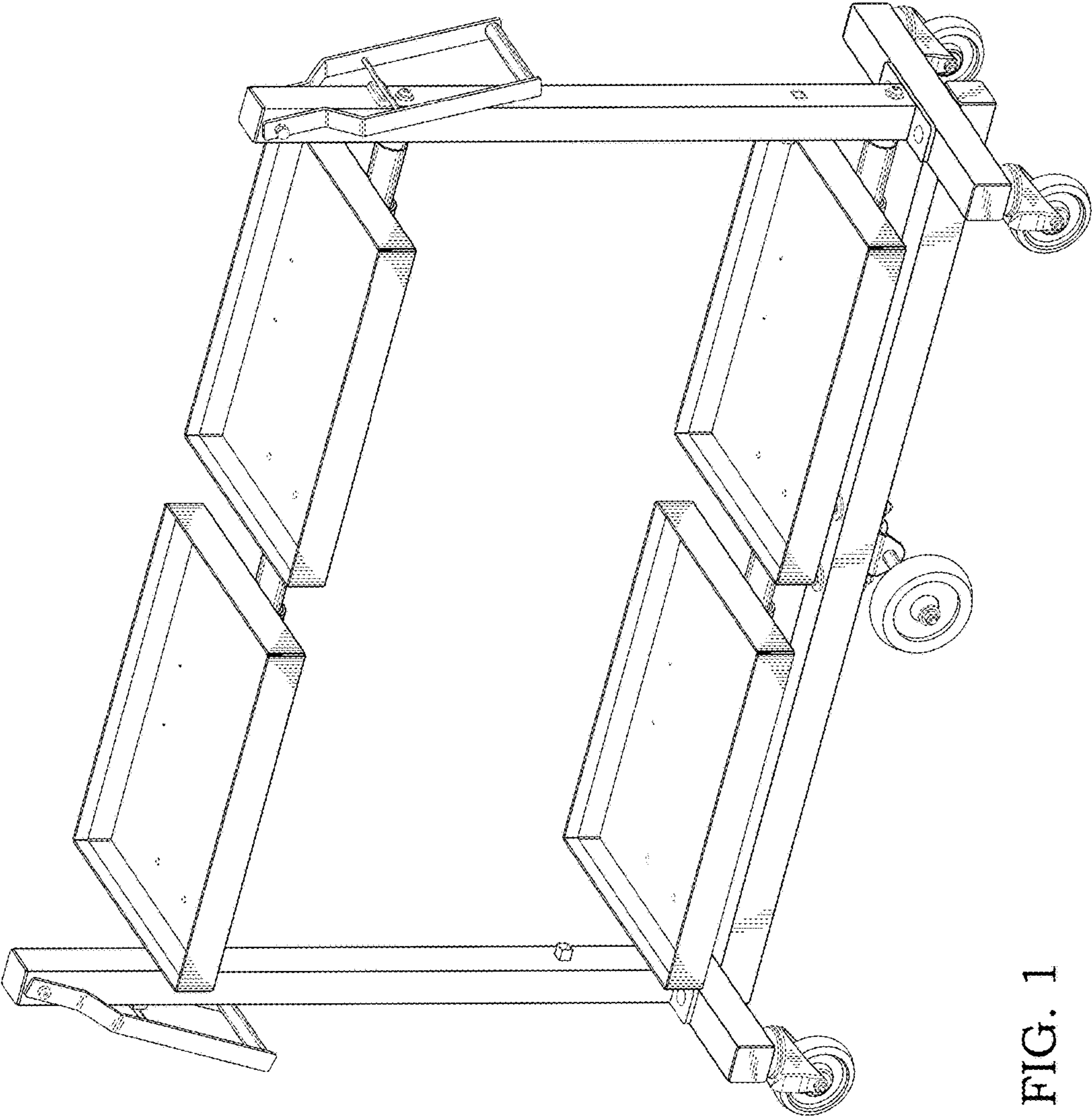


FIG. 1

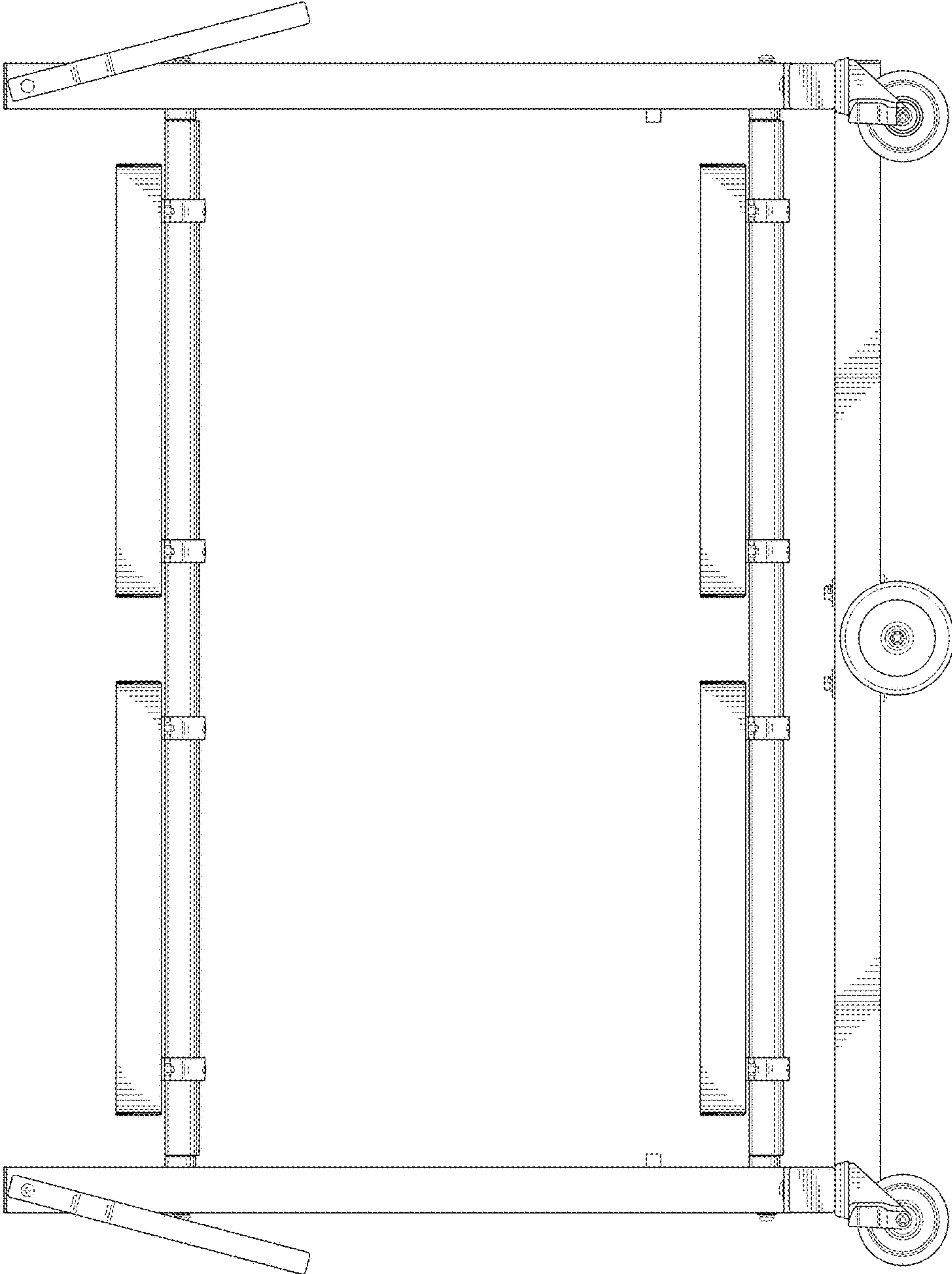


FIG. 2

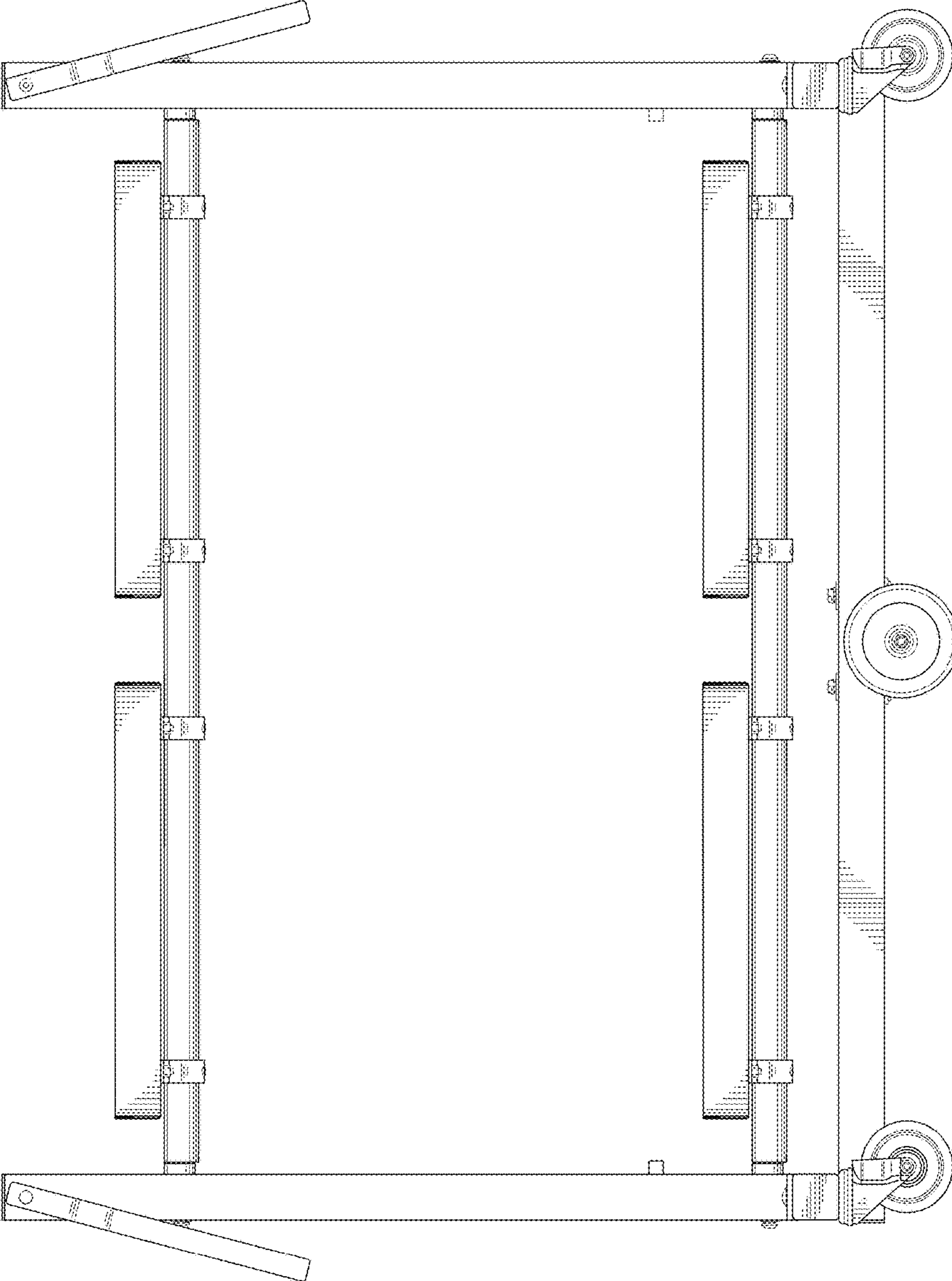


FIG. 3

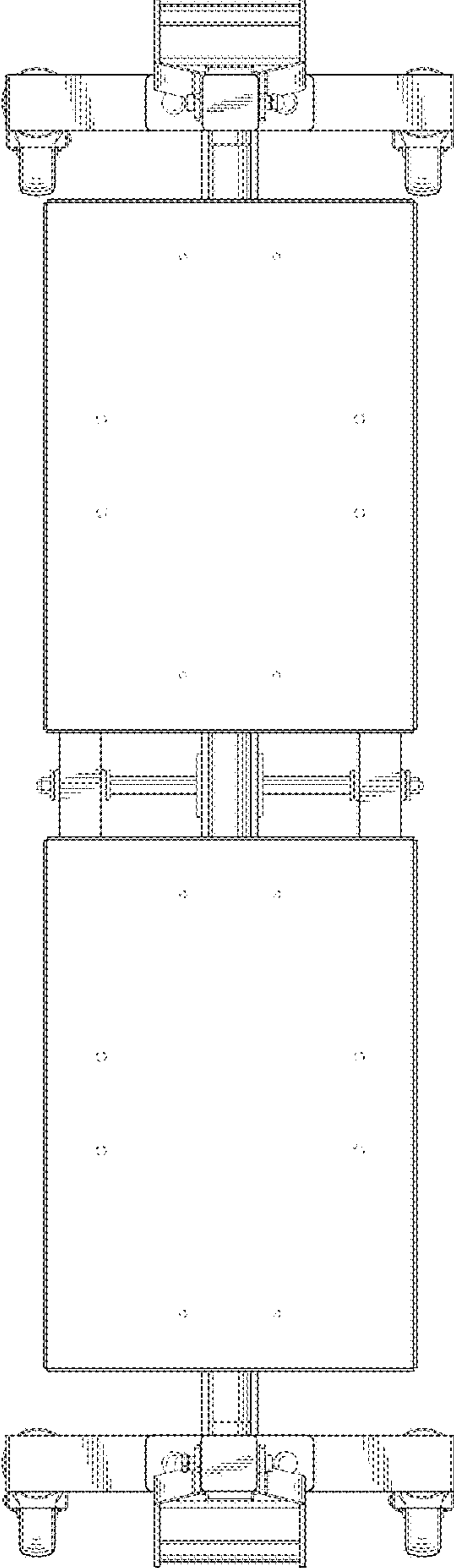


FIG. 4

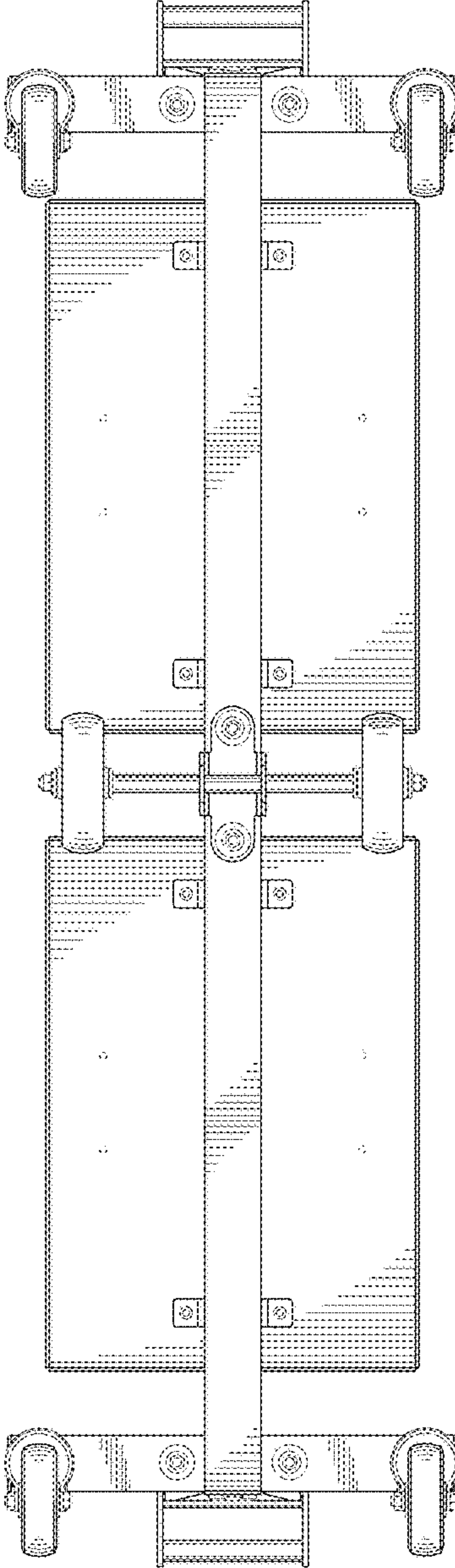


FIG. 5

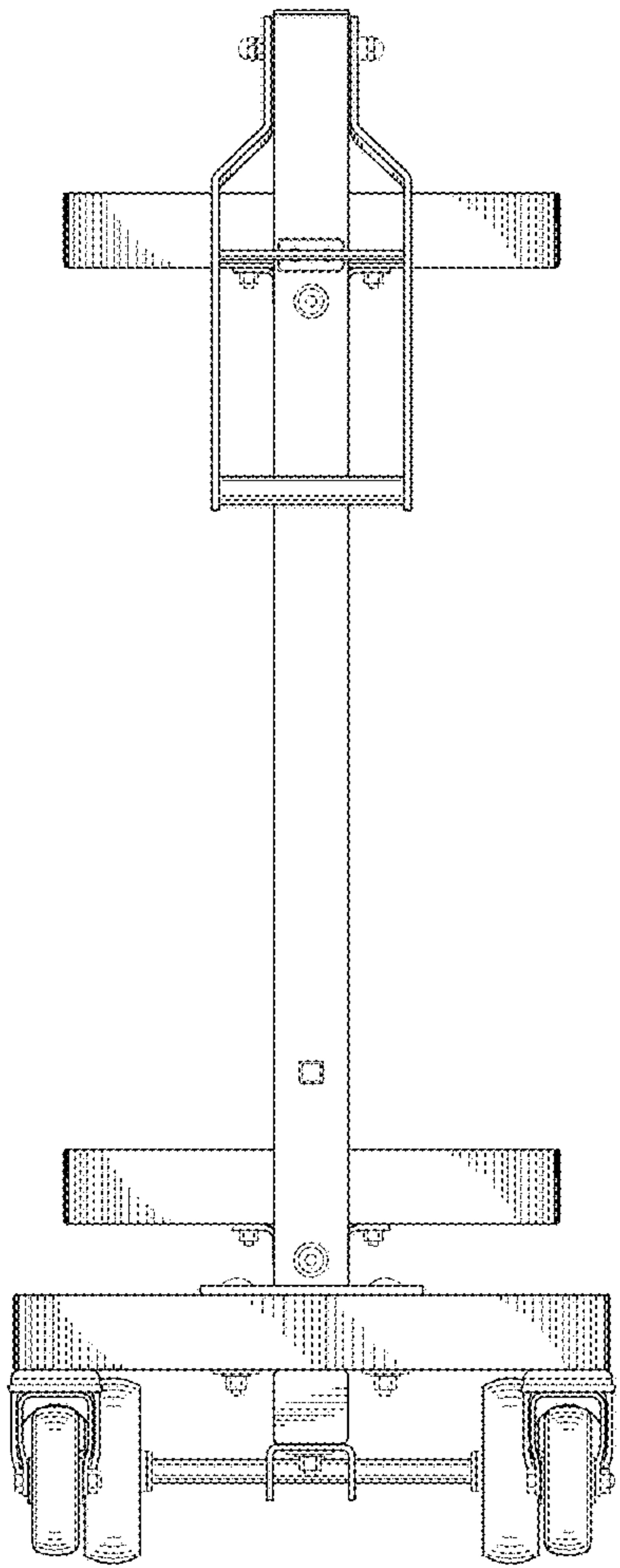


FIG. 6

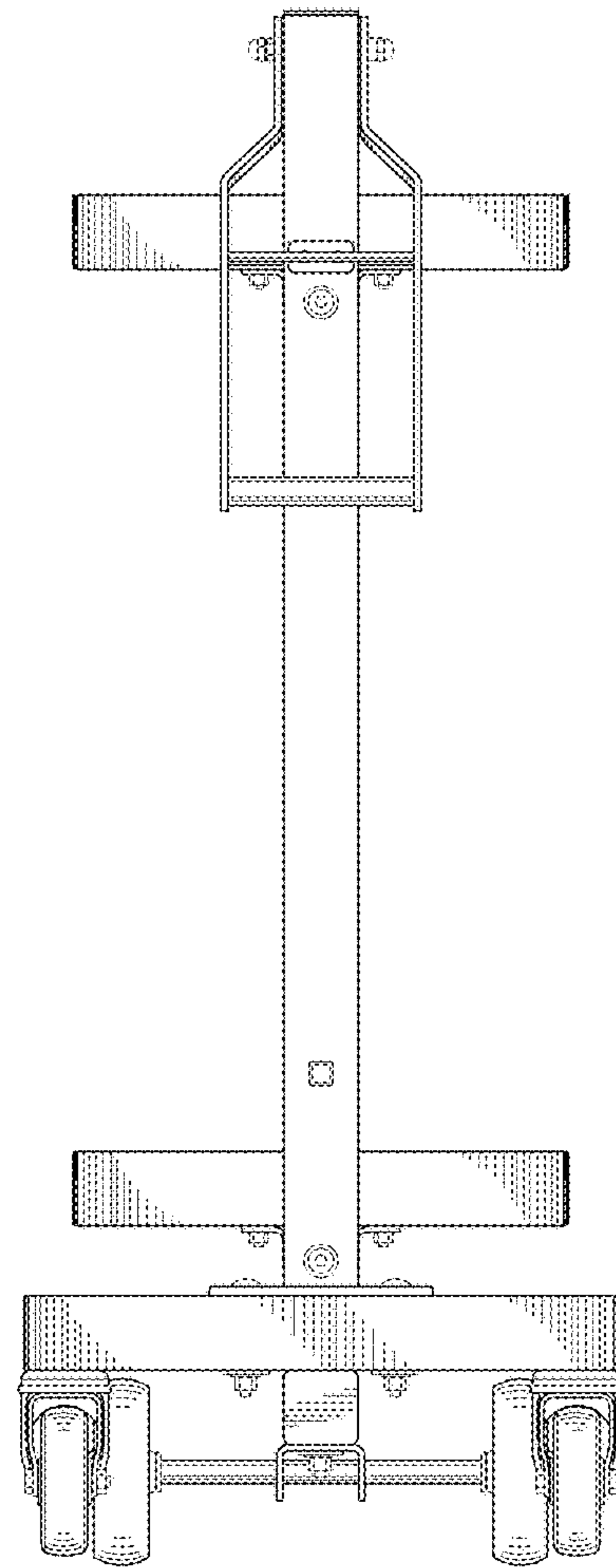


FIG. 7