



US00D830029S

(12) **United States Design Patent**
Greenspon et al.

(10) **Patent No.:** **US D830,029 S**

(45) **Date of Patent:** **** Oct. 2, 2018**

(54) **TRASH CAN**

D725,861 S * 3/2015 Yang D34/7
D769,566 S * 10/2016 Chen D34/9
D798,016 S * 9/2017 Yang D34/9

(71) Applicant: **Honey-Can-Do International, LLC,**
Berkeley, IL (US)

* cited by examiner

(72) Inventors: **Steven B. Greenspon,** Berkeley, IL
(US); **Valerie Snow,** Berkeley, IL (US);
Slobodan S. Zivanovic, Berkeley, IL
(US)

Primary Examiner — Cynthia Ramirez

(74) *Attorney, Agent, or Firm* — Adam K. Sacharoff;
Much Shelist, P.C.

(73) Assignee: **Honey-Can-Do International, LLC,**
Berkeley, IL (US)

(57) **CLAIM**

(**) Term: **15 Years**

The ornamental design for an trash can, as shown and described.

(21) Appl. No.: **29/594,020**

(22) Filed: **Feb. 15, 2017**

DESCRIPTION

(51) **LOC (11) Cl.** **09-09**

(52) **U.S. Cl.**
USPC **D34/9**

(58) **Field of Classification Search**
USPC D34/1, 7, 8, 9
CPC D65F 1/163; D65F 1/08; D65F 1/1632;
D65F 1/1607; D65F 1/1615; D65F 1/062;
D65F 1/16
See application file for complete search history.

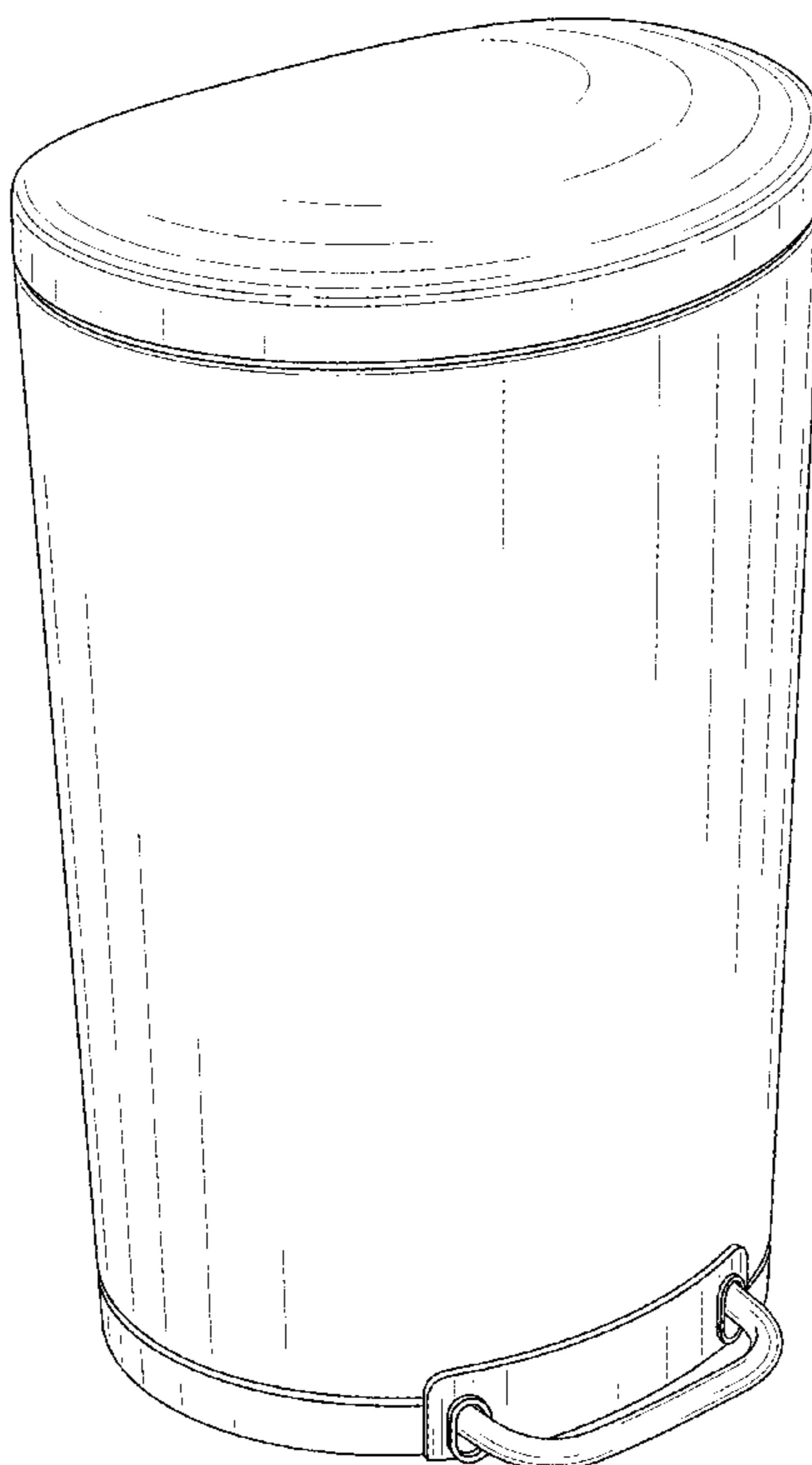
FIG. 1 is a front perspective view of a trash can, showing our new design;
FIG. 2 is a front perspective view thereof, taken from underneath the trash can;
FIG. 3 is a rear perspective view thereof;
FIG. 4 is a front elevation view thereof;
FIG. 5 is a rear elevation view thereof;
FIG. 6 is a left side view thereof;
FIG. 7 is a right side view thereof;
FIG. 8 is a top plan view thereof; and,
FIG. 9 is a bottom plan view thereof;
The broken lines in FIGS. 2 and 9 depict portions of the trash can that form no part of the claimed design.

(56) **References Cited**

U.S. PATENT DOCUMENTS

D525,756 S * 7/2006 Yang D34/9
D629,579 S * 12/2010 Lin D34/9

1 Claim, 8 Drawing Sheets



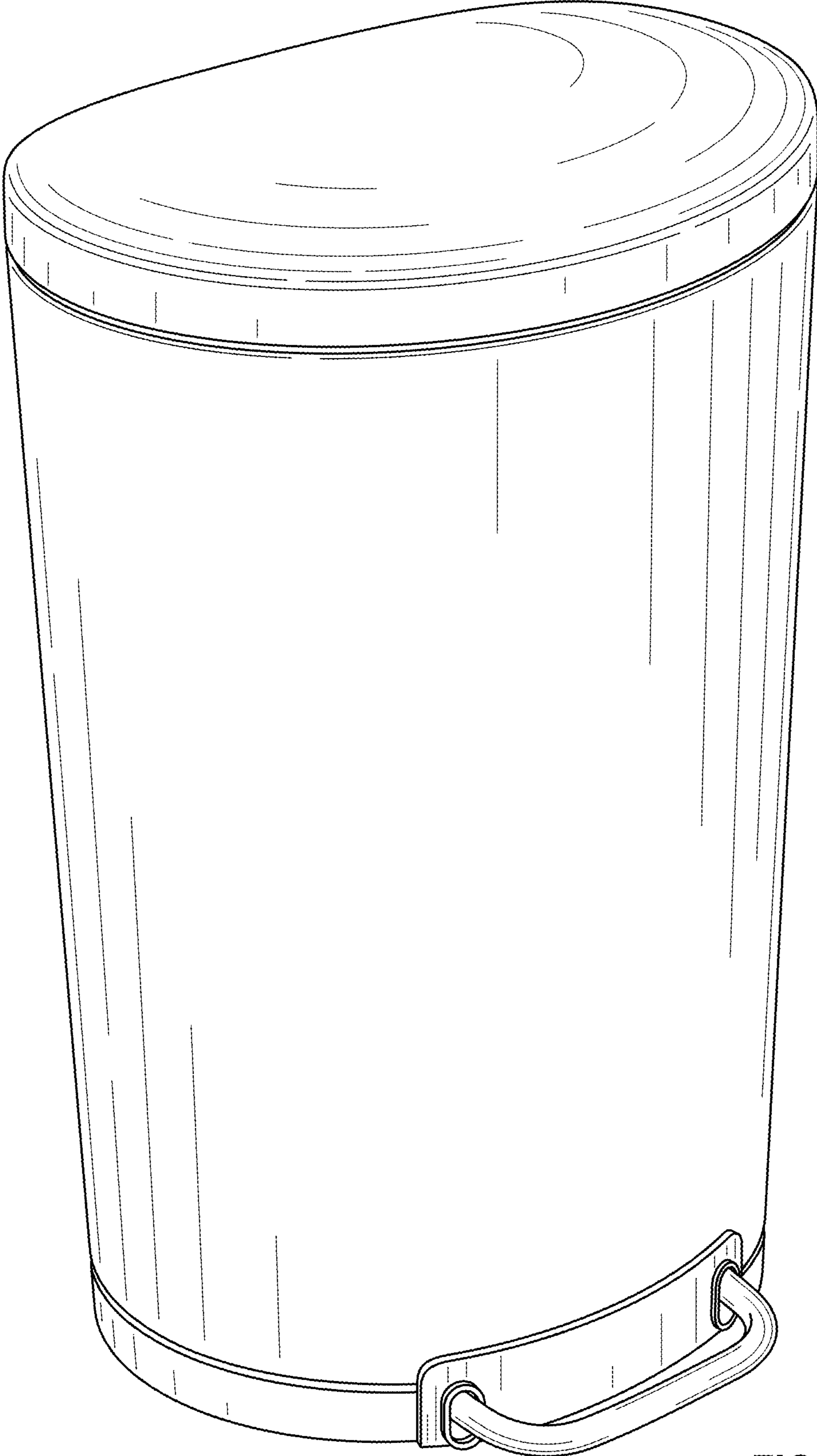


FIG. 1

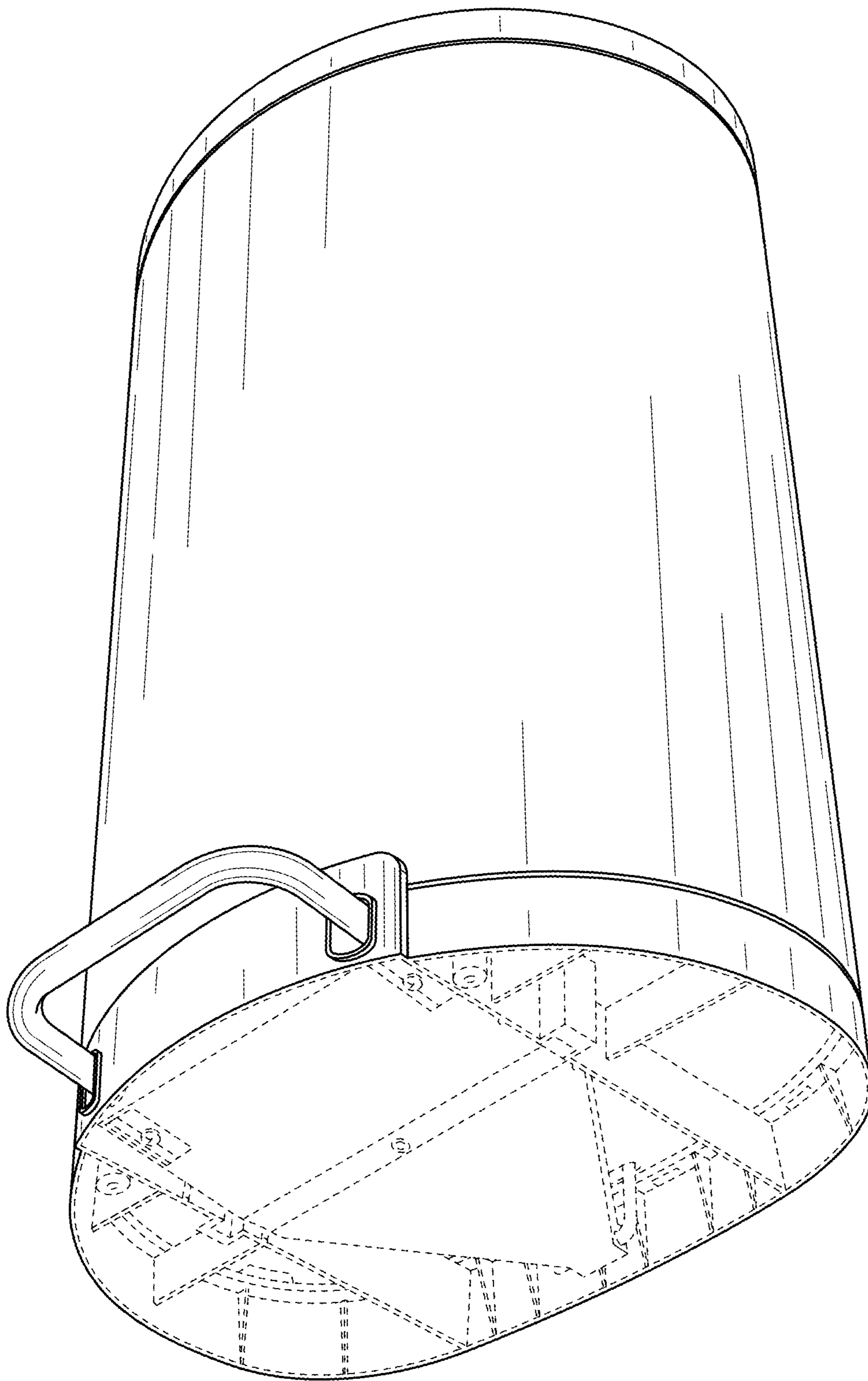


FIG. 2

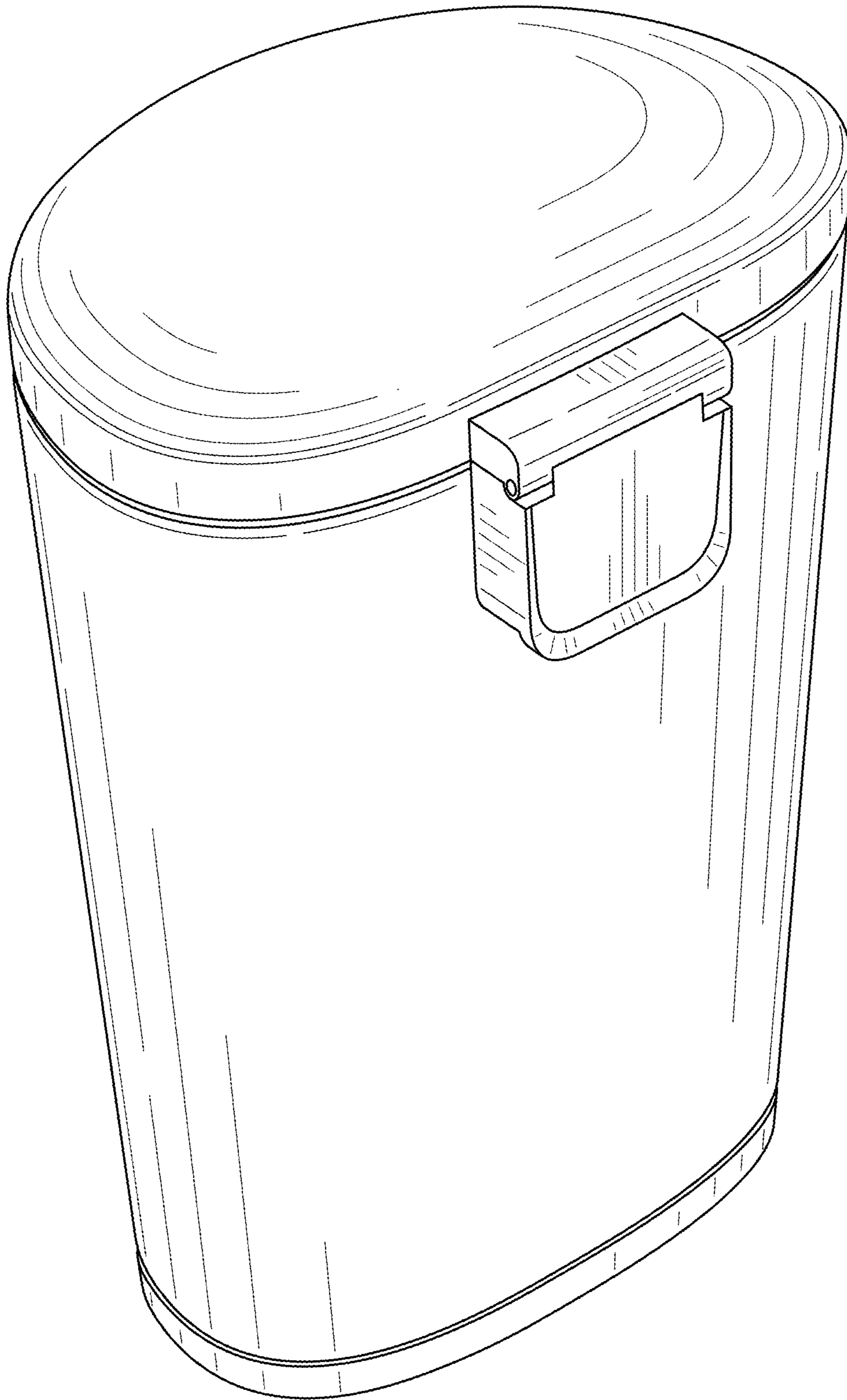


FIG. 3

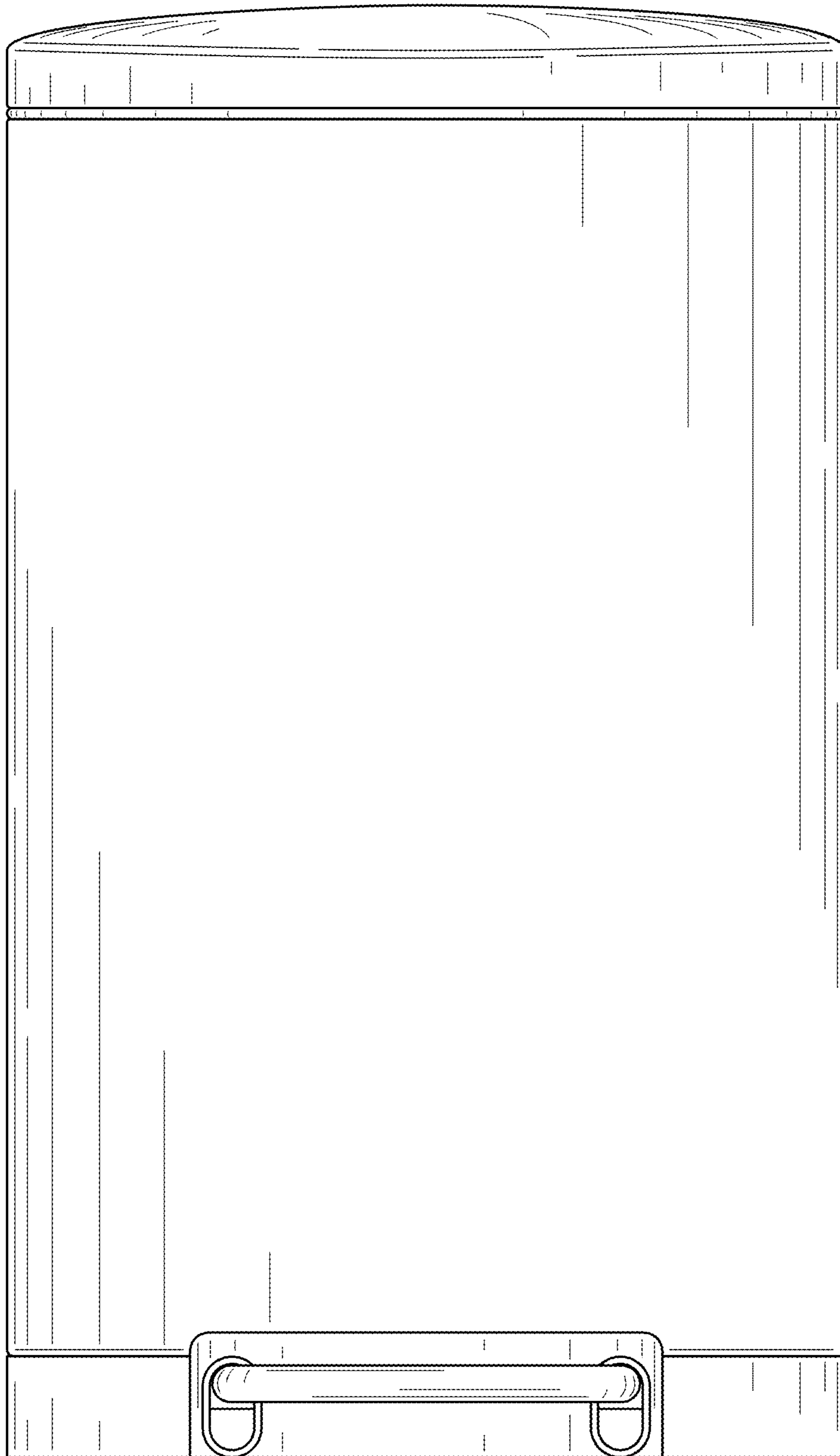


FIG. 4

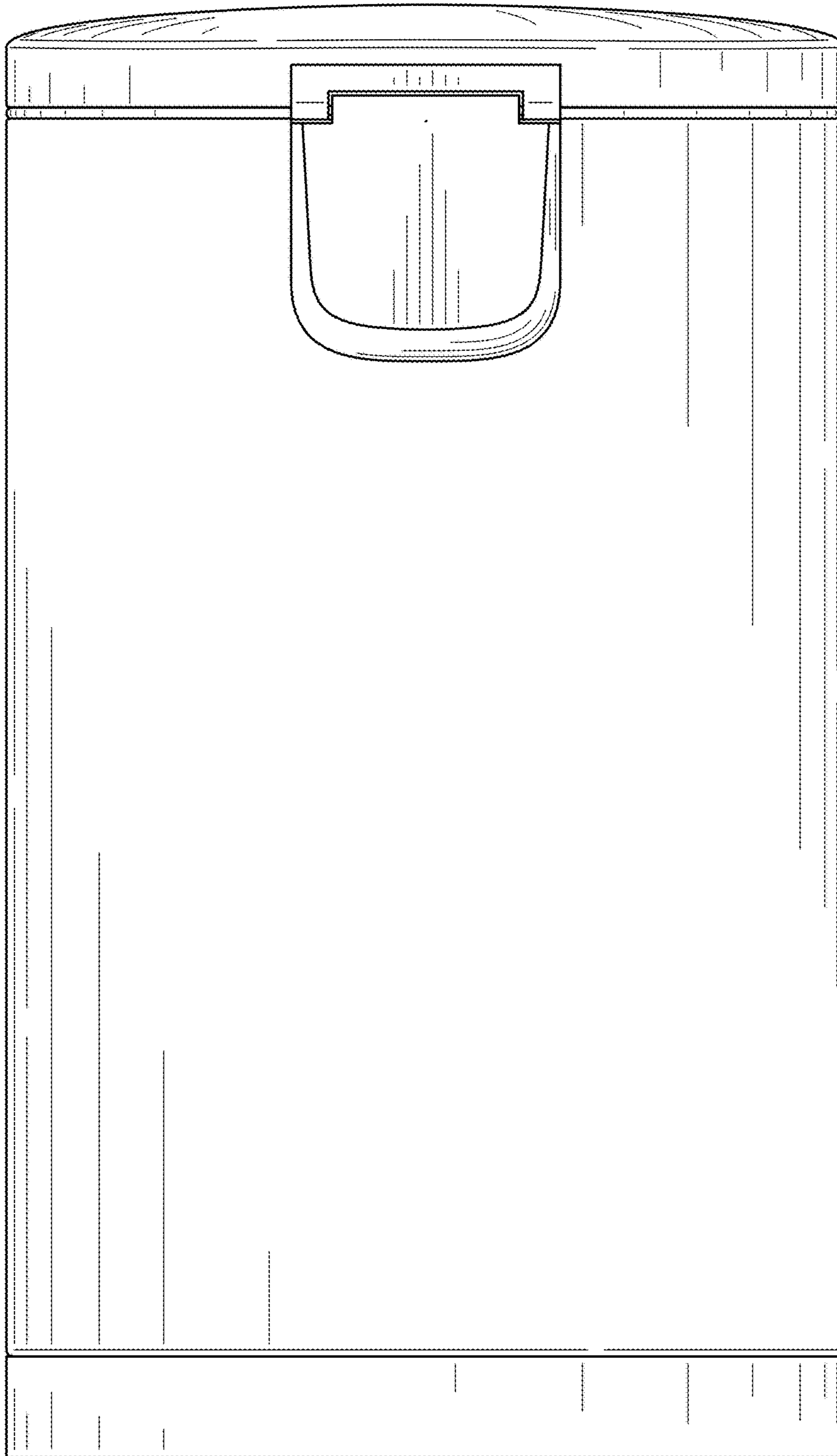


FIG. 5

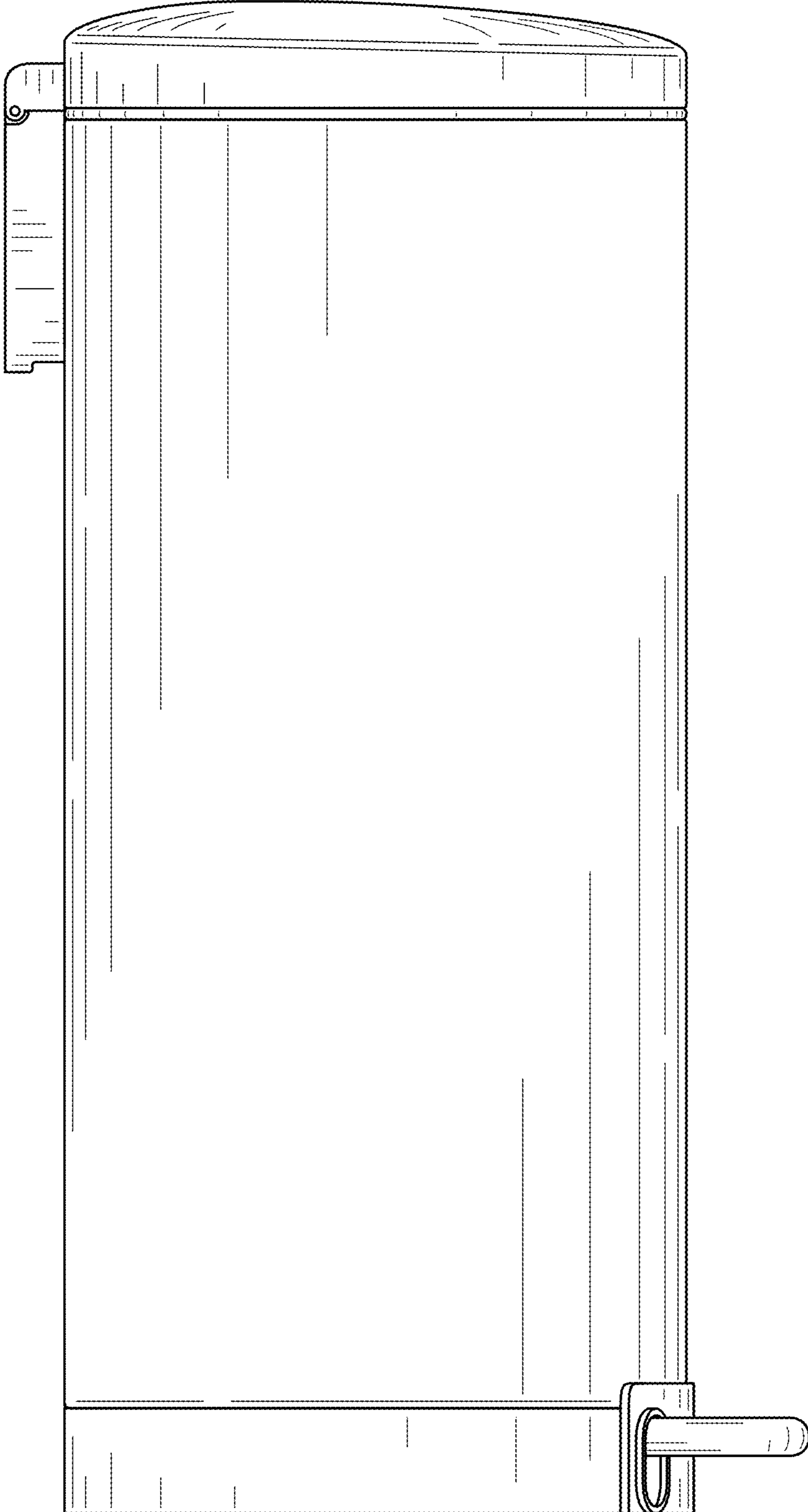


FIG. 6

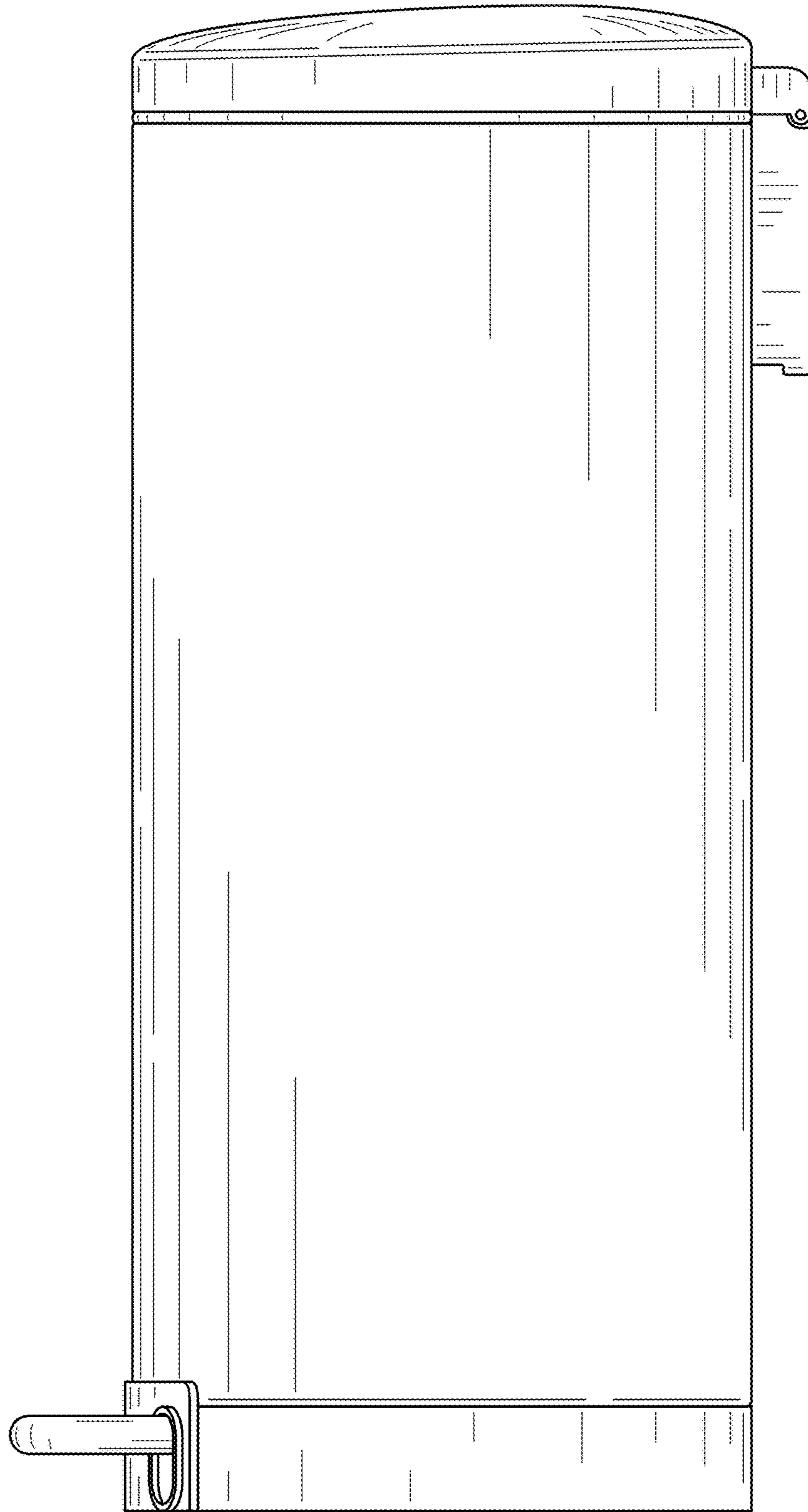


FIG. 7

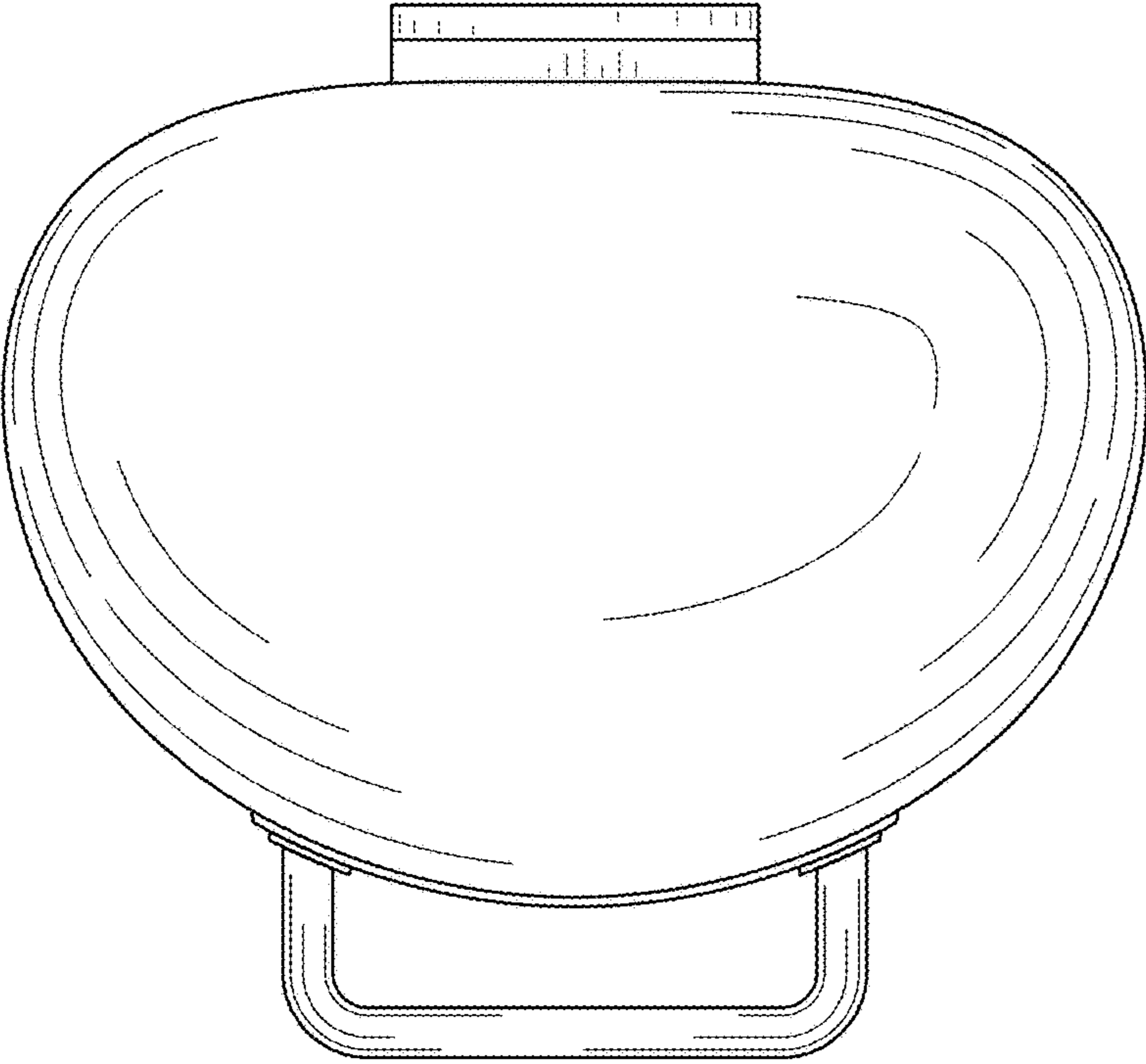


FIG. 8

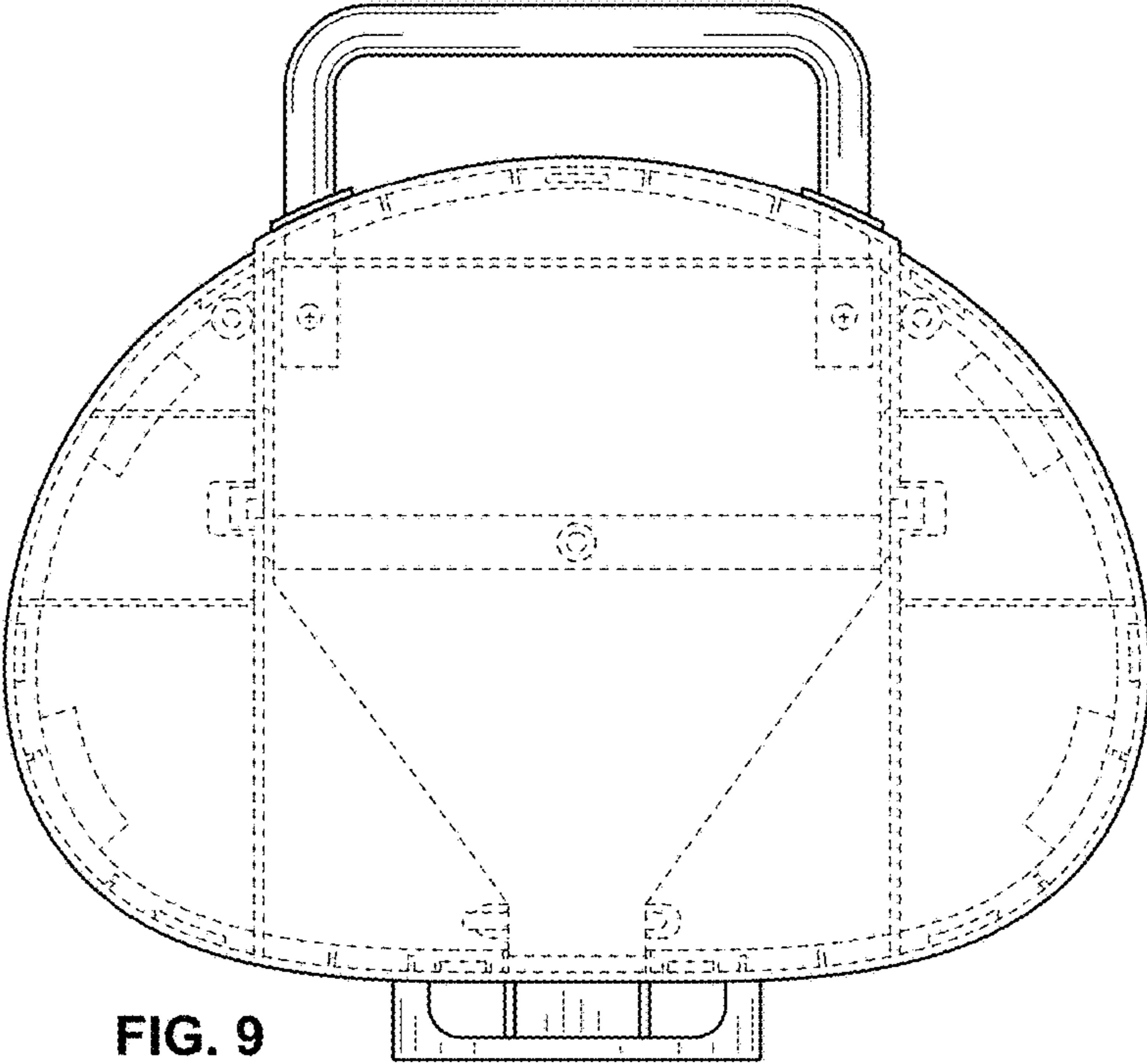


FIG. 9