

US00D830028S

(12) **United States Design Patent** (10) **Patent No.:** **US D830,028 S**
Nichols (45) **Date of Patent:** **** Oct. 2, 2018**

(54) **BARBECUE GRILL SCRAPING DEVICE**

(71) Applicant: **Walter G. Nichols**, Sagle, ID (US)

(72) Inventor: **Walter G. Nichols**, Sagle, ID (US)

(**) Term: **15 Years**

(21) Appl. No.: **29/631,210**

(22) Filed: **Dec. 28, 2017**

(51) **LOC (11) Cl.** **07-05**

(52) **U.S. Cl.**
USPC **D32/40**

(58) **Field of Classification Search**
USPC D32/40-43, 46-49
CPC A47L 13/08; A47L 17/00; A46B 13/02;
A47J 37/07; B08B 1/00
See application file for complete search history.

(56) **References Cited**

U.S. PATENT DOCUMENTS

D30,036 S *	1/1899	Rhind	D32/46
1,592,950 A *	7/1926	McClain	A47L 13/08 15/236.01
2,242,700 A *	5/1941	Fletcher	A47L 13/08 30/171
2,347,473 A *	4/1944	Ericksen	A47L 13/08 15/236.05
2,494,455 A *	1/1950	Soldani	A47L 13/02 30/171
3,765,275 A *	10/1973	Johnson	A47J 43/28 15/105
3,975,475 A *	8/1976	Foley	B08B 1/00 15/236.01

(Continued)

OTHER PUBLICATIONS

Amazon.com: The Great Scrape the Woody Paddle New All Natural BBQ Grill Scraper: oldest revoew, Jun. 23, 2012. <https://www>

amazon.com/Great-Scrape-Woody-Paddle-Natural/dp/B013S1SM4I/ref=cm_cr_arp_d_product_top?ie=UTF8, [site visited Jul. 2, 2018.*

(Continued)

Primary Examiner — John Windmuller

Assistant Examiner — John R Yeh

(74) *Attorney, Agent, or Firm* — Mark Malek; Widerman Malek, PL

(57) **CLAIM**

The ornamental design for a barbecue grill scraping device, as shown and described.

DESCRIPTION

FIG. 1 is a front perspective view of a barbecue grill scraping device according to the present invention.

FIG. 2 is a front elevation view of the barbecue grill scraping device illustrated in FIG. 1.

FIG. 3 is a rear elevation view of the barbecue grill scraping device illustrated in FIG. 1.

FIG. 4 is a side elevation view of the barbecue grill scraping device illustrated in FIG. 1.

FIG. 5 is another side elevation view of the barbecue grill scraping device illustrated in FIG. 1.

FIG. 6 is a top plan view of the barbecue grill scraping device illustrated in FIG. 1.

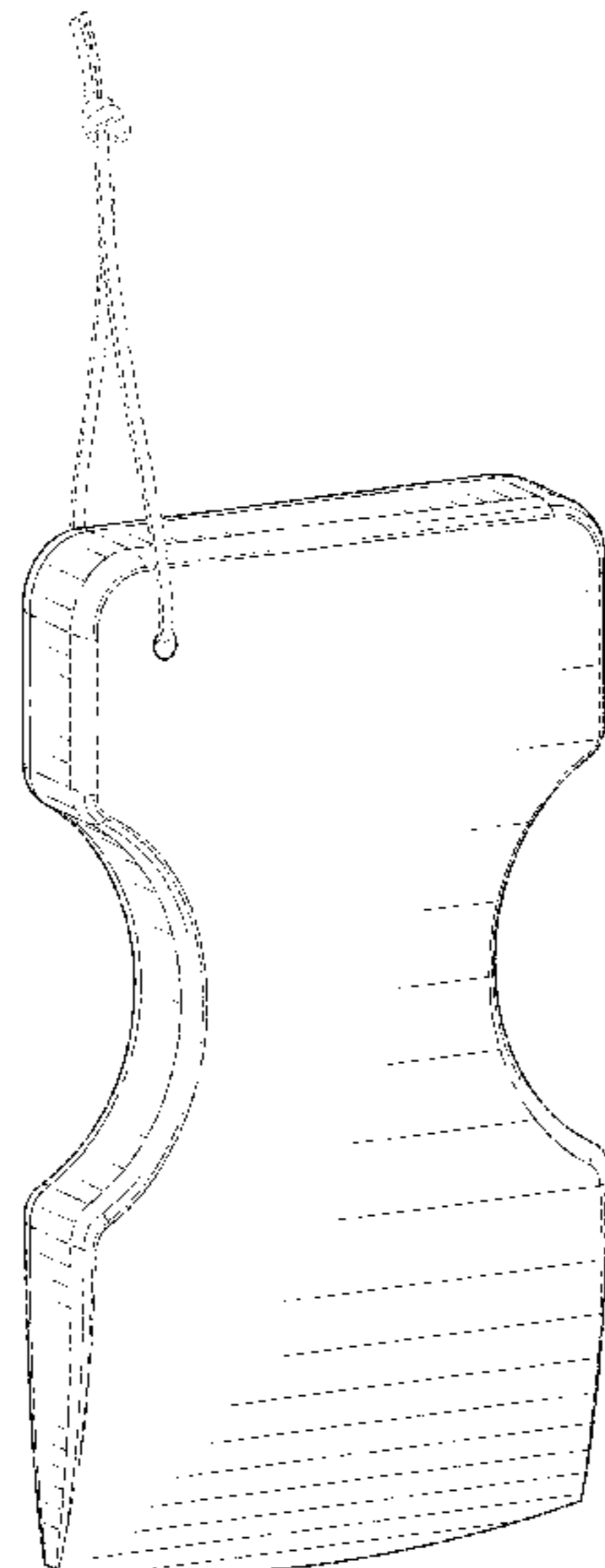
FIG. 7 is a bottom plan view of the barbecue grill scraping device illustrated in FIG. 1.

FIG. 8 is an environmental view of the barbecue grill scraping device illustrated in FIG. 1 being used to scrape a sidewall portion of a barbecue grill; and,

FIG. 9 is another environmental view of the barbecue grill scraping device illustrated in FIG. 1 being used to scrape a sidewall portion of a barbecue grill.

The broken lines in FIGS. 1-7 depict a chord that connects to the barbecue grill scraping device and does not form a claimed feature of the present invention. The broken lines in FIGS. 8-9 depict environmental features that do not form a claimed feature of the present invention.

1 Claim, 6 Drawing Sheets



(56)

References Cited

U.S. PATENT DOCUMENTS

4,627,128 A * 12/1986 Shea B08B 1/00
15/104.001
D313,880 S * 1/1991 Magnasco D32/46
D379,698 S * 6/1997 Freudenberg D32/40
D381,149 S * 7/1997 Mayo D32/49
D392,433 S * 3/1998 Norris D32/40
D405,661 S * 2/1999 Erickson D7/688
5,875,515 A * 3/1999 Dallas A47J 43/288
15/236.01
D418,954 S * 1/2000 Ferdenzi D28/63
D518,260 S * 3/2006 Aubourg D32/40
D548,414 S * 8/2007 Akin D32/40
D664,319 S * 7/2012 Thompson D32/46
8,321,989 B1 * 12/2012 McClanahan B44D 3/162
15/236.01
9,943,885 B1 * 4/2018 Rosenberger B08B 1/005

OTHER PUBLICATIONS

Charboss Grill Scraper, Non-Bristle Grate Cleaning Tool, All Things
BBZ website 2016, [https://www.atbbq.com/charboss-grill-scraper-
non-bristle-cleaning-tool.html](https://www.atbbq.com/charboss-grill-scraper-non-bristle-cleaning-tool.html), site visited Jul. 2, 2018.*

* cited by examiner

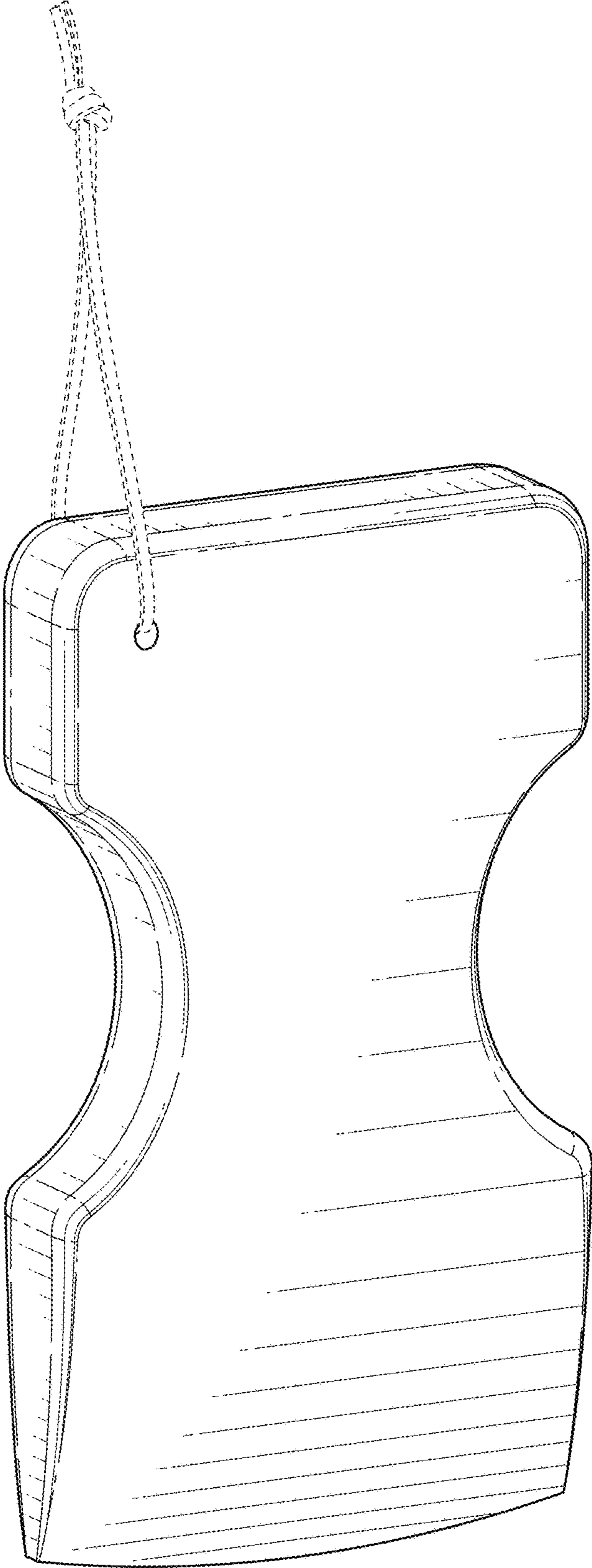


FIG. 1

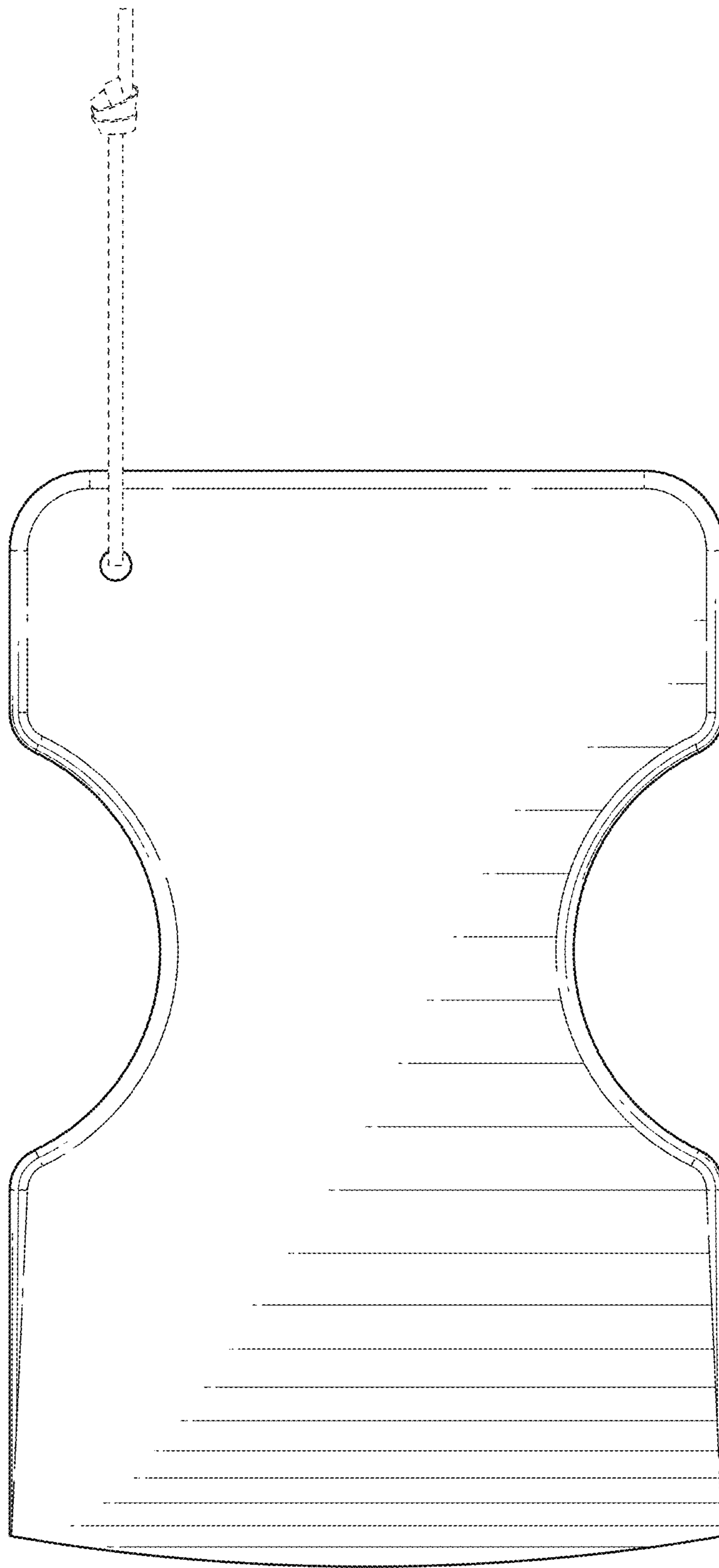


FIG. 2

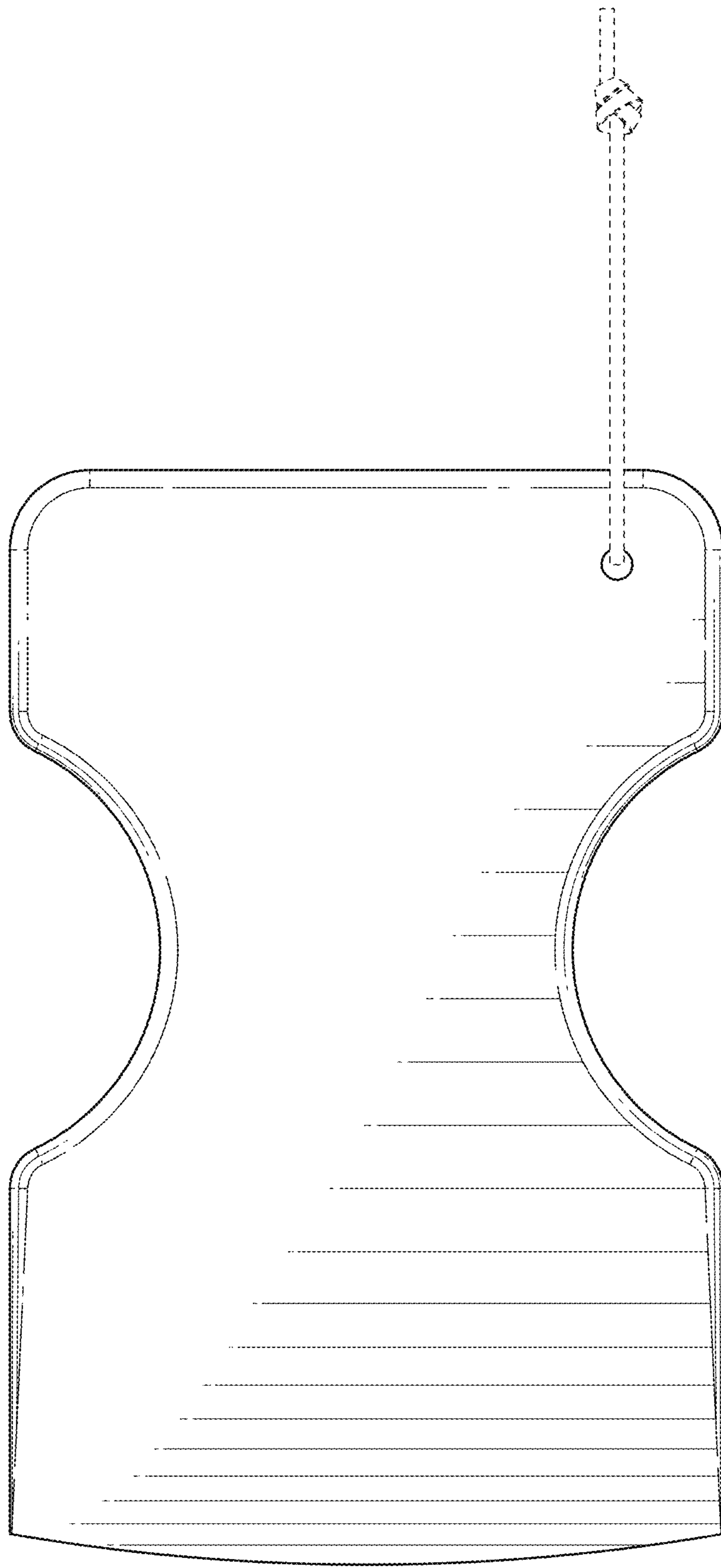


FIG. 3

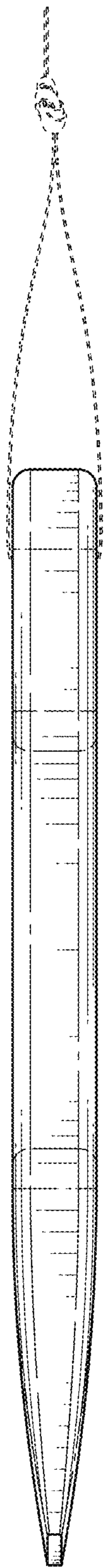


FIG. 4

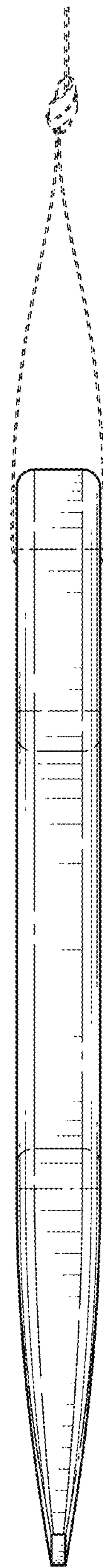


FIG. 5

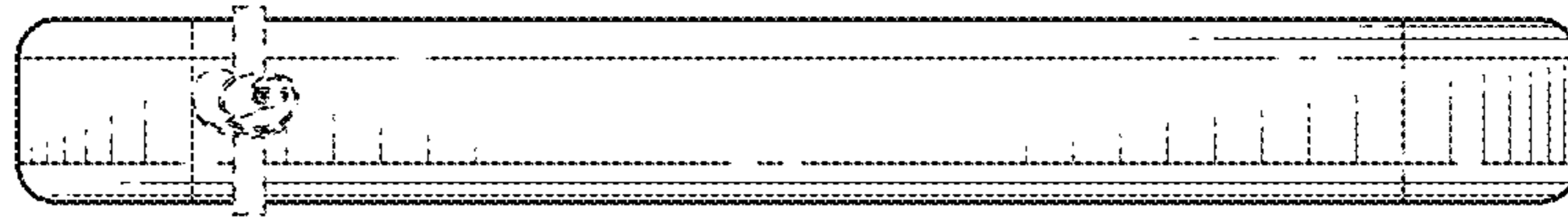


FIG. 6

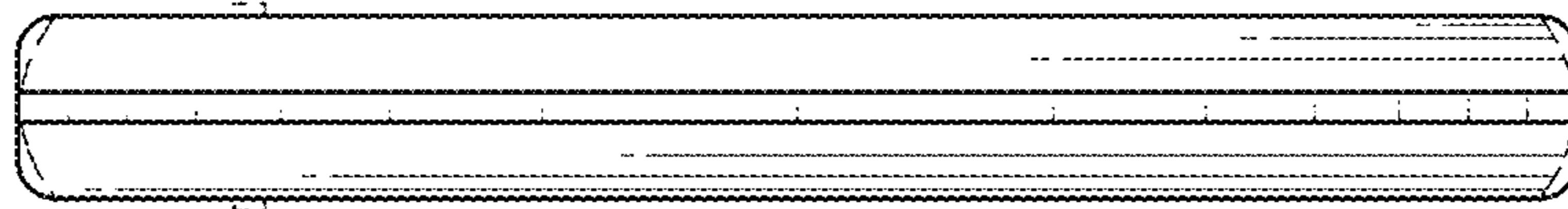


FIG. 7

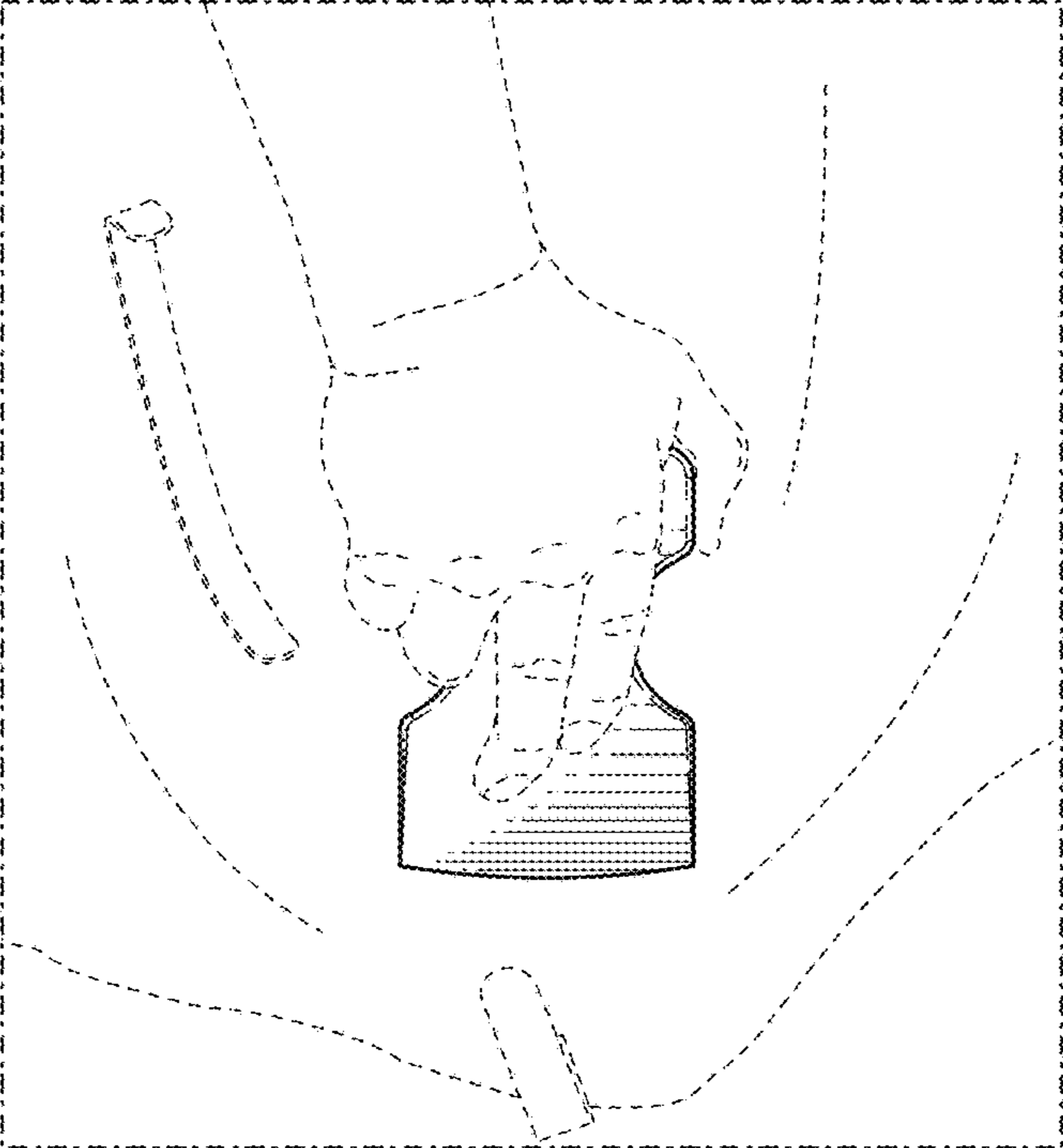


FIG. 8

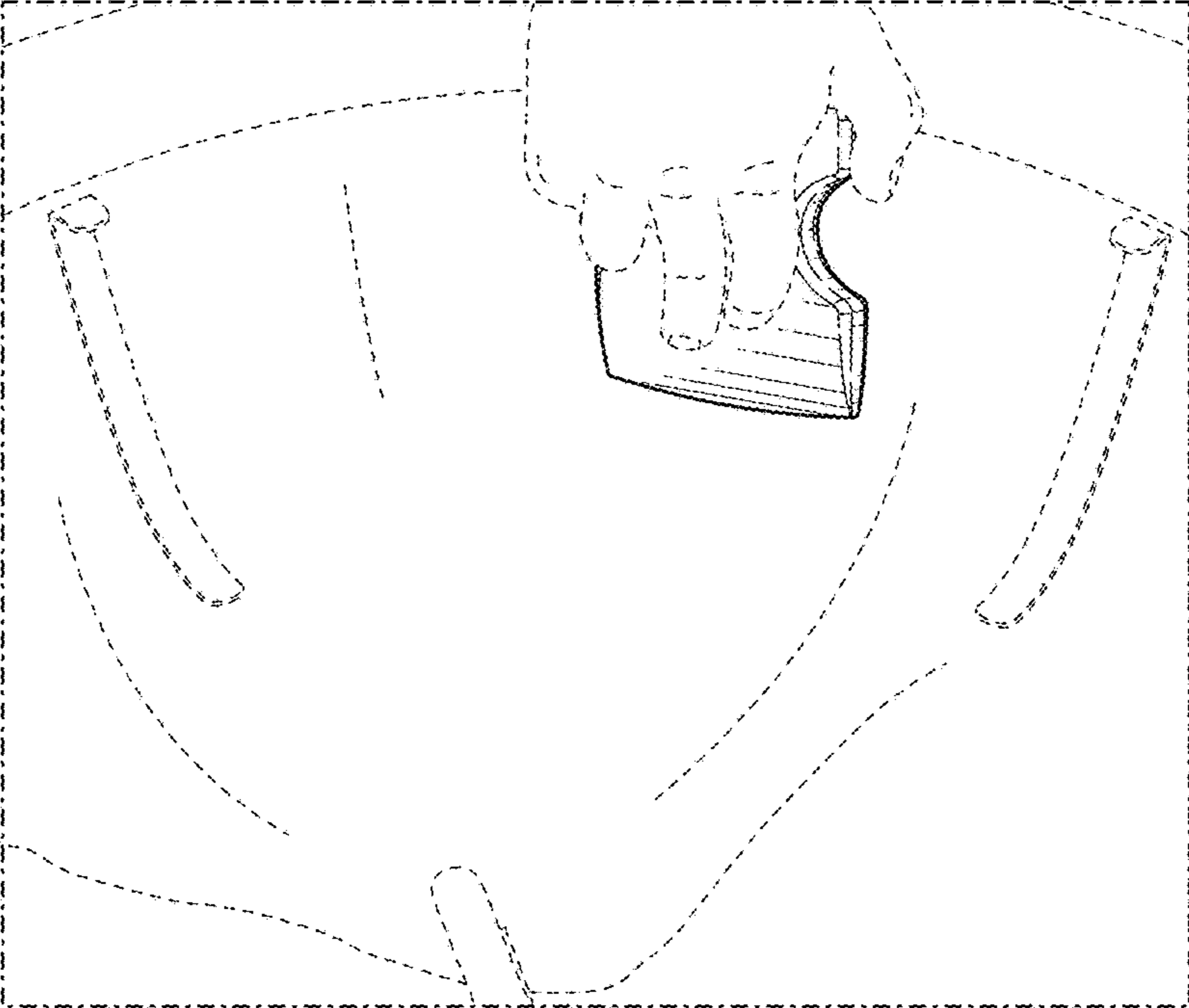


FIG. 9