



US00D830027S

(12) **United States Design Patent** (10) **Patent No.:** **US D830,027 S**
Zhou (45) **Date of Patent:** **** Oct. 2, 2018**

(54) **BRUSH CLEANING PAD**
(71) Applicant: **Grace Harvest & Assoc. LLC**, Mercer Island, WA (US)
(72) Inventor: **Xiaomei Zhou**, Mercer Island, WA (US)
(73) Assignee: **Grace Harvest & Assoc. LLC**, Mercer Island, WA (US)

D712,610 S * 9/2014 Arvinte D32/35
9,015,895 B2 * 4/2015 Filho A47L 13/18
15/227
D771,337 S * 11/2016 Gradie D32/40
D782,764 S * 3/2017 Xavier A47L 13/18
D32/40
D790,788 S * 6/2017 Xavier A47L 13/18
D32/40

(Continued)

(**) Term: **15 Years**
(21) Appl. No.: **29/610,268**

CN 303326476 * 8/2015
JP D1278064 * 8/2006

FOREIGN PATENT DOCUMENTS

(22) Filed: **Jul. 11, 2017**
(51) **LOC (11) Cl.** **07-05**
(52) **U.S. Cl.**
USPC **D32/40**
(58) **Field of Classification Search**
USPC D32/39-46, 49-52; D34/4; D6/598;
D21/600
CPC . A47K 7/02; A61M 1/00; A47L 13/00; A47L
13/10; B32B 5/18; B24D 11/00; B24D
3/00; B24D 3/34
See application file for complete search history.

OTHER PUBLICATIONS

CosMat™ Makeup Brush Cleaning Pads | LTD Commodities, oldest reviews 2018, [https://www.ltdcommodities.com/Clothing---Accessories/Health---Beauty/CosMat+Makeu . . .](https://www.ltdcommodities.com/Clothing---Accessories/Health---Beauty/CosMat+Makeu...) site visited May 26, 2018 (Year: 2018).*

Primary Examiner — John Windmuller
Assistant Examiner — John R Yeh
(74) *Attorney, Agent, or Firm* — Seed Intellectual Property Law Group LLP

(56) **References Cited**

(57) **CLAIM**

The ornamental design for a brush cleaning pad, as shown and described.

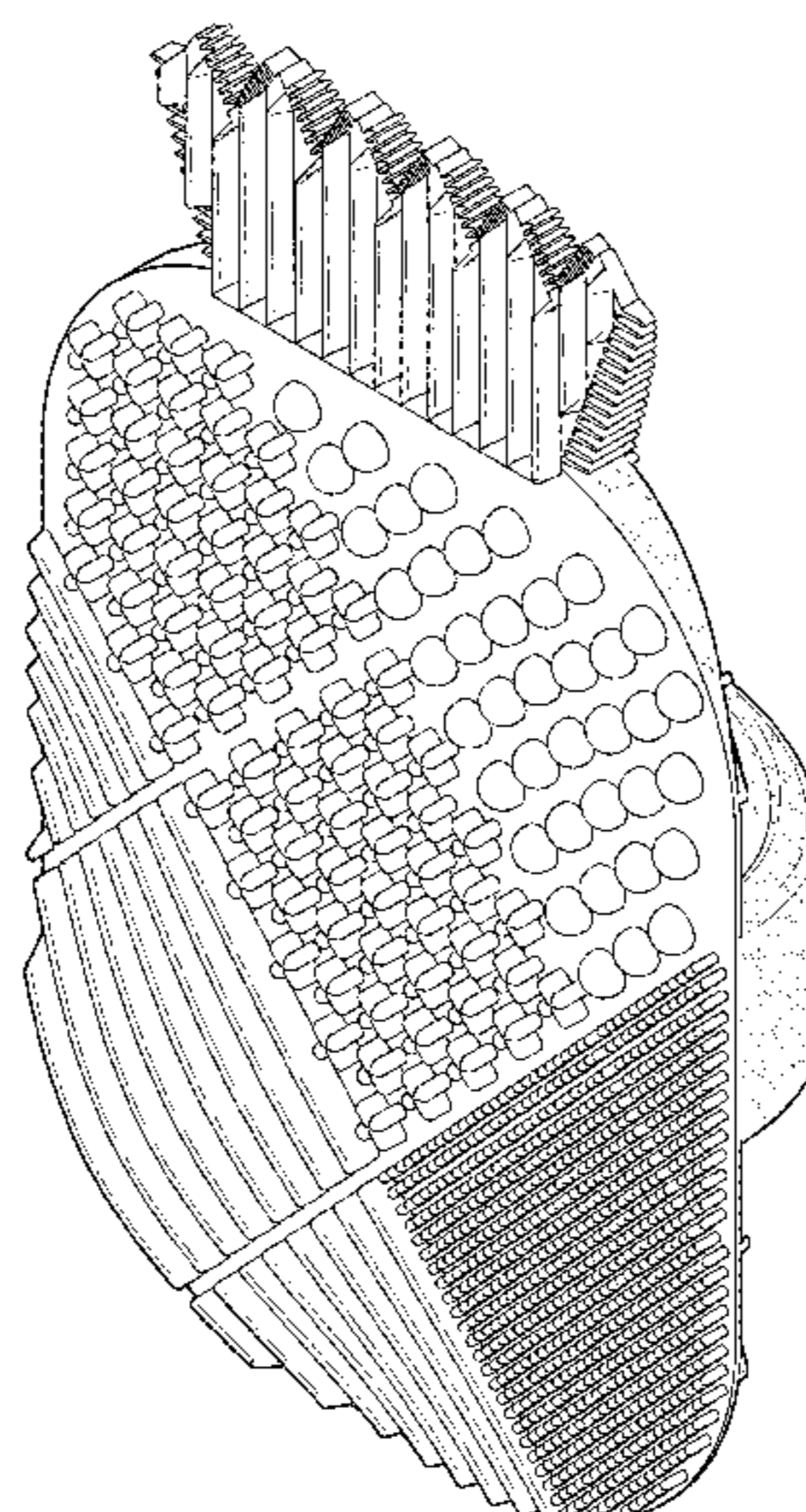
U.S. PATENT DOCUMENTS

DESCRIPTION

5,613,897 A * 3/1997 Thompson, Jr. A47L 13/282
134/6
D418,945 S * 1/2000 Chen D28/63
D426,690 S * 6/2000 Sakai D32/43
D429,860 S * 8/2000 Denney D32/40
D506,587 S * 6/2005 Armaly, Jr. A47L 13/16
D28/63
D514,762 S * 2/2006 Franco D28/63
8,142,879 B2 * 3/2012 Whitaker B29C 53/063
428/172
D667,187 S * 9/2012 Sowinski D32/40
D685,560 S * 7/2013 Lee D32/57
8,528,150 B1 * 9/2013 Mellott A47L 13/16
15/227

FIG. 1 is an upper front right perspective view of a brush cleaning pad showing my new design.
FIG. 2 is a lower rear left perspective view thereof.
FIG. 3 is a front elevation view thereof.
FIG. 4 is a left side elevation view thereof.
FIG. 5 is a right side elevation view thereof.
FIG. 6 is a top plan view thereof.
FIG. 7 is a bottom plan view thereof; and,
FIG. 8 is a rear elevation view thereof.

1 Claim, 6 Drawing Sheets



(56)

References Cited

U.S. PATENT DOCUMENTS

D799,130 S * 10/2017 Cornelius D32/40
D802,237 S * 11/2017 Huang D32/35
2006/0036225 A1* 2/2006 Middlesworth ... A61F 13/15593
604/378
2012/0060312 A1* 3/2012 Kubes A47L 13/16
15/228
2012/0160401 A1* 6/2012 Whitaker B29C 53/063
156/217
2014/0000052 A1* 1/2014 Filho A47L 13/18
15/227
2014/0050878 A1* 2/2014 Calkins B32B 27/065
428/76
2016/0138458 A1* 5/2016 Weidner B32B 5/18
285/363
2018/0125277 A1* 5/2018 Sustar A47G 27/0225

* cited by examiner

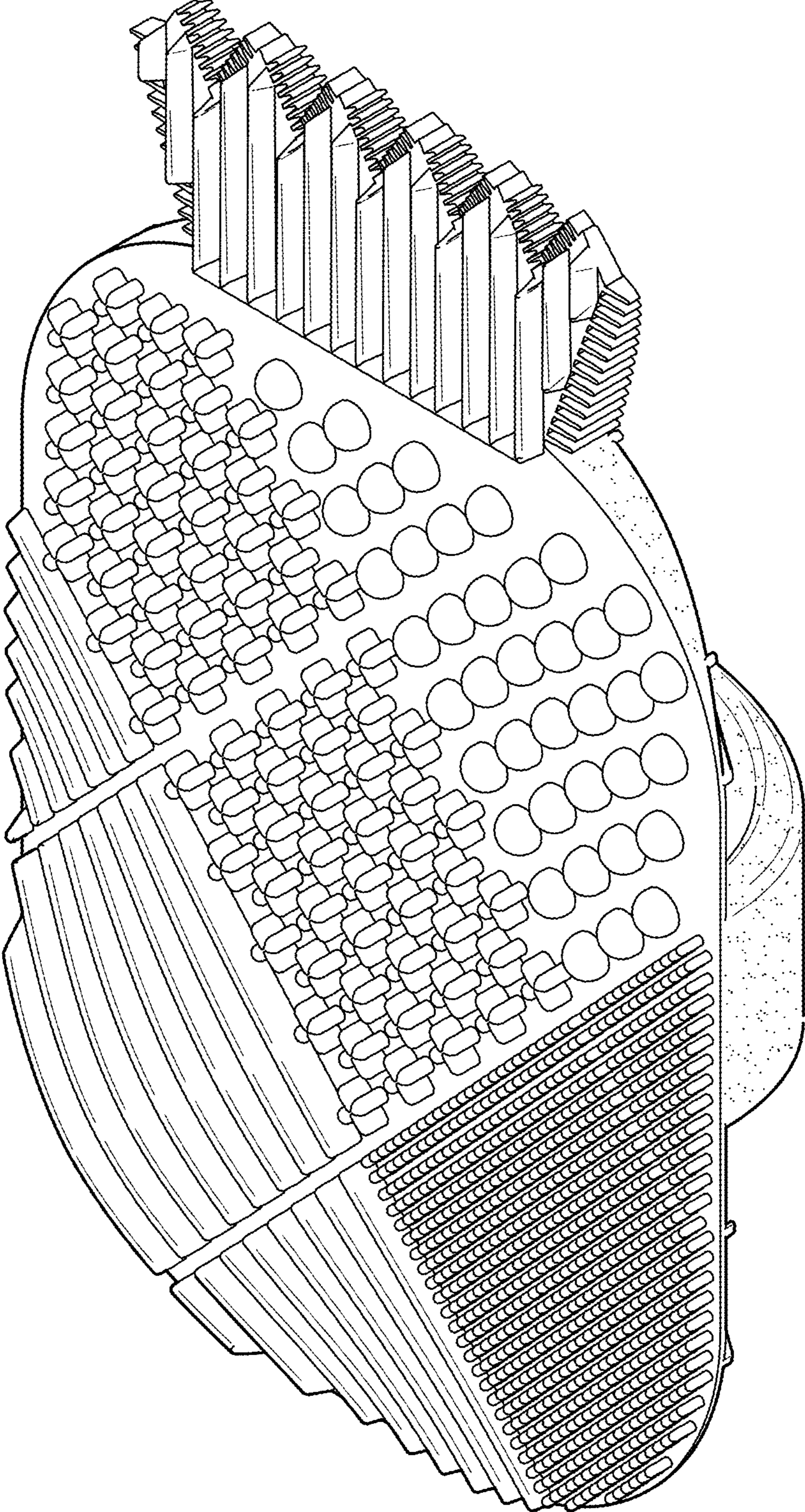


FIG. 1

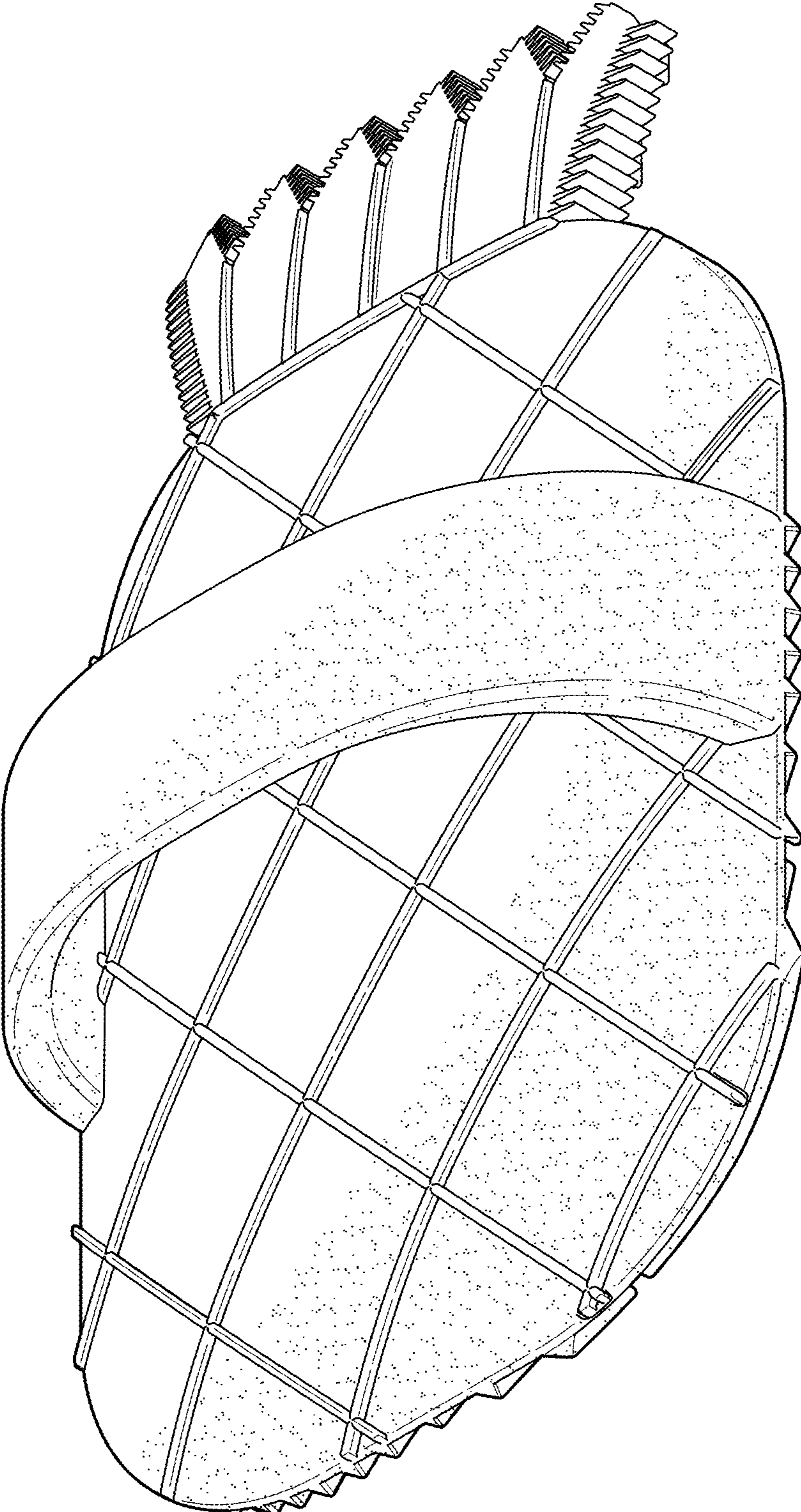


FIG. 2

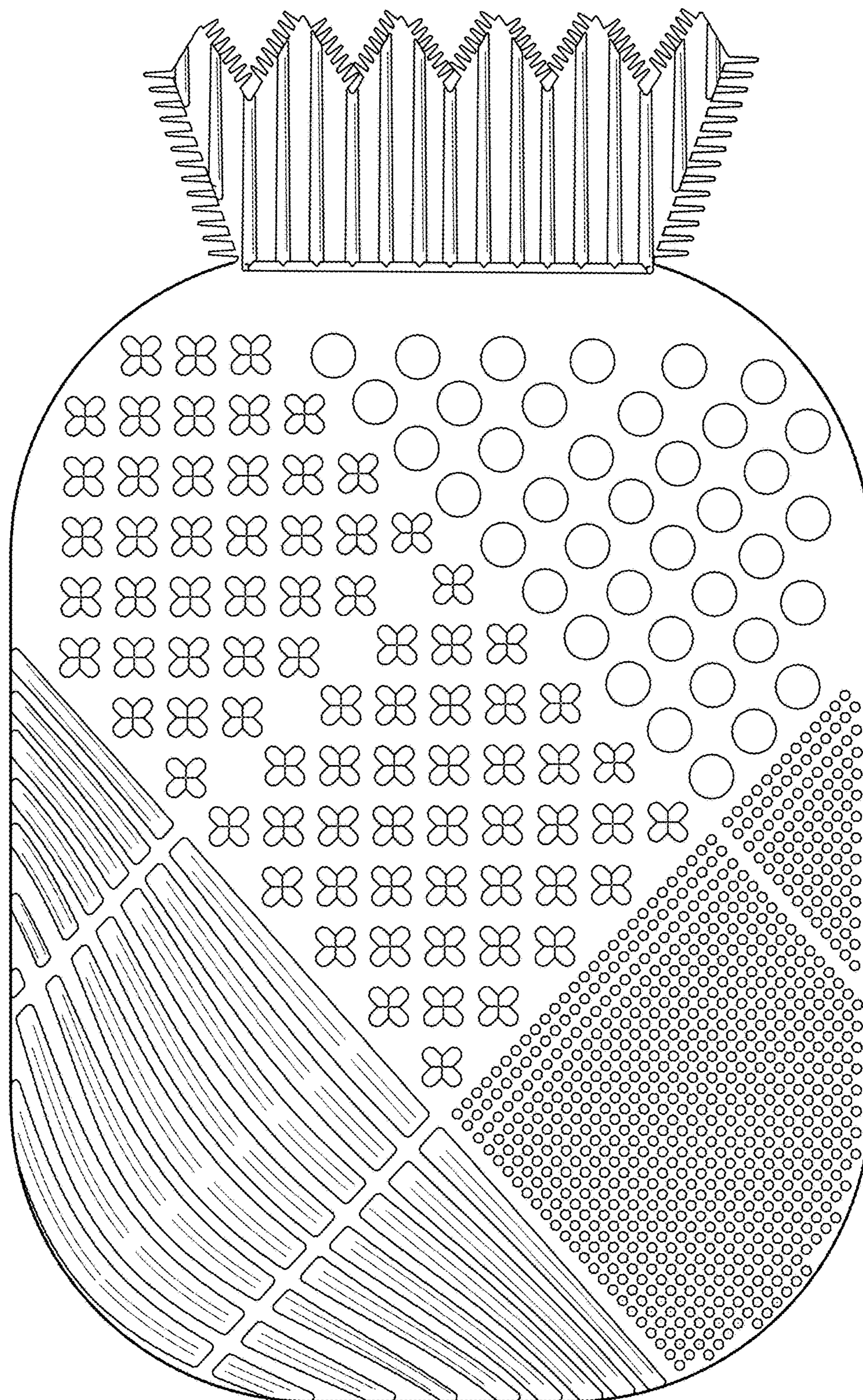


FIG. 3

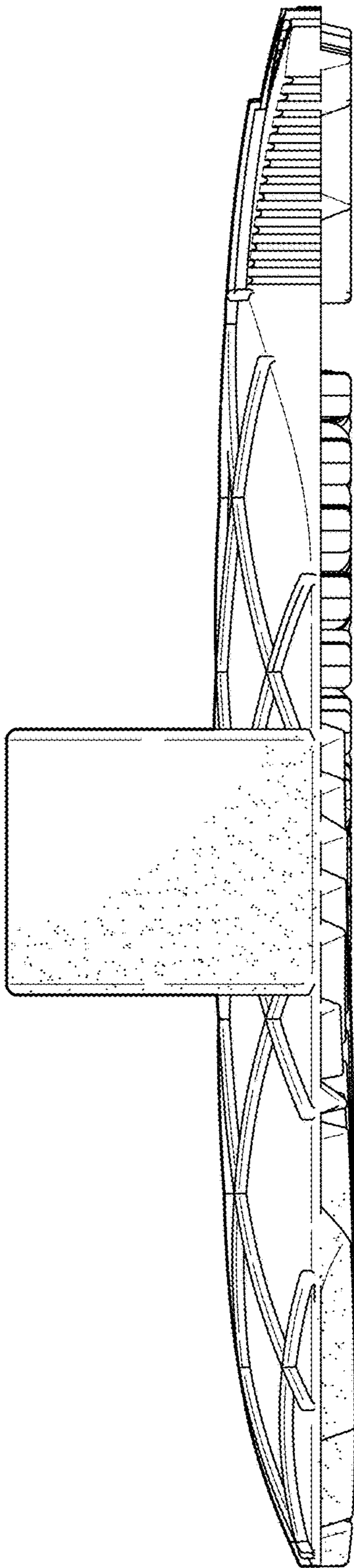


FIG. 4

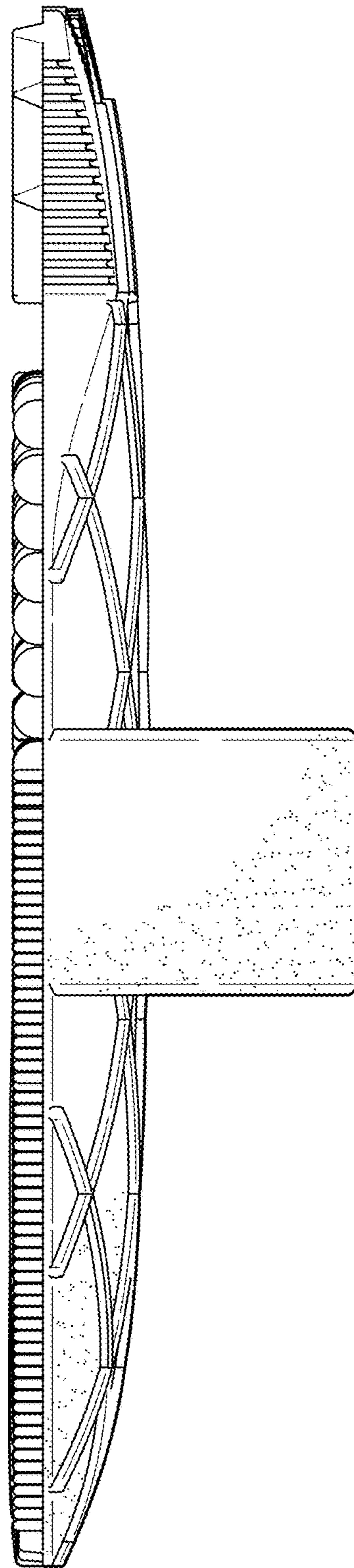


FIG. 5

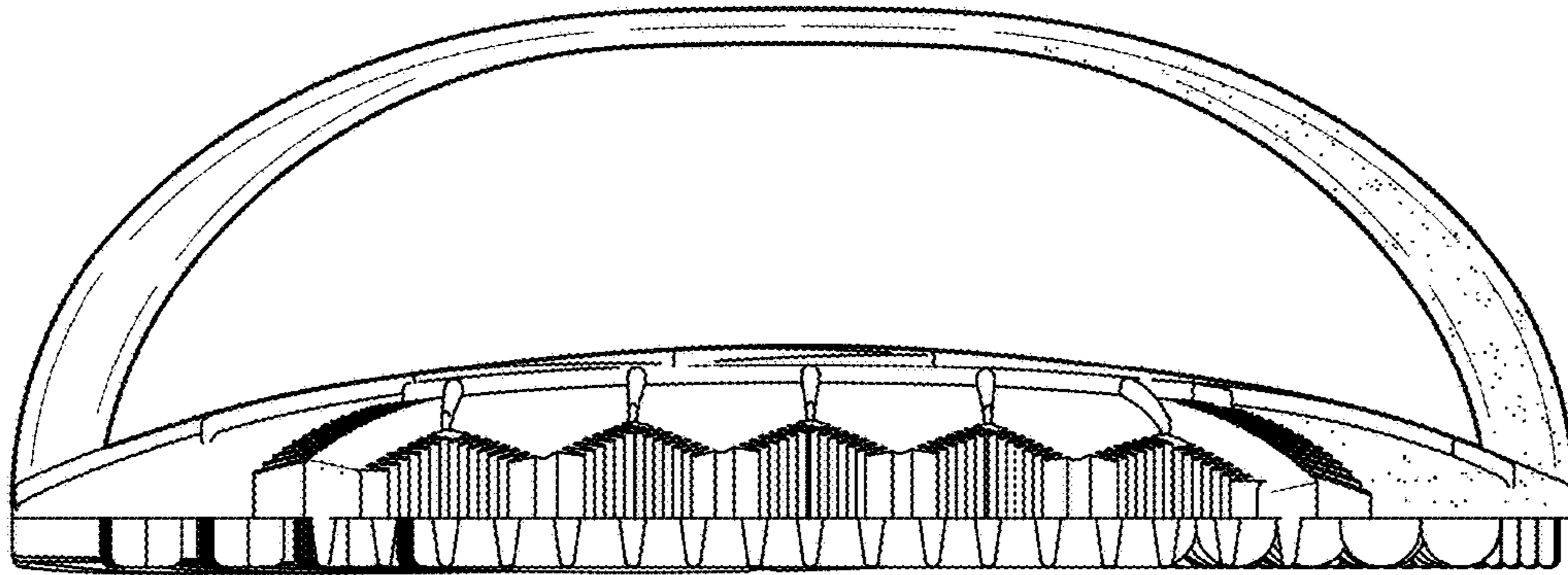


FIG. 6

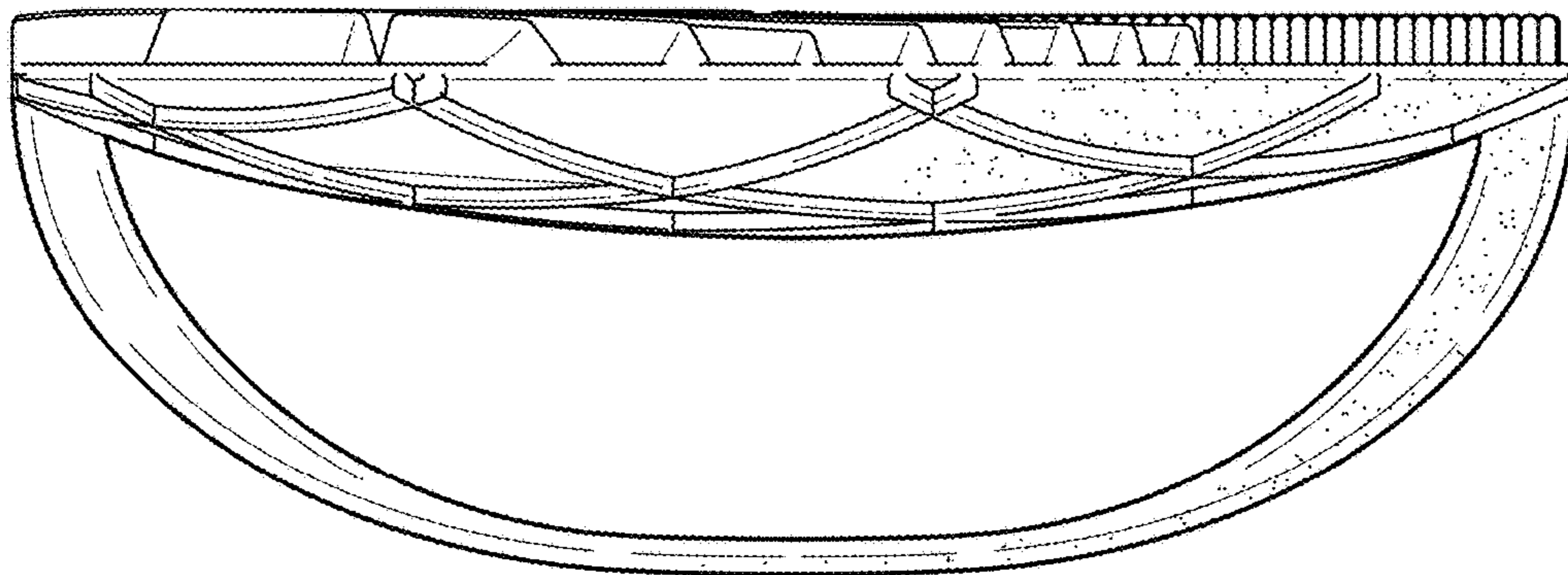


FIG. 7

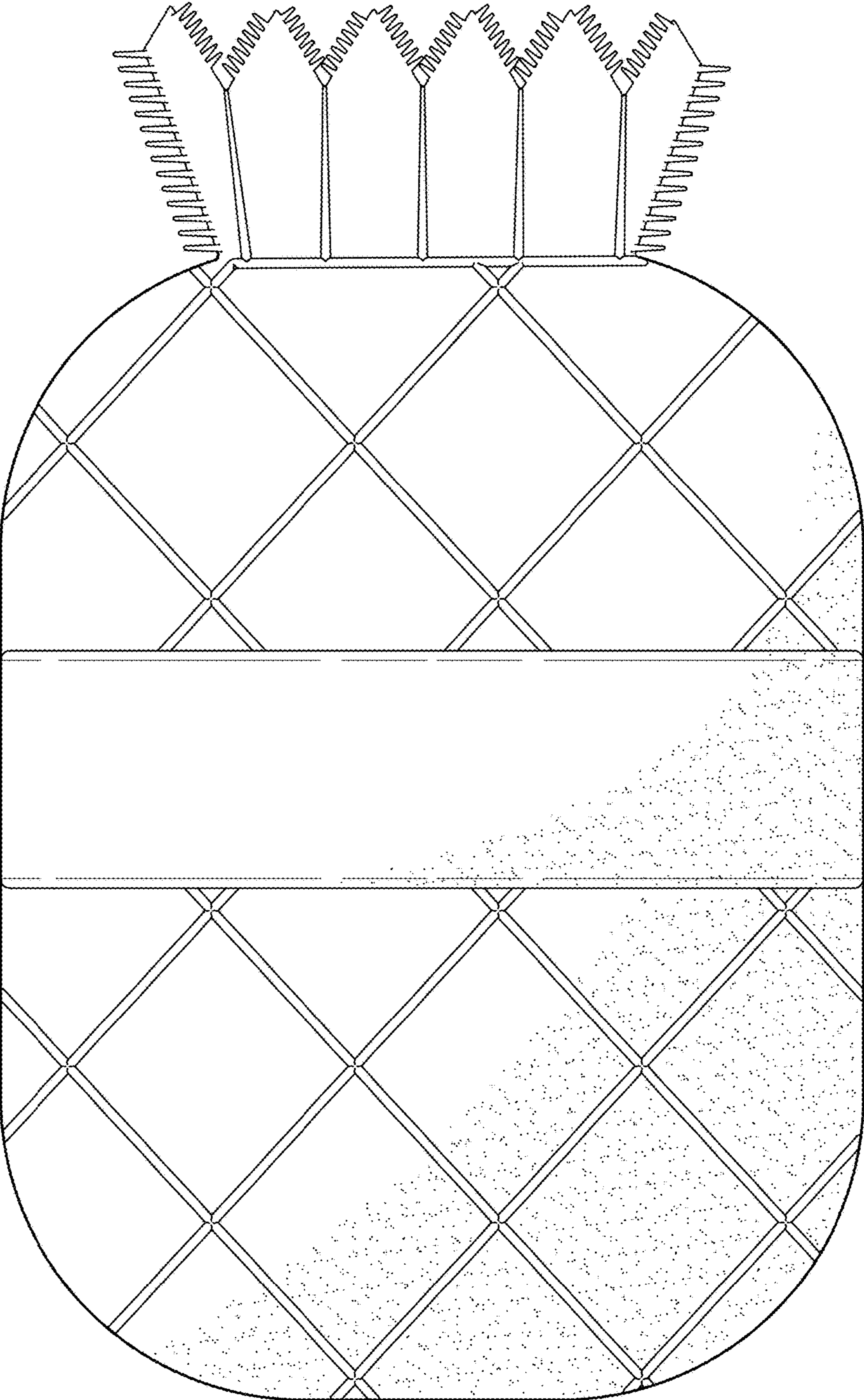


FIG. 8