



US00D830024S

(12) **United States Design Patent**
Lim

(10) **Patent No.:** **US D830,024 S**
(45) **Date of Patent:** **** Oct. 2, 2018**

(54) **SUCTION NOZZLE FOR VACUUM CLEANER**

(71) Applicant: **LG ELECTRONICS INC.**, Seoul (KR)

(72) Inventor: **Heeseung Lim**, Seoul (KR)

(73) Assignee: **LG ELECTRONICS INC.**, Seoul (KR)

(**) Term: **15 Years**

(21) Appl. No.: **35/503,290**

(22) Filed: **Jan. 2, 2017**

(80) **Hague Agreement Data**

Int. Filing Date: **Jan. 2, 2017**
Int. Reg. No.: **DM/094283**
Int. Reg. Date: **Jan. 2, 2017**
Int. Reg. Pub. Date: **Jul. 7, 2017**

(30) **Foreign Application Priority Data**

Jul. 6, 2016 (KR) 30-2016-0032986

(51) **LOC (11) Cl.** **15-05**

(52) **U.S. Cl.**
USPC **D32/32**

(58) **Field of Classification Search**
USPC D32/21, 22, 23, 30, 31, 32
CPC A47L 5/24; A47L 5/28; A47L 2201/04;
A47L 2201/00; A47L 2201/024
See application file for complete search history.

(56) **References Cited**

U.S. PATENT DOCUMENTS

D668,408 S * 10/2012 Kim D32/31
D669,237 S * 10/2012 Kim D32/31

D679,878 S * 4/2013 Chudleigh D32/33
D744,708 S * 12/2015 Cheon D32/31
D789,632 S * 6/2017 Gardner D32/31
D808,099 S * 1/2018 Yoo D32/23
D812,328 S * 3/2018 Dunbar D32/21
D812,329 S * 3/2018 Nam D32/21
D818,225 S * 5/2018 Nam A47L 5/30
D818,226 S * 5/2018 Nam A47L 9/0072
2006/0196004 A1* 9/2006 Conrad A47L 5/30
2013/0036573 A1* 2/2013 Ventress A47L 9/0072
15/352
15/344

* cited by examiner

Primary Examiner — Robert M. Spear
(74) *Attorney, Agent, or Firm* — Birch, Stewart, Kolasch & Birch, LLP

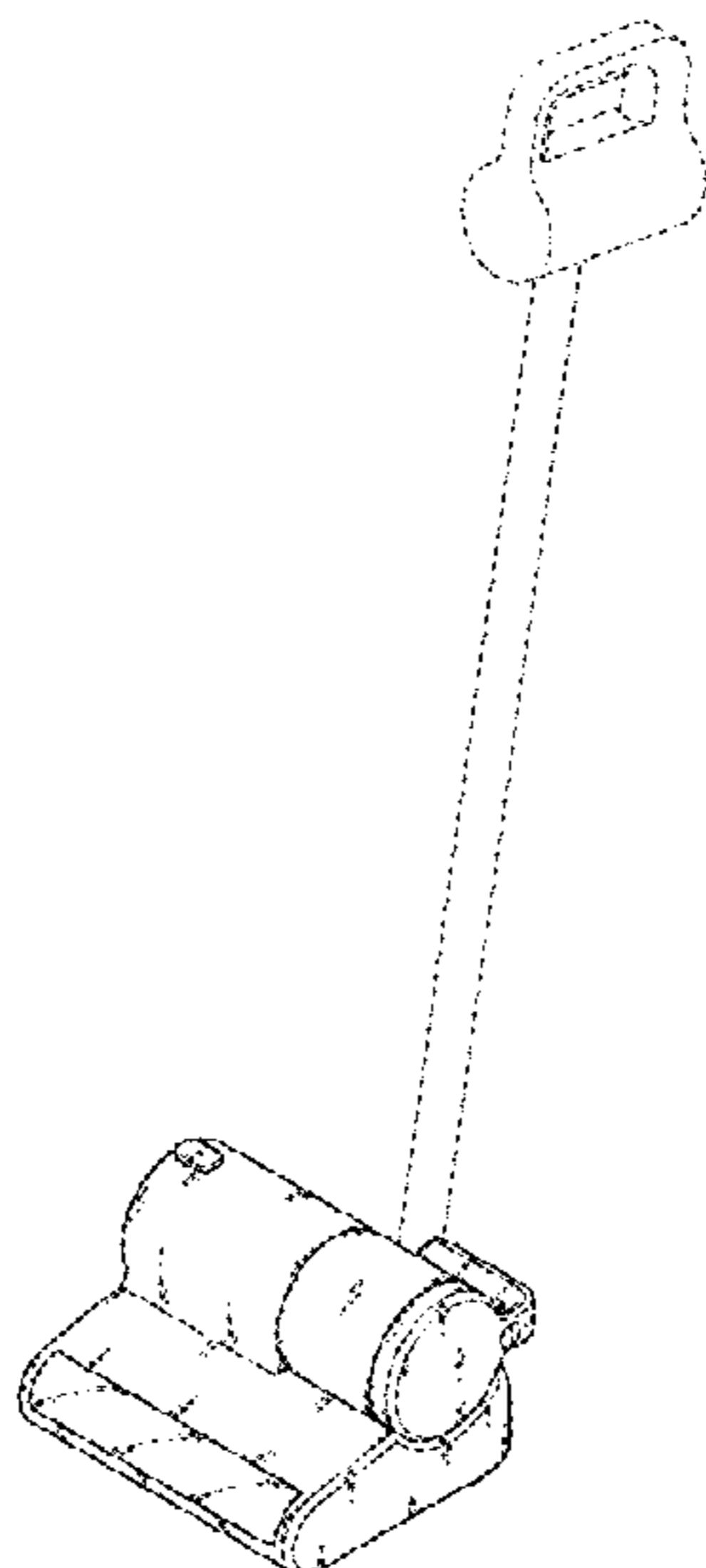
(57) **CLAIM**

The ornamental design for a suction nozzle for vacuum cleaner, as shown and described.

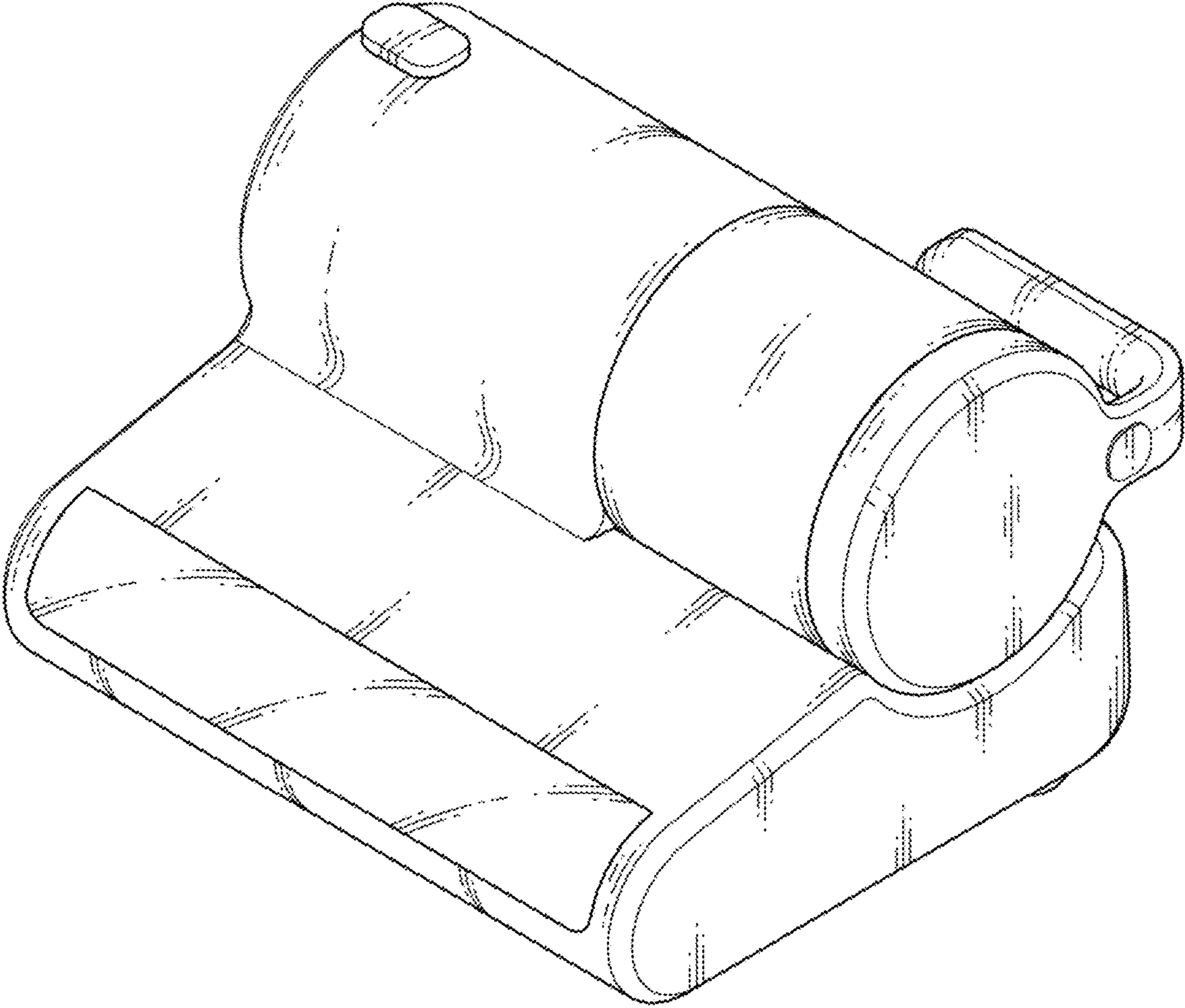
DESCRIPTION

- 1. Suction nozzle for vacuum cleaner
- 1.1: Top right front perspective view;
- 1.2: Front elevational view;
- 1.3: Rear elevational view;
- 1.4: Left side elevational view;
- 1.5: Right side elevational view;
- 1.6: Top plan view;
- 1.7: Bottom plan view;
- 1.8: Top right rear perspective view;
- 1.9: Top right front perspective view with an unattached unclaimed vacuum cleaner shown in broken lines forming no part of the claim; and
- 1.10: Top right front perspective view with an attached unclaimed vacuum cleaner shown in broken lines forming no part of the claim.

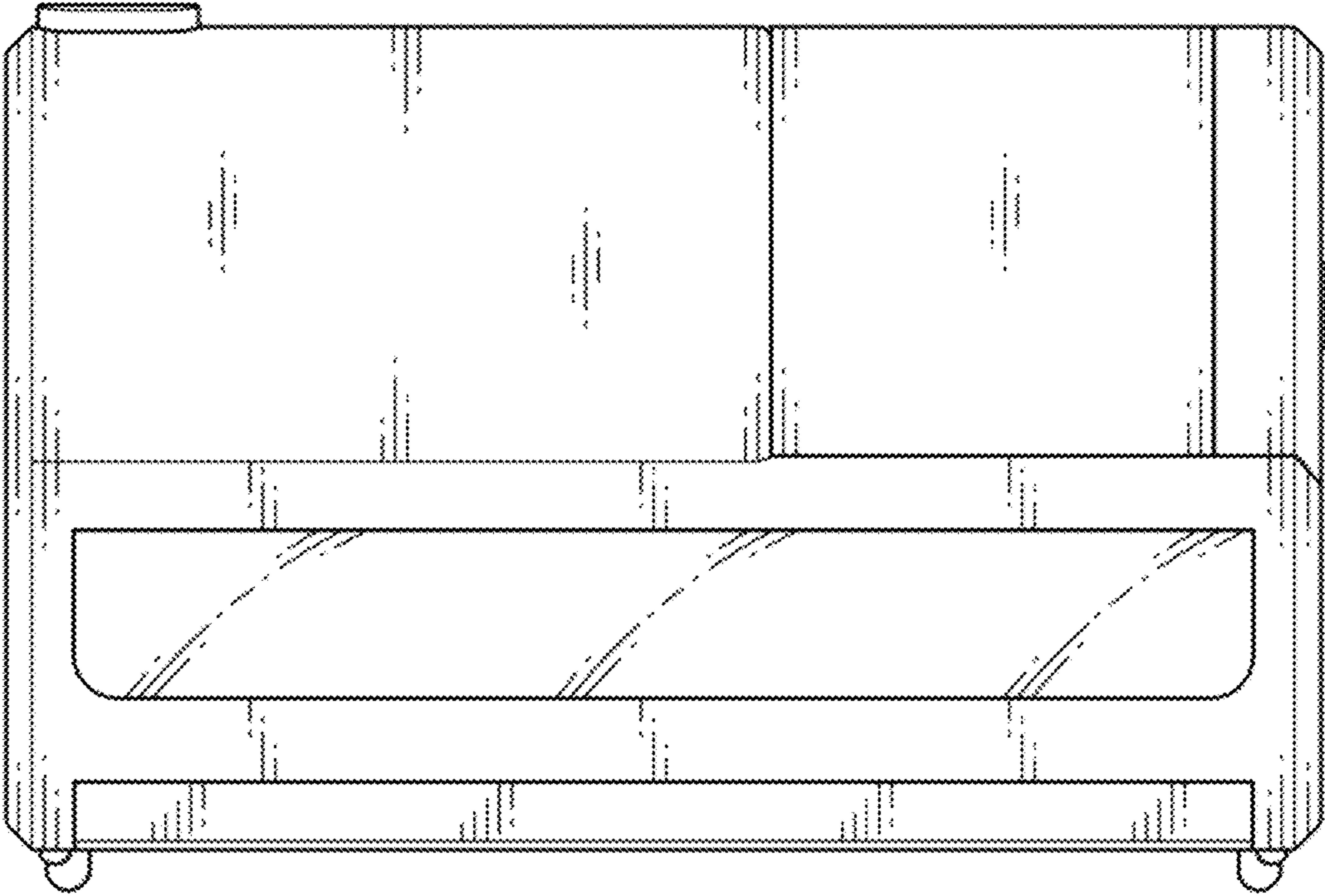
1 Claim, 10 Drawing Sheets



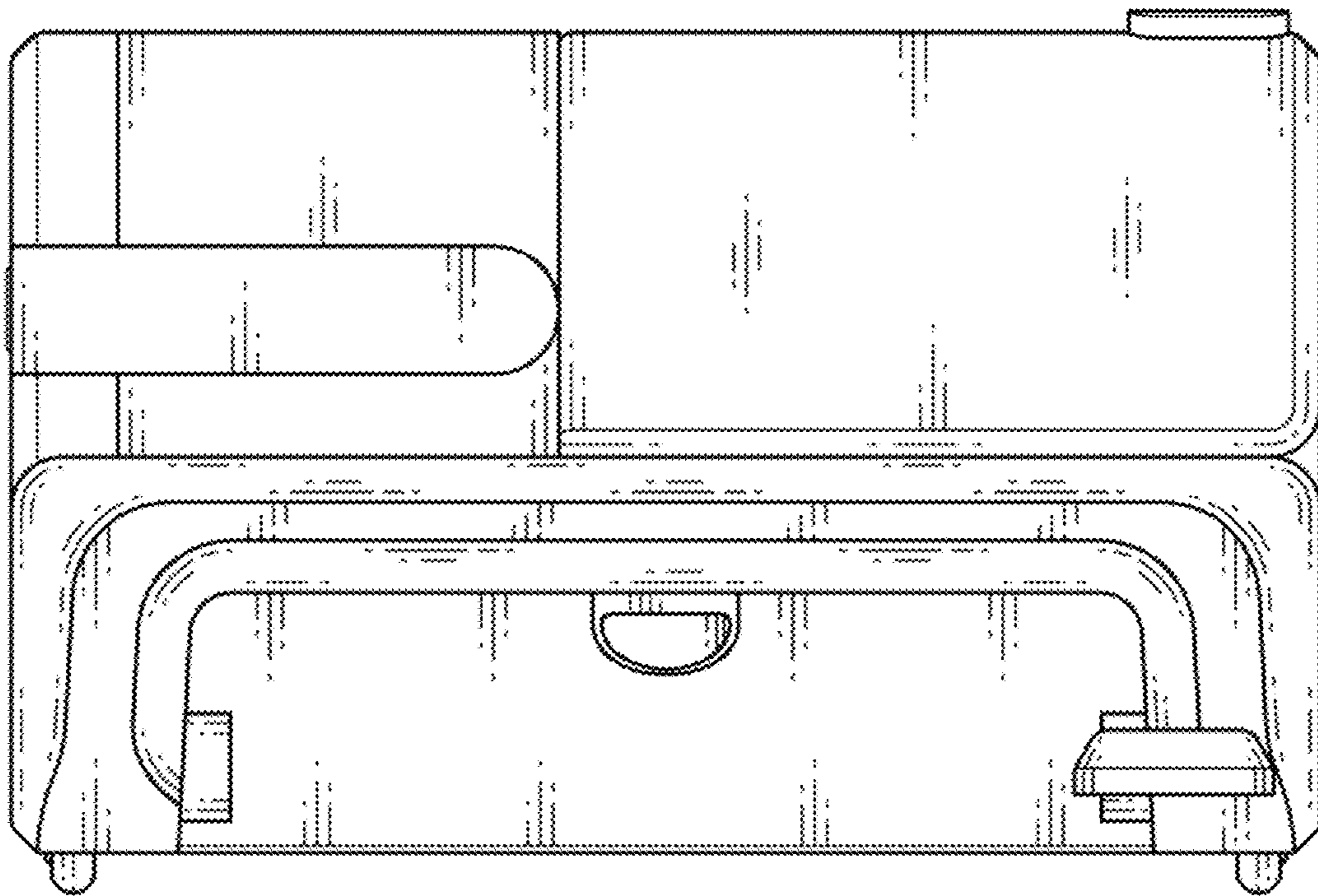
1.1



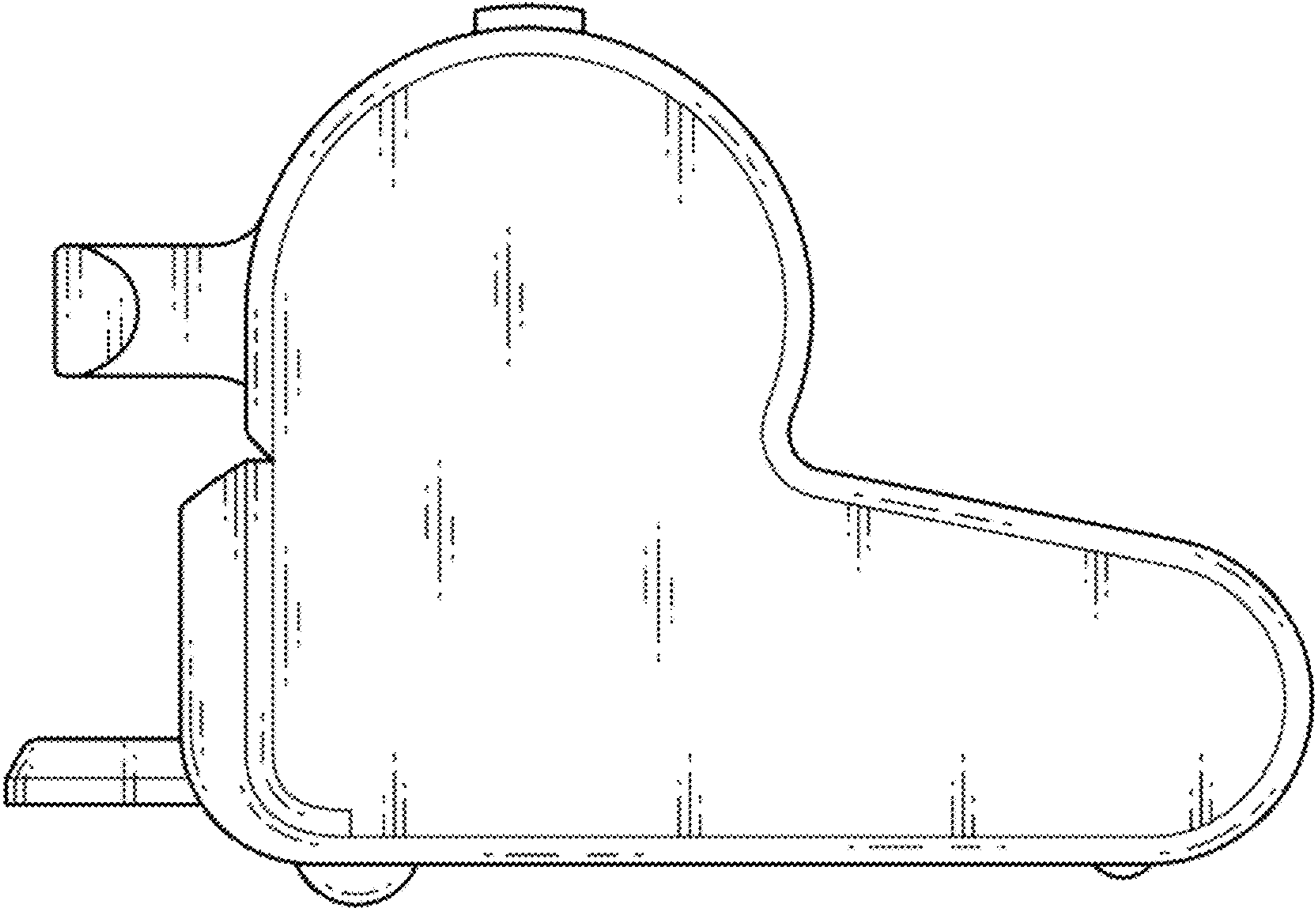
1.2



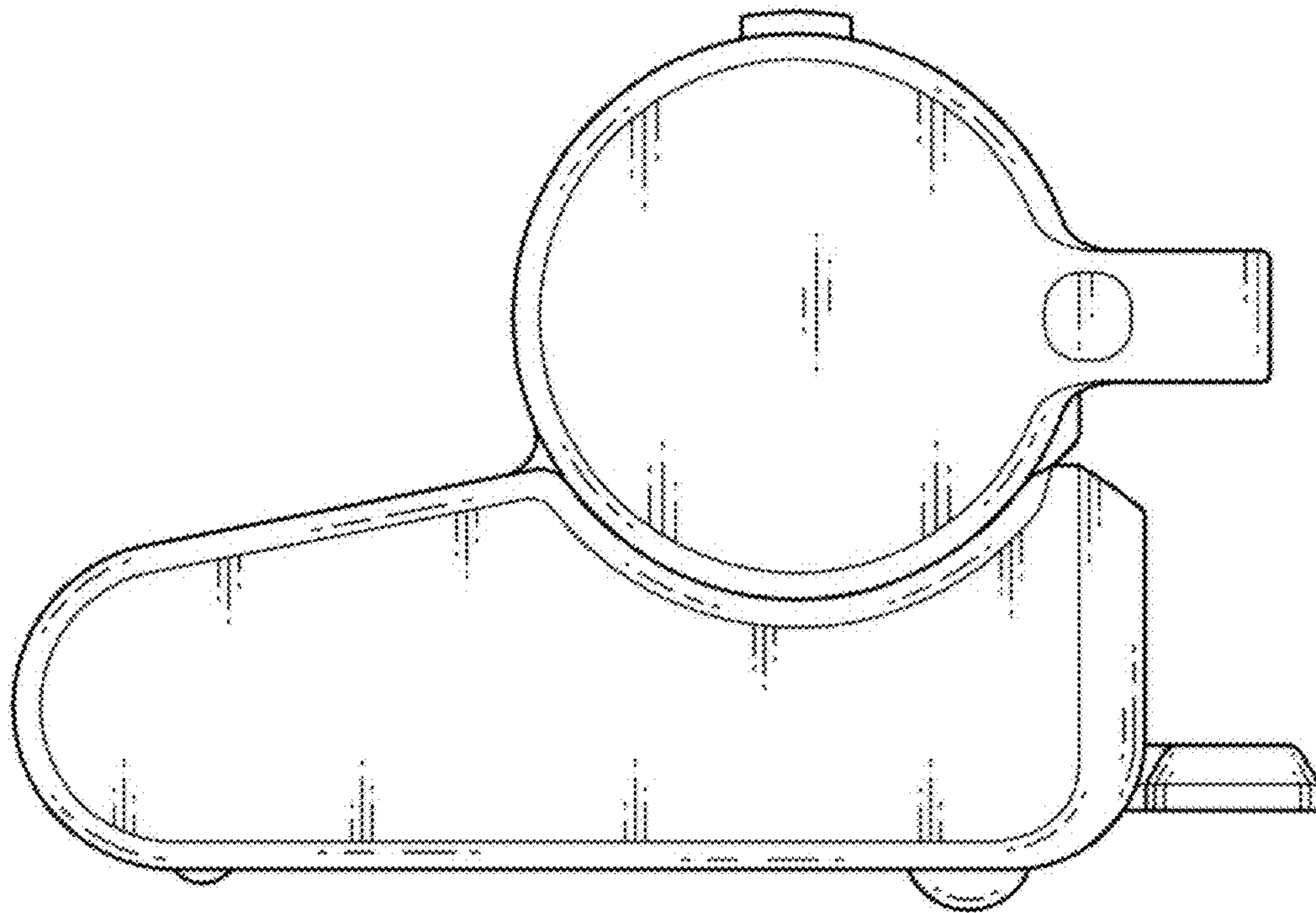
1.3



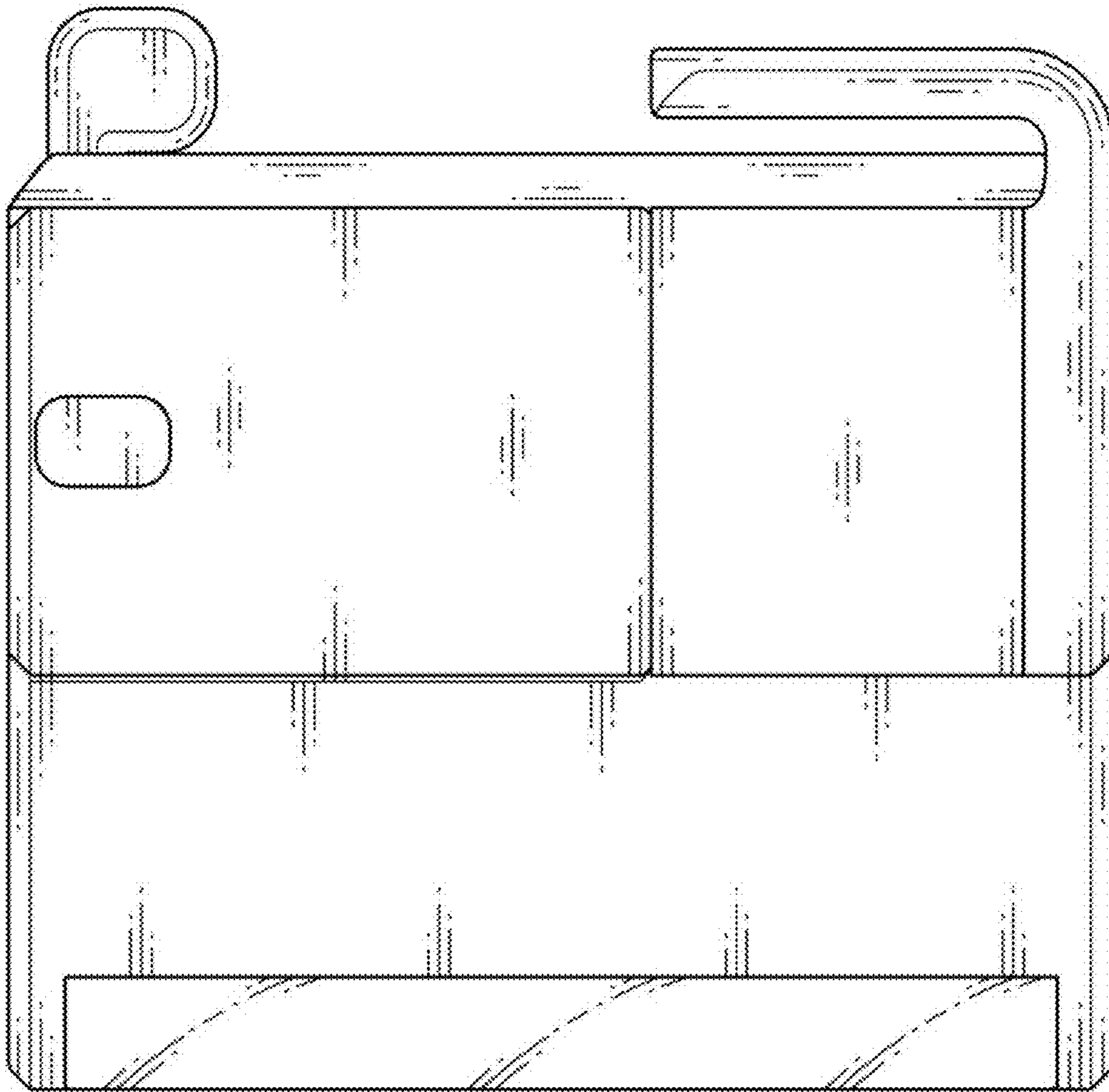
1.4



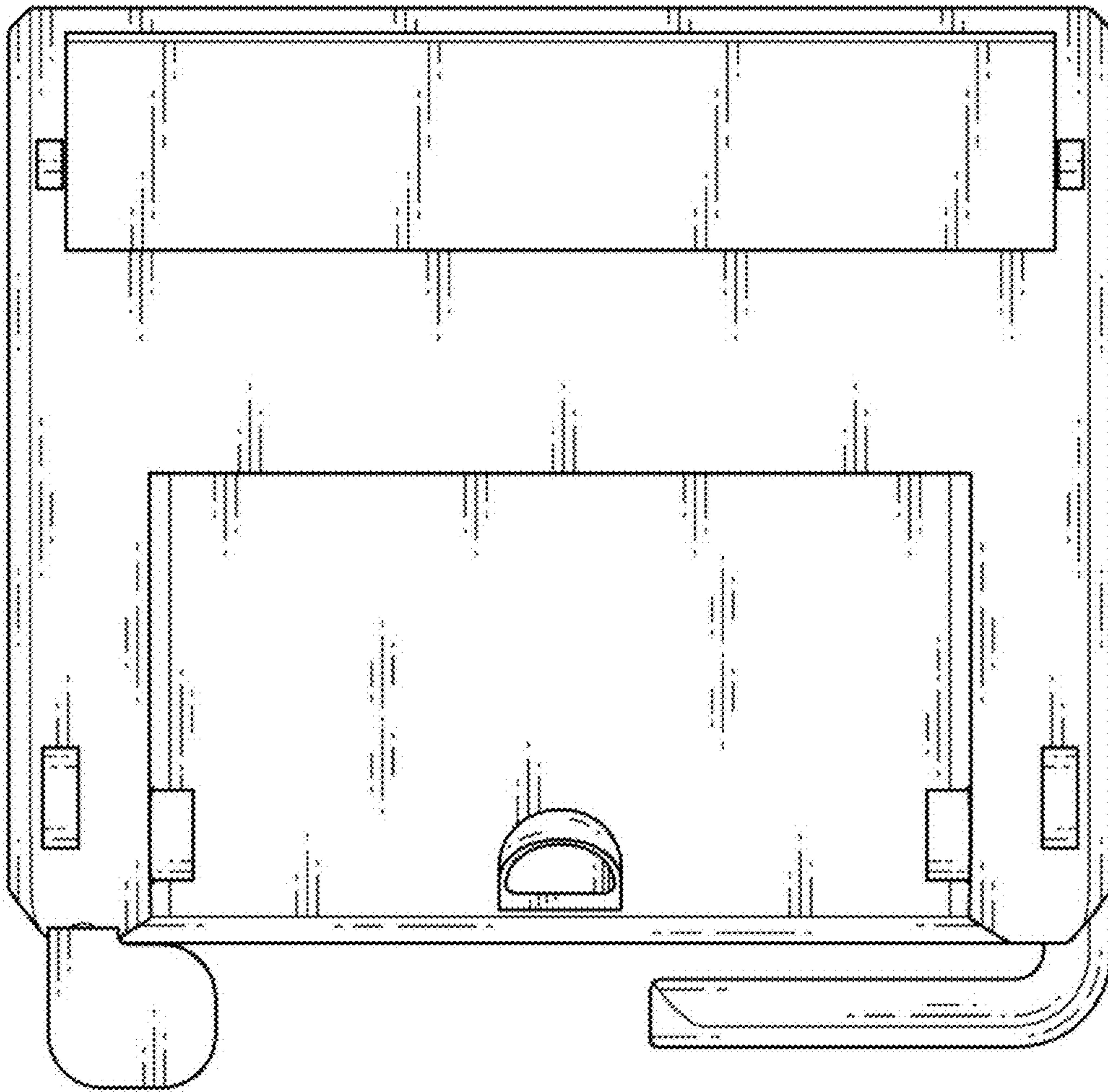
1.5



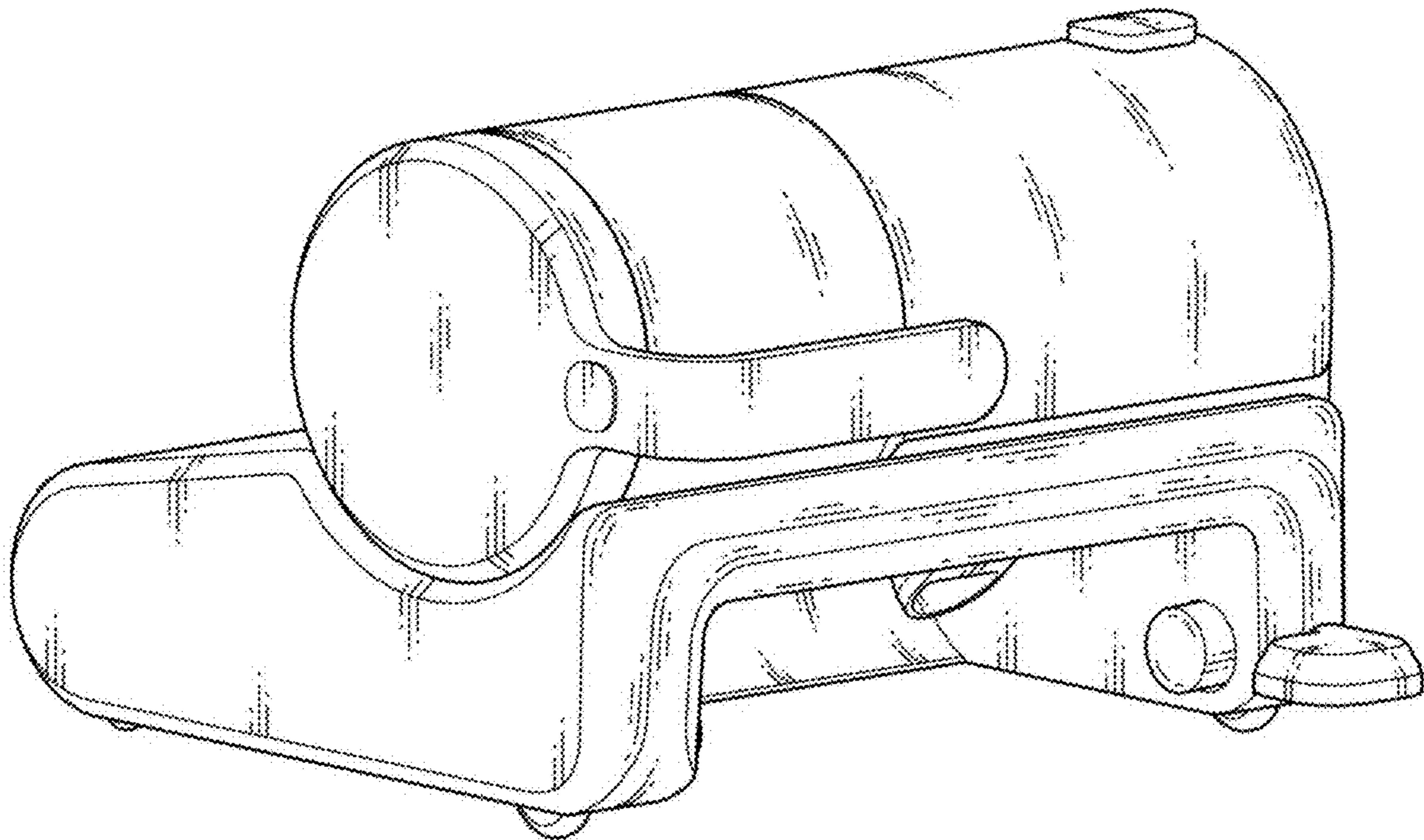
1.6



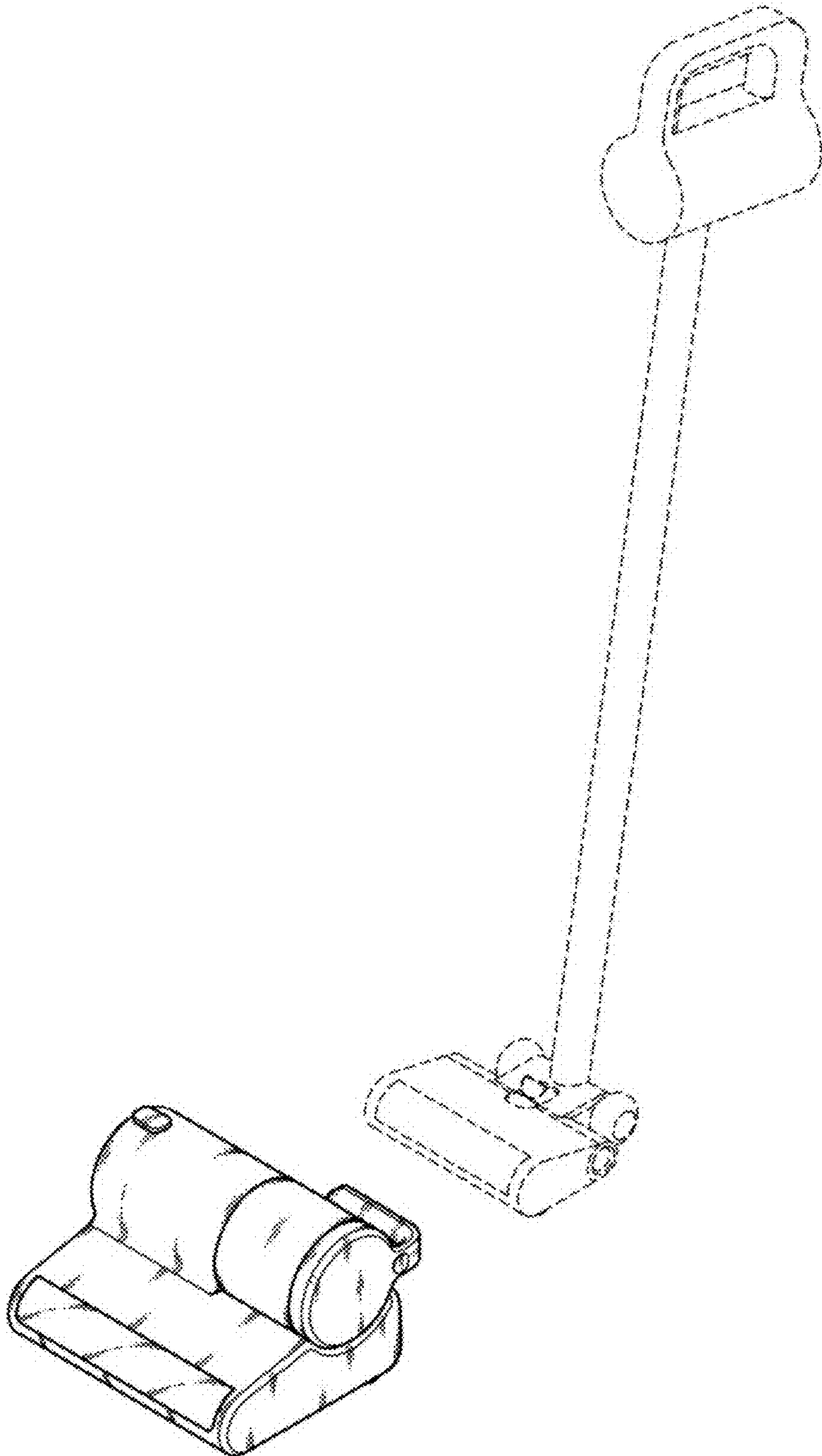
1.7



1.8



1.9



1.10

