



US00D830023S

(12) **United States Design Patent**  
**Kantas**

(10) **Patent No.:** **US D830,023 S**

(45) **Date of Patent:** **\*\* Oct. 2, 2018**

(54) **VACUUM ATTACHMENT**

(71) Applicant: **Anthony Kantas**, Olympia, WA (US)

(72) Inventor: **Anthony Kantas**, Olympia, WA (US)

(73) Assignee: **Anthony Kantas**, Olympia, WA (US)

(\*\*) Term: **15 Years**

(21) Appl. No.: **29/612,926**

(22) Filed: **Aug. 4, 2017**

(51) **LOC (11) Cl.** ..... **15-05**

(52) **U.S. Cl.**  
USPC ..... **D32/32**

(58) **Field of Classification Search**  
USPC ..... D32/31-34, 20-22, 38-39, 45; D15/138,  
D15/126; D8/70

CPC ..... A47L 9/02; A47L 9/04; A47L 9/06; A47L  
9/0477; A47L 9/2842; A47L 9/0693;  
A47L 9/0444; A47L 9/0461; A47L 9/325;  
A47L 9/28; A47L 5/362; A47L 5/365;  
A47L 5/325; A47L 5/28; A47L 5/30;  
A47L 5/34; A47L 5/36; A47L 5/02; A47L  
5/24; A47L 11/4044; E04H 4/1654; A46B  
13/001; E01H 1/0854; B24B 55/06;  
B23Q 11/0071; B23Q 11/0046; B27C  
5/10

See application file for complete search history.

(56) **References Cited**

**U.S. PATENT DOCUMENTS**

D590,112 S	*	4/2009	Sun	.....	D32/32
D596,362 S	*	7/2009	Crevling, Jr.	.....	D32/33
D621,112 S	*	8/2010	Benacquisto	.....	D32/33
D621,567 S	*	8/2010	Crawley	.....	D32/33
D629,981 S	*	12/2010	Roschi	.....	D32/32

D674,978 S	*	1/2013	Hill	.....	D32/32
8,595,894 B1	*	12/2013	Kakish	.....	A47L 5/24 15/339
D701,010 S	*	3/2014	Tate	.....	D32/32
D701,011 S	*	3/2014	Miller	.....	D32/32
D750,858 S	*	3/2016	Aramli	.....	D23/213
D767,224 S	*	9/2016	Santiago	.....	D32/32
D780,392 S	*	2/2017	Mikula	.....	D32/32
D785,884 S	*	5/2017	LaBarbera	.....	D32/32
D804,755 S	*	12/2017	Nam	.....	D32/33

\* cited by examiner

*Primary Examiner* — Ruth McInroy

(74) *Attorney, Agent, or Firm* — Neugeboren O'Dowd PC

(57) **CLAIM**

The ornamental design for a vacuum attachment, as shown and described.

**DESCRIPTION**

FIG. 1 is a front perspective view of a vacuum attachment showing my new design;

FIG. 2 is a front elevation view of the vacuum attachment of FIG. 1;

FIG. 3 is a rear elevation view of the vacuum attachment of FIG. 1;

FIG. 4 is a right side elevation view of the vacuum attachment of FIG. 1;

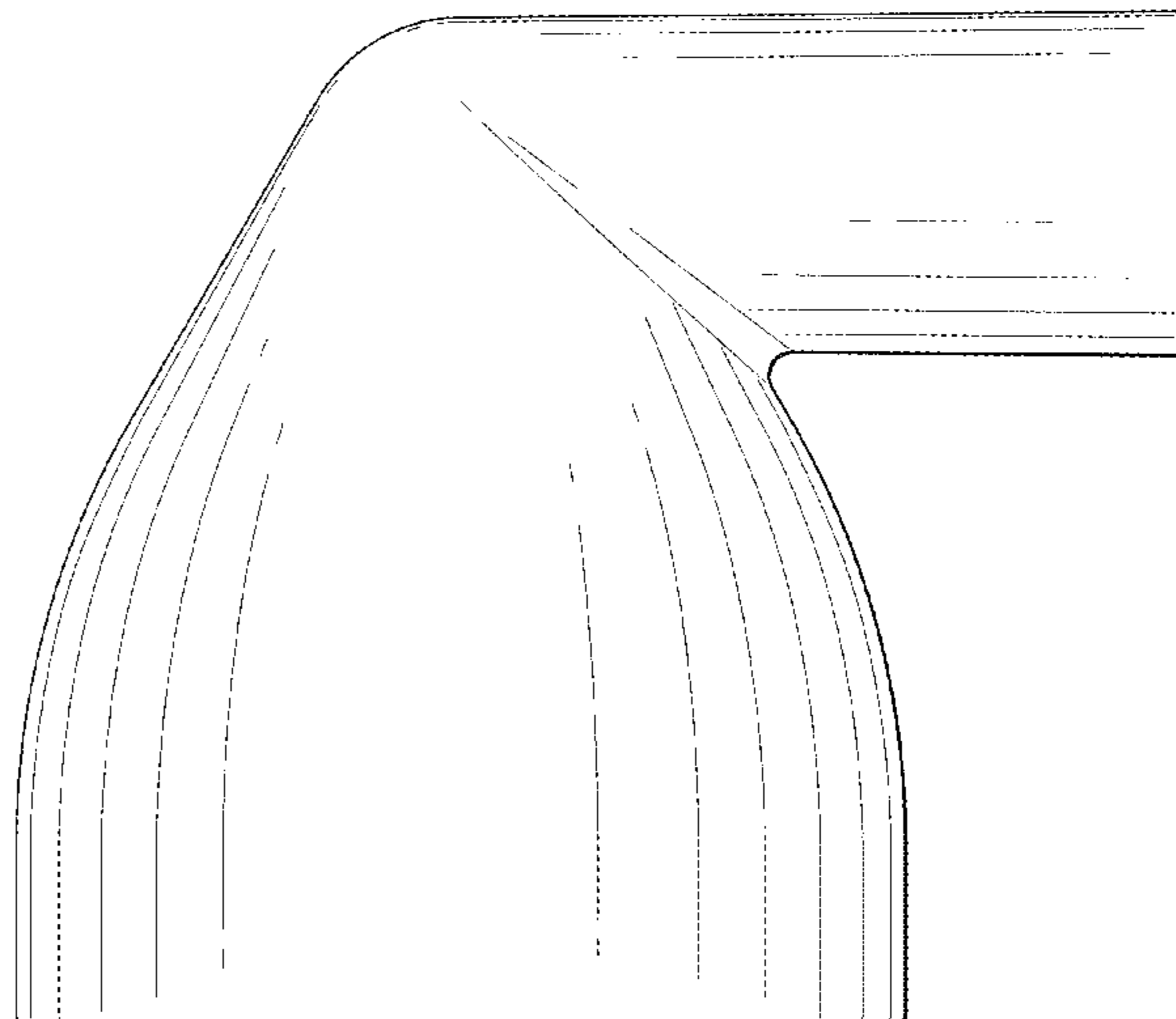
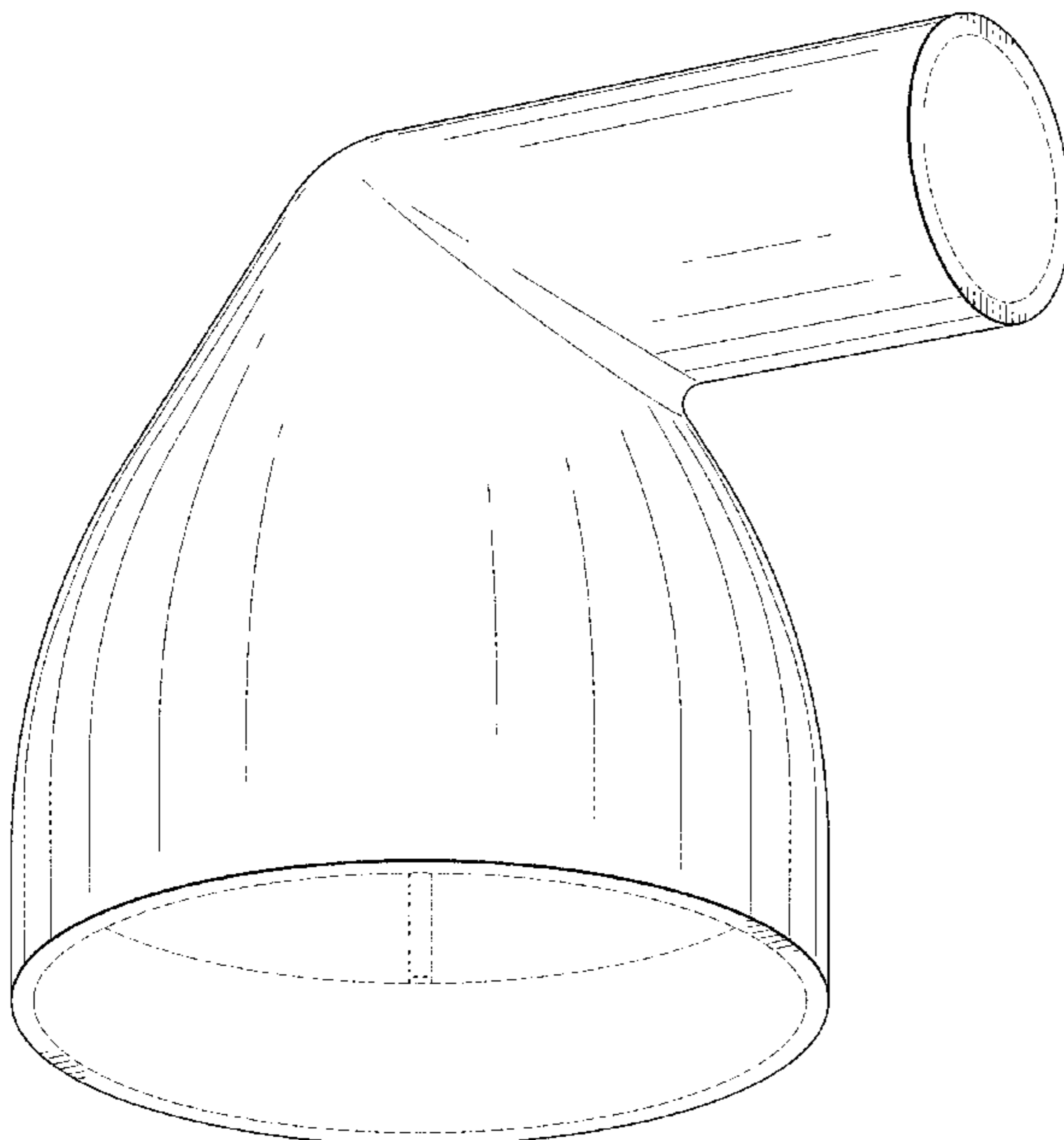
FIG. 5 is a left side elevation view of the vacuum attachment of FIG. 1;

FIG. 6 is a top plan view of the vacuum attachment of FIG. 1; and,

FIG. 7 bottom plan view of the box of vacuum attachment of FIG. 1.

The details shown in broken lines form no part of the claimed design.

**1 Claim, 7 Drawing Sheets**



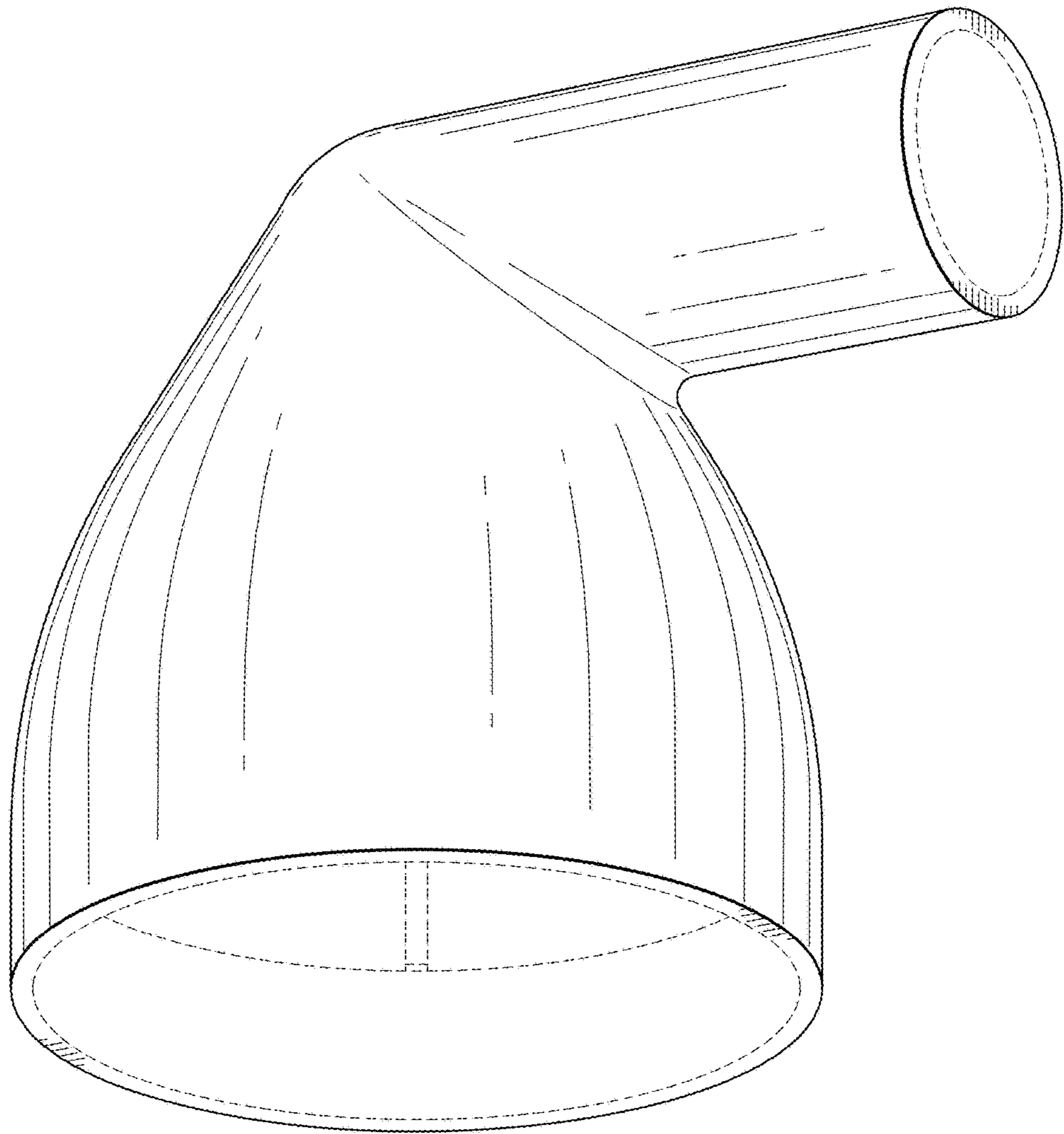


FIG. 1

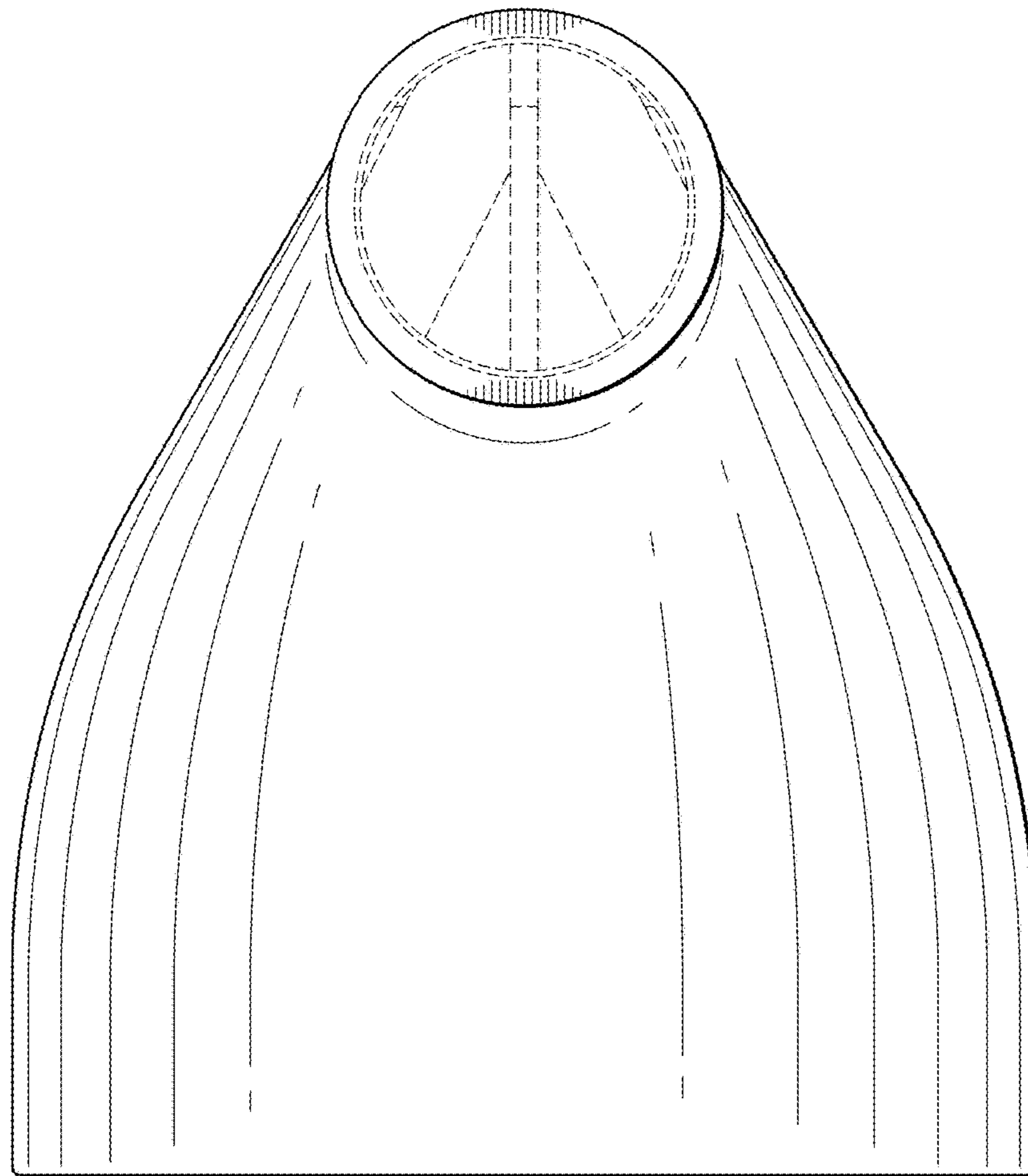


FIG. 2

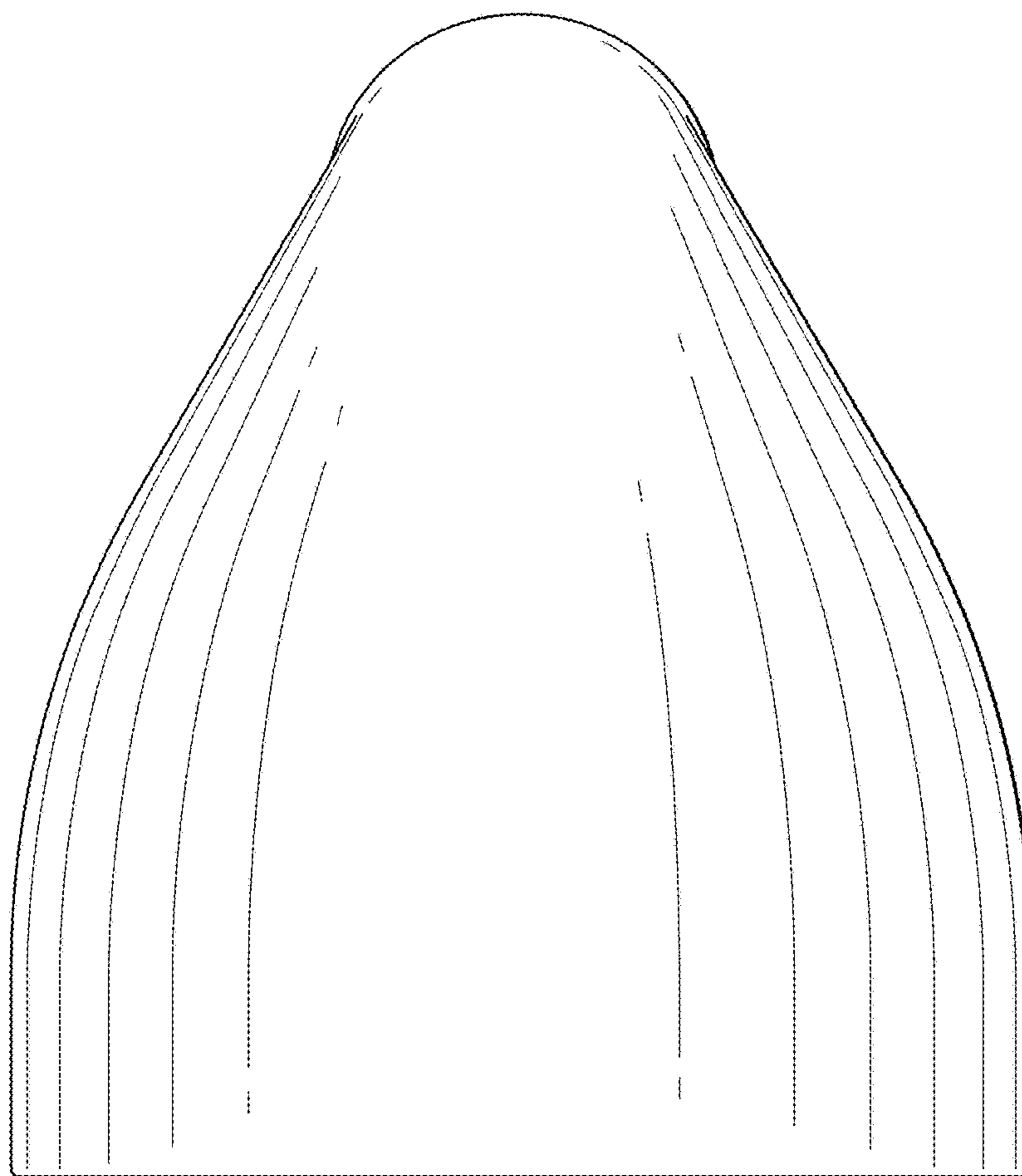


FIG. 3

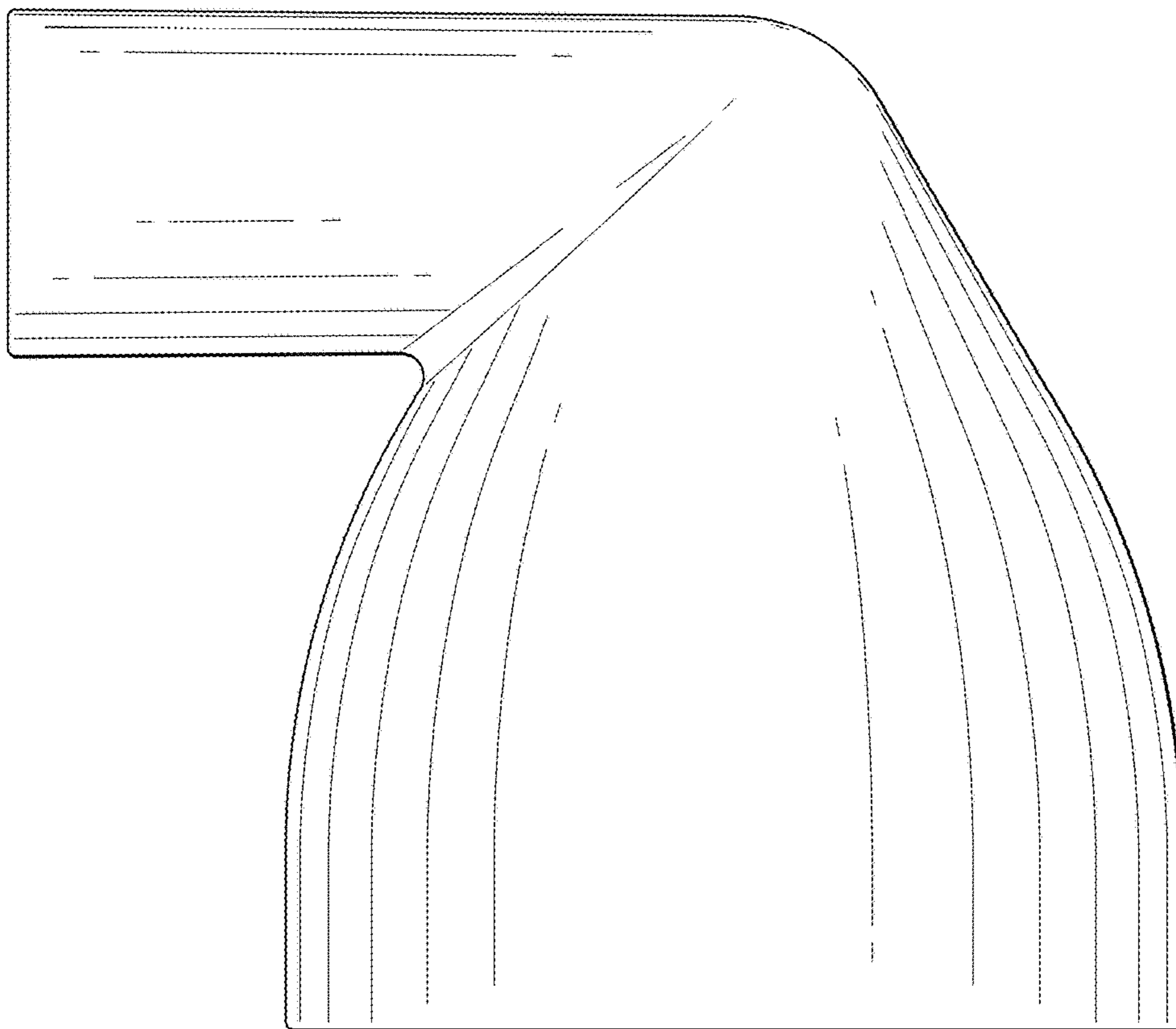


FIG. 4

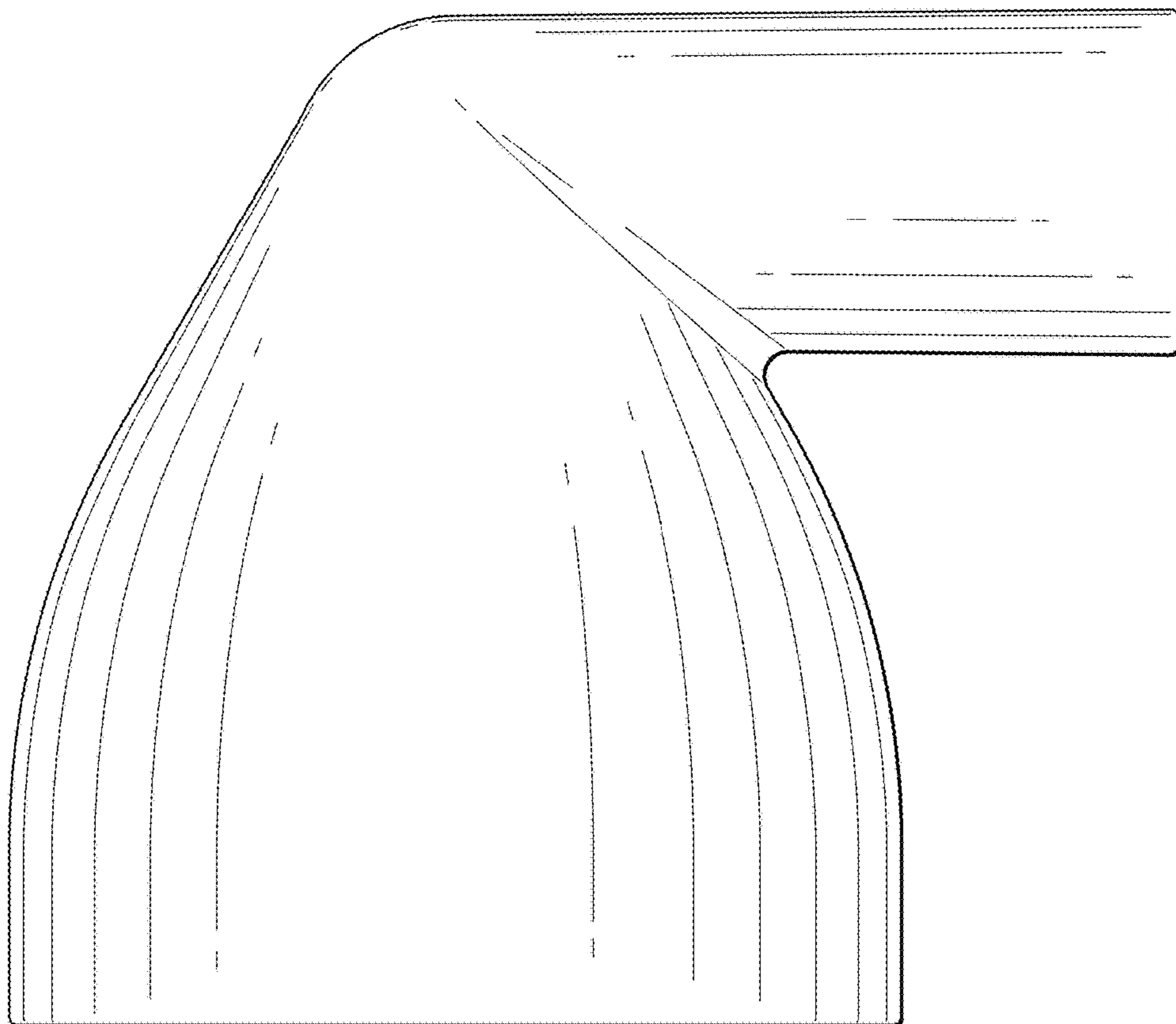


FIG. 5



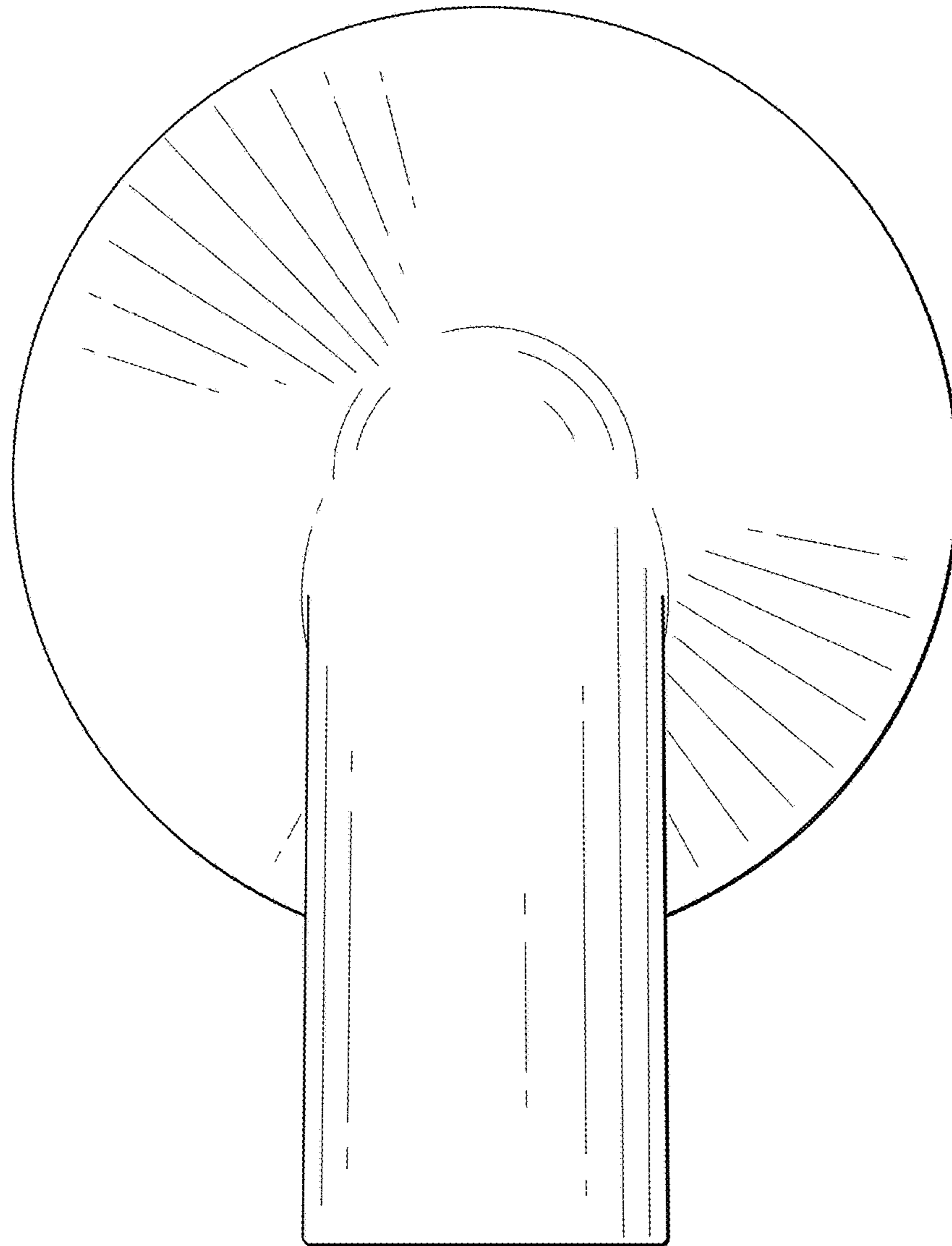


FIG. 6

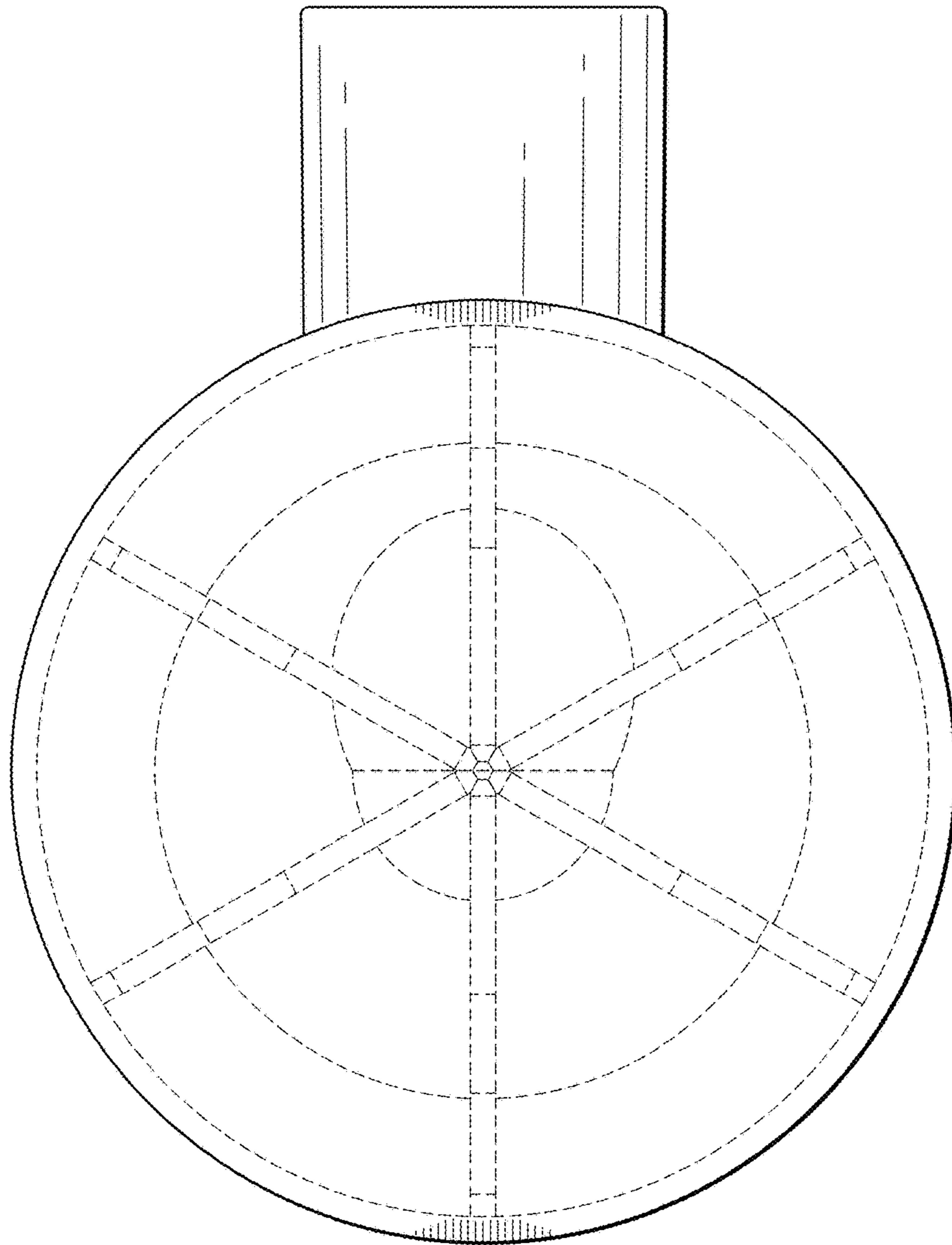


FIG. 7