



US00D830022S

(12) **United States Design Patent**
Ha et al.

(10) **Patent No.:** **US D830,022 S**
(45) **Date of Patent:** **** Oct. 2, 2018**

(54) **DETERGENT INLET FOR WASHING MACHINE**

(71) Applicant: **LG ELECTRONICS INC.**, Seoul (KR)

(72) Inventors: **Youngsoo Ha**, Seoul (KR); **Eunyoung Chee**, Seoul (KR); **Jaecil Bae**, Seoul (KR)

(73) Assignee: **LG ELECTRONICS INC.**, Seoul (KR)

(**) Term: **15 Years**

(21) Appl. No.: **35/503,308**

(22) Filed: **Jan. 2, 2017**

(80) **Hague Agreement Data**

Int. Filing Date: **Jan. 2, 2017**

Int. Reg. No.: **DM/094279**

Int. Reg. Date: **Jan. 2, 2017**

Int. Reg. Pub. Date: **Jul. 7, 2017**

(30) **Foreign Application Priority Data**

Jul. 6, 2016 (KR) 30-2016-0032987

(51) **LOC (11) Cl.** **15-05**

(52) **U.S. Cl.**
USPC **D32/29.1**

(58) **Field of Classification Search**

USPC D32/25, 29.1

CPC D06F 39/02

See application file for complete search history.

(56) **References Cited**

U.S. PATENT DOCUMENTS

D155,077 S * 9/1949 Davis D19/22

D303,993 S * 10/1989 Szablak D19/75

D331,257 S * 11/1992 Breen D19/20

D458,780 S * 6/2002 Siepmann D6/705.5
D526,358 S * 8/2006 Killinger D19/92
D562,039 S * 2/2008 Browne D32/25
D568,643 S * 5/2008 Browne D32/25
D568,644 S * 5/2008 Browne D32/25
D569,139 S * 5/2008 Browne D32/25
D569,140 S * 5/2008 Browne D32/25
D632,034 S * 2/2011 Ha D32/25
D656,694 S * 3/2012 Kim D32/25
D663,498 S * 7/2012 Jeon, II D32/29.1
D732,777 S * 6/2015 Ha D32/28
D754,407 S * 4/2016 Chung D32/25
D755,458 S * 5/2016 Jeon D32/25
D759,915 S * 6/2016 Choi D32/25
D764,729 S * 8/2016 Choi D32/25
D765,323 S * 8/2016 Choi D32/29.1

(Continued)

Primary Examiner — Robert M. Spear

(74) *Attorney, Agent, or Firm* — Birch, Stewart, Kolasch & Birch, LLP

(57) **CLAIM**

The ornamental design for a detergent inlet for washing machine, as shown and described.

DESCRIPTION

1.0 Detergent inlet for washing machine.

1.1 —Top left elevational view;

1.2 —Front elevational view;

1.3 —Rear elevational view;

1.4 —Left side elevational view;

1.5 —Right side elevational view;

1.6 —Top plan view;

1.7 —Bottom plan view;

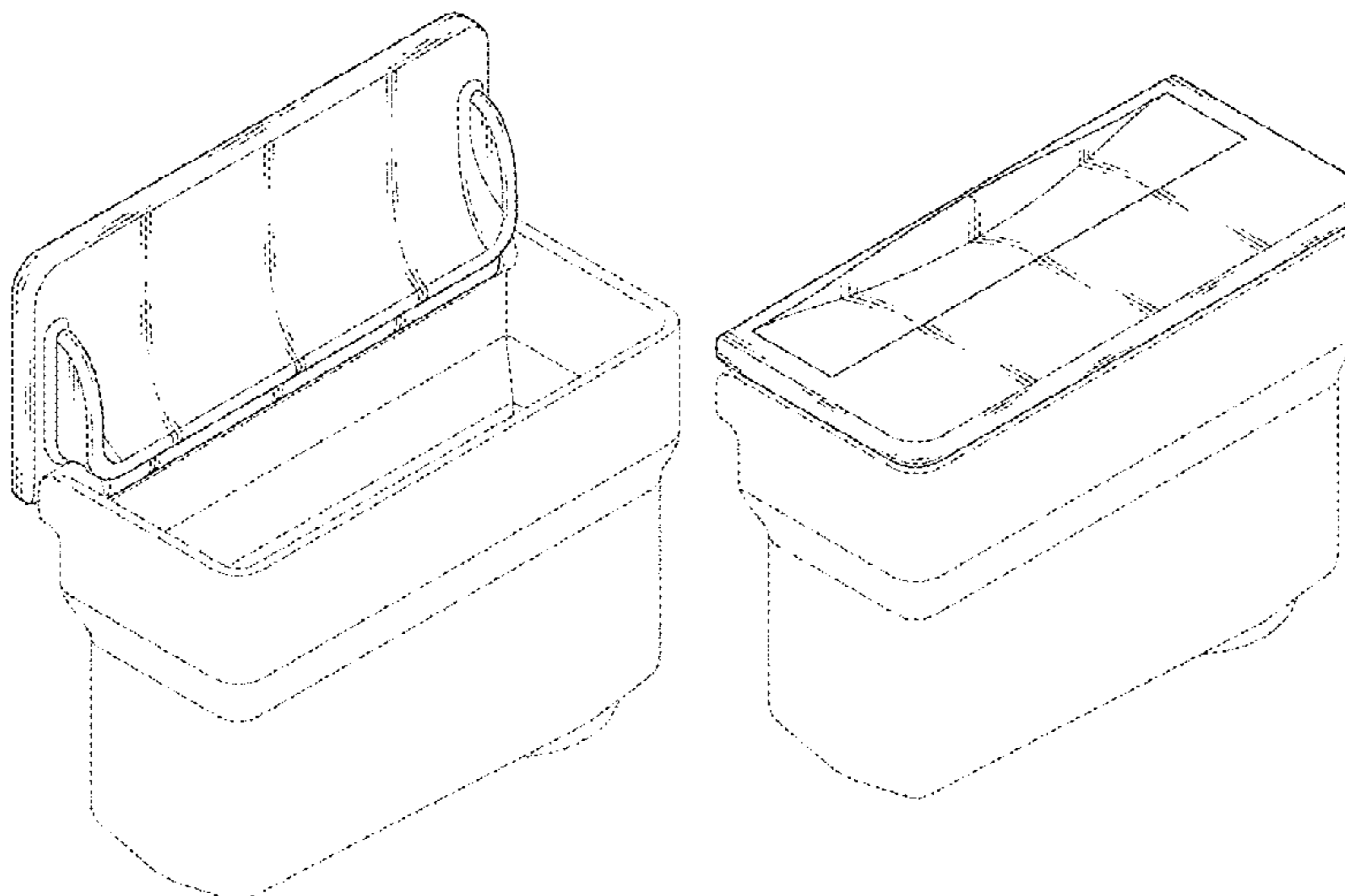
1.8 —Cross sectional detail view;

1.9 —Top left elevational view of the article in a closed condition; and

1.10 —Top left elevational view shown in use on a washing machine.

The broken line showing of a washing machine and detergent dispenser depicts environment and forms no part of the claim.

1 Claim, 10 Drawing Sheets



(56)

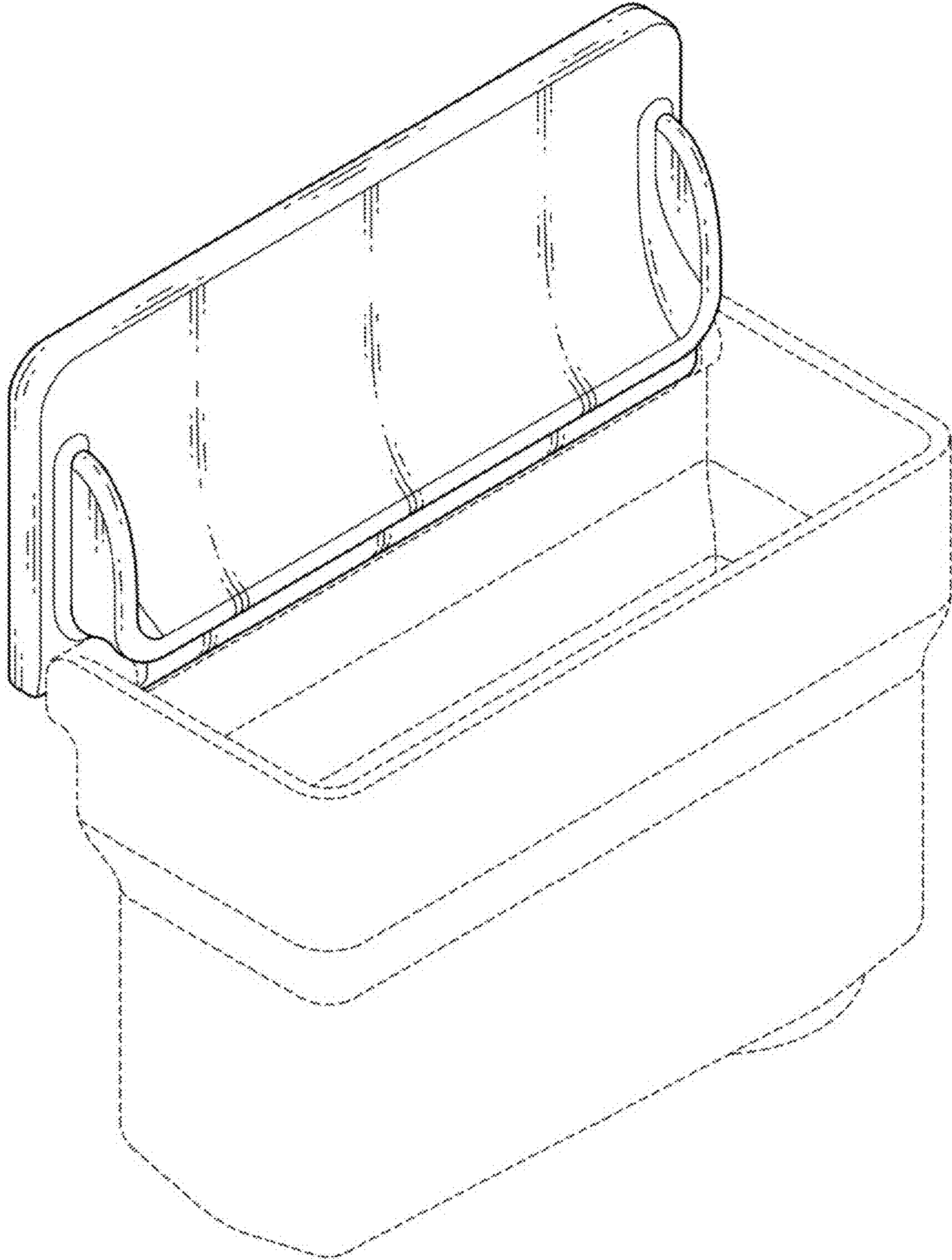
References Cited

U.S. PATENT DOCUMENTS

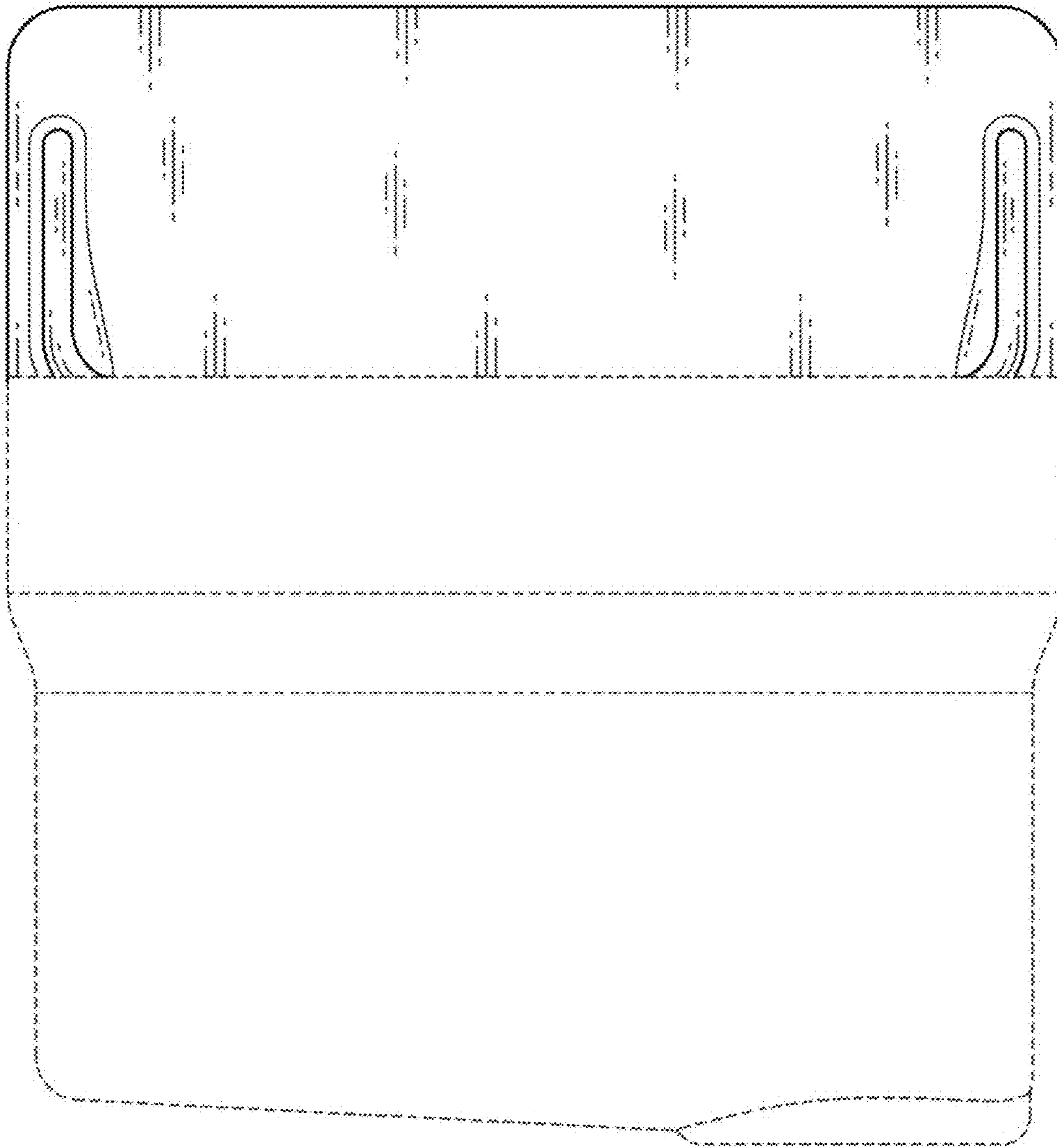
D816,282 S * 4/2018 Kendall D32/6
2007/0051864 A1* 3/2007 Bartell A47G 23/0303
248/346.01
2007/0271967 A1* 11/2007 Lee D06F 35/006
68/17 R

* cited by examiner

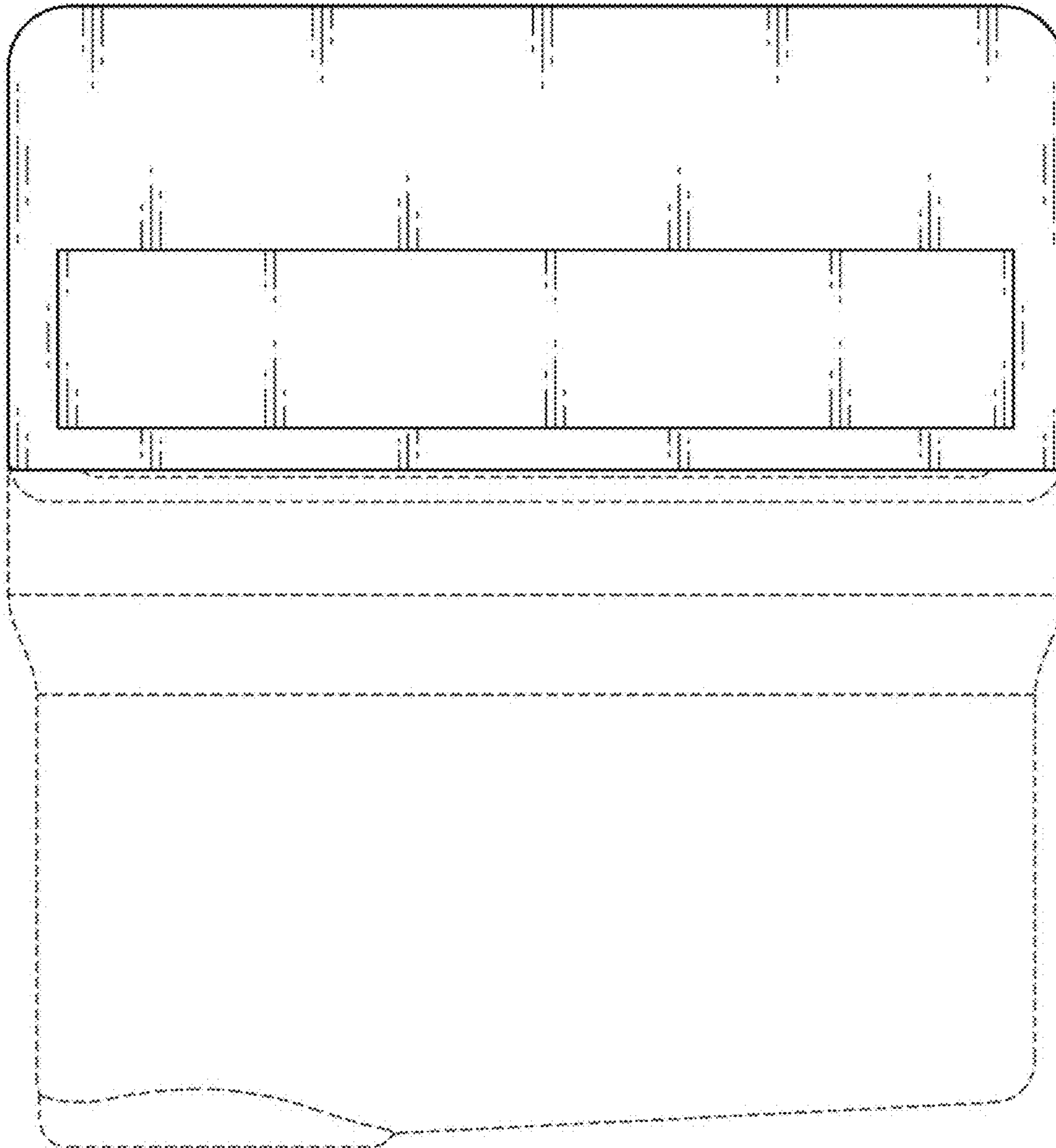
1.1



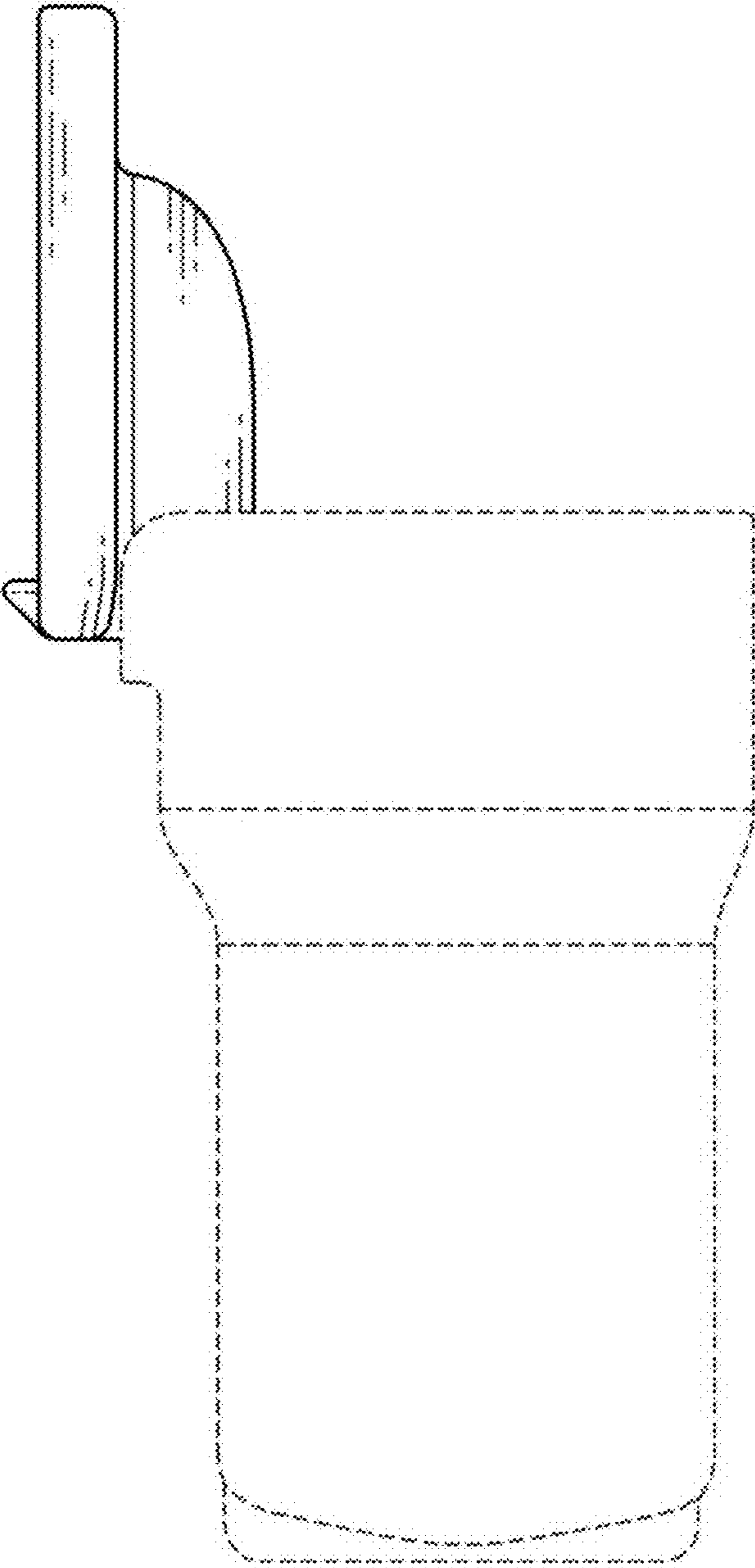
1.2



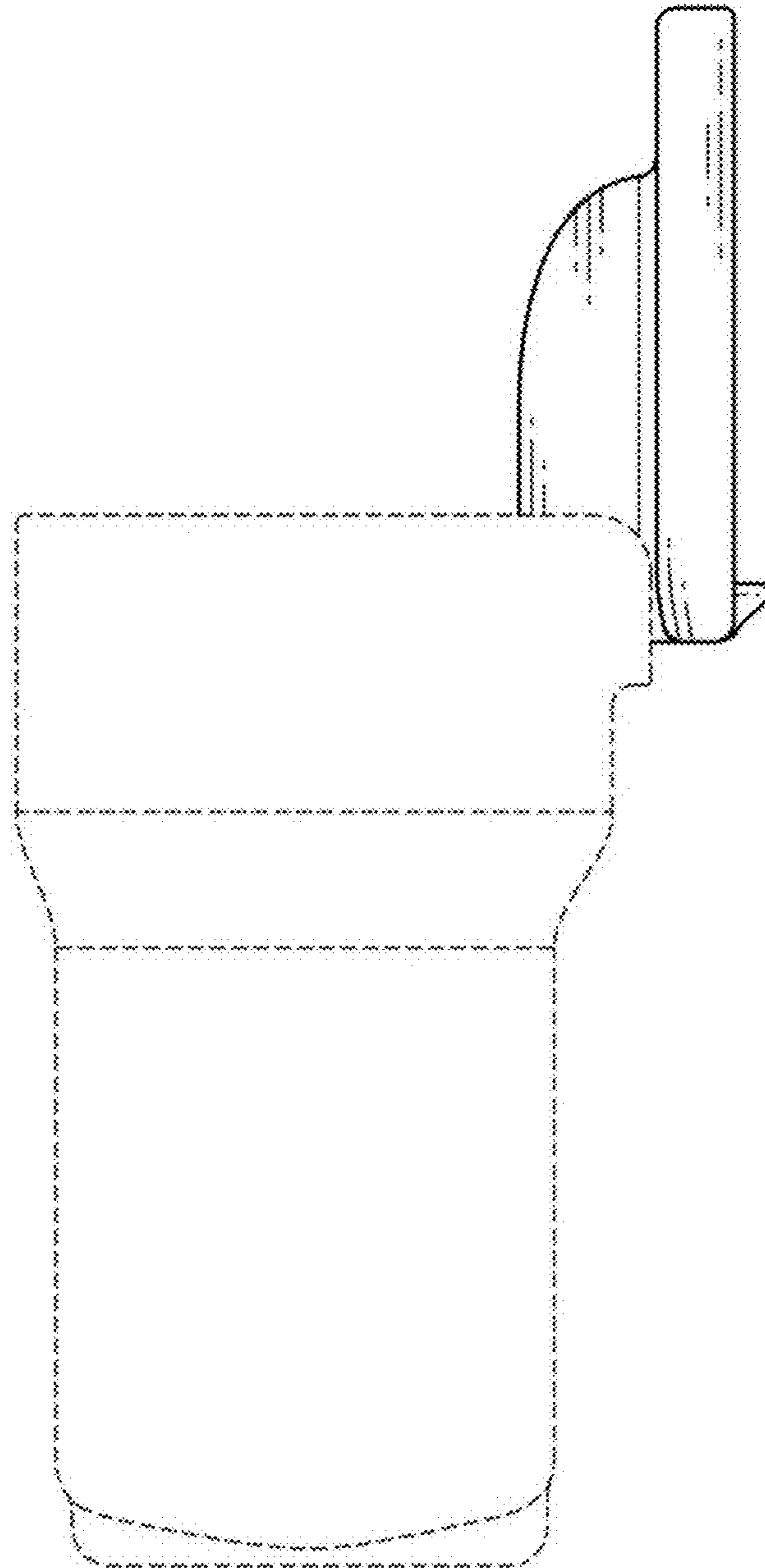
1.3



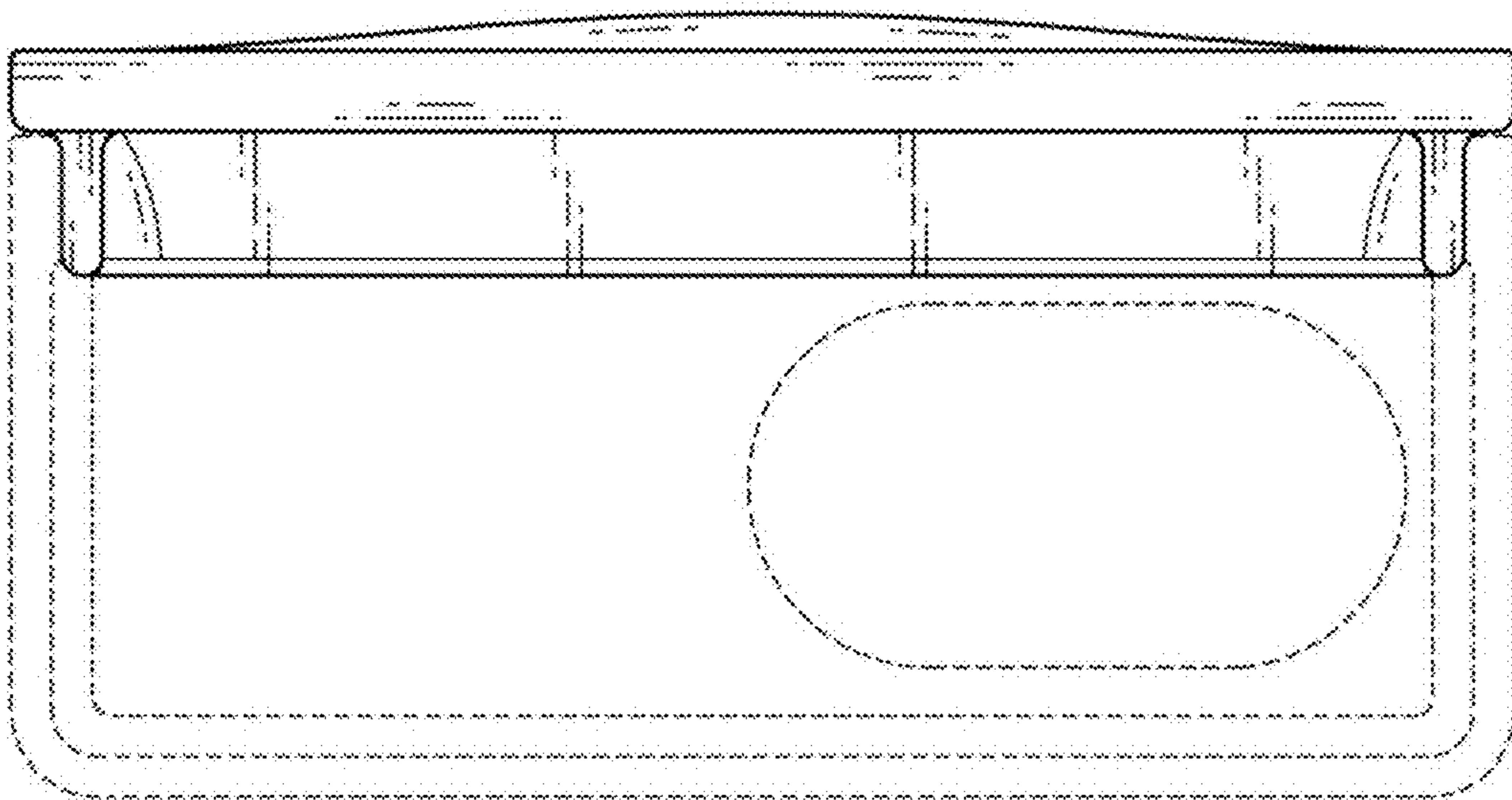
1.4



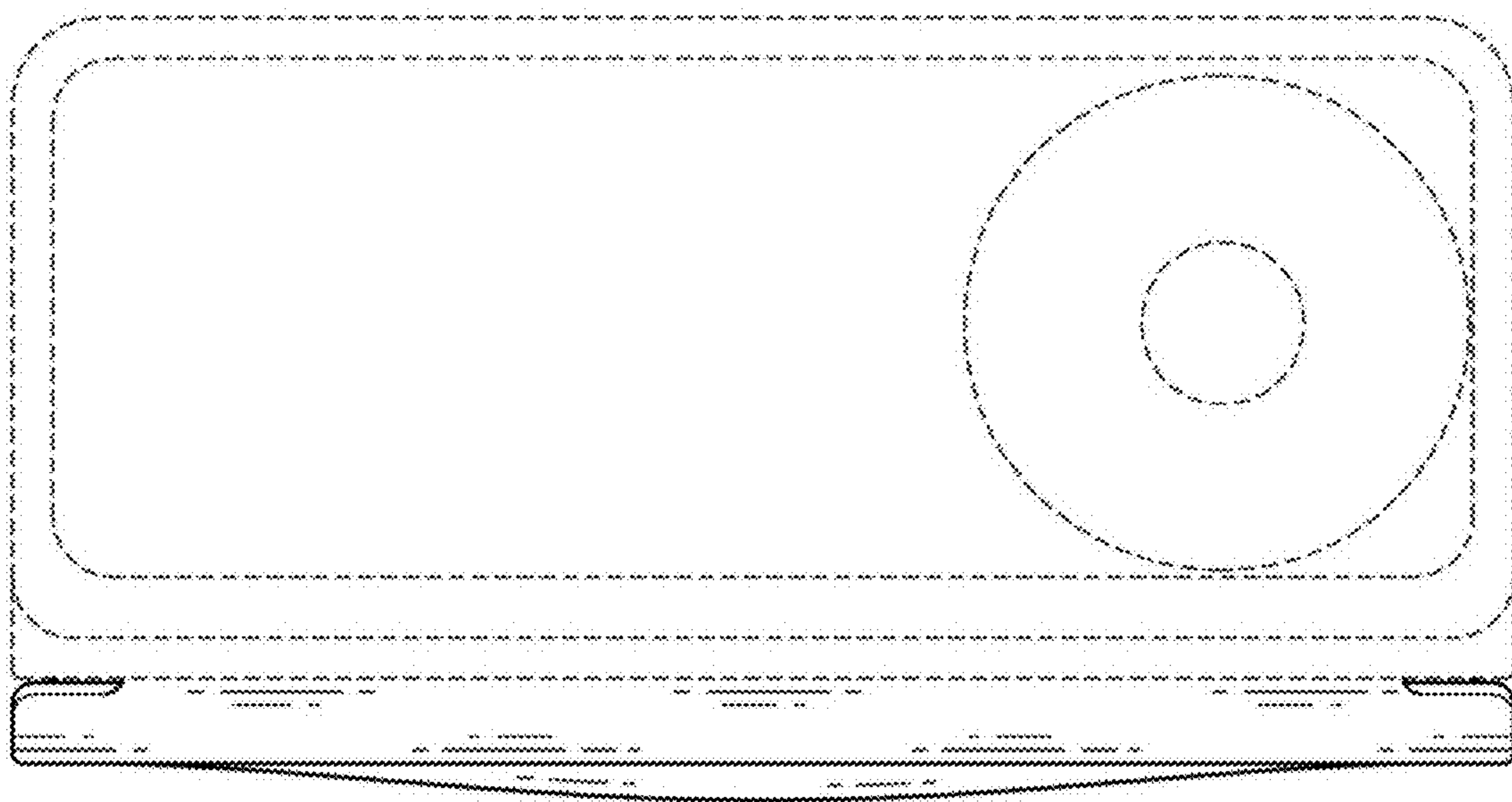
1.5



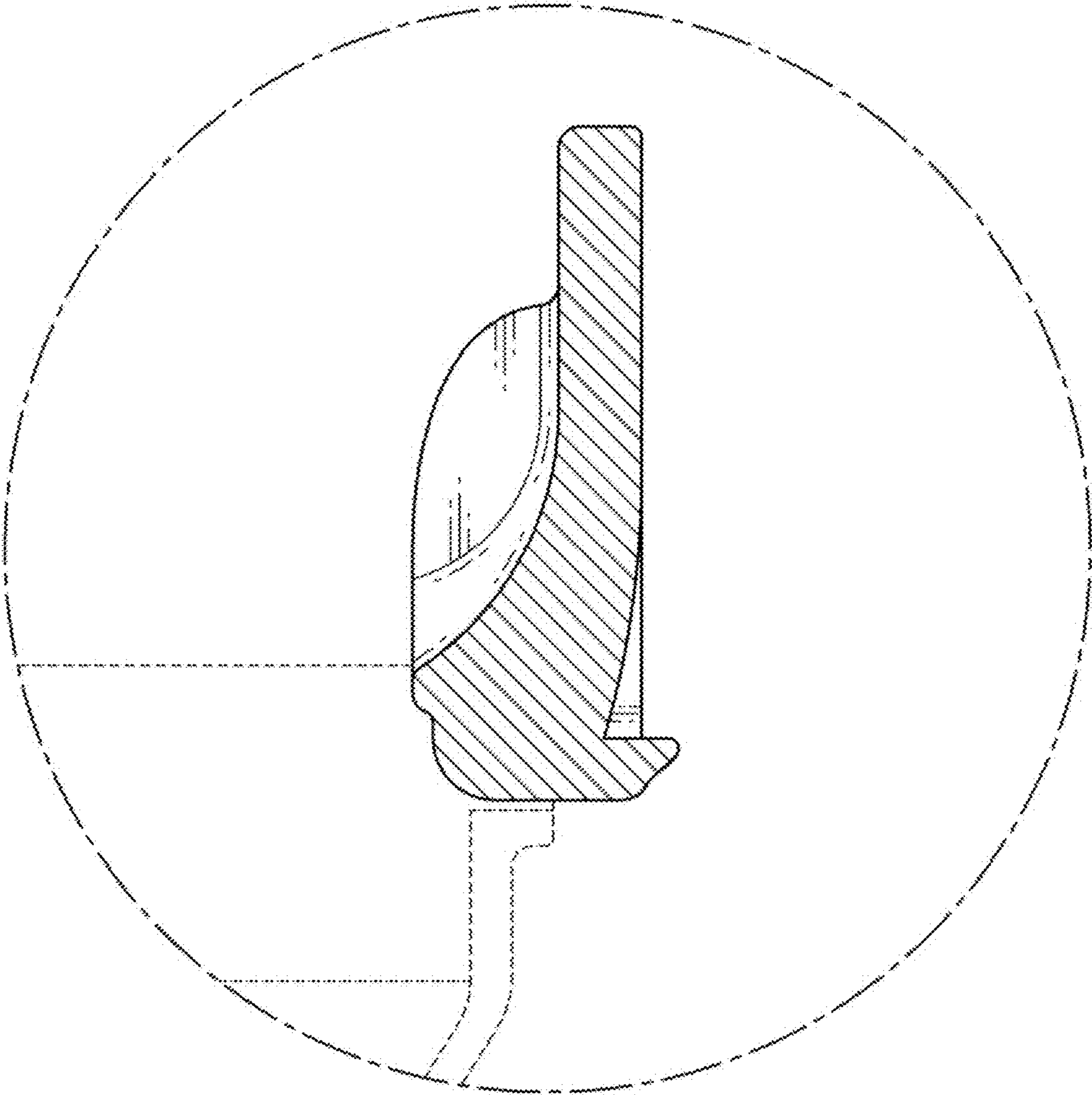
1.6



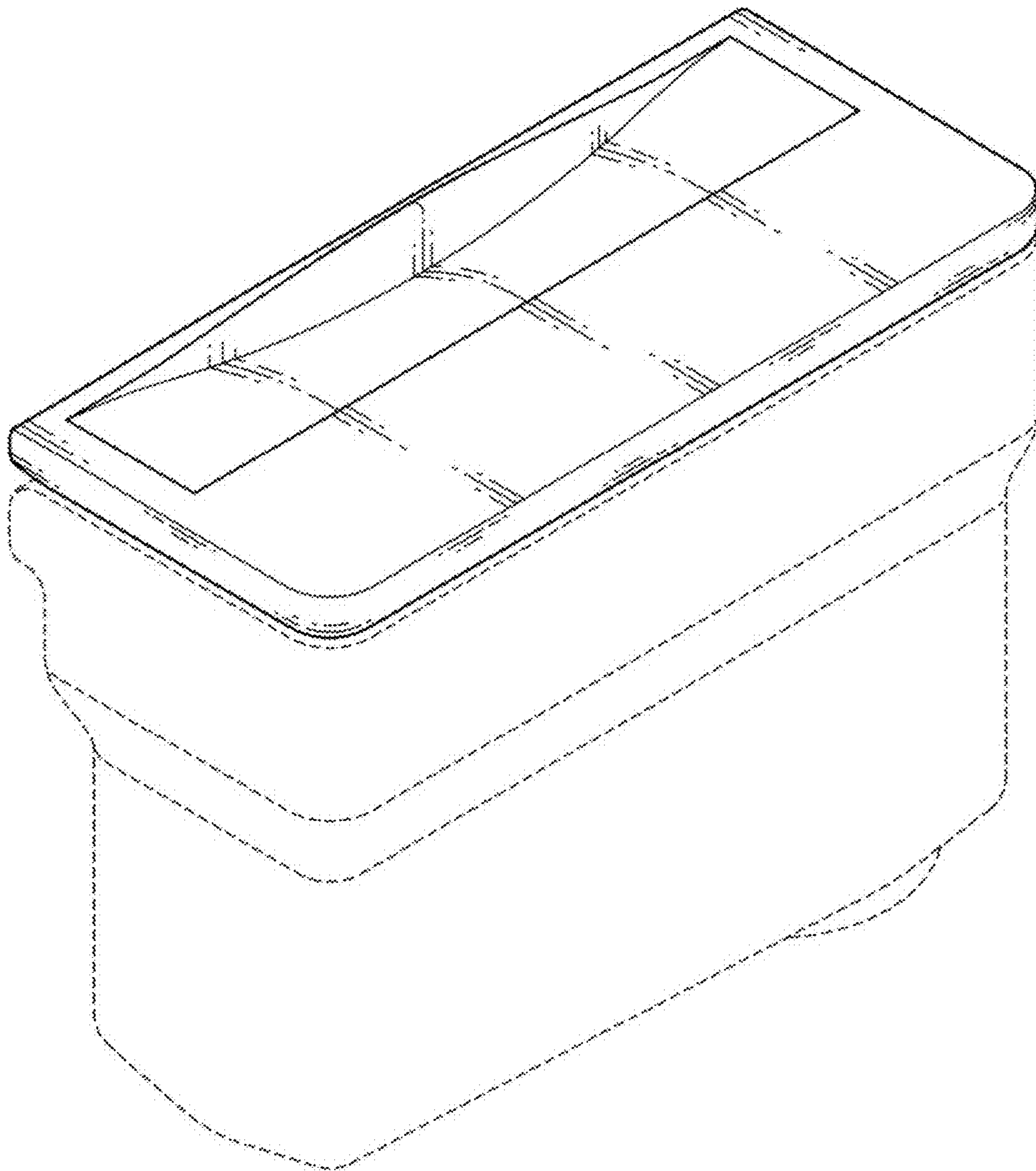
1.7



1.8



1.9



1.10

