



US00D830021S

(12) **United States Design Patent**
Joo et al.

(10) **Patent No.:** **US D830,021 S**
(45) **Date of Patent:** **** Oct. 2, 2018**

(54) **DETERGENT CONTAINER FOR WASHING MACHINE**

(71) Applicant: **Samsung Electronics Co., Ltd.**,
Suwon-si (KR)

(72) Inventors: **Ahjung Joo**, Seoul (KR); **Jiyeun Yoon**,
Seoul (KR); **Jungeun Park**, Seoul
(KR); **Sung-kyung Lee**, Seoul (KR)

(73) Assignee: **Samsung Electronics Co., Ltd.**,
Suwon-si (KR)

(**) Term: **15 Years**

(21) Appl. No.: **29/613,279**

(22) Filed: **Aug. 9, 2017**

(30) **Foreign Application Priority Data**

Feb. 9, 2017 (KR) 30-2017-0006205

(51) **LOC (11) Cl.** **15-05**

(52) **U.S. Cl.**
USPC **D32/29.1**

(58) **Field of Classification Search**
USPC D32/1, 5-6, 8, 25, 28, 29.1
CPC D06F 33/02; D06F 39/02; D06F 2204/065;
D06F 25/00; D06F 35/006
See application file for complete search history.

(56) **References Cited**

U.S. PATENT DOCUMENTS

- 2,679,850 A * 6/1954 Kamp A47L 15/4409
134/93
- 2,812,881 A * 11/1957 Karig A47L 15/4409
134/93
- 2,969,072 A * 1/1961 Barritt A47L 15/4409
134/165
- 4,444,730 A * 4/1984 Renders D06F 39/02
134/93

- 4,530,370 A * 7/1985 Horky A01J 7/022
134/57 R
- 4,774,014 A * 9/1988 Kuenzel C11D 17/041
206/524.5
- D306,224 S * 2/1990 Nystuen D32/3
(Continued)

FOREIGN PATENT DOCUMENTS

- CN 2015304392905 4/2016
- CN 2015305105043 6/2016
(Continued)

Primary Examiner — Michelle E. Wilson
(74) *Attorney, Agent, or Firm* — NSIP Law

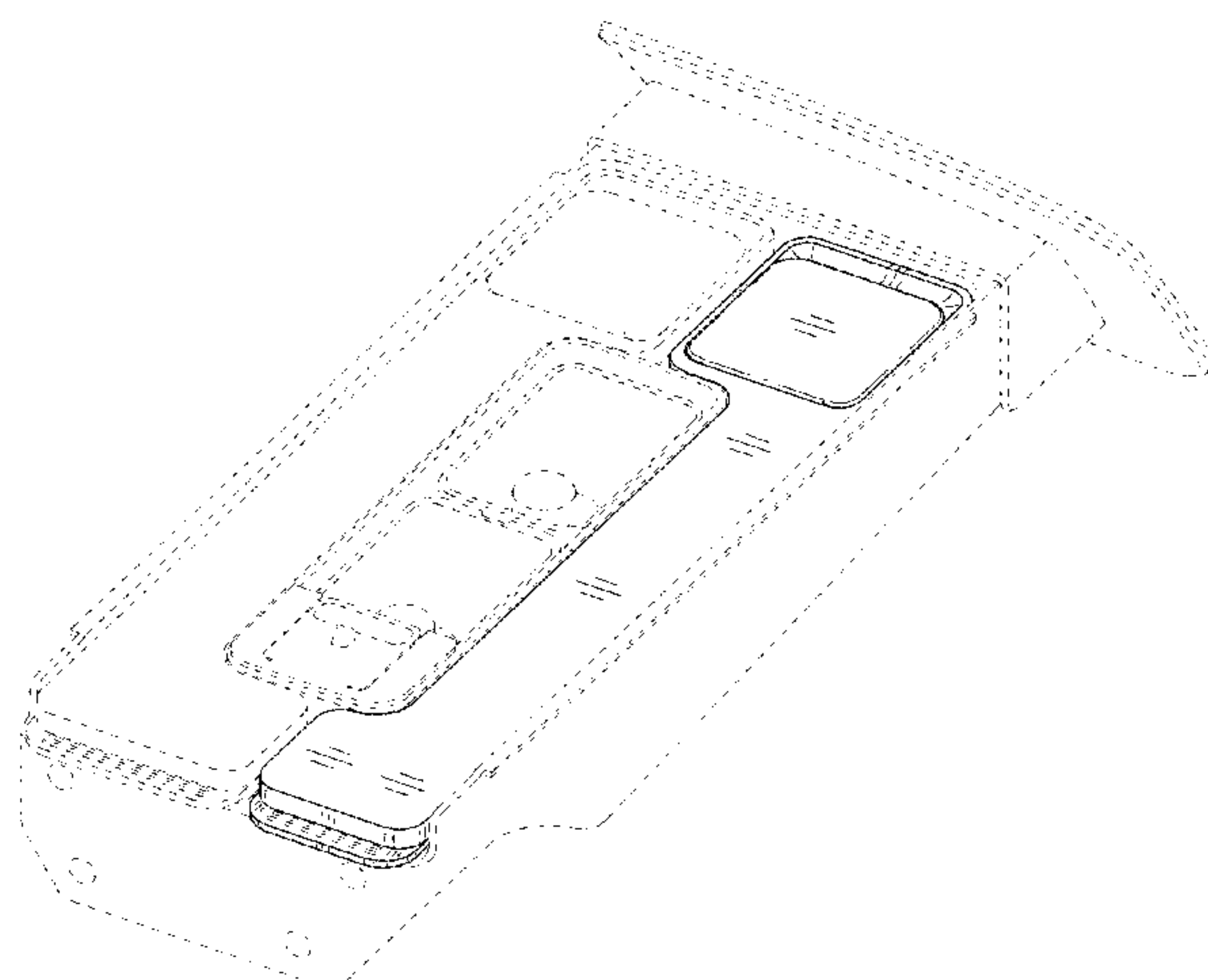
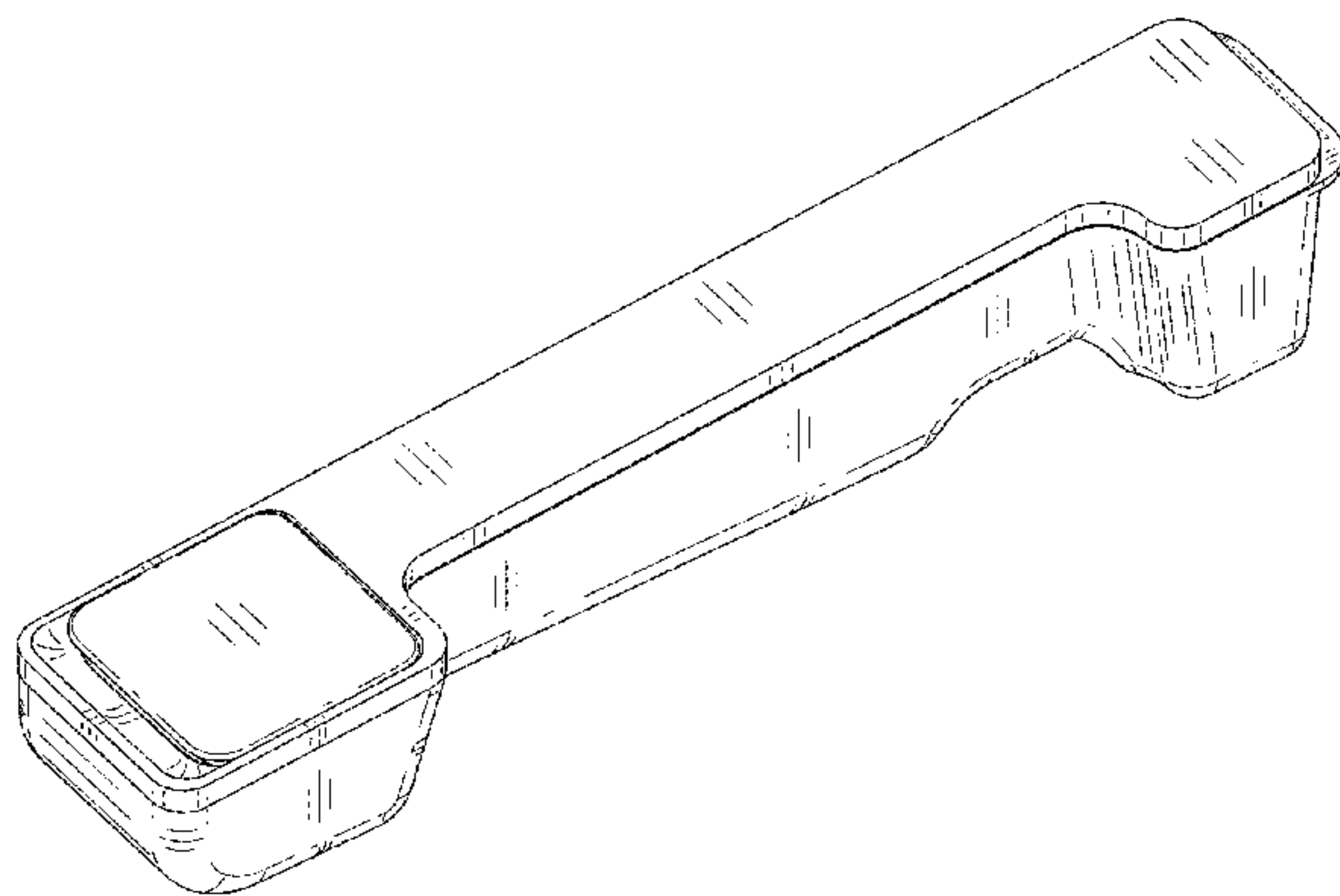
(57) **CLAIM**

We claim the ornamental design for a detergent container for washing machine, as shown and described.

DESCRIPTION

FIG. 1 is a front perspective view of a detergent container for washing machine showing our new design;
FIG. 2 is a front view thereof;
FIG. 3 is a rear view thereof;
FIG. 4 is a left-side view thereof;
FIG. 5 is a right-side view thereof;
FIG. 6 is a top view thereof;
FIG. 7 is a bottom view thereof;
FIG. 8 is a rear perspective view of the detergent container for washing machine in which a detergent container module for washing machine is provided in broken lines to illustrate an example environment; and,
FIG. 9 is a front perspective view of the detergent container for washing machine in which a washing machine is provided in broken lines to illustrate an example environment. The broken lines in the figures depict environmental subject matter and form no part of the claimed design.

1 Claim, 8 Drawing Sheets



(56)

References Cited

U.S. PATENT DOCUMENTS

4,917,272 A * 4/1990 Ikeda B65D 88/68
 222/231
 D308,738 S * 6/1990 Nystuen D32/3
 D308,739 S * 6/1990 Nystuen D32/3
 D319,781 S * 9/1991 Halm D23/366
 5,063,757 A * 11/1991 Ikeda D06F 39/026
 222/236
 5,271,251 A * 12/1993 Kovich D06F 35/006
 68/171
 5,297,596 A * 3/1994 Anson B67C 11/02
 141/331
 D352,578 S * 11/1994 Mooney D32/3
 5,460,018 A * 10/1995 Werner D06F 23/04
 475/163
 5,507,414 A * 4/1996 Ong A47K 5/1214
 211/65
 D384,451 S * 9/1997 Leu D32/29.1
 D396,903 S * 8/1998 Leu D32/29.1
 D396,904 S * 8/1998 Leu D21/713
 D765,323 S 8/2016 Choi et al.
 2004/0025263 A1 * 2/2004 Kim D06F 35/003
 8/159
 2006/0059958 A1 * 3/2006 Byrne A47L 15/4463
 68/17 R
 2010/0095712 A1 * 4/2010 Kim D06F 39/022
 68/12.18
 2015/0252514 A1 * 9/2015 Seo D06F 39/028
 68/17 R

FOREIGN PATENT DOCUMENTS

CN 2015305146518 6/2016
 KR 30-2008-0028602 2/2009

* cited by examiner

FIG. 1

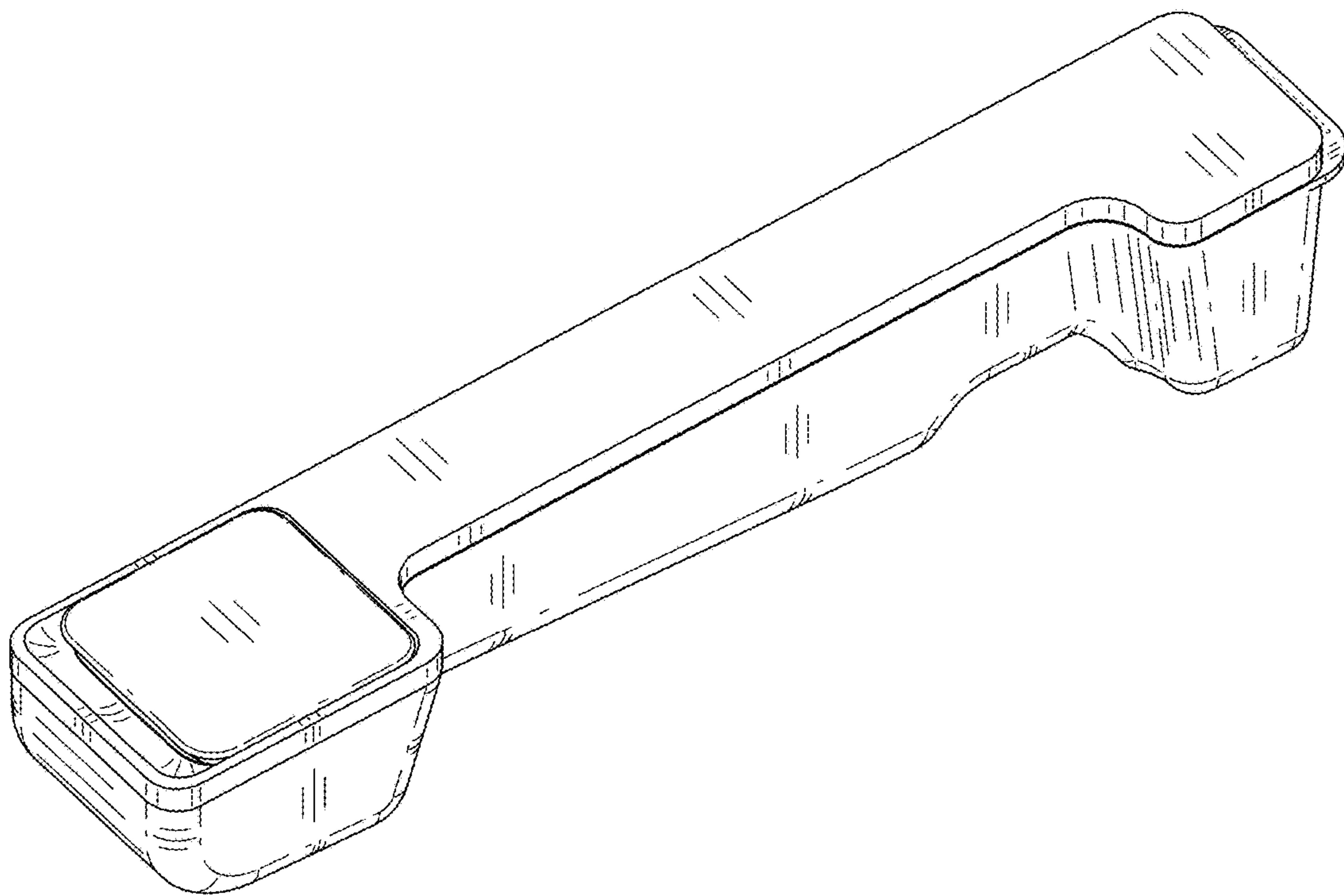


FIG. 2

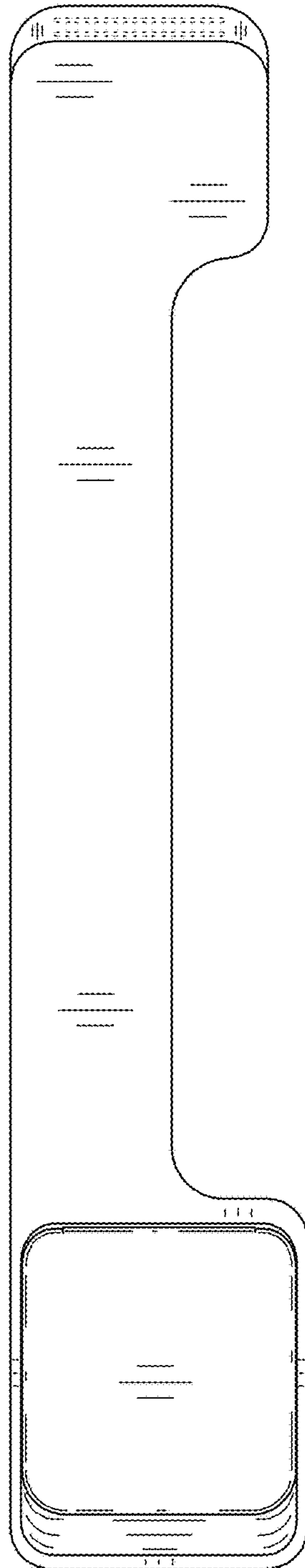


FIG. 3

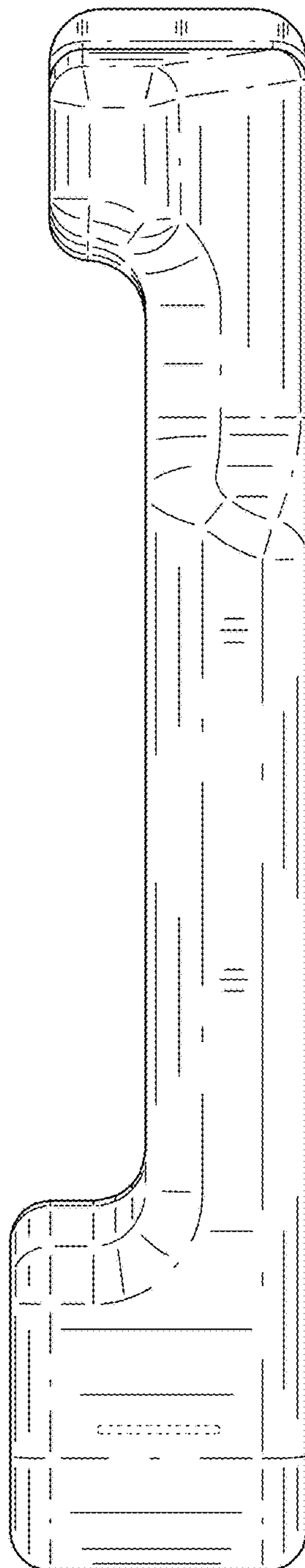


FIG. 4

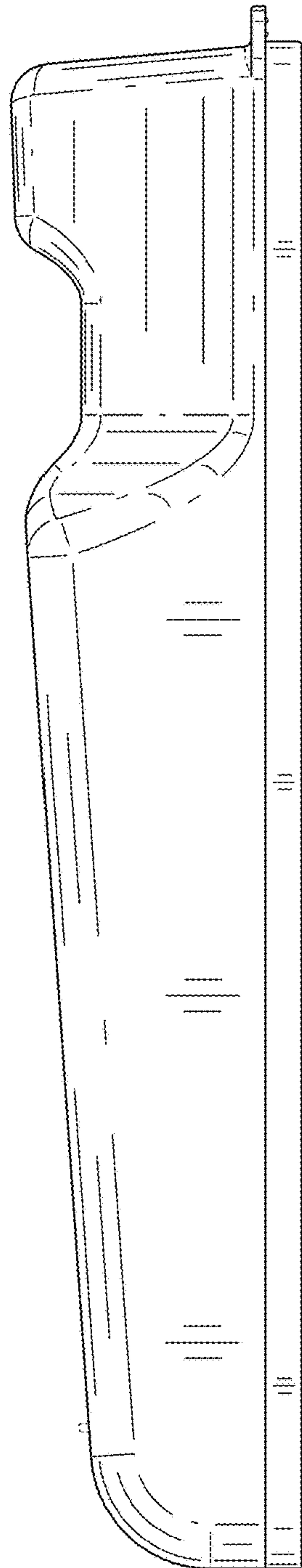


FIG. 5

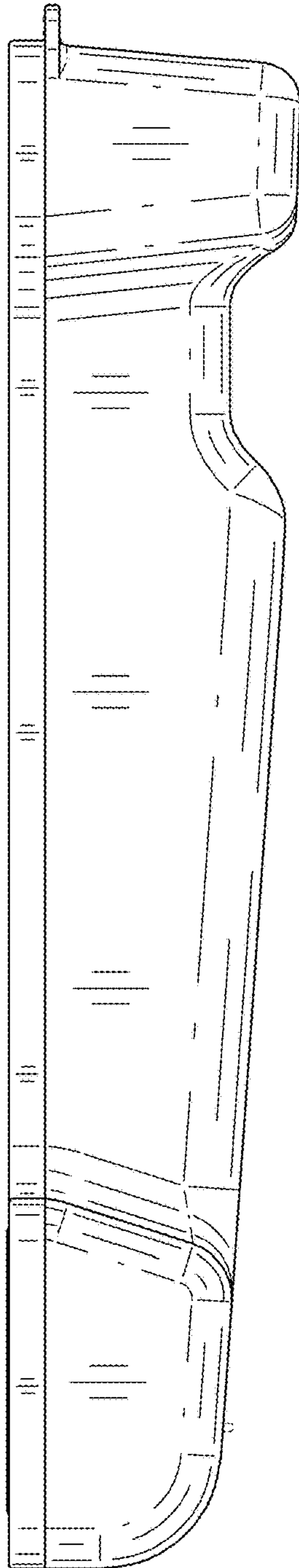


FIG. 6

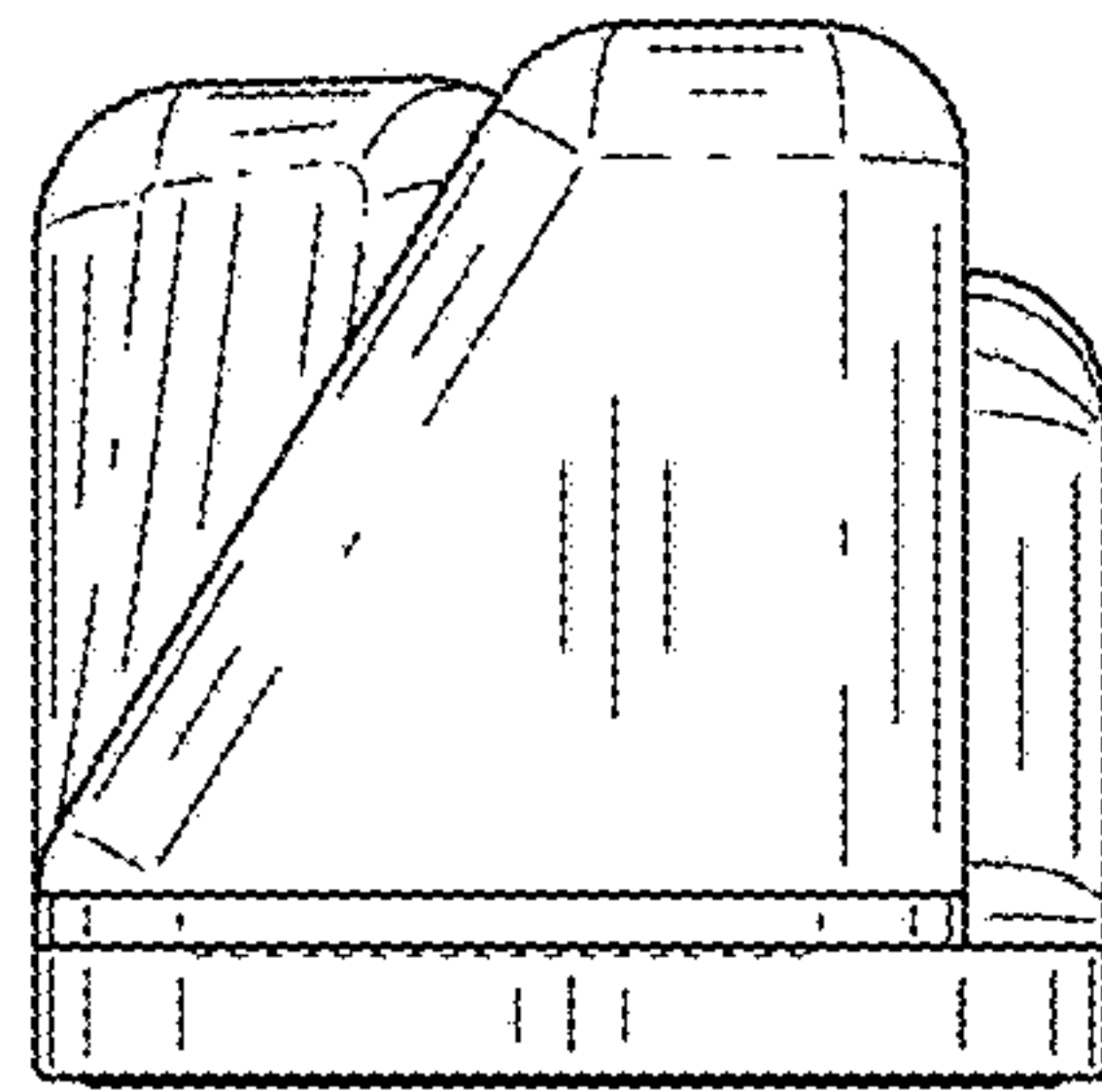


FIG. 7

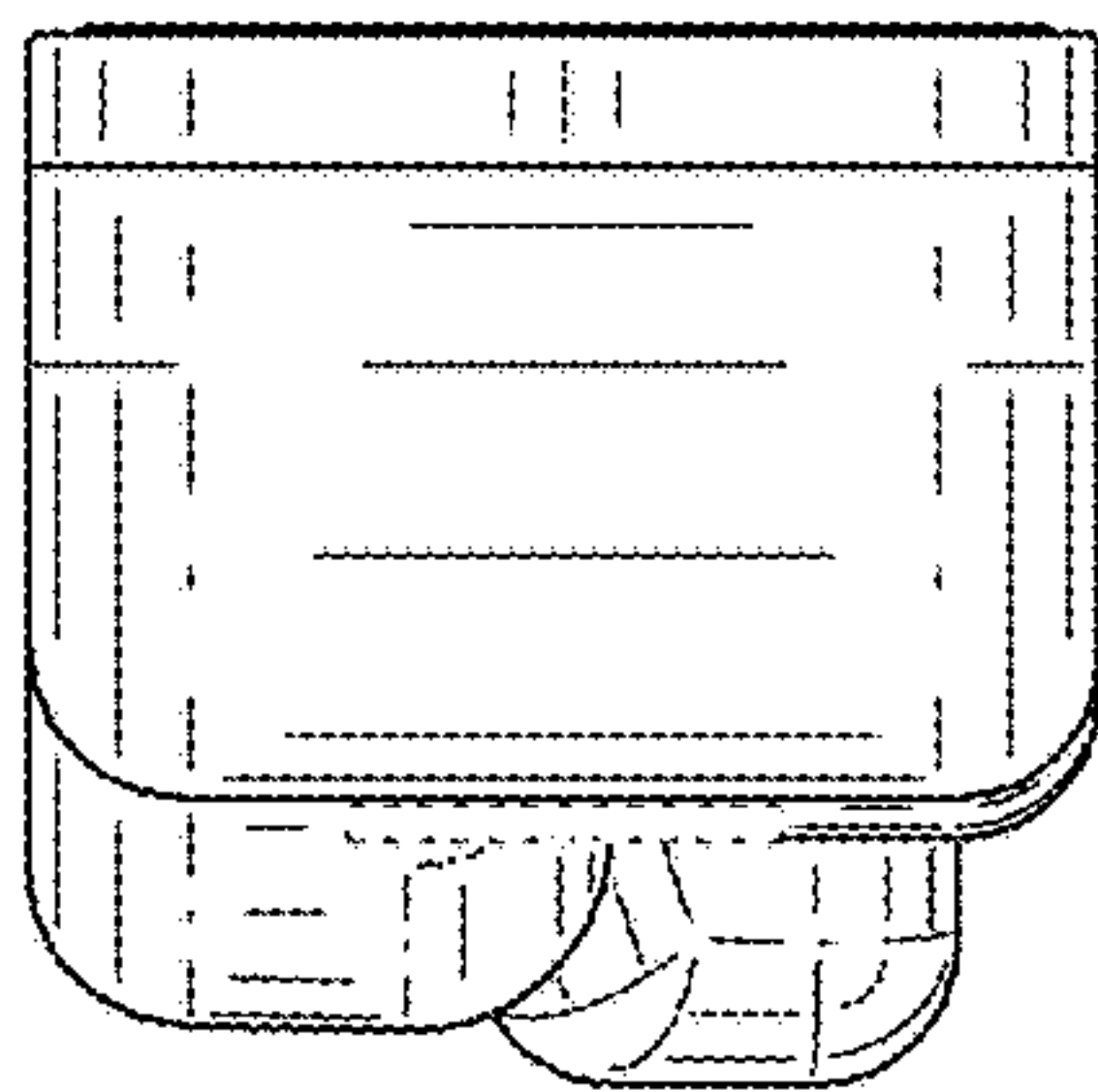


FIG. 8

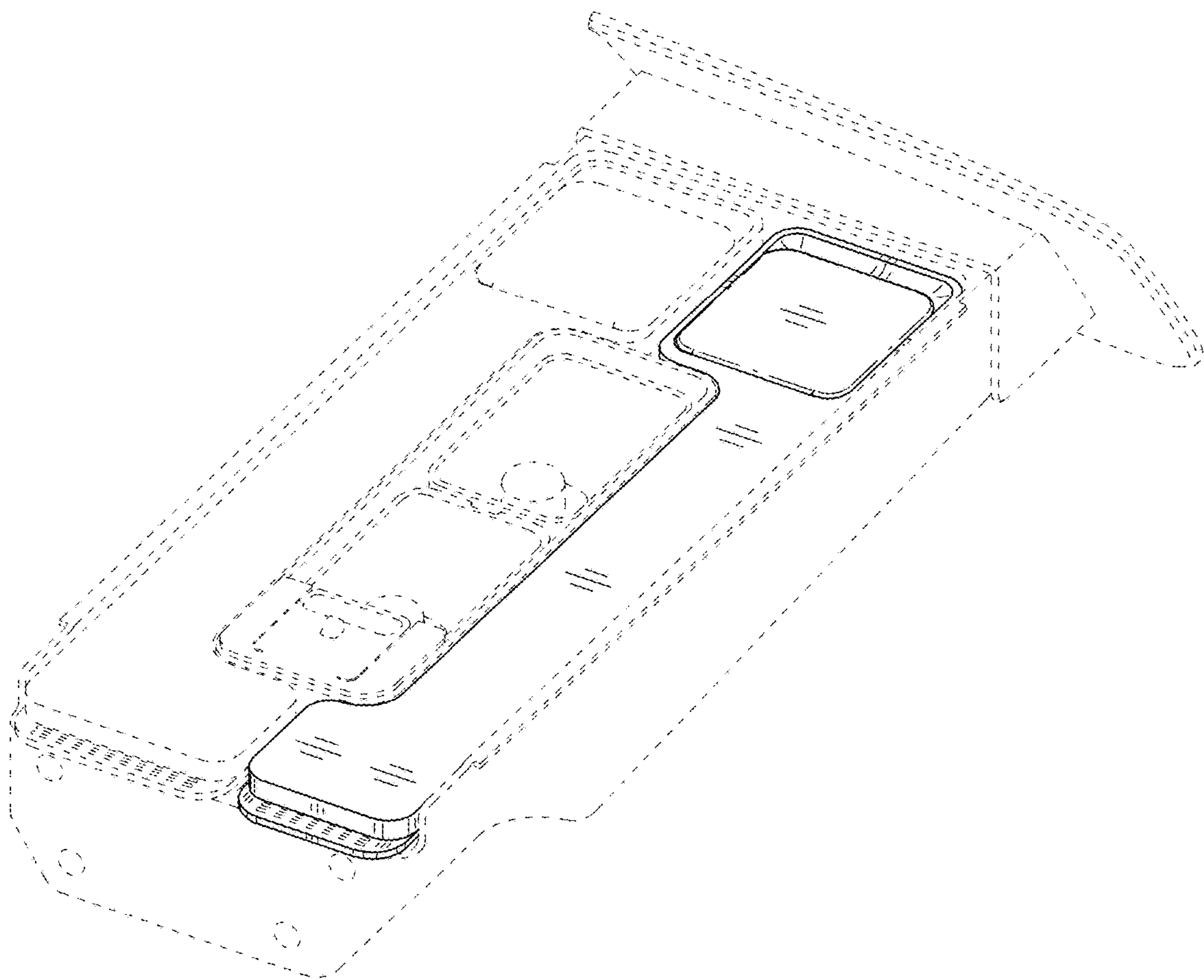


FIG. 9

