



US00D830020S

(12) **United States Design Patent**
Kim et al.

(10) **Patent No.:** **US D830,020 S**

(45) **Date of Patent:** **** Oct. 2, 2018**

(54) **WASHING MACHINE**

(71) Applicant: **Samsung Electronics Co., Ltd.**,
Suwon-si (KR)

(72) Inventors: **Jinnam Kim**, Seoul (KR); **Jungah Choi**, Seoul (KR)

(73) Assignee: **Samsung Electronics Co., Ltd.**,
Suwon-si (KR)

(**) Term: **15 Years**

(21) Appl. No.: **29/615,400**

(22) Filed: **Aug. 29, 2017**

(30) **Foreign Application Priority Data**

May 22, 2017 (KR) 30-2017-0023115

(51) **LOC (11) Cl.** **15-05**

(52) **U.S. Cl.**
USPC **D32/28**

(58) **Field of Classification Search**

USPC D32/1, 28, 6, 25, 29, 29.1, 8; D15/89;
D13/162, 162.1, 164, 177; D7/348, 349,
D7/402, 405, 406

CPC D06F 39/045; D06F 29/00; D06F 29/005;
D06F 33/02; D06F 2204/065; D06F
25/00; D06F 35/006; D06F 37/28; D06F
39/14; D06F 58/203

See application file for complete search history.

(56) **References Cited**

U.S. PATENT DOCUMENTS

D540,499 S * 4/2007 Crookshanks D32/28
D573,762 S * 7/2008 Eicher D32/28
D577,471 S * 9/2008 Park D32/28
D613,010 S * 3/2010 Eicher D32/28
D681,892 S * 5/2013 Meda D32/28
D684,740 S * 6/2013 Geyer D32/28

D693,974 S * 11/2013 Geyer D32/28
D702,407 S * 4/2014 Geyer D32/28
D705,508 S * 5/2014 Calmeise D32/28
D744,179 S * 11/2015 Lee D32/28
D747,575 S * 1/2016 Choi D32/28
D759,916 S * 6/2016 Choi D32/28
D759,917 S * 6/2016 Choi D32/28

(Continued)

FOREIGN PATENT DOCUMENTS

KR 30-2006-0004457 1/2007
KR 30-2006-0020554 3/2007

(Continued)

Primary Examiner — Michelle E Wilson

(74) *Attorney, Agent, or Firm* — NSIP Law

(57) **CLAIM**

We claim the ornamental design for a washing machine, as shown and described.

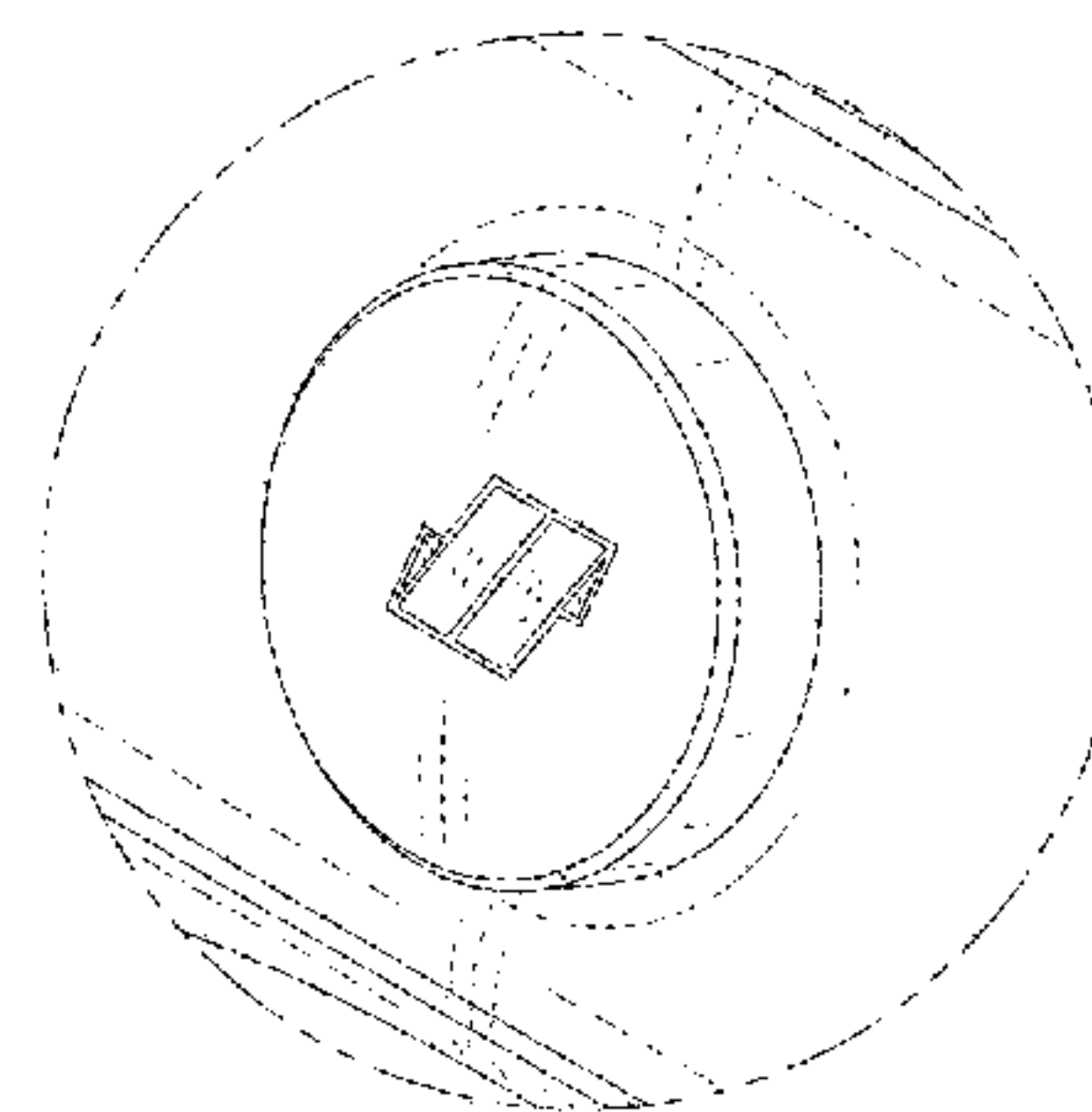
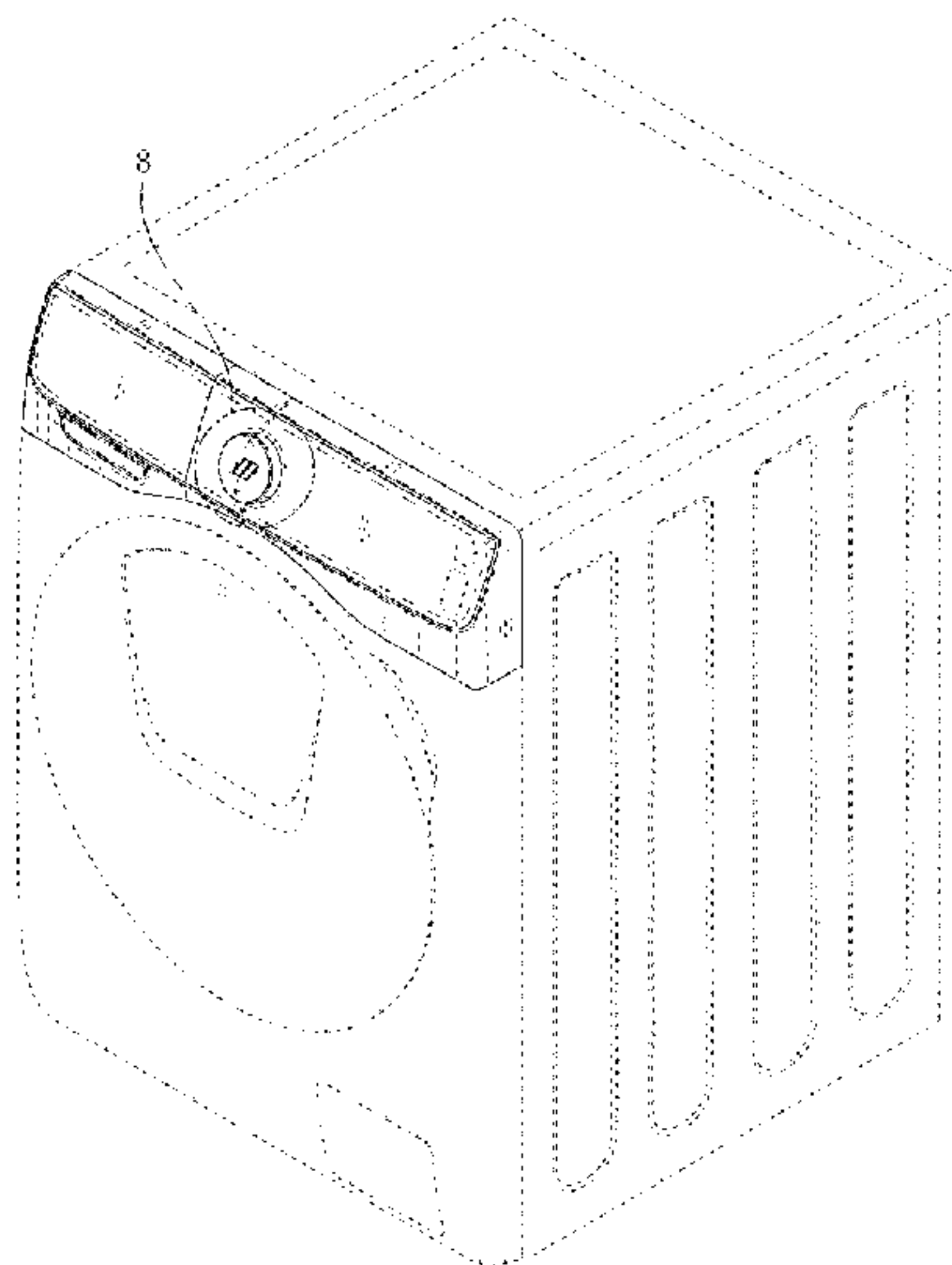
DESCRIPTION

FIG. 1 is a front perspective view of a washing machine showing our new design;
FIG. 2 is a front view thereof;
FIG. 3 is a rear view thereof;
FIG. 4 is a left-side view thereof;
FIG. 5 is a right-side view thereof;
FIG. 6 is a top view thereof;
FIG. 7 is a bottom view thereof; and,
FIG. 8 is an enlarged view of the encircled portion in FIG. 1.

The broken lines in the figures show portions of the washing machine which form no part of the claimed design. The dot-dash broken lines in the figures represent a boundary of the claimed design and form no part thereof.

The dot-dot-dash broken lines encircling portions of the claimed design that are illustrated in enlargements form no part of the claimed design.

1 Claim, 8 Drawing Sheets



(56)

References Cited

U.S. PATENT DOCUMENTS

D760,457 S * 6/2016 Choi D32/28
D760,458 S * 6/2016 Choi D32/28
D771,888 S * 11/2016 Kim D32/28
D794,884 S * 8/2017 Ayers D32/28

FOREIGN PATENT DOCUMENTS

KR 30-2008-0024519 11/2008
KR 30-2013-0006874 1/2014
KR 30-2013-0020381 7/2014

* cited by examiner

FIG. 1

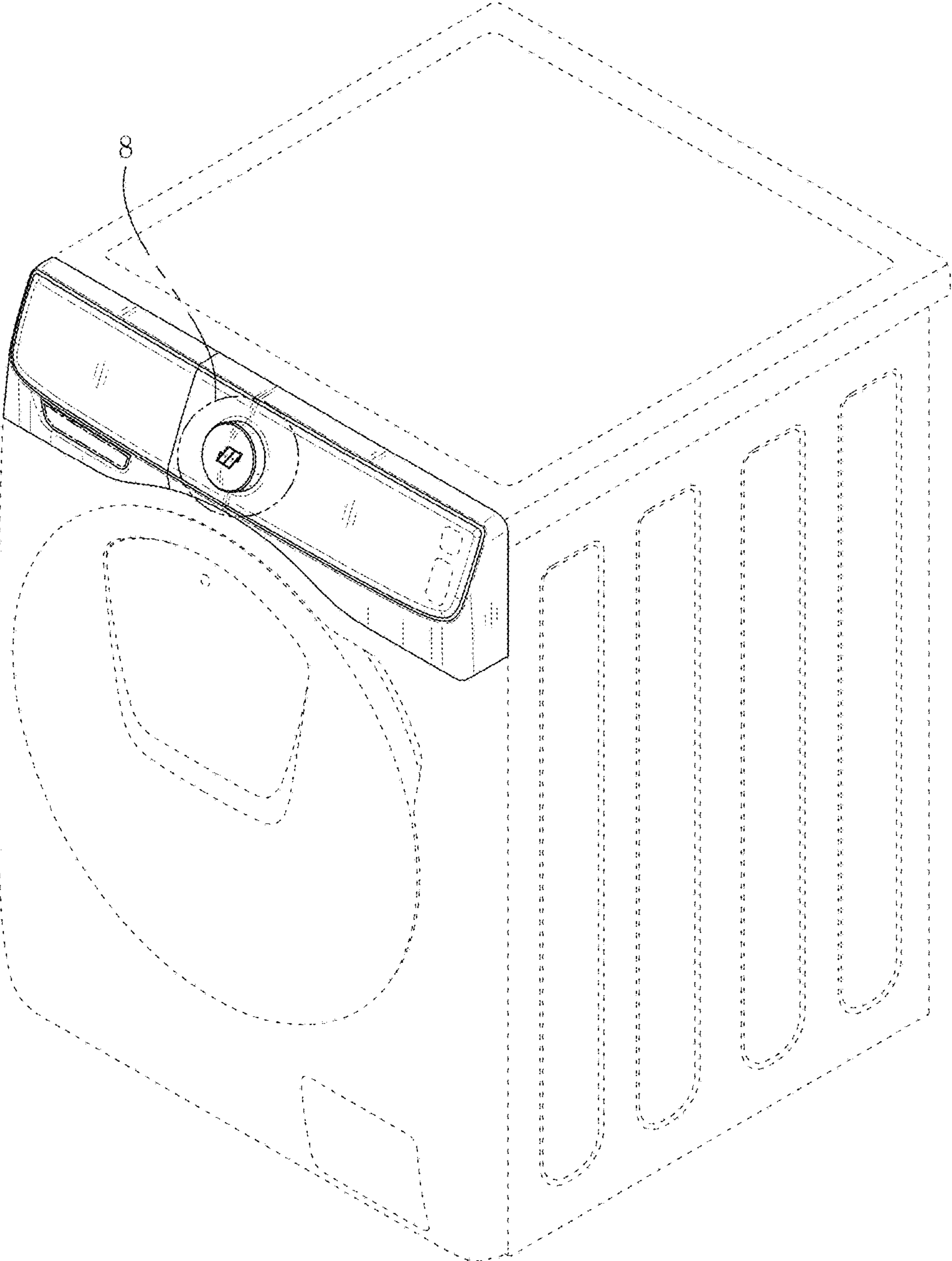


FIG. 2

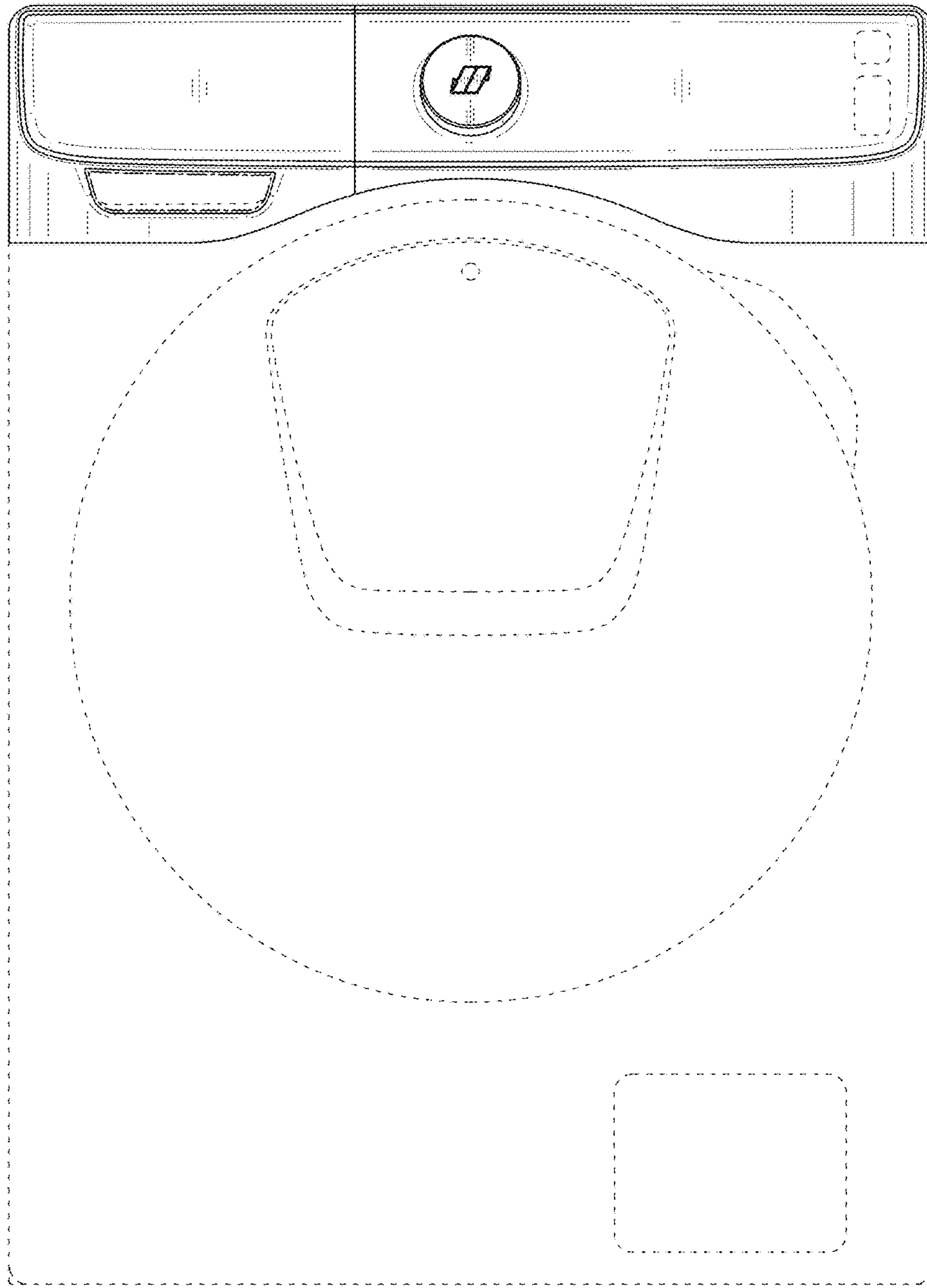


FIG. 3

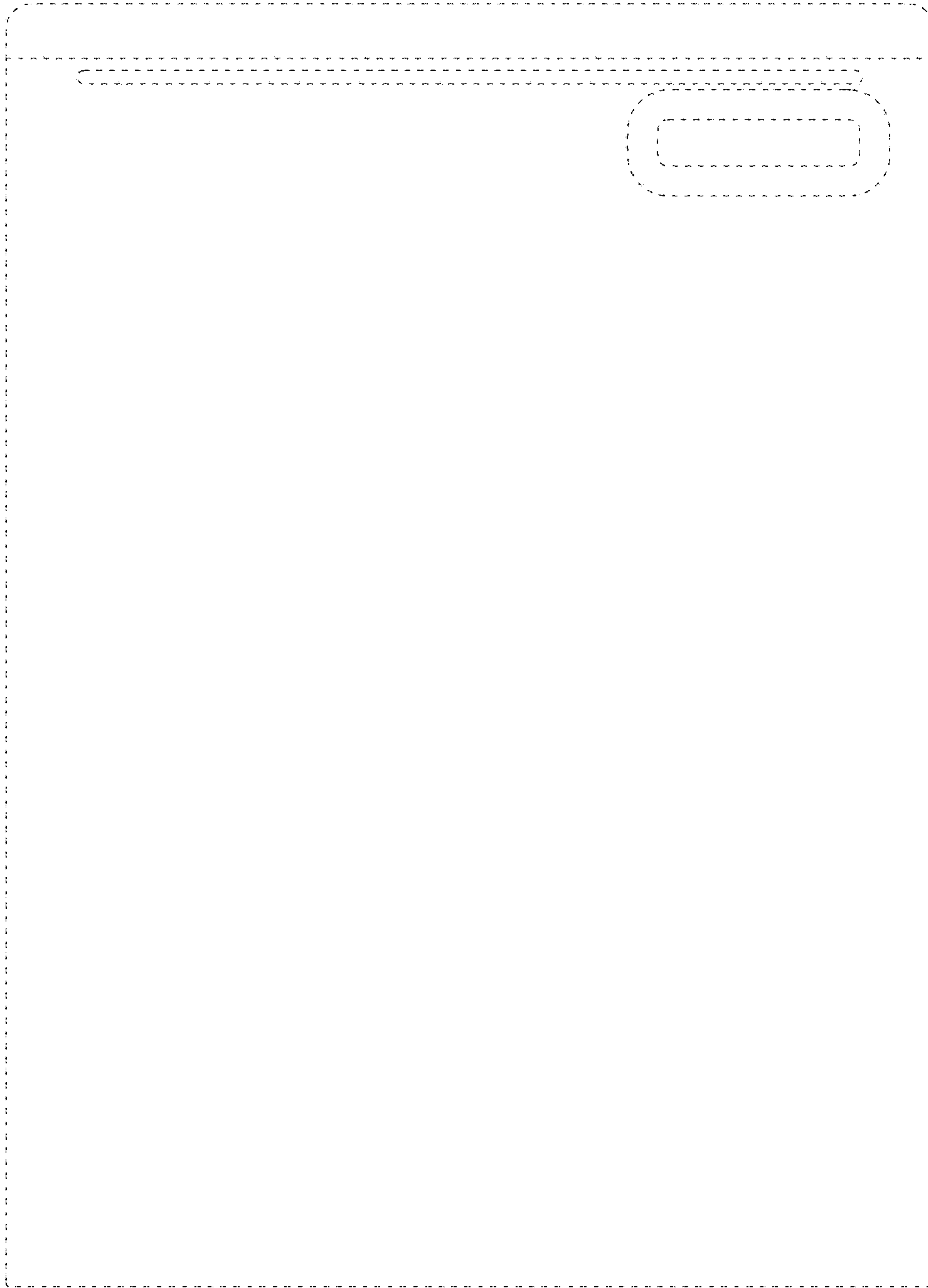


FIG. 4

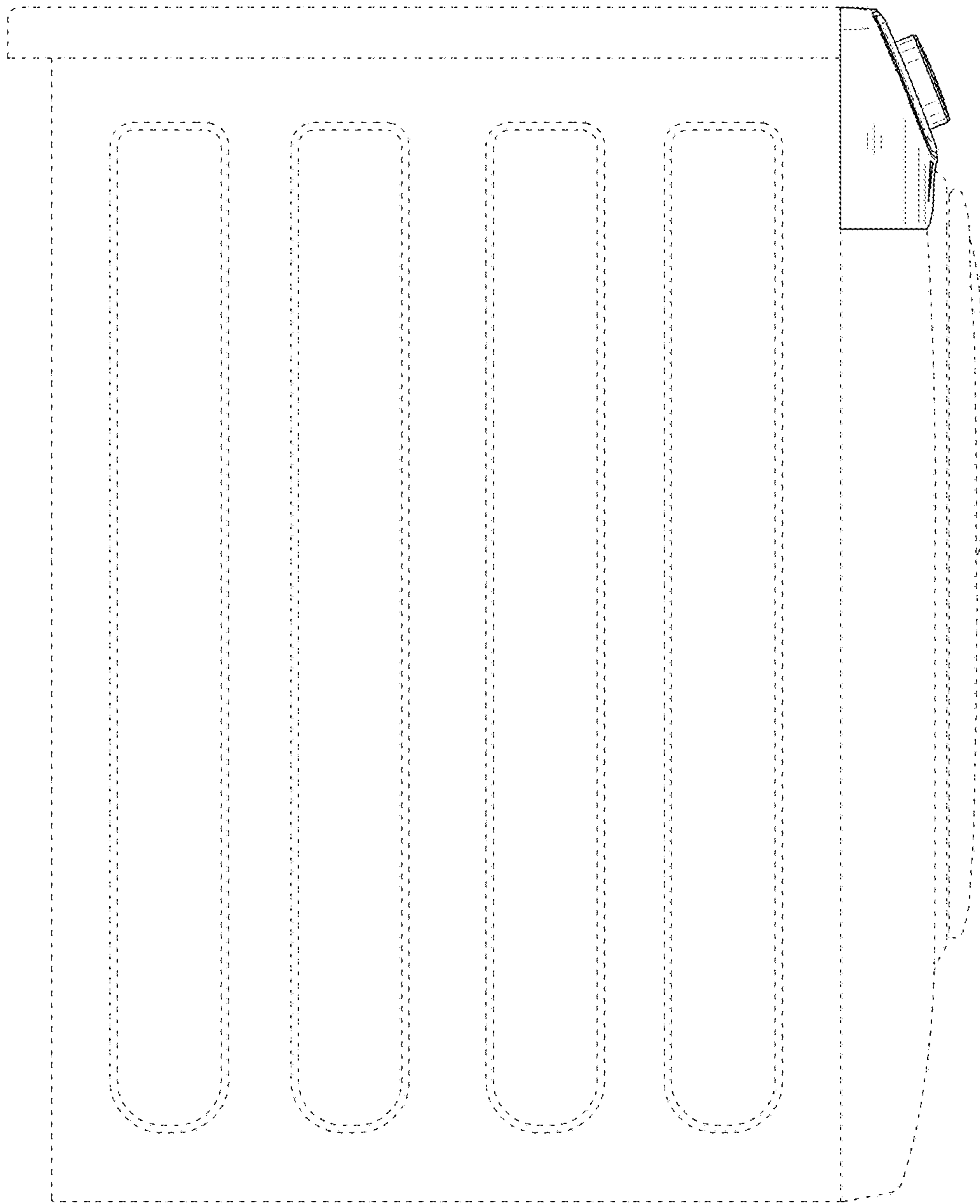


FIG. 5

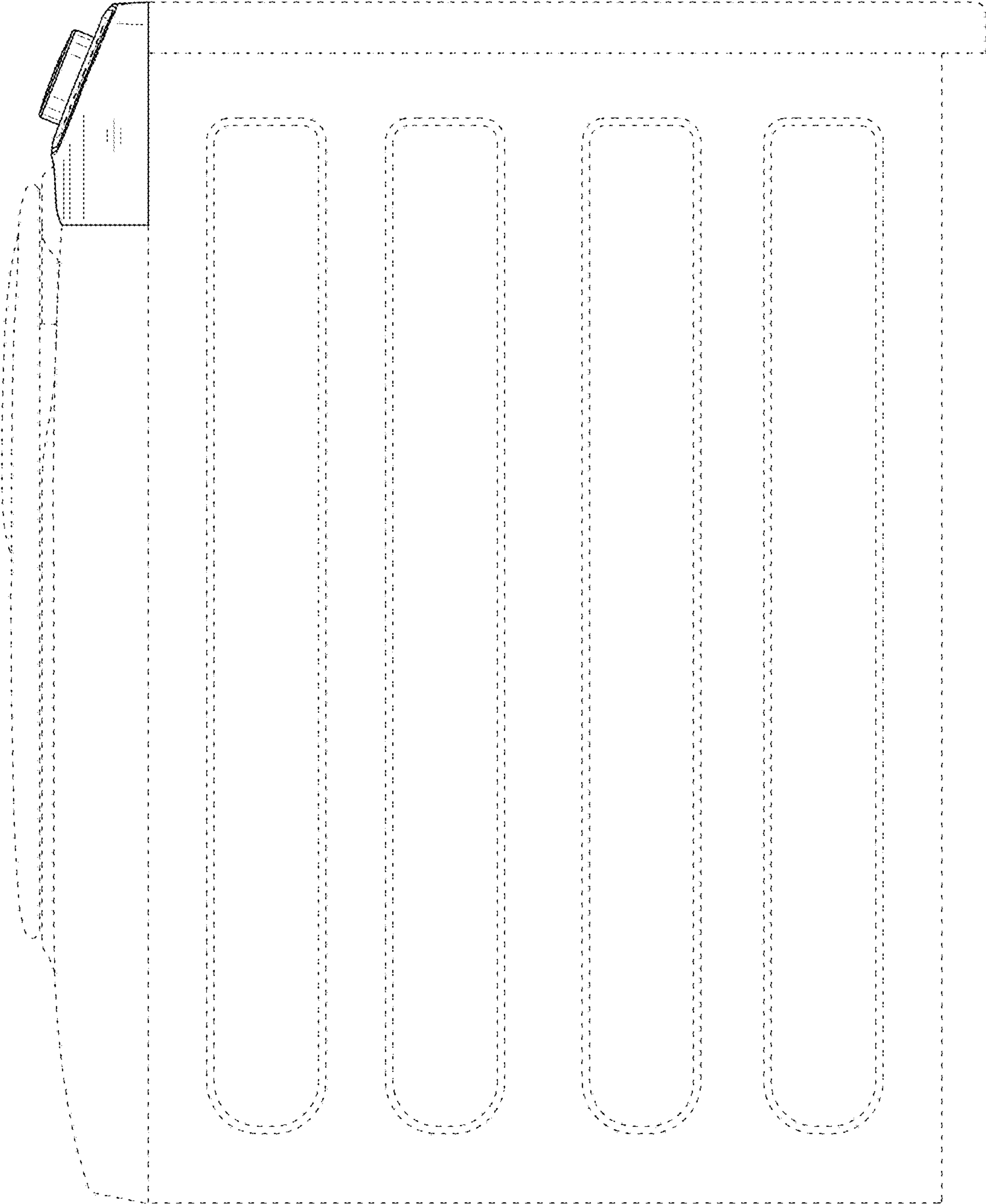


FIG. 6

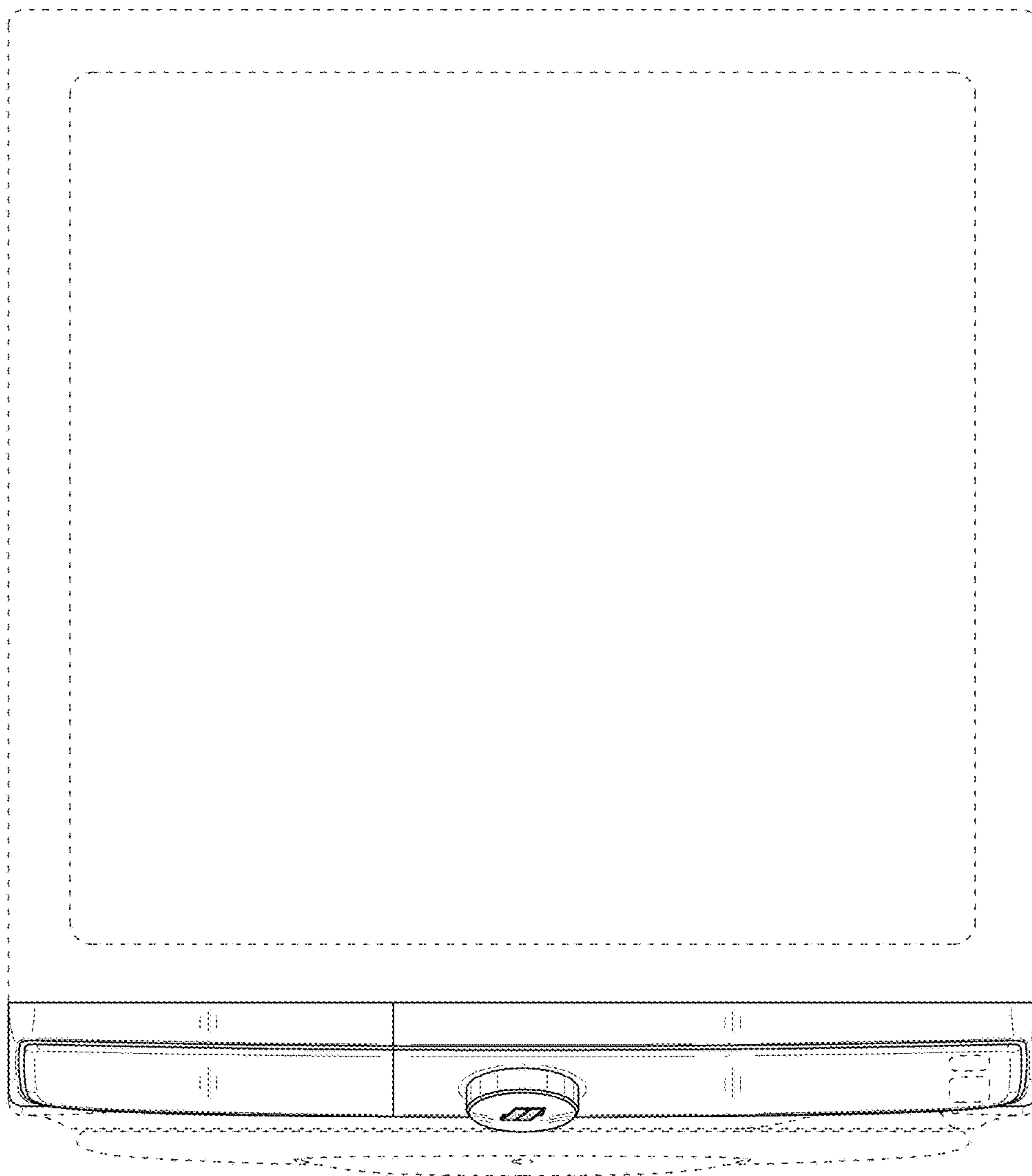


FIG. 7

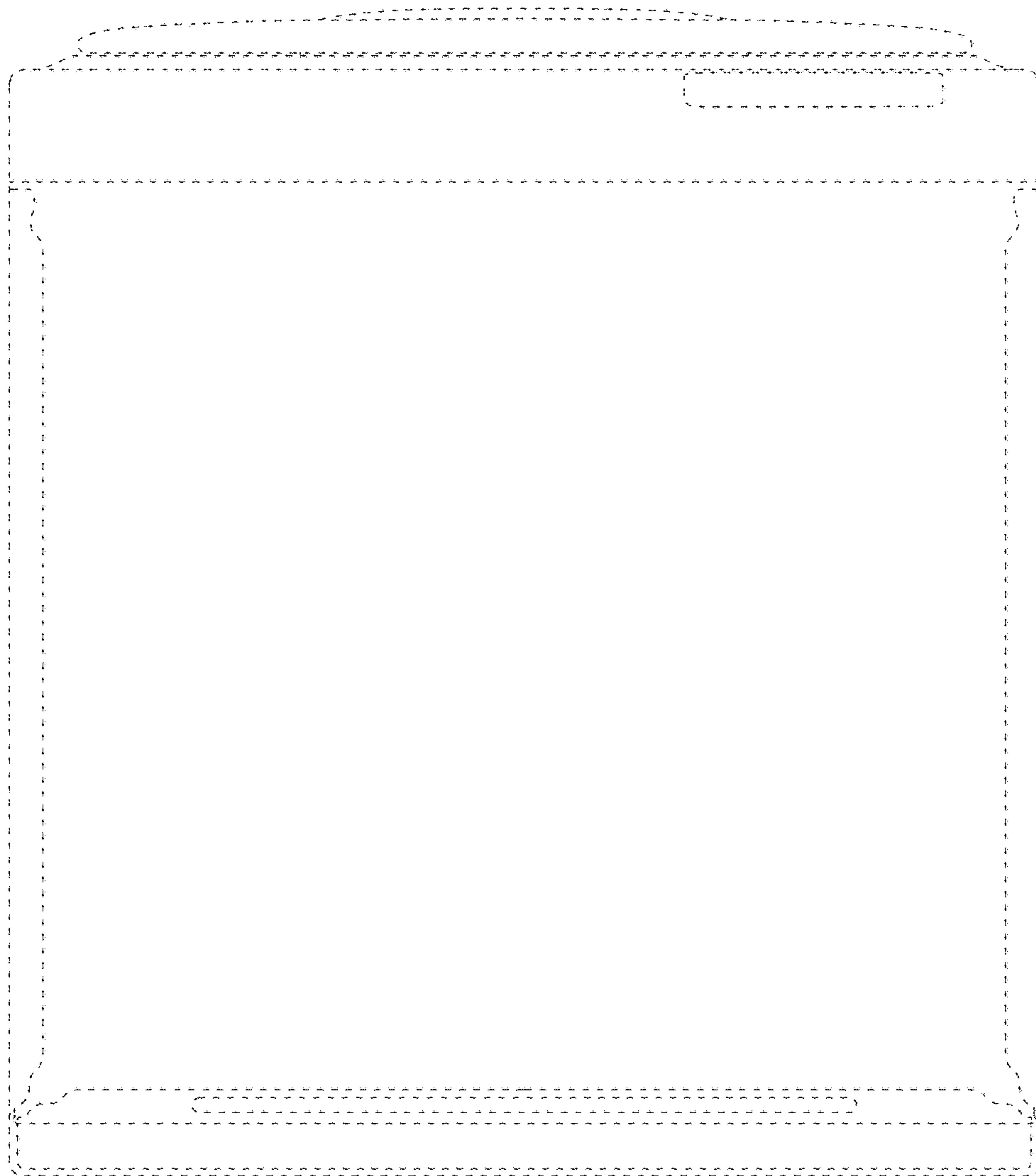


FIG. 8

