



US00D830019S

(12) **United States Design Patent**  
**Kim et al.**

(10) **Patent No.:** **US D830,019 S**  
(45) **Date of Patent:** **\*\* Oct. 2, 2018**

(54) **WASHING MACHINE**

(71) Applicant: **Samsung Electronics Co., Ltd.**,  
Suwon-si (KR)

(72) Inventors: **Jinnam Kim**, Seoul (KR); **Jungah Choi**, Seoul (KR)

(73) Assignee: **Samsung Electronics Co., Ltd.**,  
Suwon-si (KR)

(\*\*) Term: **15 Years**

(21) Appl. No.: **29/615,383**

(22) Filed: **Aug. 29, 2017**

(30) **Foreign Application Priority Data**

May 22, 2017 (KR) ..... 30-2017-0023116

(51) **LOC (11) Cl.** ..... **15-05**

(52) **U.S. Cl.**  
USPC ..... **D32/28**

(58) **Field of Classification Search**  
USPC ..... D32/1, 28, 6, 25, 29, 29.1, 8; D15/89;  
D13/162, 162.1, 164, 177; D7/348, 349,  
D7/402, 405, 406  
CPC ..... D06F 39/045; D06F 29/00; D06F 29/005;  
D06F 33/02; D06F 2204/065; D06F  
25/00; D06F 35/006; D06F 37/28; D06F  
39/14; D06F 58/203  
See application file for complete search history.

(56) **References Cited**

**U.S. PATENT DOCUMENTS**

- D540,499 S \* 4/2007 Crookshanks ..... D32/28
- D573,762 S \* 7/2008 Eicher ..... D32/28
- D577,471 S \* 9/2008 Park ..... D32/28
- D613,010 S \* 3/2010 Eicher ..... D32/28
- D681,892 S \* 5/2013 Meda ..... D32/28
- D684,740 S \* 6/2013 Geyer ..... D32/28
- D693,974 S \* 11/2013 Geyer ..... D32/28

- D702,407 S \* 4/2014 Geyer ..... D32/28
- D705,508 S \* 5/2014 Calmeise ..... D32/28
- D744,179 S \* 11/2015 Lee ..... D32/28
- D747,575 S \* 1/2016 Choi ..... D32/28
- D759,916 S \* 6/2016 Choi ..... D32/28
- D759,917 S \* 6/2016 Choi ..... D32/28

(Continued)

**FOREIGN PATENT DOCUMENTS**

- JP D1424953 10/2011
- KR 30-2006-0020554 3/2007

(Continued)

*Primary Examiner* — Michelle E Wilson

(74) *Attorney, Agent, or Firm* — NSIP Law

(57) **CLAIM**

We claim the ornamental design for a washing machine, as shown and described.

**DESCRIPTION**

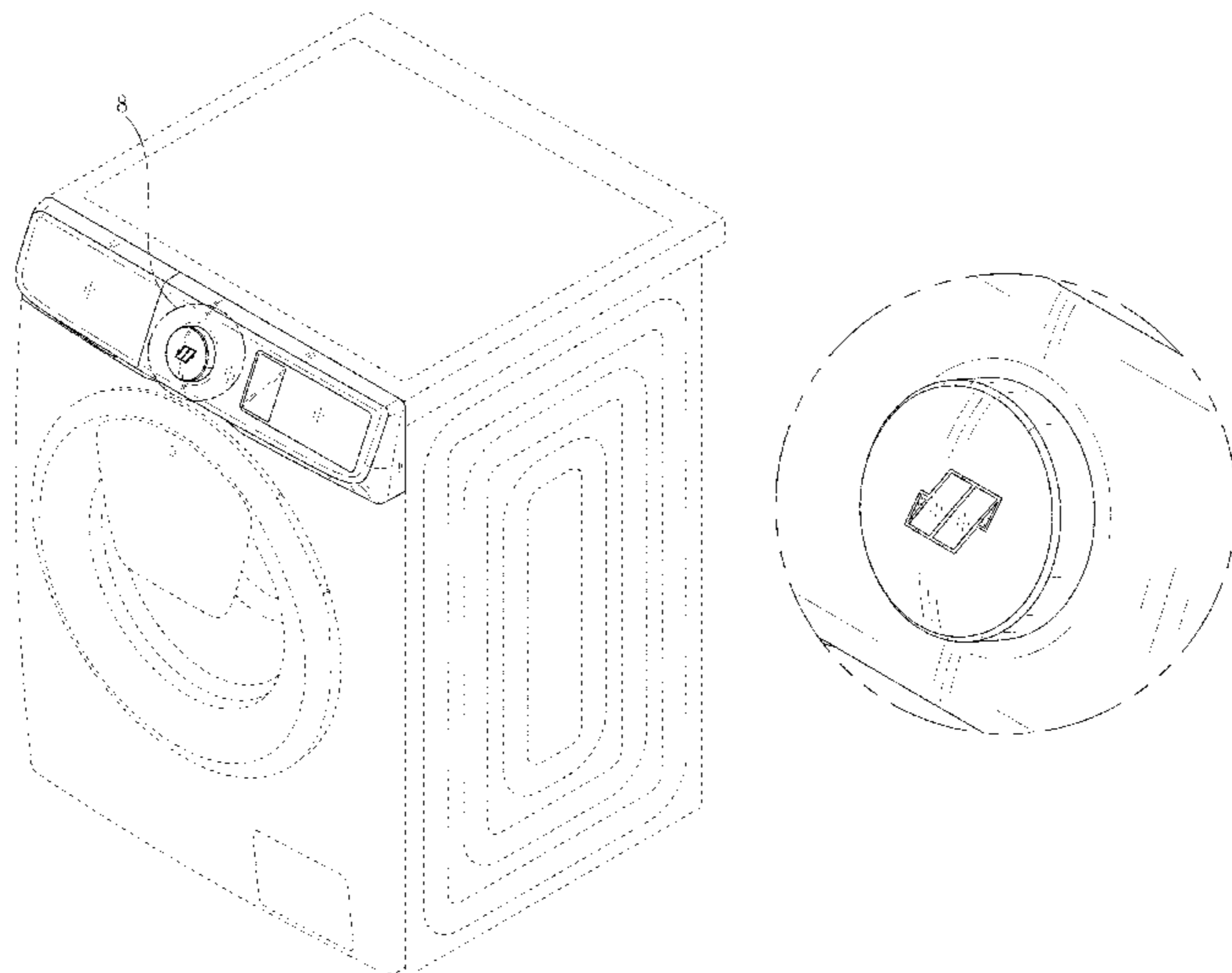
FIG. 1 is a front perspective view of a washing machine showing our new design;  
FIG. 2 is a front view thereof;  
FIG. 3 is a rear view thereof;  
FIG. 4 is a left-side view thereof;  
FIG. 5 is a right-side view thereof;  
FIG. 6 is a top view thereof;  
FIG. 7 is a bottom view thereof; and,  
FIG. 8 is an enlarged view of the encircled portion in FIG. 1.

The evenly spaced dot-dot broken lines in the figures show portions of the washing machine which form no part of the claimed design.

The dot-dash broken lines in the figures represent a boundary of the claimed design and form no part thereof.

The dot-dot-dash broken lines encircling portions of the claimed design that are illustrated in enlargements form no part of the claimed design.

**1 Claim, 8 Drawing Sheets**



(56)

**References Cited**

U.S. PATENT DOCUMENTS

D760,457 S	*	6/2016	Choi .....	D32/28
D760,458 S	*	6/2016	Choi .....	D32/28
D771,888 S	*	11/2016	Kim .....	D32/28
D794,884 S	*	8/2017	Ayers .....	D32/28

FOREIGN PATENT DOCUMENTS

KR	30-2008-0033864	2/2009
KR	30-2013-0006874	1/2014
KR	30-2013-0020381	7/2014

\* cited by examiner

FIG. 1

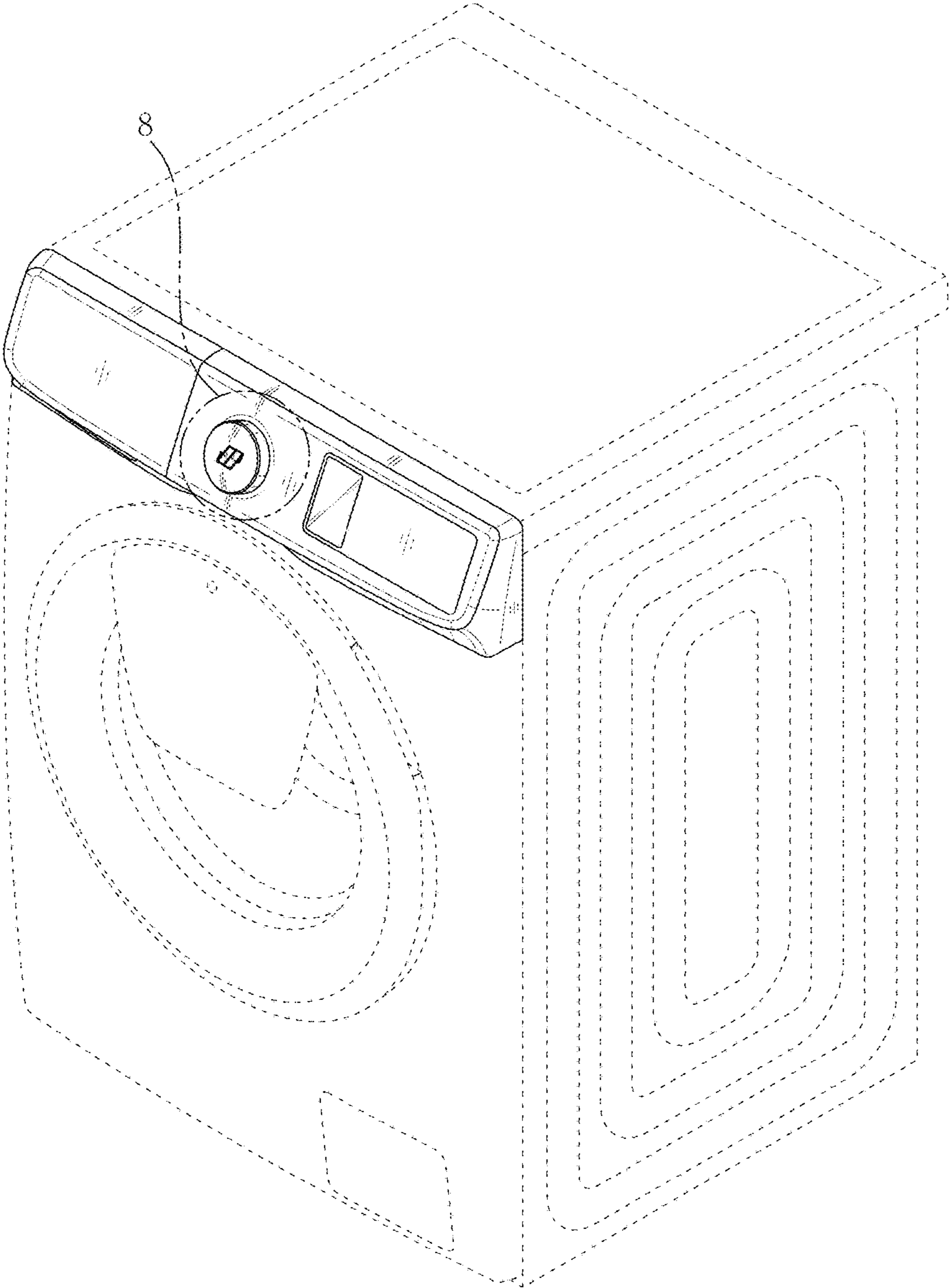


FIG. 2

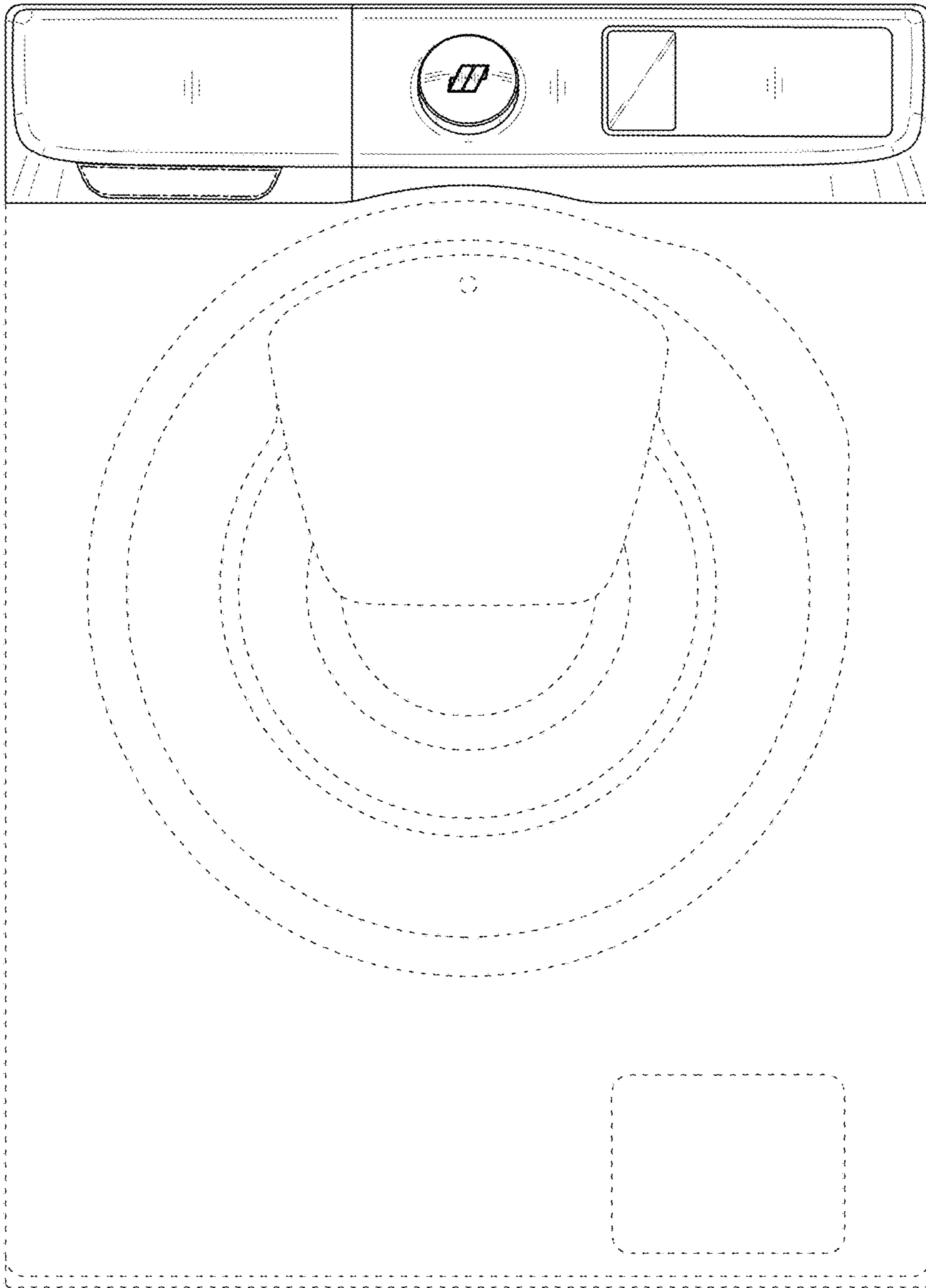


FIG. 3



FIG. 4

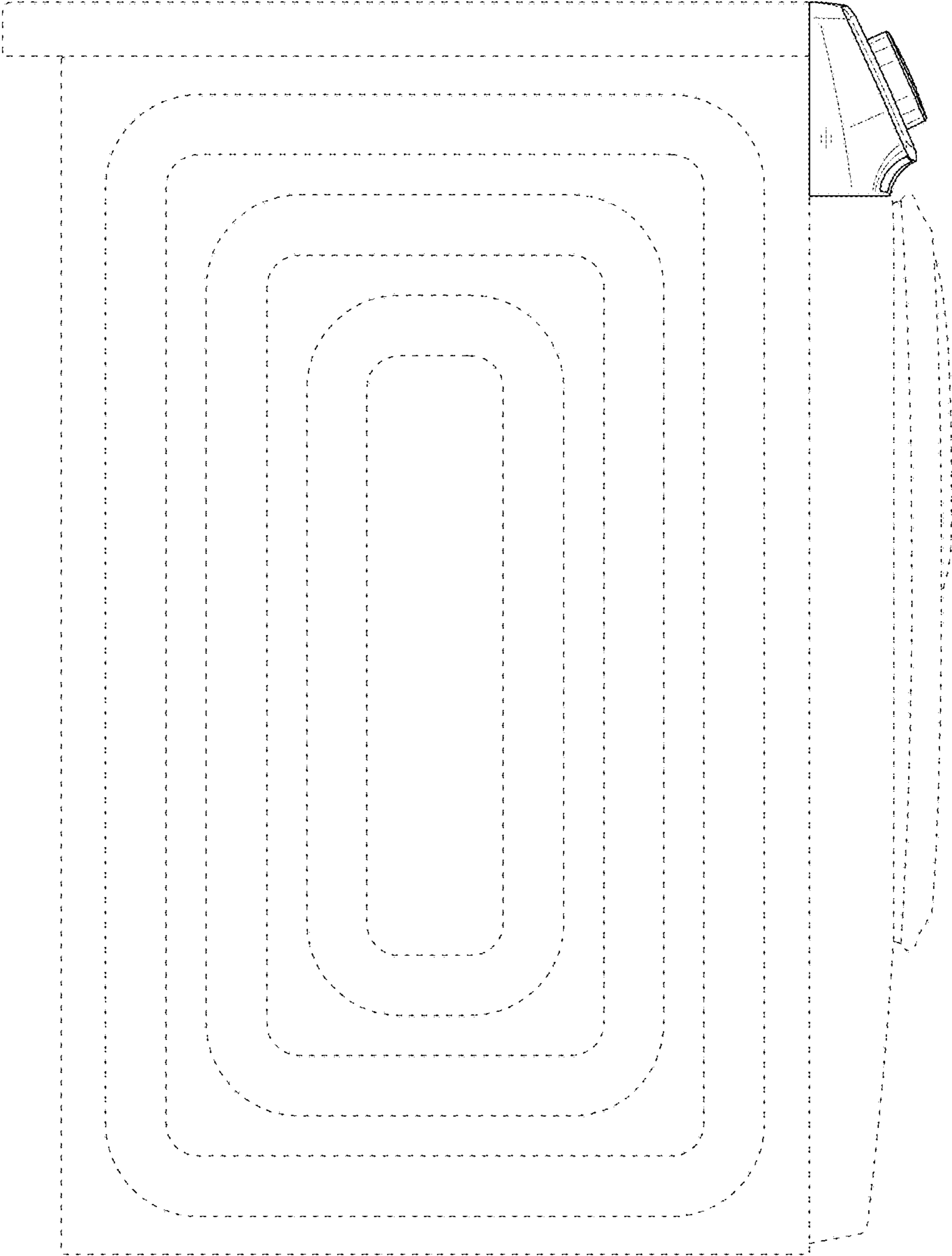


FIG. 5

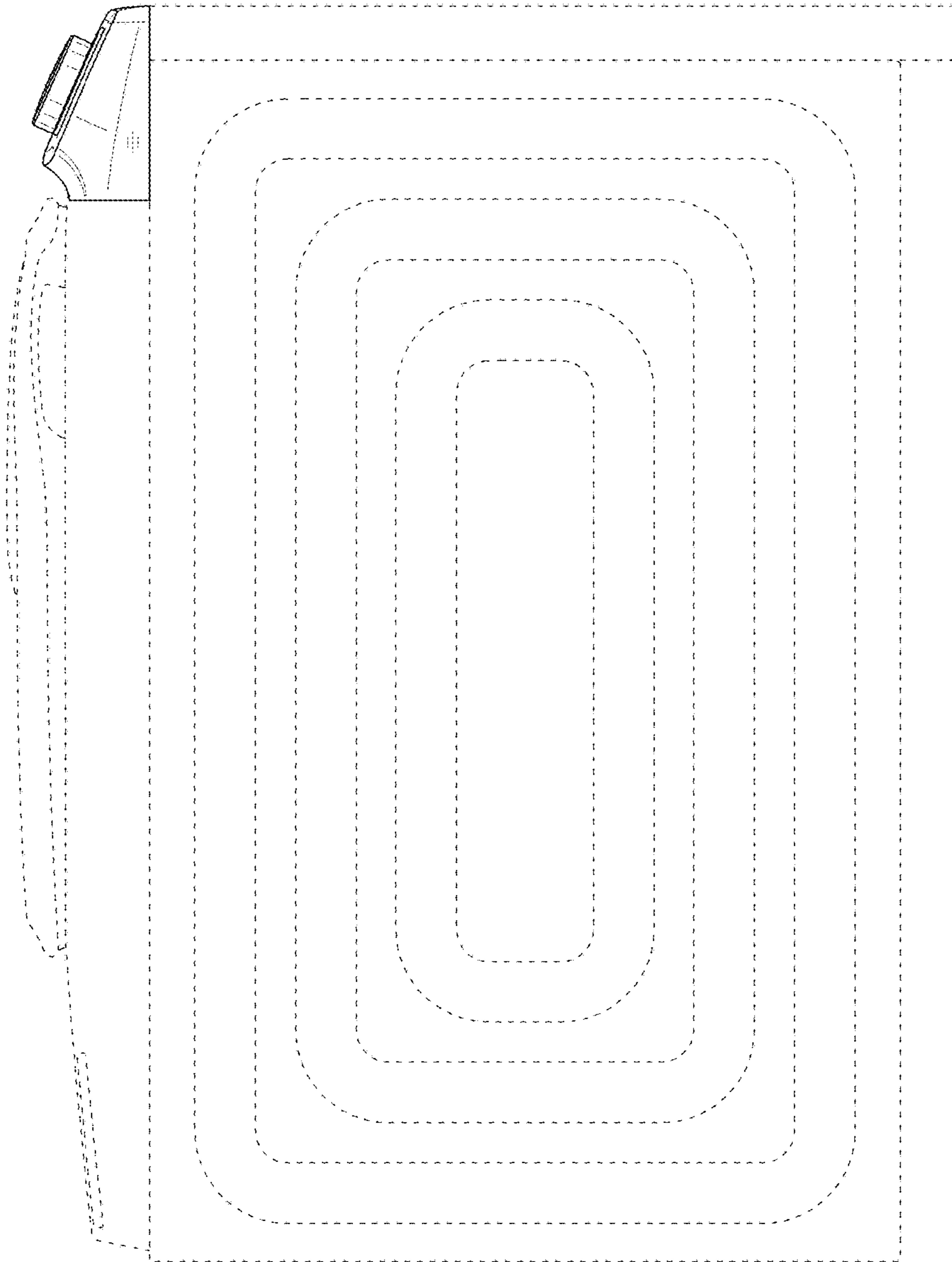


FIG. 6

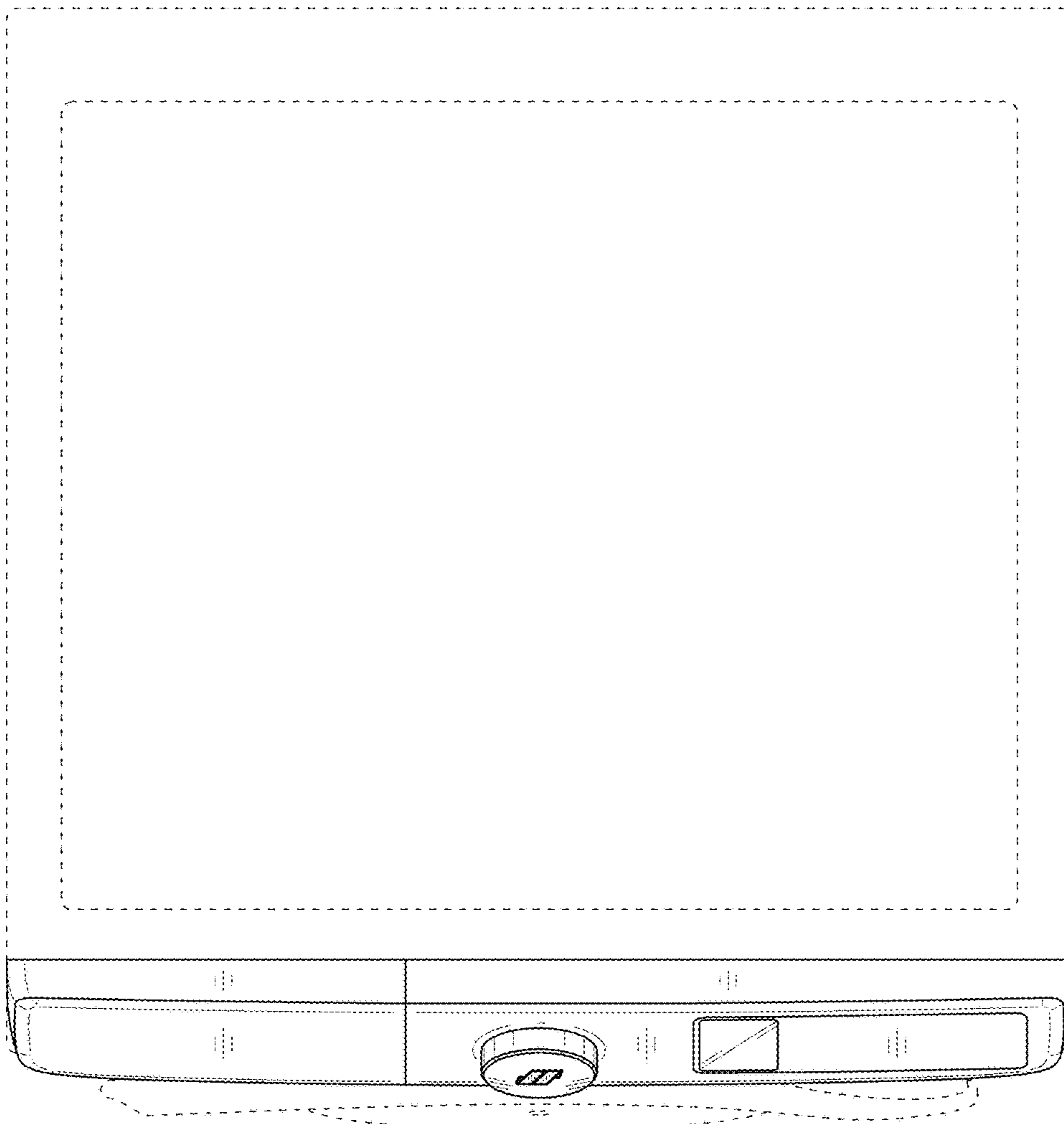




FIG. 7

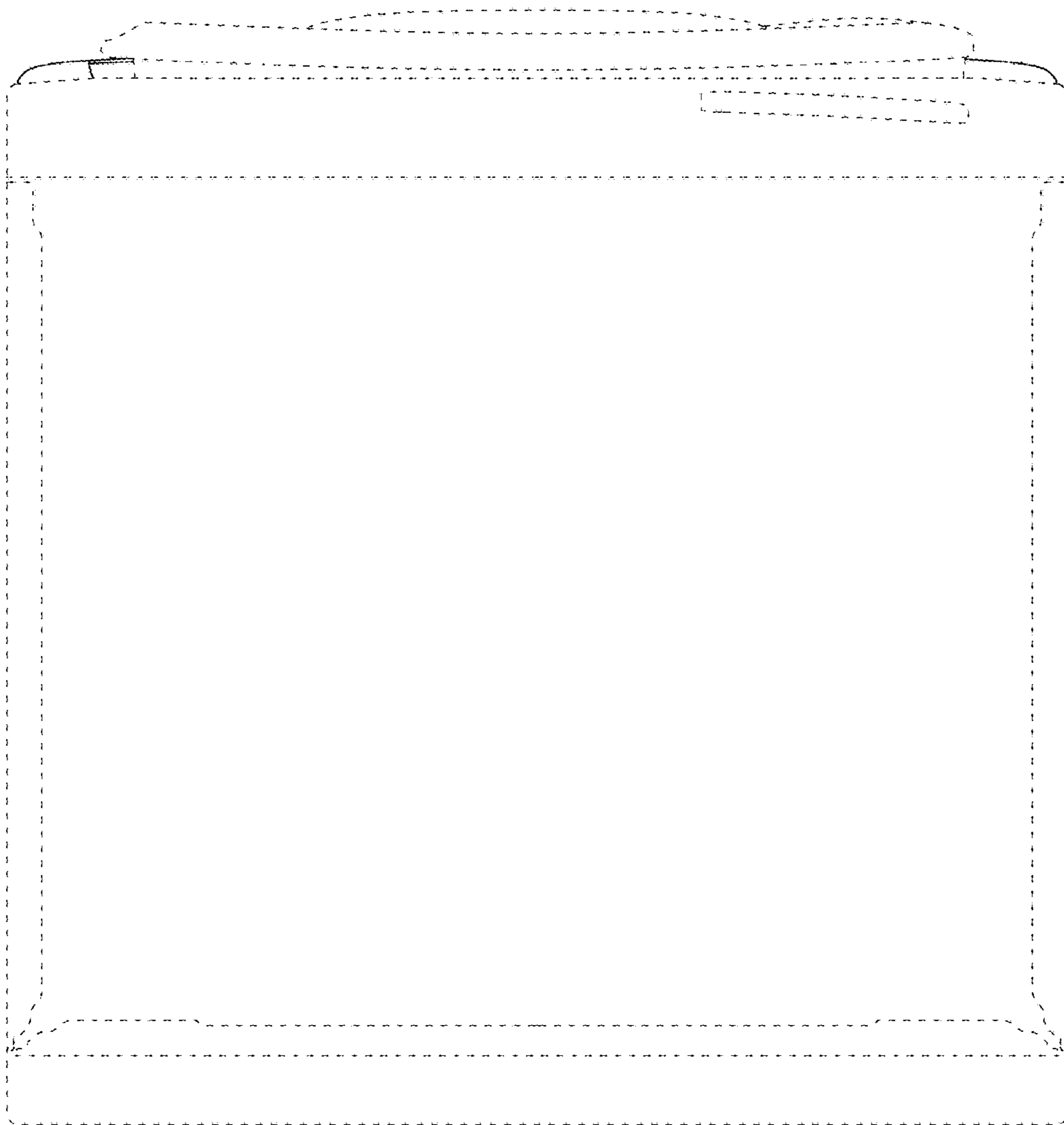


FIG. 8

