



US00D830017S

(12) **United States Design Patent** (10) **Patent No.:** **US D830,017 S**
Nam et al. (45) **Date of Patent:** **** Oct. 2, 2018**

(54) **VACUUM CLEANER**
(71) Applicant: **LG ELECTRONICS INC., Seoul (KR)**
(72) Inventors: **Bohyun Nam, Seoul (KR); Jinju Kim, Seoul (KR); Hyeonjeong An, Seoul (KR); Myungwhoon Lee, Seoul (KR)**
(73) Assignee: **LG ELECTRONICS INC., Seoul (KR)**
(**) Term: **15 Years**

D800,980 S * 10/2017 Carter A47L 9/2831
15/3
D818,222 S * 5/2018 Nam B01D 46/0005
D818,223 S * 5/2018 Nam A47L 9/1675
2013/0036573 A1 * 2/2013 Ventress A47L 9/0072
15/344
2014/0366286 A1 * 12/2014 Zheng A47L 9/2831
15/3
2017/0280950 A1 * 10/2017 Nam A47L 5/28
2017/0280951 A1 * 10/2017 Nam A47L 5/28
2017/0280952 A1 * 10/2017 Nam A47L 5/28
2017/0280959 A1 * 10/2017 Nam A47L 9/1683
2017/0296958 A1 * 10/2017 Nam B01D 46/0005
2017/0332860 A1 * 11/2017 Nam A47L 9/1675

(21) Appl. No.: **35/503,362**

(22) Filed: **Jan. 11, 2017**

(80) **Hague Agreement Data**

Int. Filing Date: **Jan. 11, 2017**
Int. Reg. No.: **DM/094301**
Int. Reg. Date: **Jan. 11, 2017**
Int. Reg. Pub. Date: **Jul. 14, 2017**

(30) **Foreign Application Priority Data**

Sep. 7, 2016 (KR) 30-2016-0044028

(51) **LOC (11) Cl.** **15-05**

(52) **U.S. Cl.**
USPC **D32/22**

(58) **Field of Classification Search**
USPC D32/21, 22, 23, 30, 31, 32
CPC A47L 5/24; A47L 5/28; A47L 2201/04;
A47L 2201/00; A47L 2201/024
See application file for complete search history.

(56) **References Cited**

U.S. PATENT DOCUMENTS

D668,823 S * 10/2012 Stickney D32/18
D741,558 S * 10/2015 Kerr D32/18

OTHER PUBLICATIONS

“LG’s stick vacs spin fastern than an airplane engine, lasts 80 minutes”. cnet article by Andrew Gebhart, dated Jan. 2, 2017. Found online May 31, 2018 at <https://www.cnet.com/products/lg-cordzero-stick-vacuum/preview/> (Year: 2017).*

* cited by examiner

Primary Examiner — Robert M. Spear
(74) *Attorney, Agent, or Firm* — Birch, Stewart, Kolasch & Birch, LLP

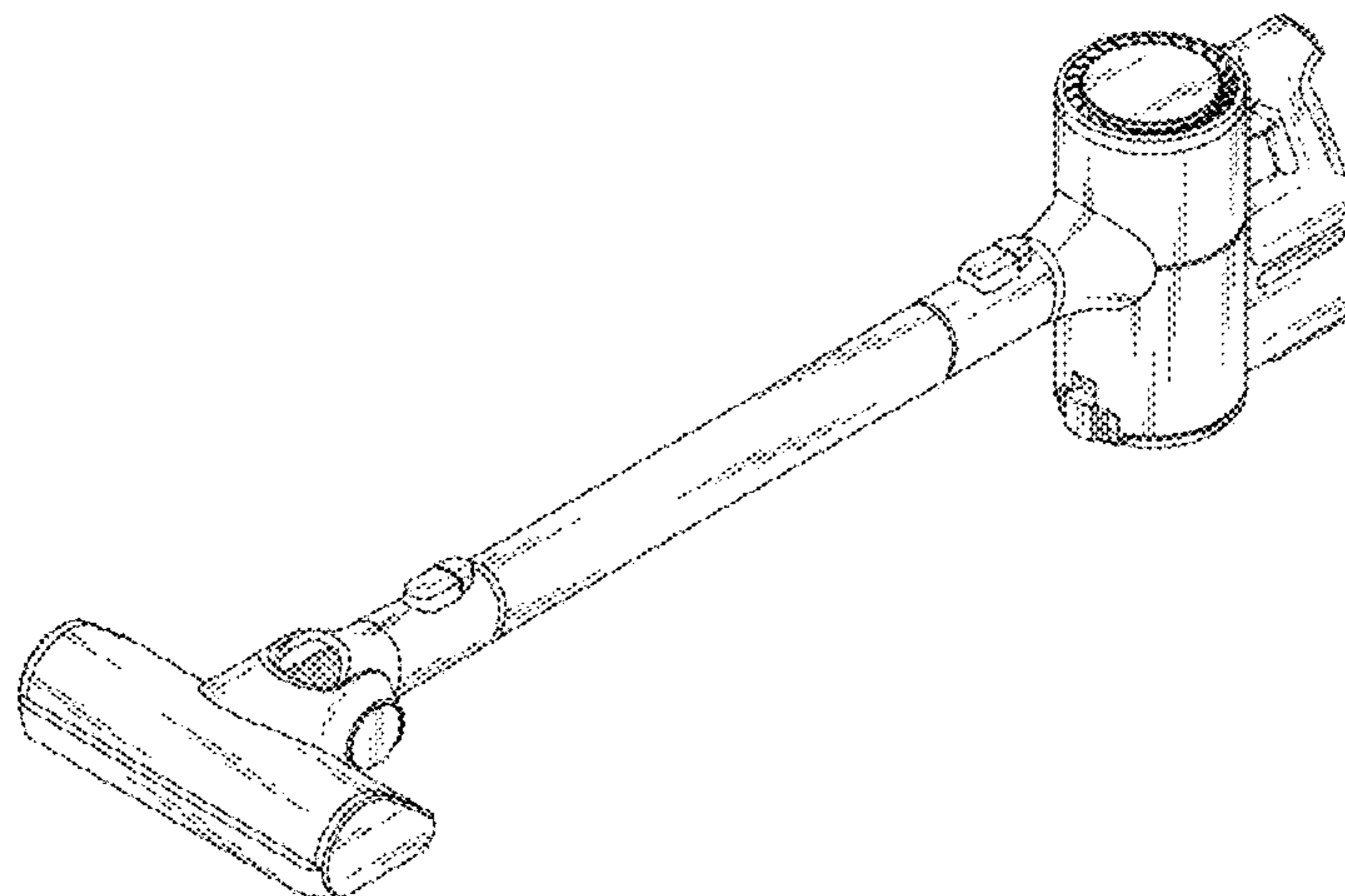
(57) **CLAIM**

The ornamental design for a vacuum cleaner, as shown and described.

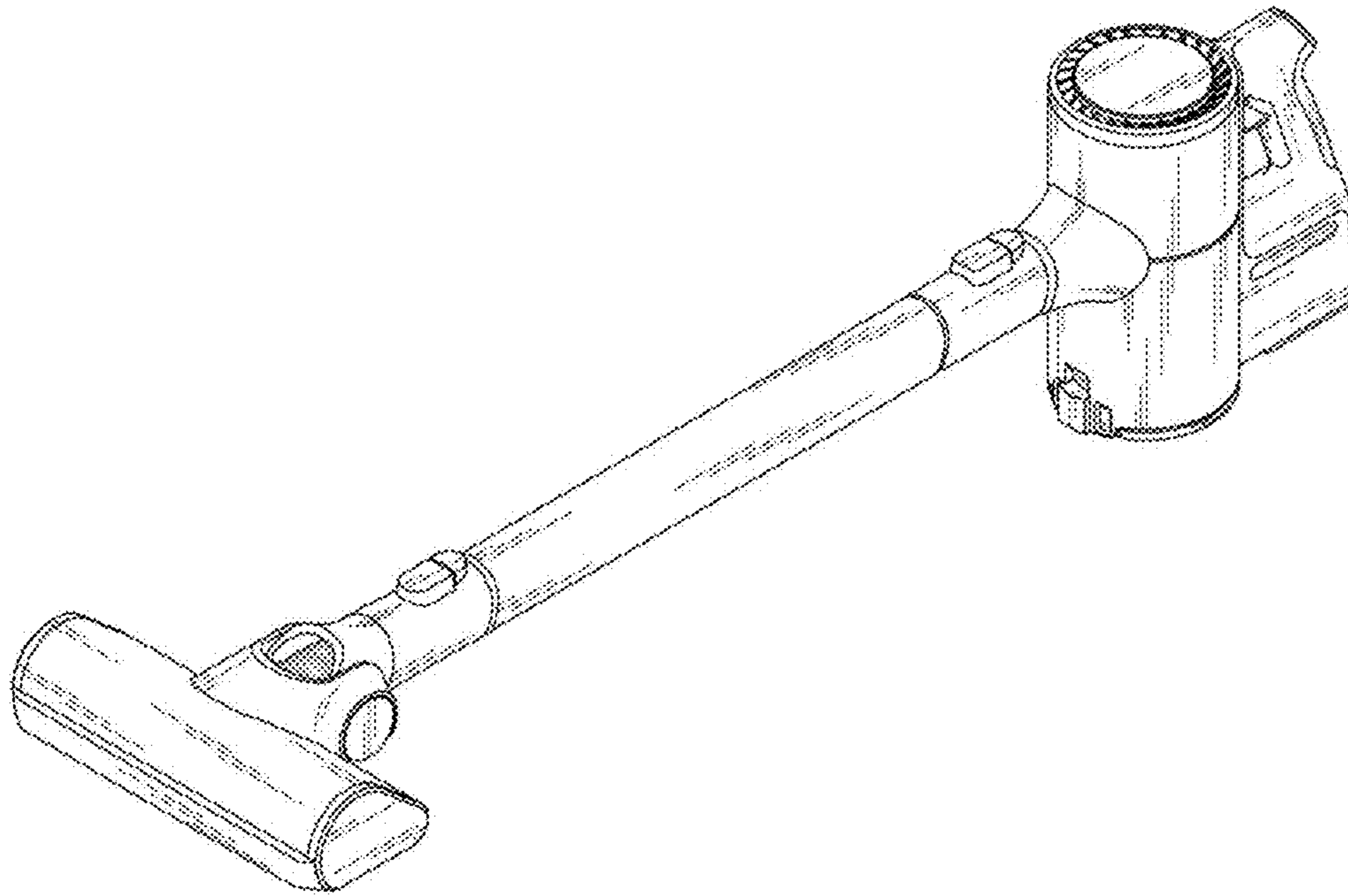
DESCRIPTION

- 1. Vacuum cleaner
- 1.1 : Top right front perspective view;
- 1.2 : Front elevational view;
- 1.3 : Rear elevational view;
- 1.4 : Left side elevational view;
- 1.5 : Right side elevational view;
- 1.6 : Top plan view;
- 1.7 : Bottom plan view.

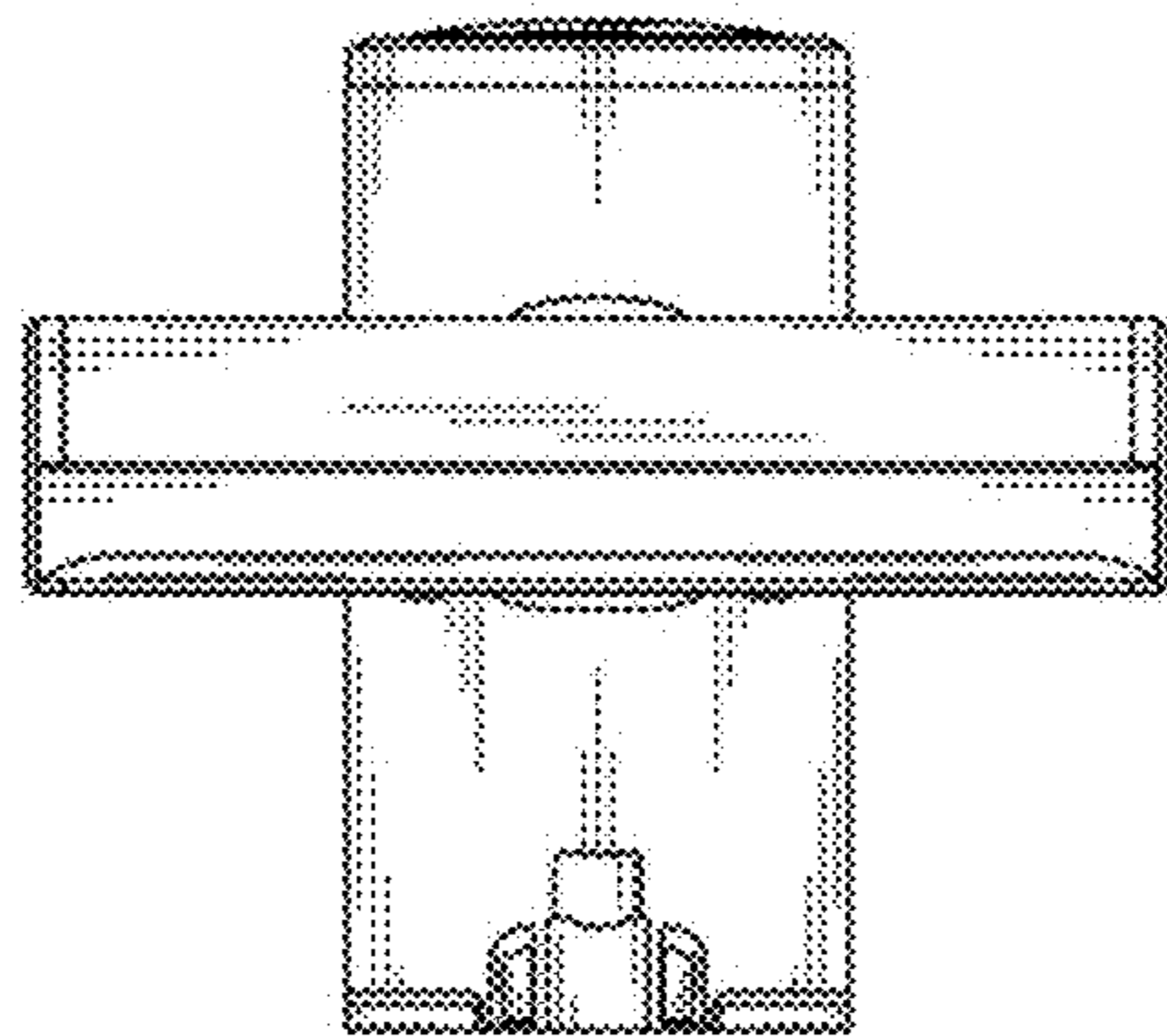
1 Claim, 7 Drawing Sheets



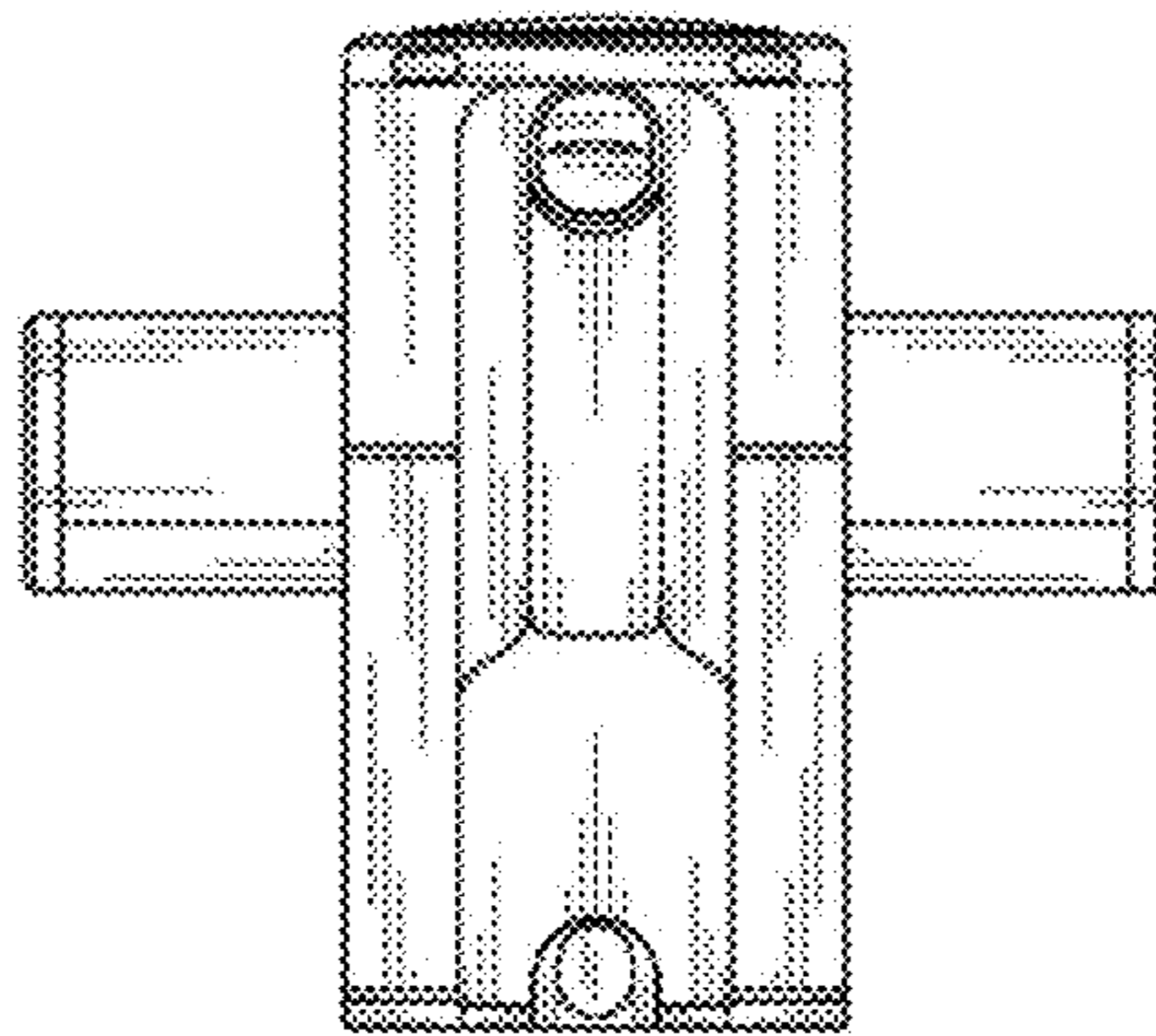
1.1



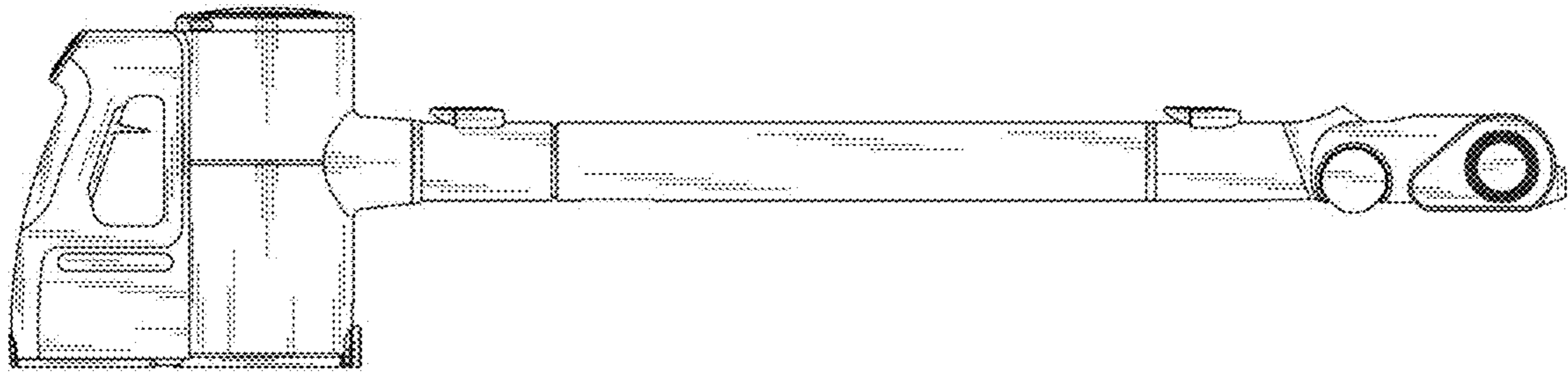
1.2



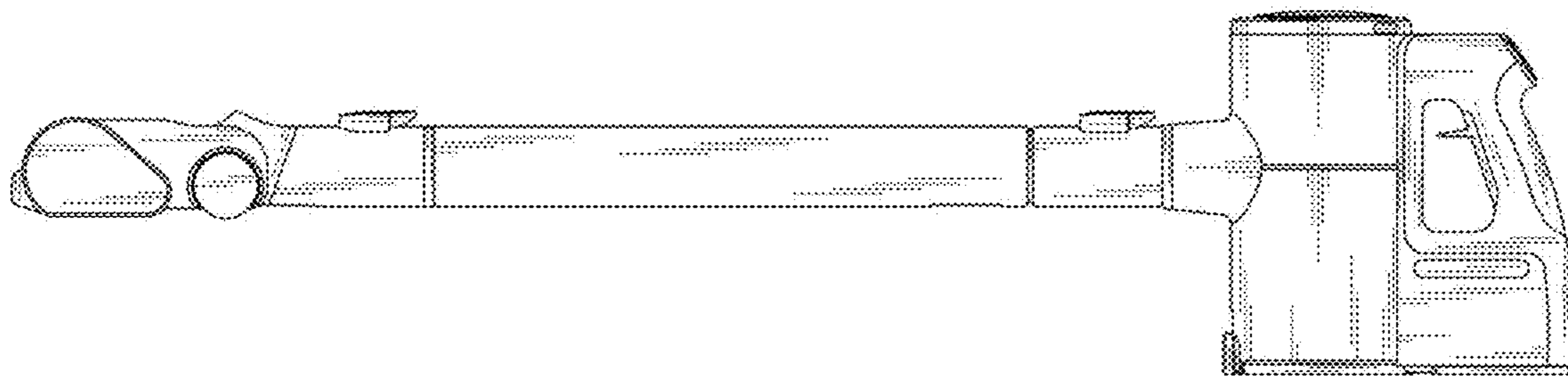
1.3



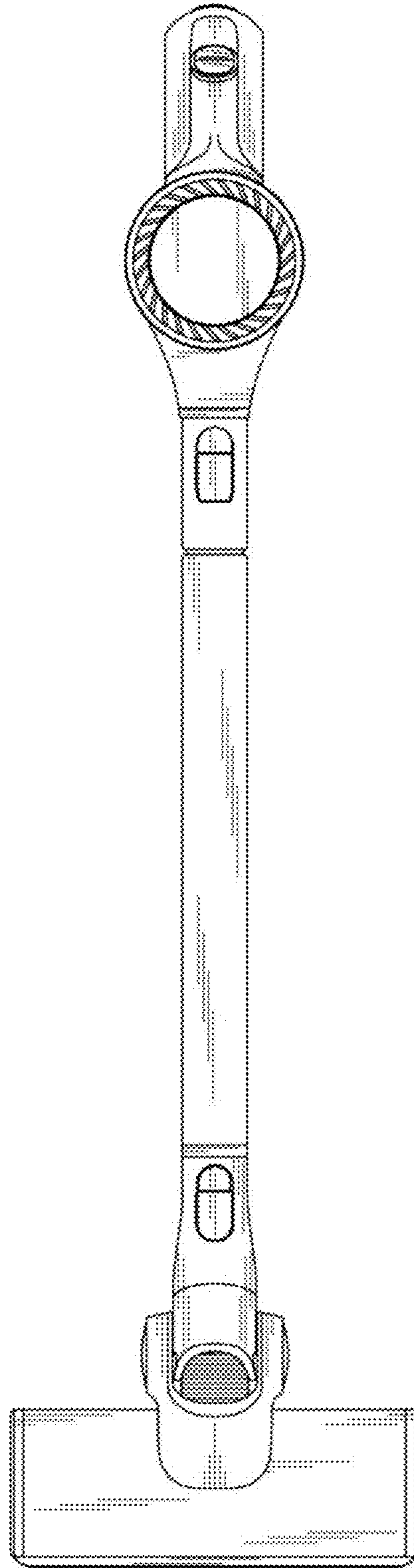
1.4



1.5



1.6



1.7

