



US00D830015S

(12) **United States Design Patent**  
**Jin et al.**

(10) **Patent No.:** **US D830,015 S**  
(45) **Date of Patent:** **\*\* Oct. 2, 2018**

- (54) **ELECTRIC VACUUM CLEANER**
- (71) Applicant: **Alfred Kaercher GmbH & Co. KG**,  
Winnenden (DE)
- (72) Inventors: **Zheyi Jin**, Backnang (DE); **Denis Dammkoehler**, Backnang (DE)
- (73) Assignee: **Alfred Kaercher GmbH & Co. KG**,  
Winnenden (DE)
- (\*\*) Term: **15 Years**
- (21) Appl. No.: **29/615,371**
- (22) Filed: **Aug. 29, 2017**
- (30) **Foreign Application Priority Data**  
Apr. 27, 2017 (WO) ..... 3193201
- (51) **LOC (11) Cl.** ..... **15-05**
- (52) **U.S. Cl.**  
USPC ..... **D32/21**
- (58) **Field of Classification Search**  
USPC ..... D32/21-24, 31  
CPC ..... E04H 4/1654; A47L 9/2842; A47L 9/26;  
A47L 9/325; A47L 9/009; A47L 11/34;  
A47L 5/362; A47L 5/365; A47L 7/0004;  
A47L 7/0019  
See application file for complete search history.

- (56) **References Cited**  
U.S. PATENT DOCUMENTS  
D333,195 S \* 2/1993 Oberdorfer-Bogel ..... D32/23  
D333,890 S \* 3/1993 Oberdorfer-Bogel ..... D32/23  
D492,824 S \* 7/2004 Tomasiak ..... D32/23  
D506,857 S \* 6/2005 Griffin ..... D32/23  
D528,718 S \* 9/2006 Tomasiak ..... D32/21  
D568,013 S \* 4/2008 Crevling, Jr. .... D32/23  
D581,608 S \* 11/2008 Dammkoehler ..... D32/21

- D667,597 S \* 9/2012 Dammkoehler ..... D32/21
- D669,646 S \* 10/2012 Theising ..... D32/23
- D675,388 S \* 1/2013 Buck ..... D32/21
- D715,505 S \* 10/2014 Dammkoehler ..... D32/21
- D746,523 S \* 12/2015 Jin ..... D32/21
- 9,844,309 B2 \* 12/2017 Plato ..... A47L 9/20

**OTHER PUBLICATIONS**

Bosch, photograph of an electric vacuum cleaner, 1 page, date unknown.  
 Alfred Kaercher GmbH & Co. KG, photographs of electric vacuum cleaners, 2 pages, date unknown.  
 Nilfisk, photograph of an electric vacuum cleaner, 1 page, date unknown.  
 Starmix, photograph of an electric vacuum cleaner, 1 page, date unknown.  
 Stihl, photograph of an electric vacuum cleaner, 1 page, date unknown.

\* cited by examiner

*Primary Examiner* — Ruth McInroy  
 (74) *Attorney, Agent, or Firm* — Lipsitz & McAllister, LLC

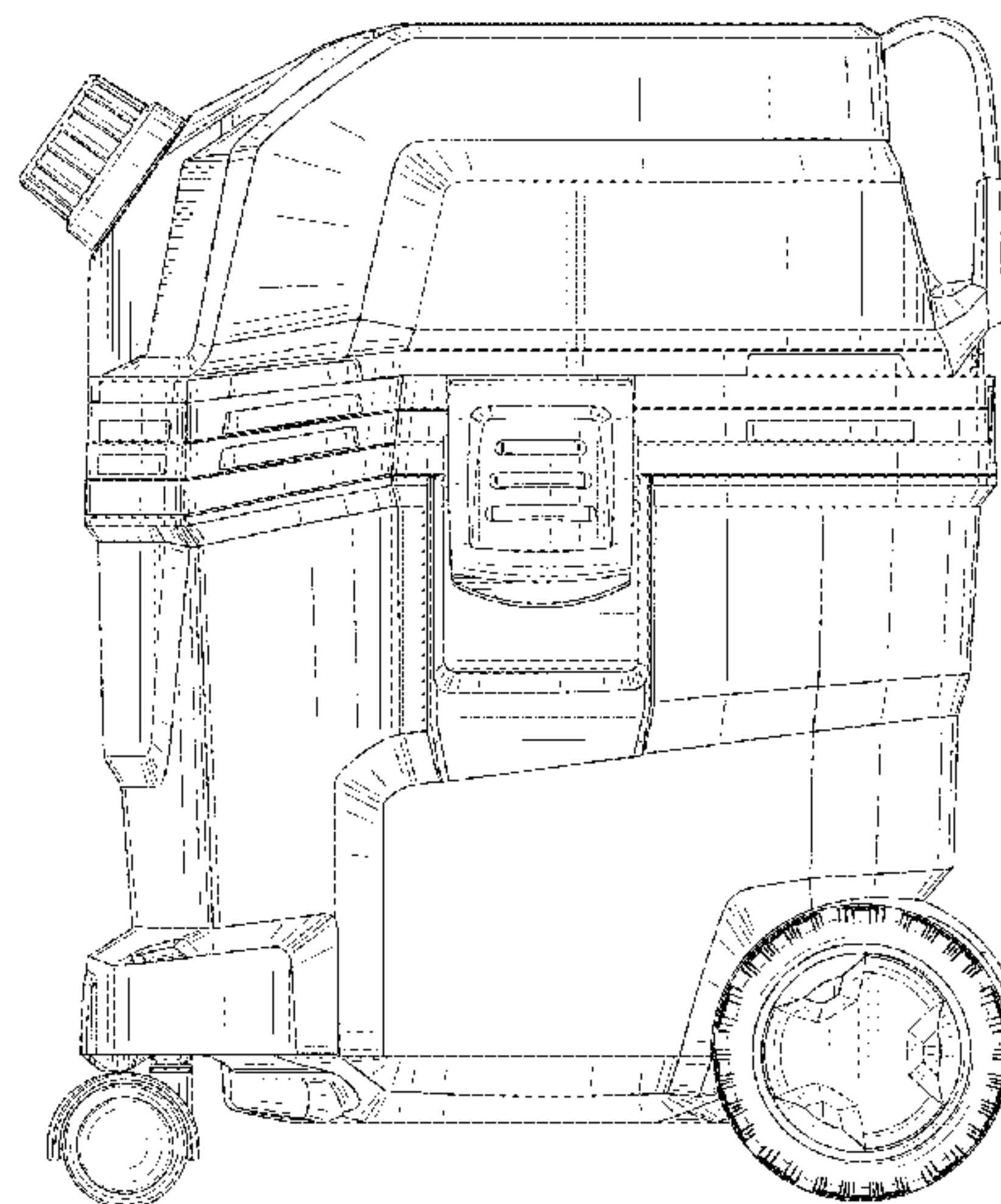
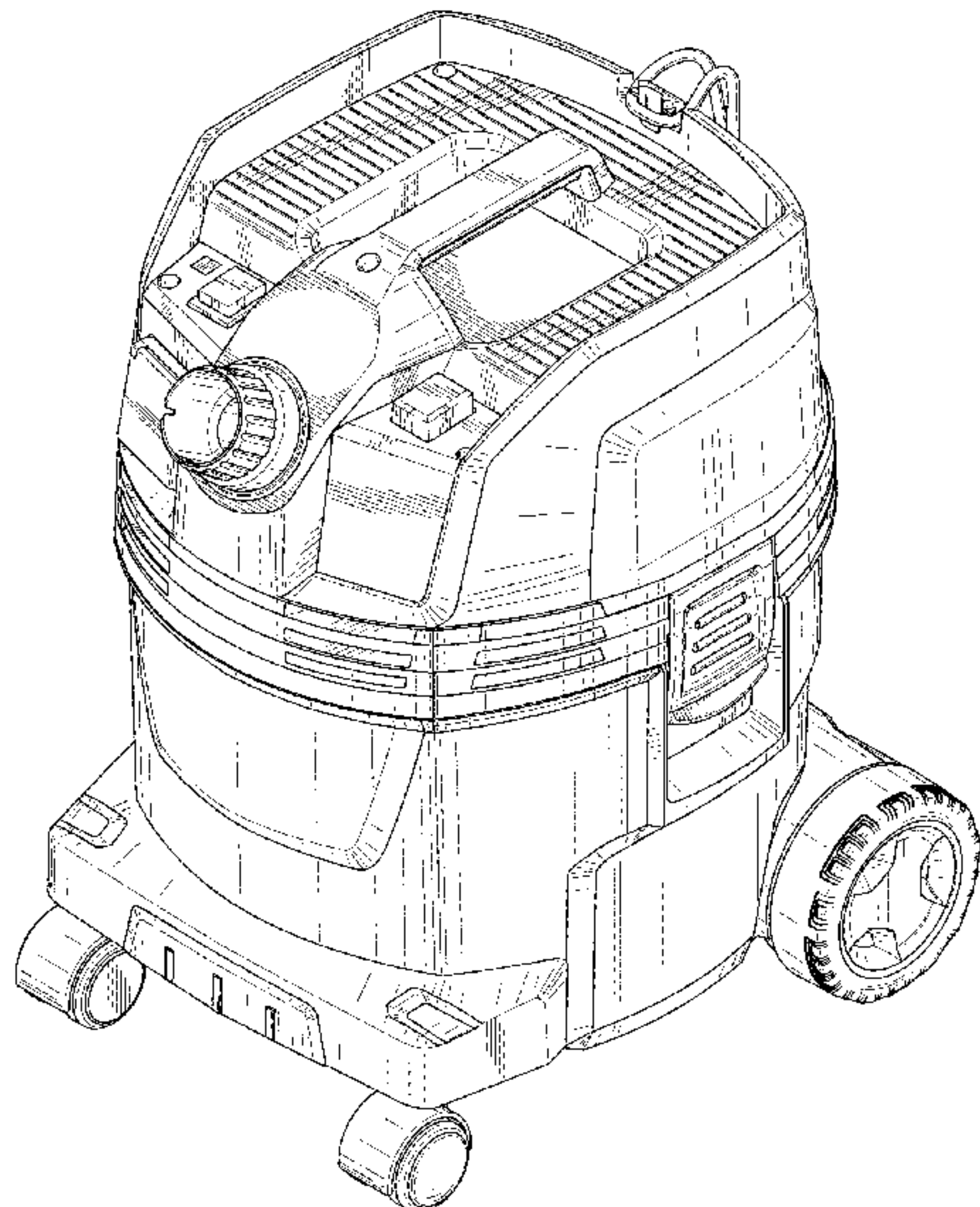
(57) **CLAIM**

The ornamental design for an electric vacuum cleaner, as shown and described.

**DESCRIPTION**

FIG. 1 is a front, top and left side perspective view of an electric vacuum cleaner showing the new design;  
 FIG. 2 is a front, top and right side perspective view thereof;  
 FIG. 3 is a front elevational view thereof;  
 FIG. 4 is a left side elevational view thereof;  
 FIG. 5 is a rear elevational view thereof;  
 FIG. 6 is a right side elevational view thereof; and,  
 FIG. 7 is a top plan view thereof.

**1 Claim, 7 Drawing Sheets**





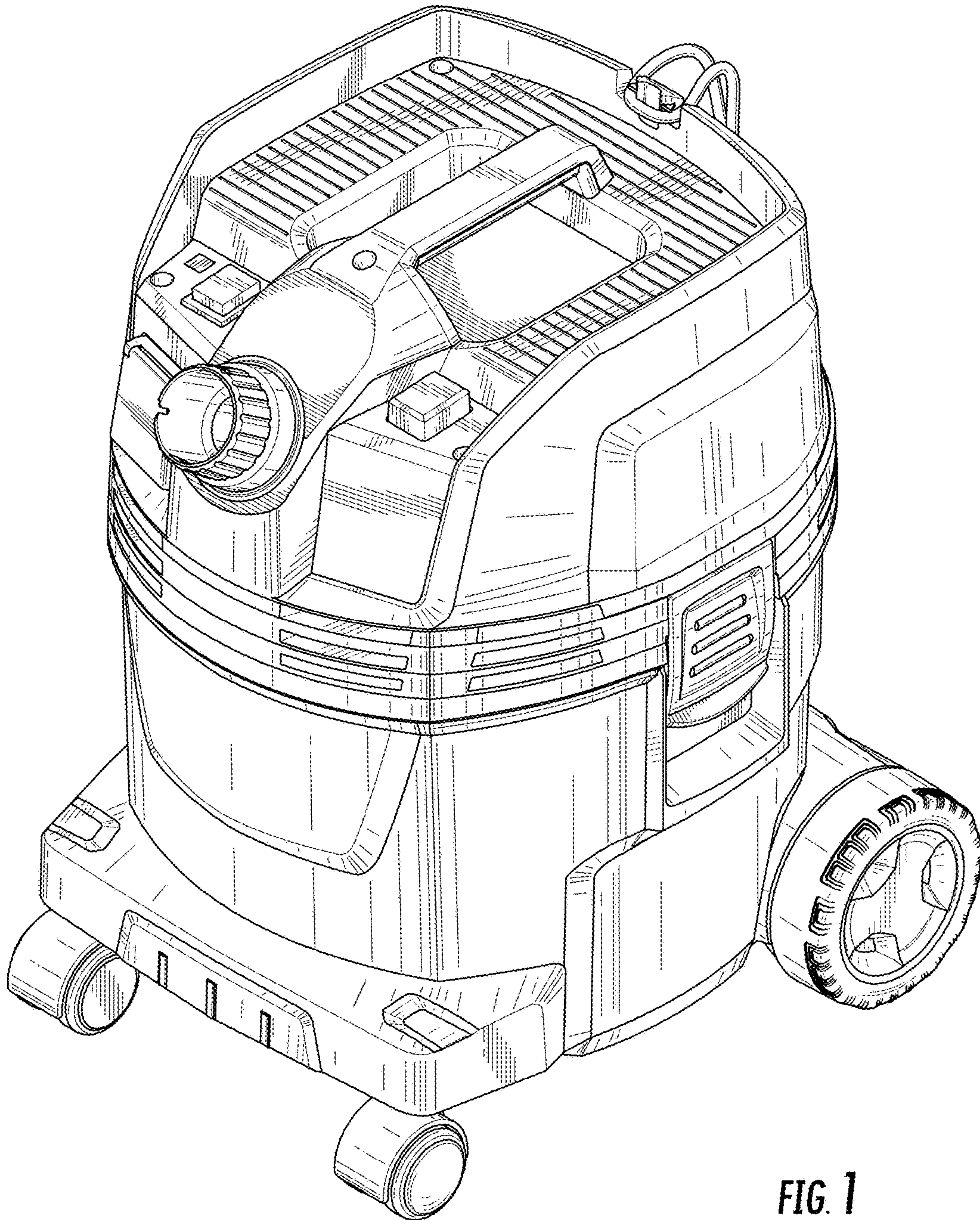


FIG. 1



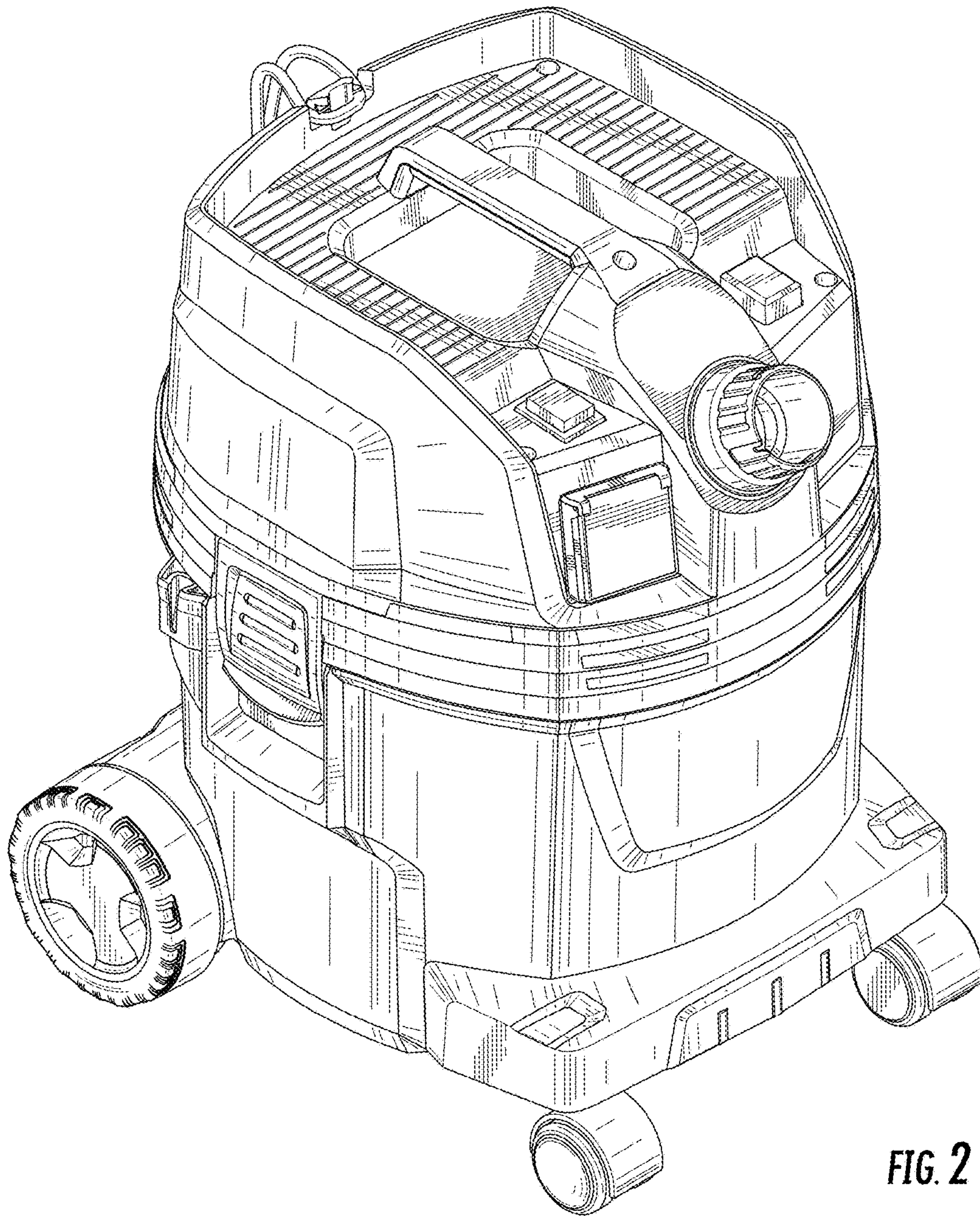


FIG. 2

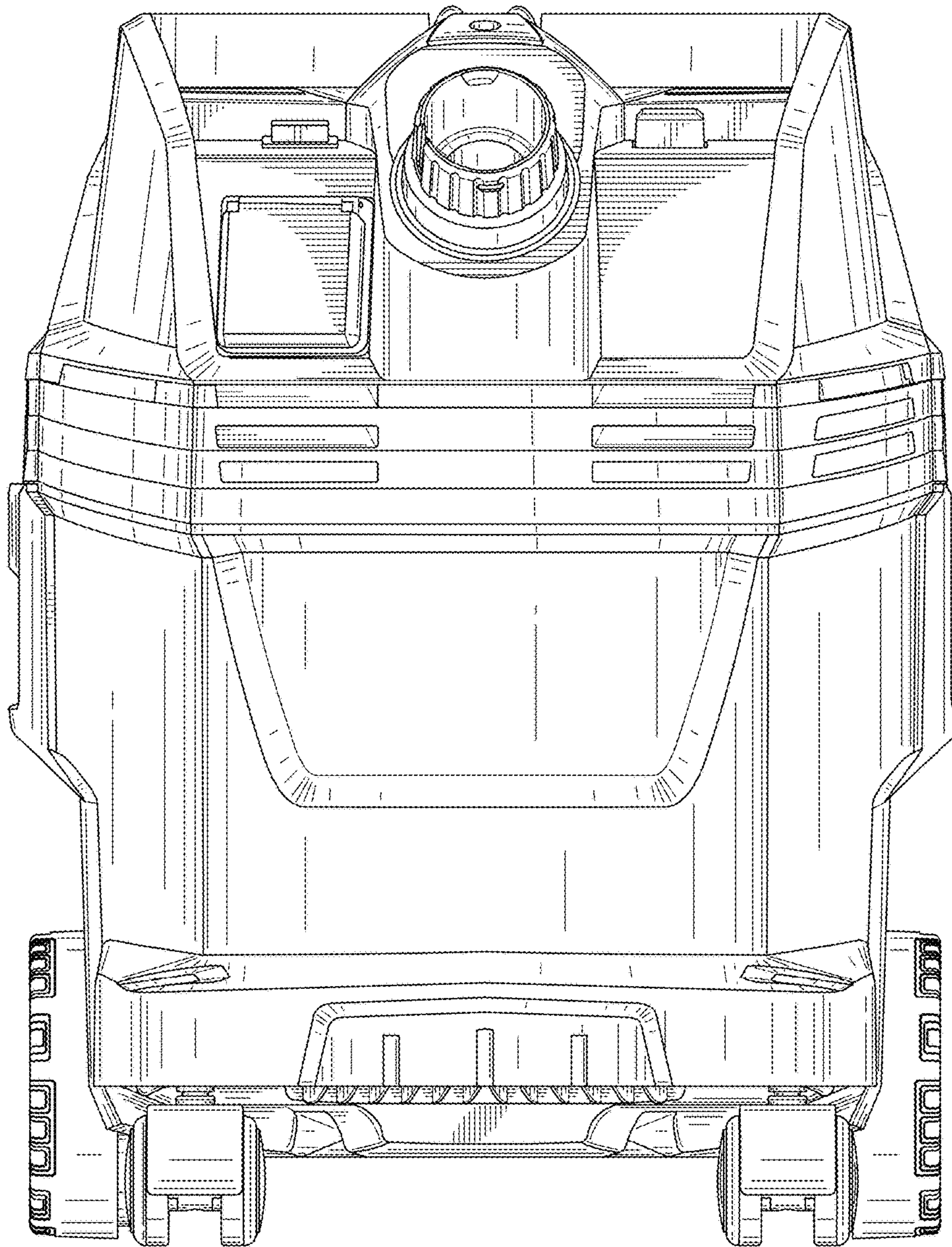


FIG. 3



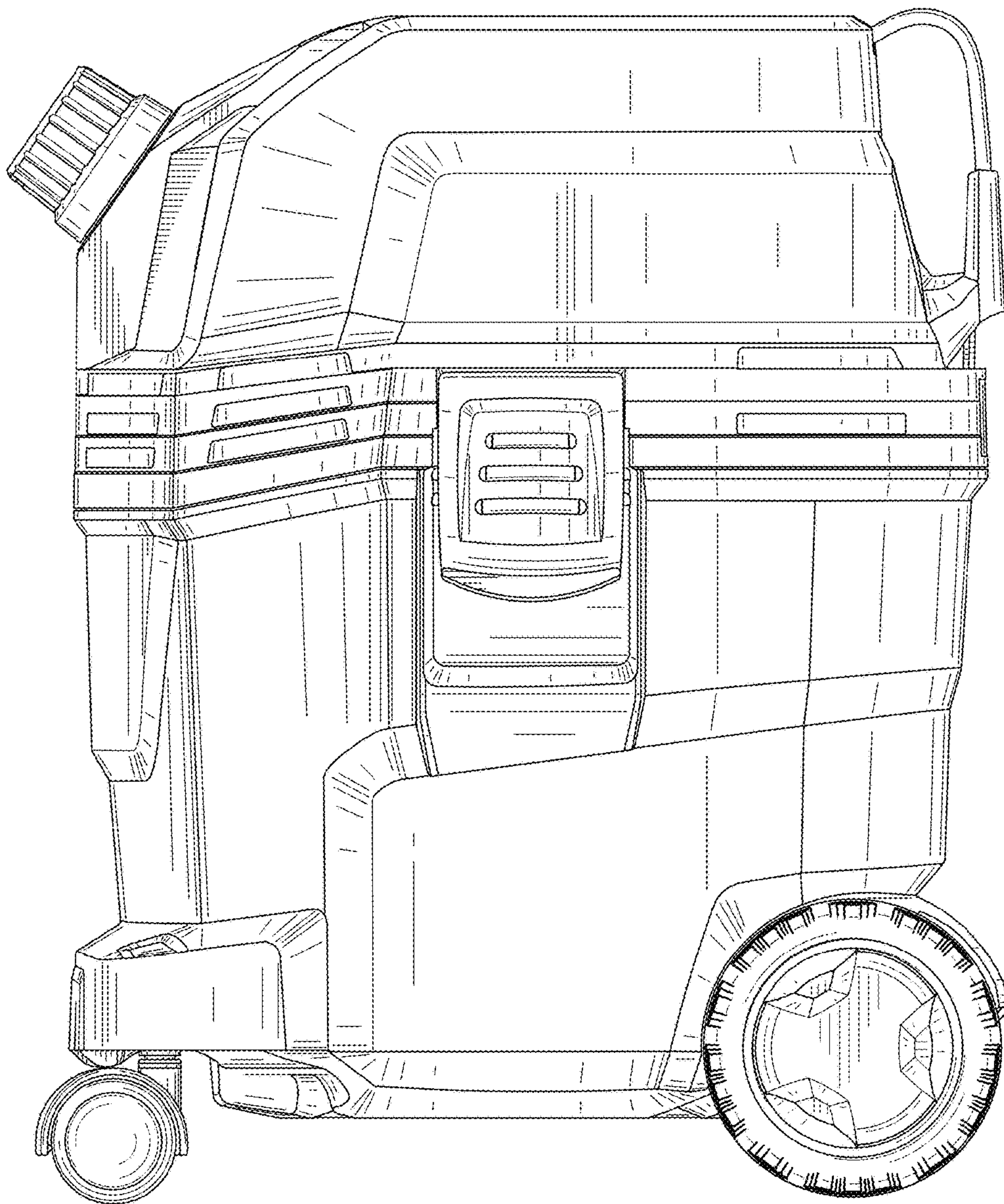


FIG. 4

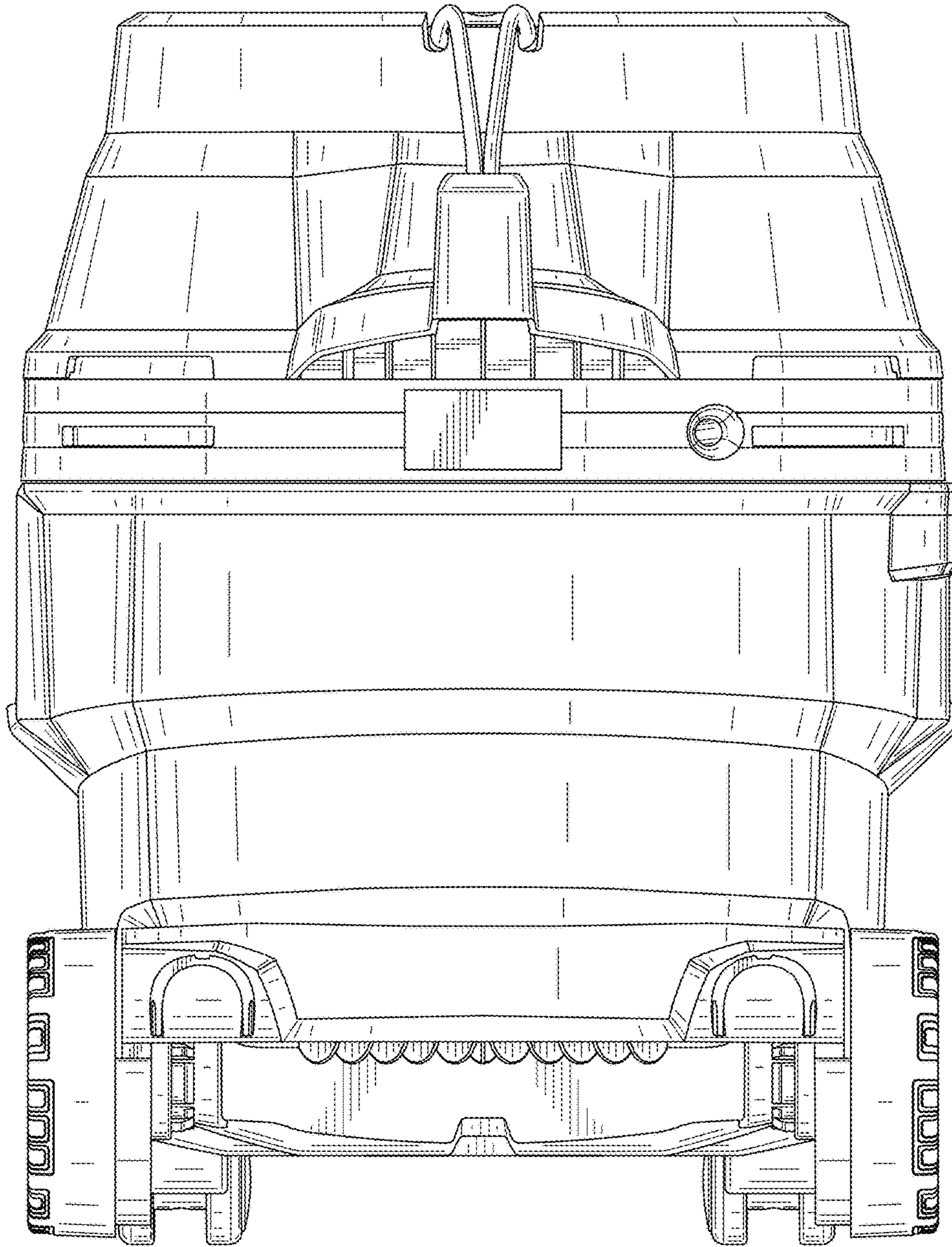


FIG. 5



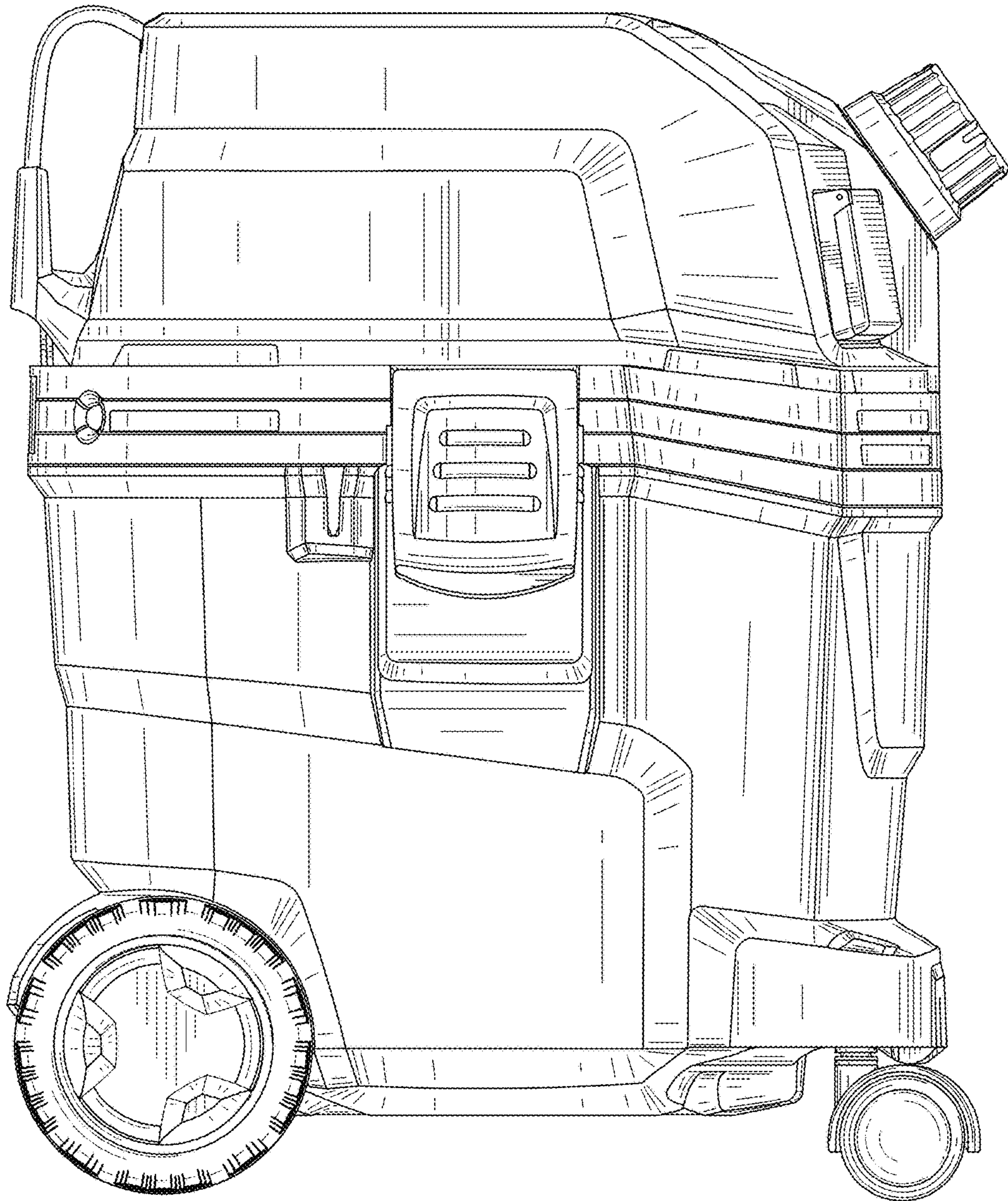
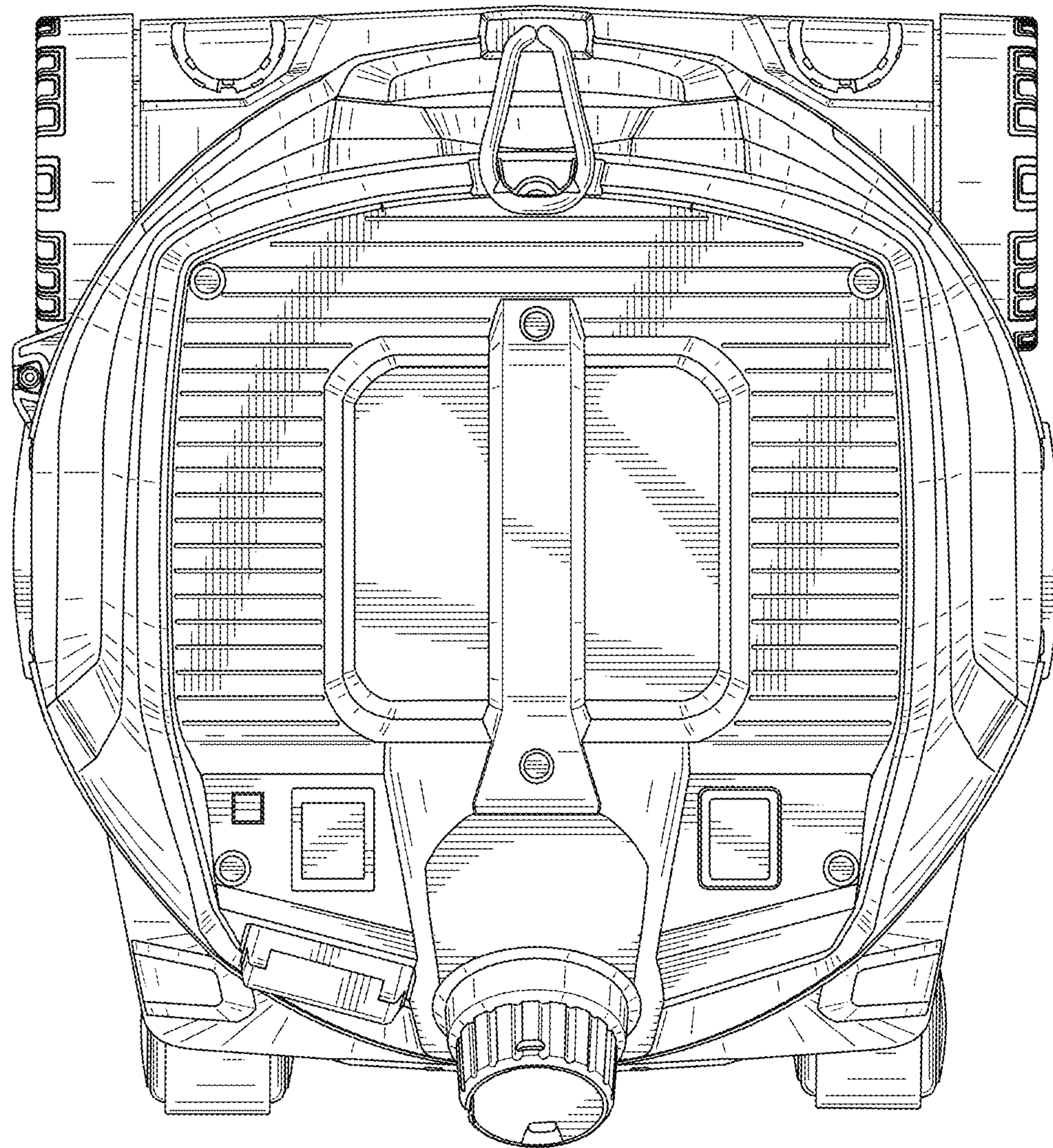


FIG. 6



**FIG. 7**