



US00D830014S

(12) **United States Design Patent**
Jin et al.

(10) **Patent No.:** **US D830,014 S**
(45) **Date of Patent:** **** Oct. 2, 2018**

(54) **ELECTRIC VACUUM CLEANER**
(71) Applicant: **Alfred Kaercher GmbH & Co. KG,**
Winnenden (DE)

(72) Inventors: **Zheyi Jin,** Backnang (DE); **Denis Dammkoehler,** Backnang (DE)

(73) Assignee: **Alfred Kaercher GmbH & Co. KG,**
Winnenden (DE)

(**) Term: **15 Years**

(21) Appl. No.: **29/601,351**

(22) Filed: **Apr. 21, 2017**

(30) **Foreign Application Priority Data**

Nov. 9, 2016 (WO) DM/093528

(51) **LOC (11) Cl.** **15-05**

(52) **U.S. Cl.**
USPC **D32/21**

(58) **Field of Classification Search**
USPC D32/21-24, 31
CPC E04H 4/1654; A47L 9/2842; A47L 9/26;
A47L 9/325; A47L 9/009; A47L 11/34;
A47L 5/362; A47L 5/365; A47L 7/0004;
A47L 7/0019

See application file for complete search history.

(56) **References Cited**

U.S. PATENT DOCUMENTS

D333,195 S *	2/1993	Oberdorfer-Bogel	D32/23
D333,890 S *	3/1993	Oberdorfer-Bogel	D32/23
D492,824 S *	7/2004	Tomasiak	D32/23
D506,857 S *	6/2005	Griffin	D32/23
D528,718 S *	9/2006	Tomasiak	D32/21
D568,013 S *	4/2008	Crevling, Jr.	D32/23
D581,608 S *	11/2008	Dammkoehler	D32/21
D667,597 S *	9/2012	Dammkoehler	D32/21
D669,646 S *	10/2012	Theising	D32/23

D675,388 S *	1/2013	Buck	D32/21
D715,505 S *	10/2014	Dammkoehler	D32/21
D746,523 S *	12/2015	Jin	D32/21
9,408,509 B2 *	8/2016	Plato et al.		
9,844,309 B2 *	12/2017	Plato	A47L 9/20

OTHER PUBLICATIONS

Bosch, photograph of an electric vacuum cleaner, 1 page, date unknown.

Alfred Kaercher GmbH & Co. KG, photographs of electric vacuum cleaners, 2 pages, date unknown.

Nilfisk, photograph of an electric vacuum cleaner, 1 page, date unknown.

Starmix, photograph of an electric vacuum cleaner, 1 page, date unknown.

Stihl, photograph of an electric vacuum cleaner, 1 page, date unknown.

* cited by examiner

Primary Examiner — Ruth McInroy

(74) *Attorney, Agent, or Firm* — Lipsitz & McAllister, LLC

(57) **CLAIM**

The ornamental design for an electric vacuum cleaner, as shown and described.

DESCRIPTION

FIG. 1 is a front, top and left side perspective view of an electric vacuum cleaner showing the new design;

FIG. 2 is a front, top and right side perspective view thereof;

FIG. 3 is a front elevational view thereof;

FIG. 4 is a left side elevational view thereof;

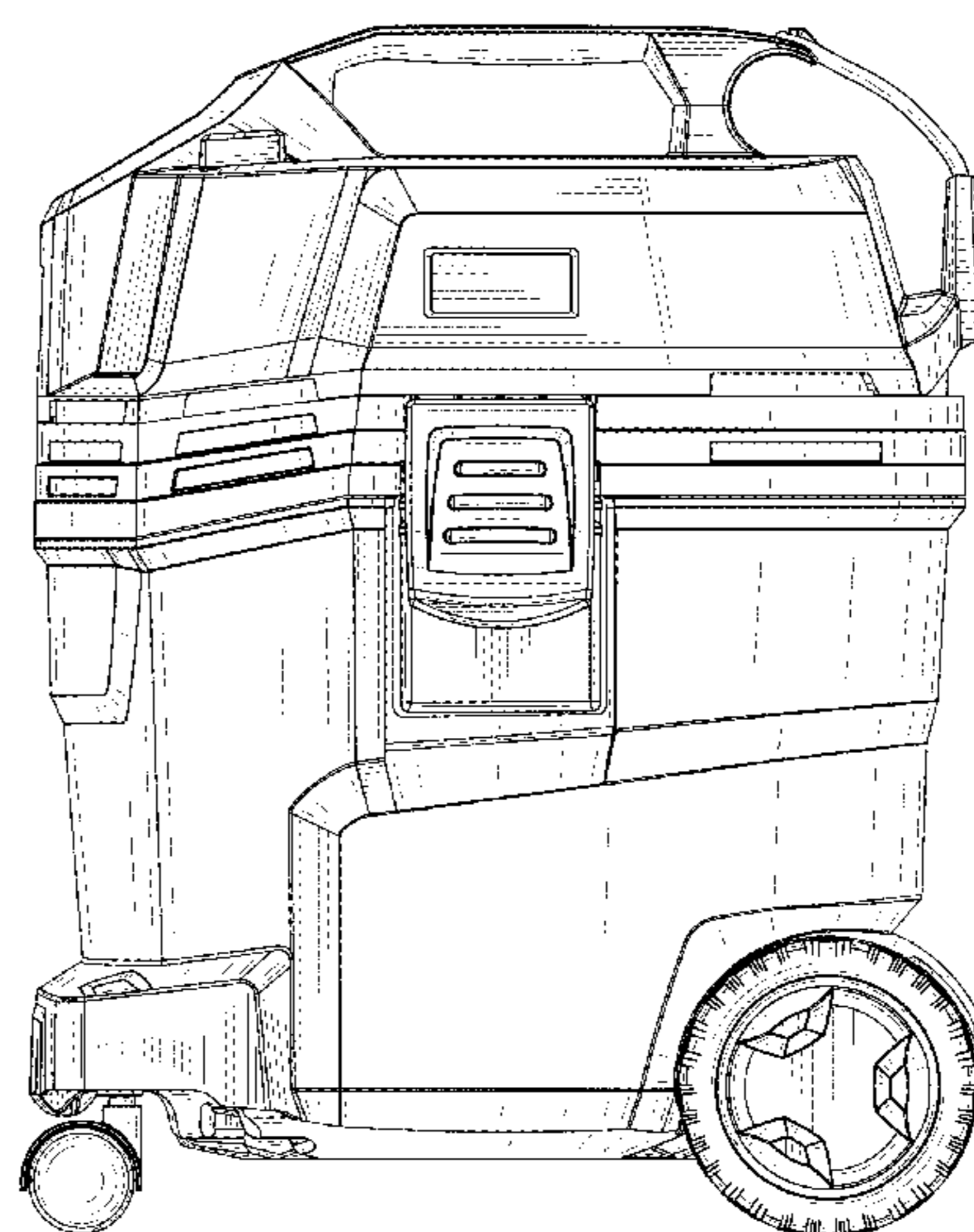
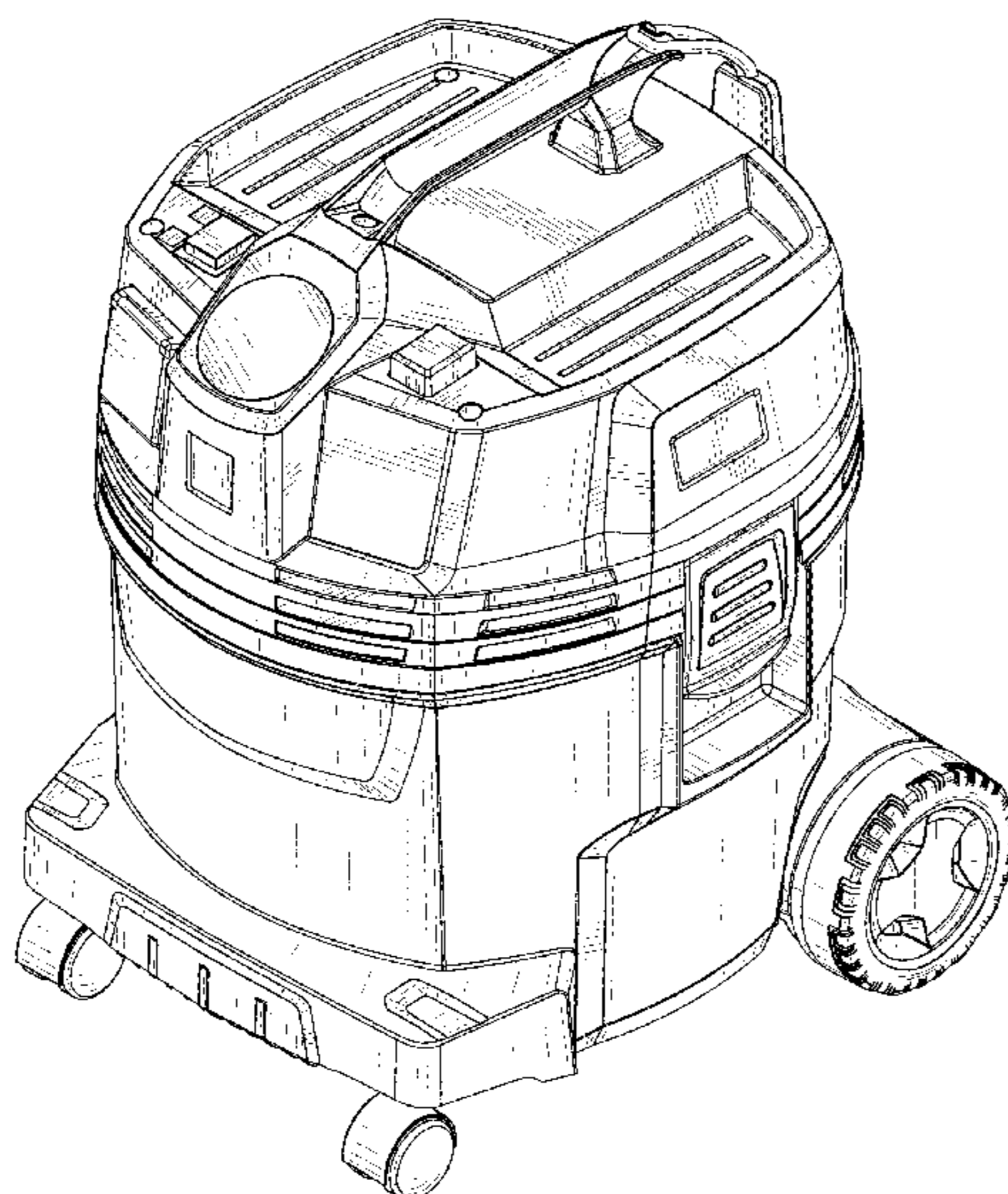
FIG. 5 is a rear elevational view thereof;

FIG. 6 is a right side elevational view thereof; and,

FIG. 7 is a top plan view thereof.

The broken line showing of certain features in FIGS. 5 and 6 forms no part of the claimed design.

1 Claim, 7 Drawing Sheets



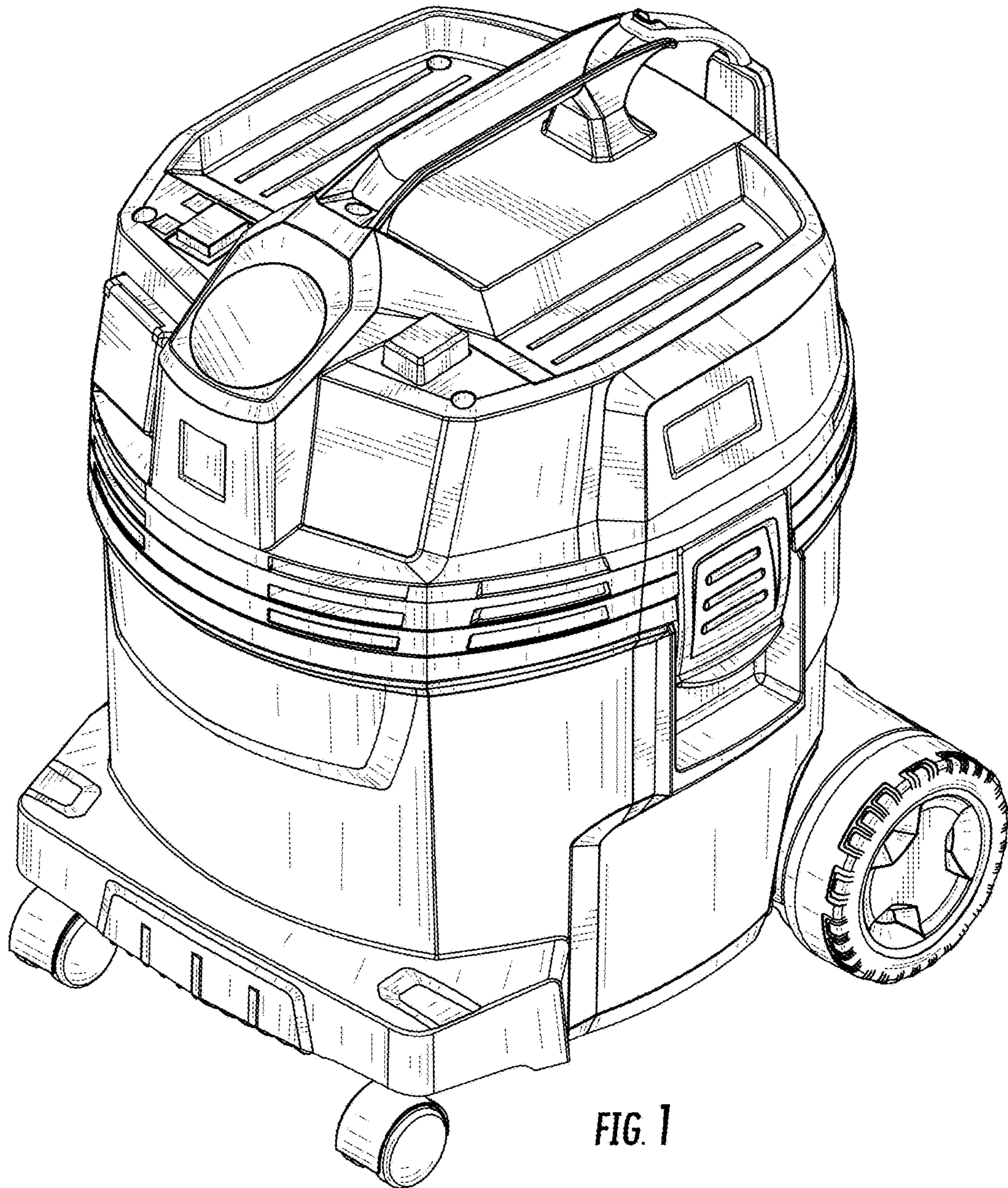


FIG. 1

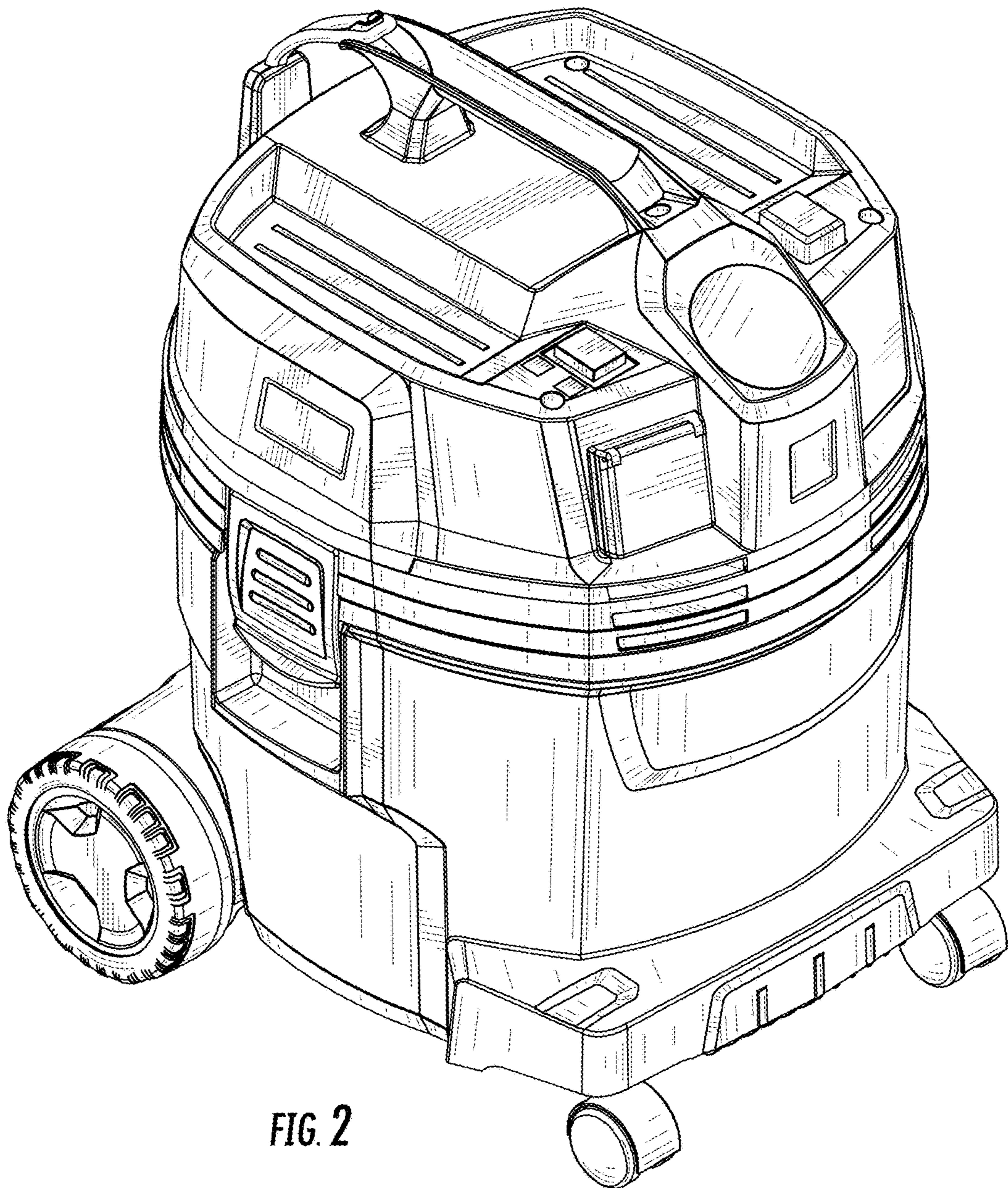


FIG. 2

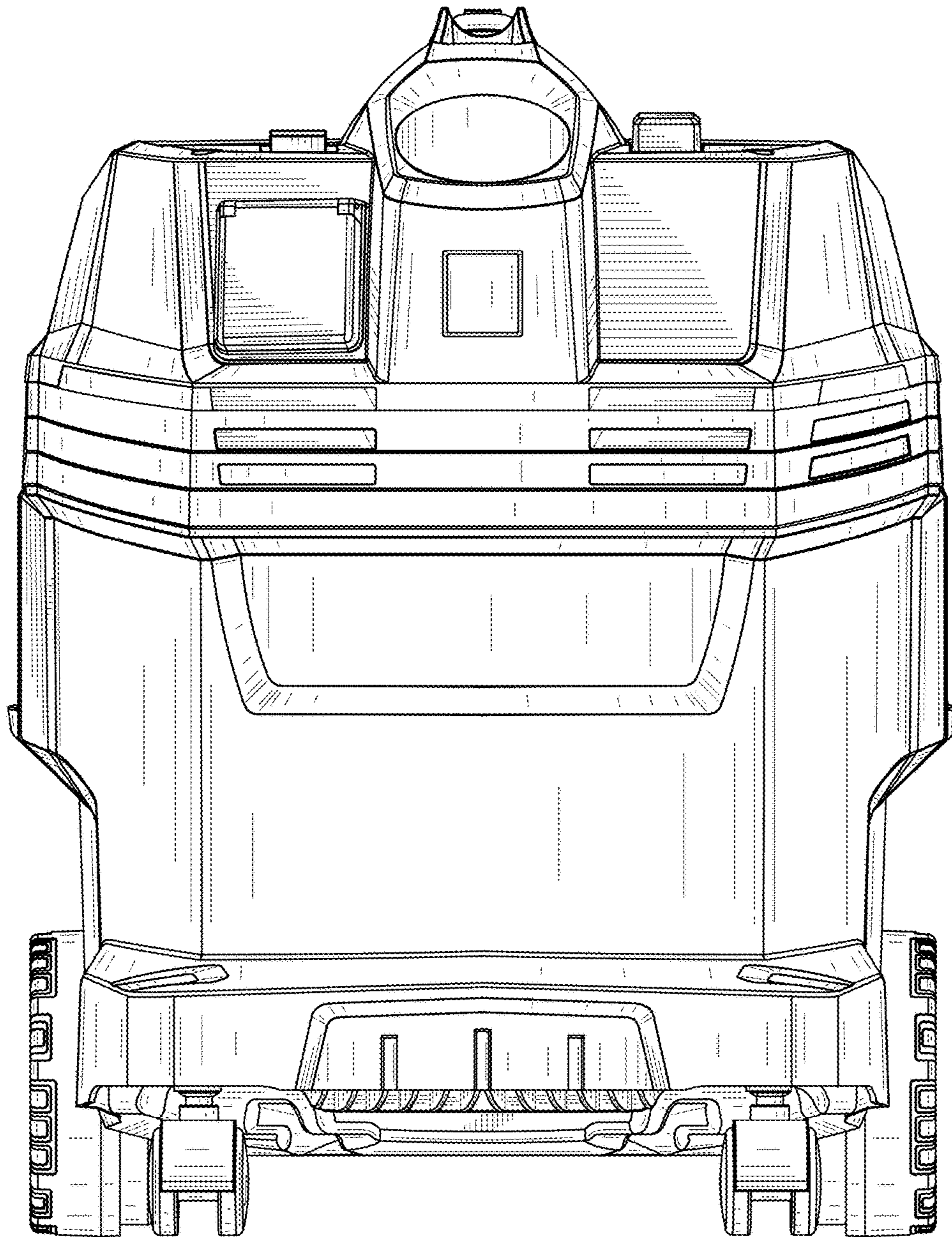


FIG. 3

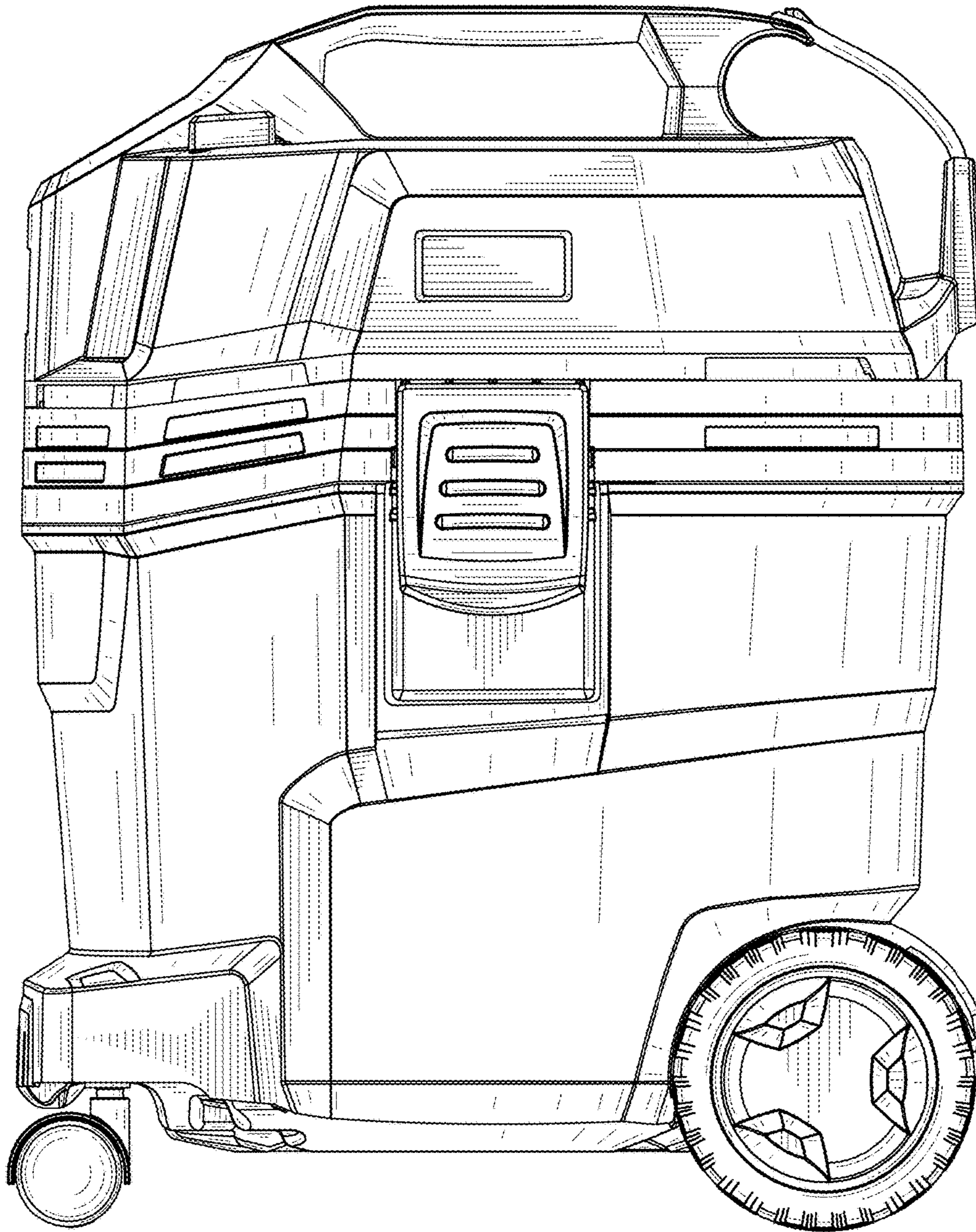


FIG. 4

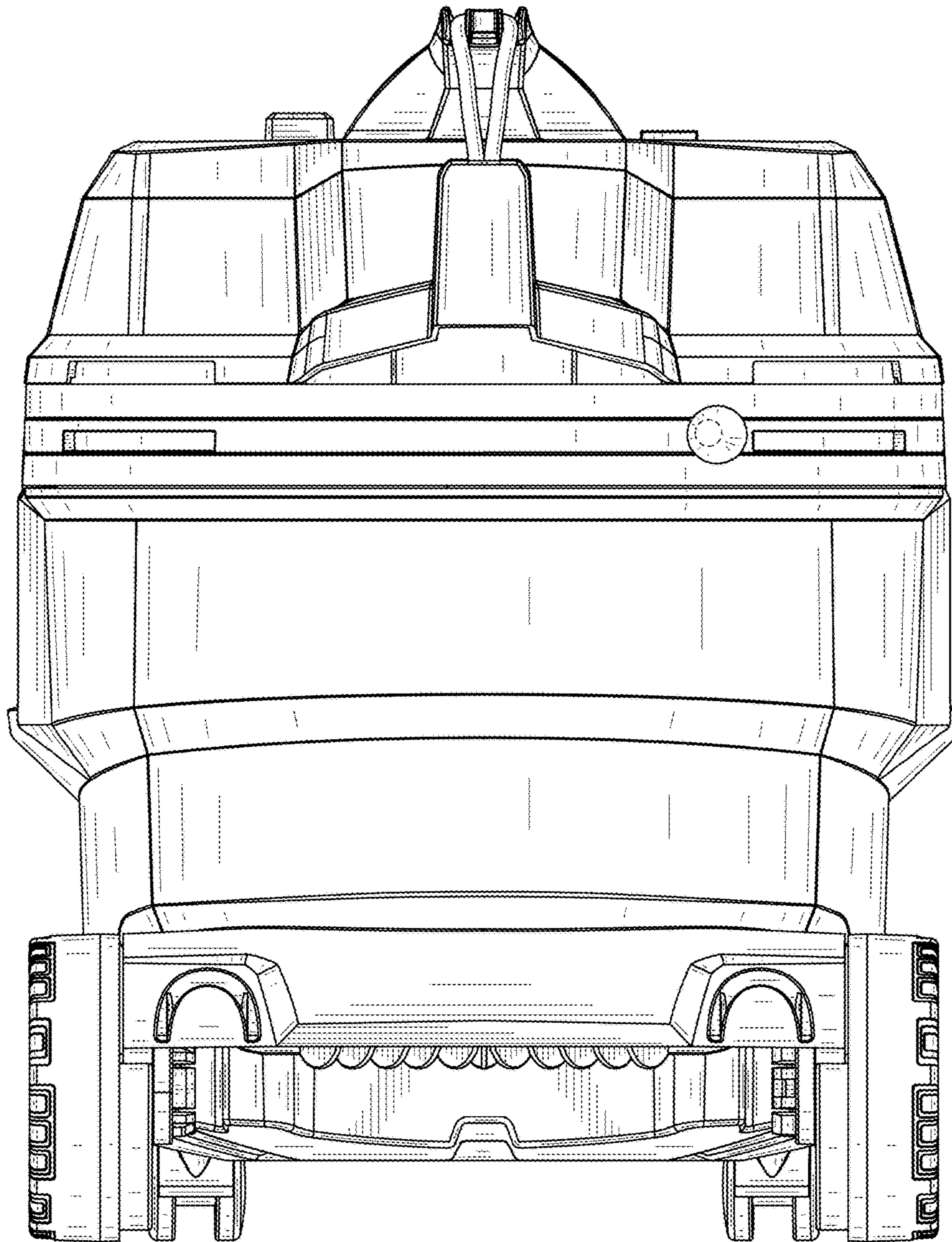


FIG. 5

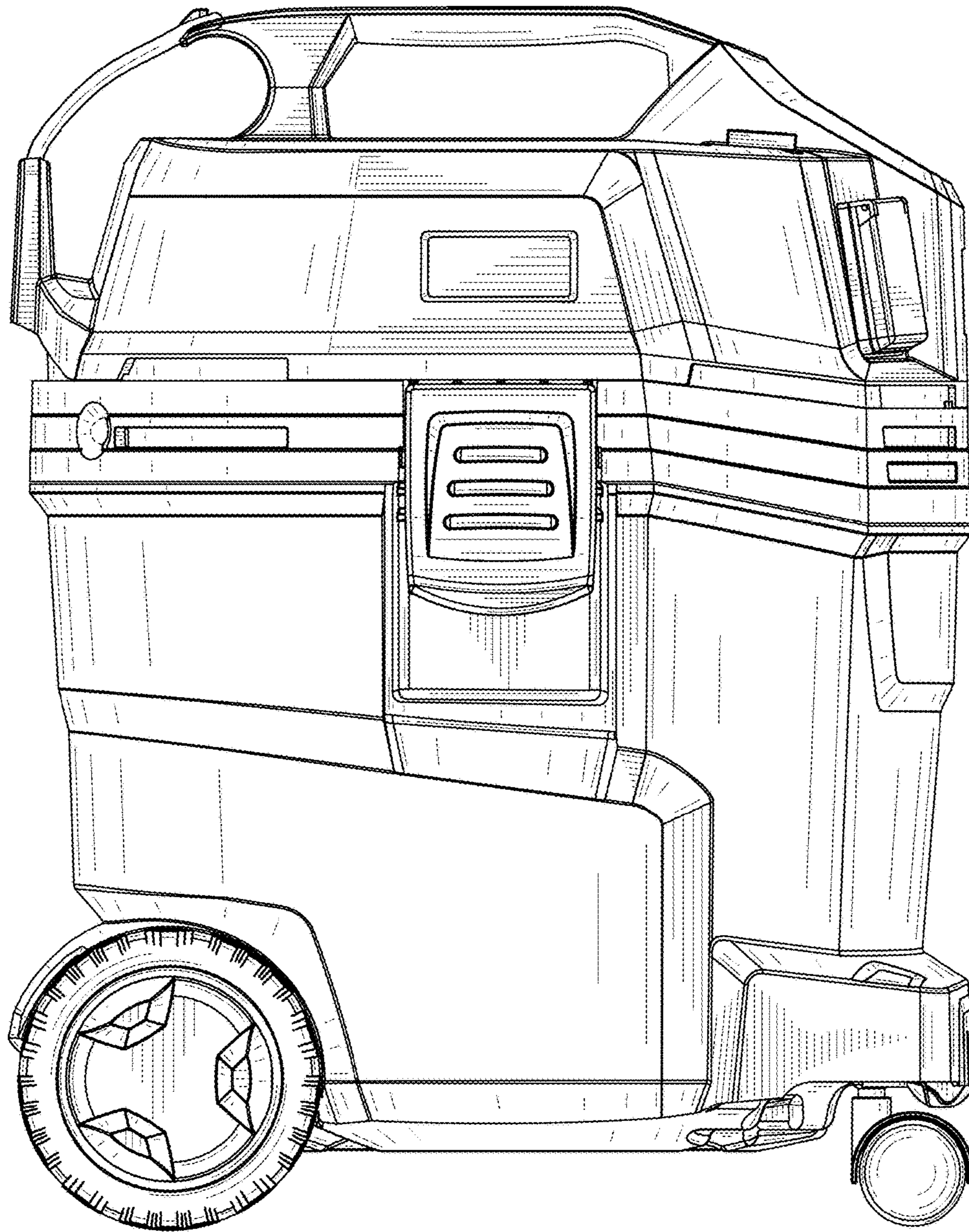


FIG. 6

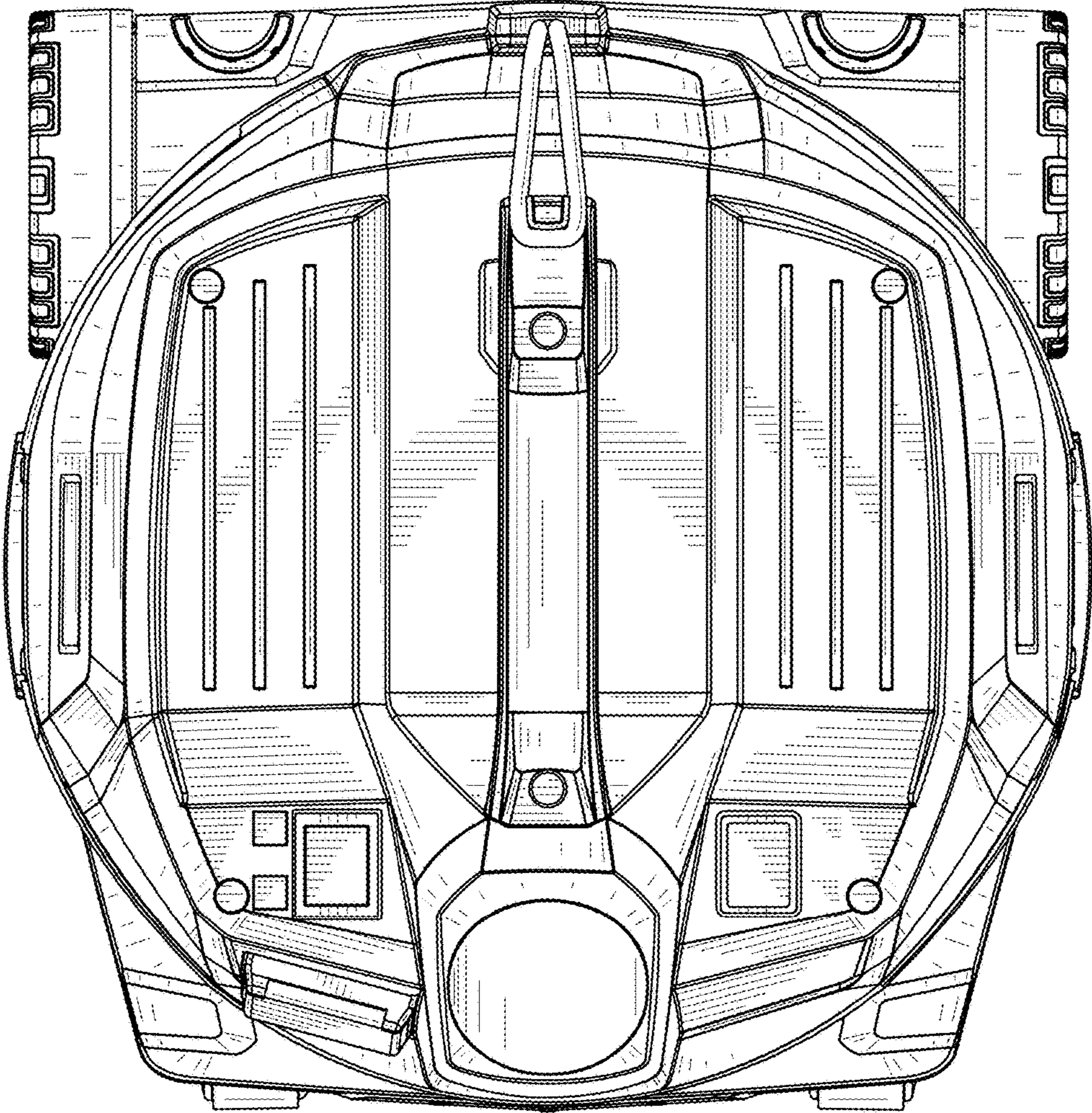


FIG. 7