



US00D830010S

(12) **United States Design Patent** (10) **Patent No.:** **US D830,010 S**  
**Kerr** (45) **Date of Patent:** **\*\* Oct. 2, 2018**

(54) **LITTER SCOOPER STAND**  
(71) Applicant: **Peter Kerr**, Seattle, WA (US)  
(72) Inventor: **Peter Kerr**, Seattle, WA (US)  
(\*\*) Term: **15 Years**  
(21) Appl. No.: **29/647,201**

D439,707 S 3/2001 Hansen et al.  
D459,841 S \* 7/2002 Ross ..... D30/129  
D467,044 S 12/2002 Tangolics  
D467,687 S 12/2002 Tangolics  
D471,677 S 3/2003 Northrop  
D472,021 S 3/2003 Northrop  
D541,103 S \* 4/2007 Rapaz ..... D7/354  
D563,717 S \* 3/2008 Rapaz ..... D7/354  
D607,616 S 1/2010 Newsome et al.  
D629,974 S \* 12/2010 Northrop ..... D30/121  
D636,945 S 4/2011 Anderson et al.

(Continued)

(22) Filed: **May 10, 2018**  
(51) **LOC (11) Cl.** ..... **30-99**  
(52) **U.S. Cl.**  
USPC ..... **D30/161**

(58) **Field of Classification Search**  
USPC ..... D30/161, 162, 121, 122, 129-133;  
119/61.5, 51.01, 61.56, 51.03, 59, 62, 63,  
119/51.5, 57.8, 74, 61.54, 61.55;  
312/204; 248/151, 188; 220/23.87, 630,  
220/737, 743, 9.4, 495.01, 574, 212, 255,  
220/23.83; 206/515; D7/586, 543,  
D7/550.1, 587, 505, 584, 545, 500,  
D7/553.1-553.8, 546, 555, 556, 504, 565,  
D7/562, 602, 354, 554.3; D9/429;  
43/109; D22/122; 99/430, DIG. 15  
CPC .. A01K 1/0114; A01K 1/0155; A01K 1/0152;  
E01H 1/1206; E01H 2001/1293  
See application file for complete search history.

**OTHER PUBLICATIONS**

Amazon.com, CatGuru New Premium Litter Scoops Holder, Jul. 26, 2018, <https://www.amazon.com/CatGuru-Premium-Scooper-covered-scoopers/dp/B07CQ77BBX/> (Year: 2018).\*

*Primary Examiner* — David G Muller  
*Assistant Examiner* — Nathan M Johnston  
(74) *Attorney, Agent, or Firm* — Michael J. Feigin, Esq.; Feigin and Fridman

(57) **CLAIM**

The ornamental design for a litter scooper stand, as shown and described.

**DESCRIPTION**

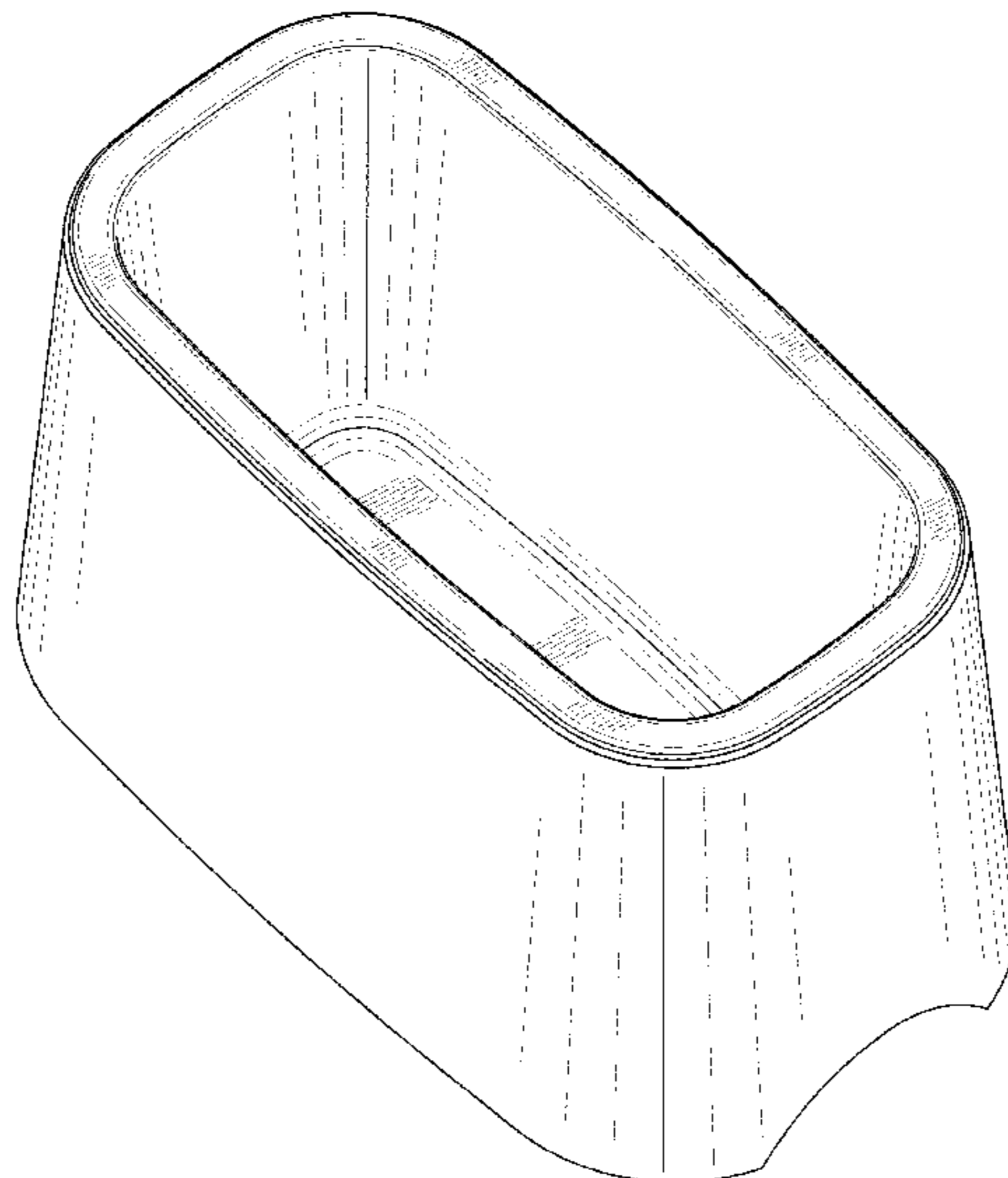
FIG. 1 shows a top and side perspective view of a litter scooper stand showing my new design.  
FIG. 2 is a bottom and side perspective view thereof.  
FIG. 3 is a top plan view thereof.  
FIG. 4 is a bottom plan view thereof.  
FIG. 5 is a first side elevation view thereof, the opposite side elevation view being a mirror image thereof.  
FIG. 6 shows a second side elevation view thereof, the opposite side elevation view being a mirror image thereof; and,  
FIG. 7 shows a cross section of section line 7-7 of FIG. 3.

(56) **References Cited**

**U.S. PATENT DOCUMENTS**

D103,562 S \* 3/1937 Cook ..... D30/129  
D103,600 S \* 3/1937 Shields, Jr. .... D30/129  
D232,564 S \* 8/1974 Kissen ..... D30/129  
4,257,353 A 3/1981 Imhoff  
D299,768 S \* 2/1989 Windom ..... D27/134  
D340,761 S \* 10/1993 Long ..... D23/206  
D352,516 S \* 11/1994 Newman ..... D24/218  
D371,220 S \* 6/1996 Behrens ..... D19/77  
D374,517 S 10/1996 Morrill  
D413,416 S \* 8/1999 Frank ..... D30/129

**1 Claim, 7 Drawing Sheets**



(56)

**References Cited**

U.S. PATENT DOCUMENTS

D646,852 S	10/2011	Chance et al.	
D648,492 S	11/2011	Able	
D655,054 S	2/2012	Lipscomb et al.	
D682,485 S	5/2013	Wyggle	
D705,500 S	5/2014	Gambino	
D757,373 S	5/2016	Breit	
D758,674 S	6/2016	Youn	
D771,878 S	* 11/2016	Zhang .....	D30/129
D782,127 S	3/2017	Wechsler	
D782,749 S	3/2017	Michizoe	
D802,853 S	11/2017	MacNeil et al.	
D805,700 S	12/2017	Owens, III	
D816,279 S	4/2018	Peninger	

\* cited by examiner

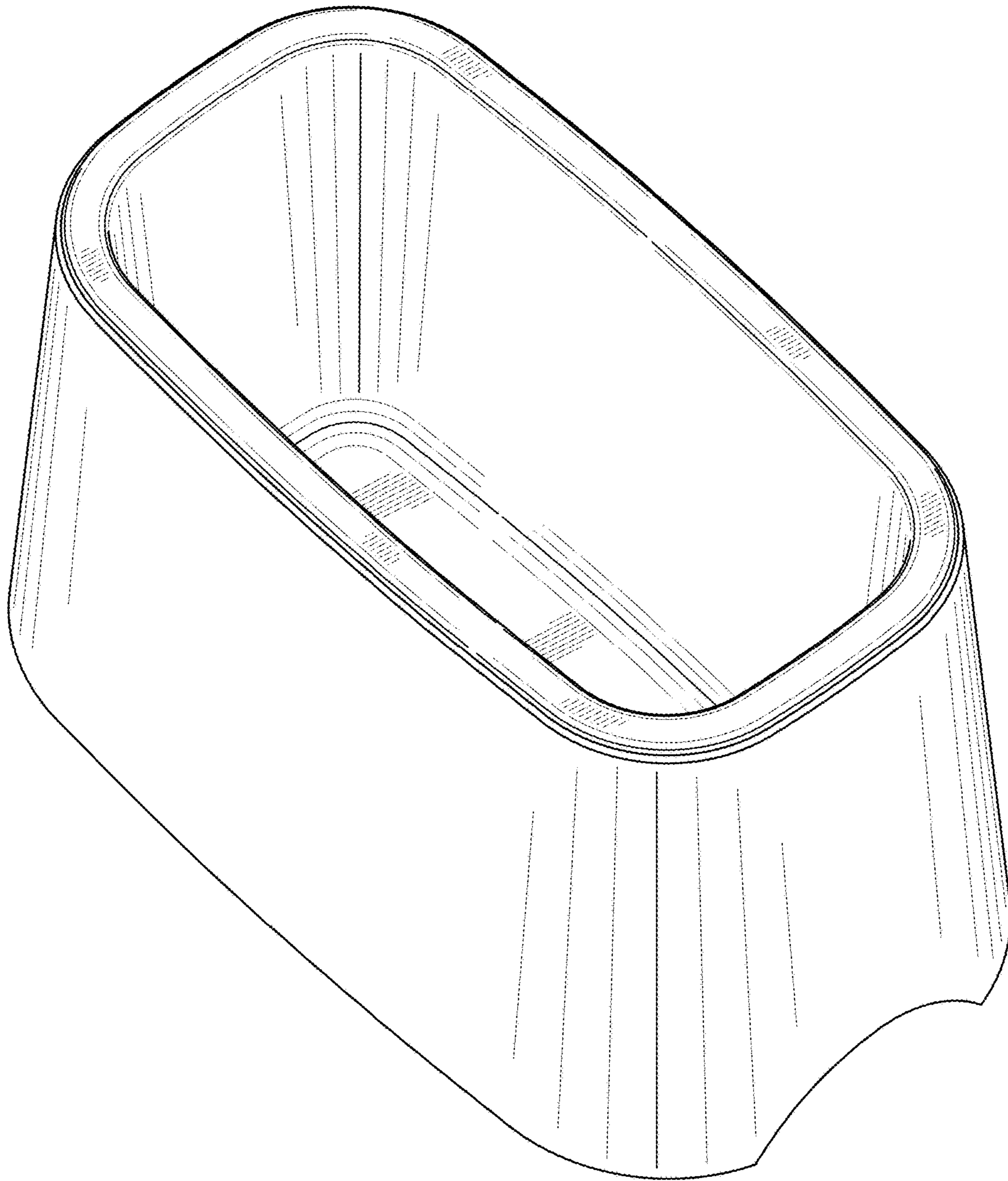


FIG. 1

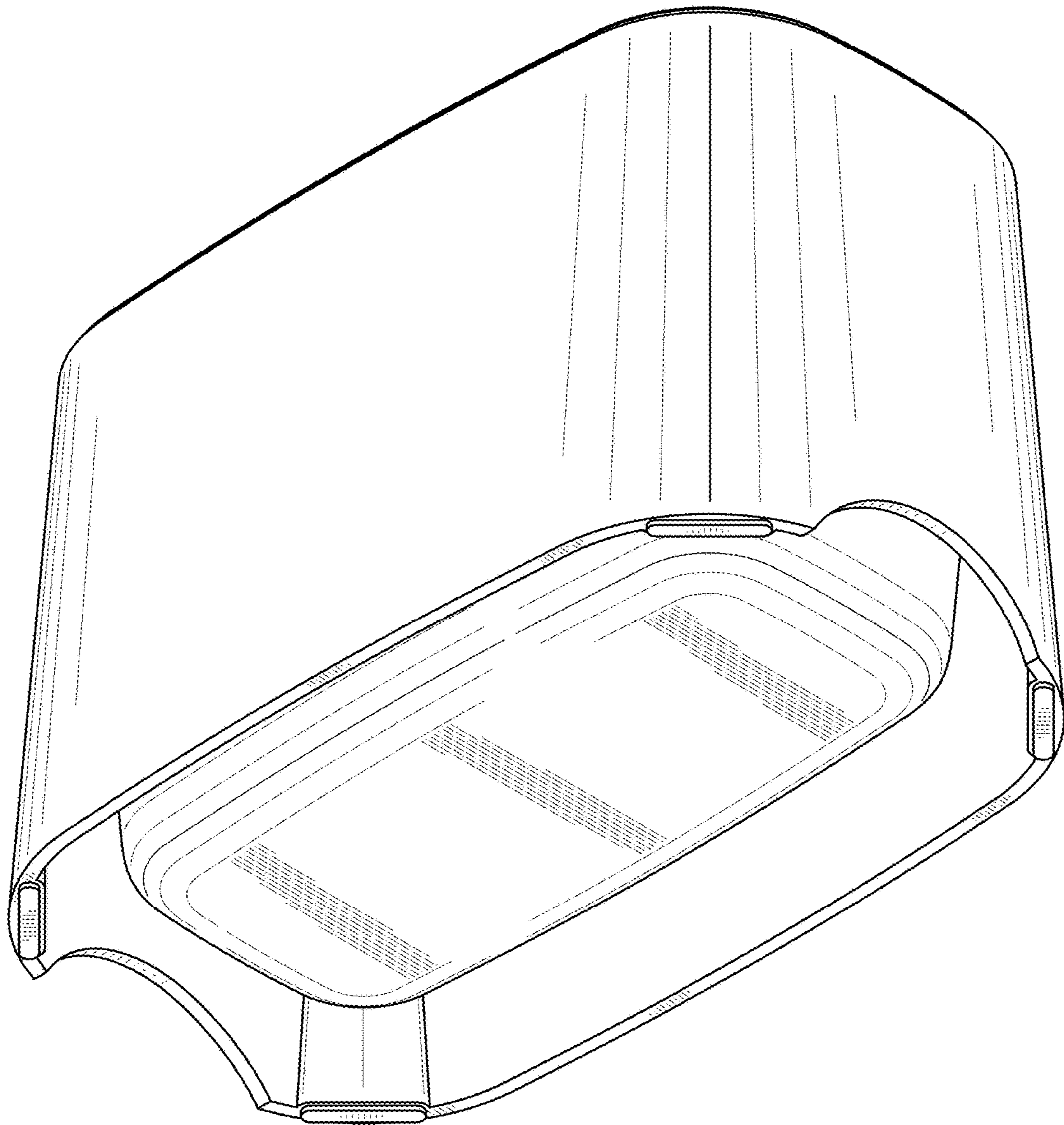
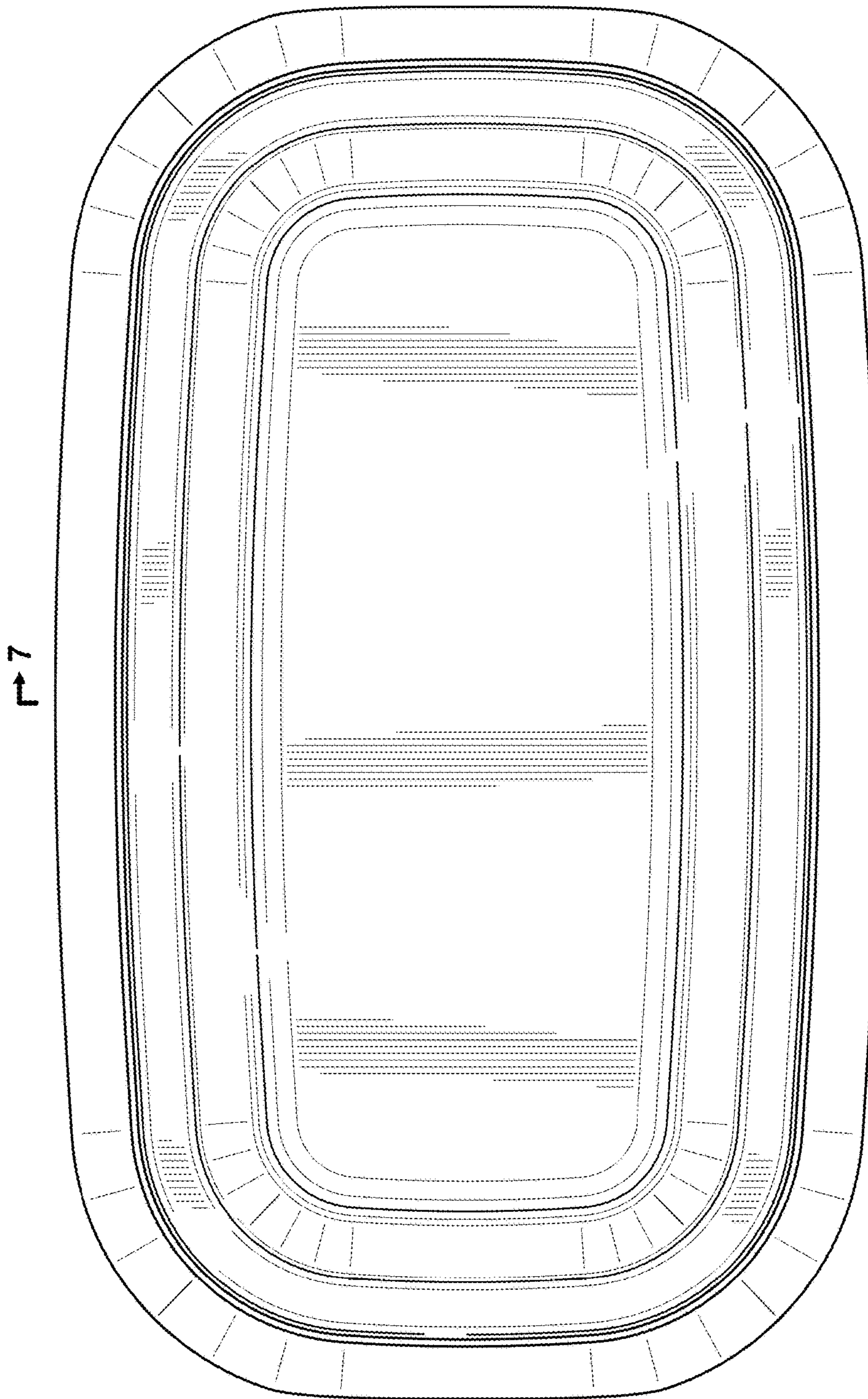


FIG. 2



7

7

FIG. 3

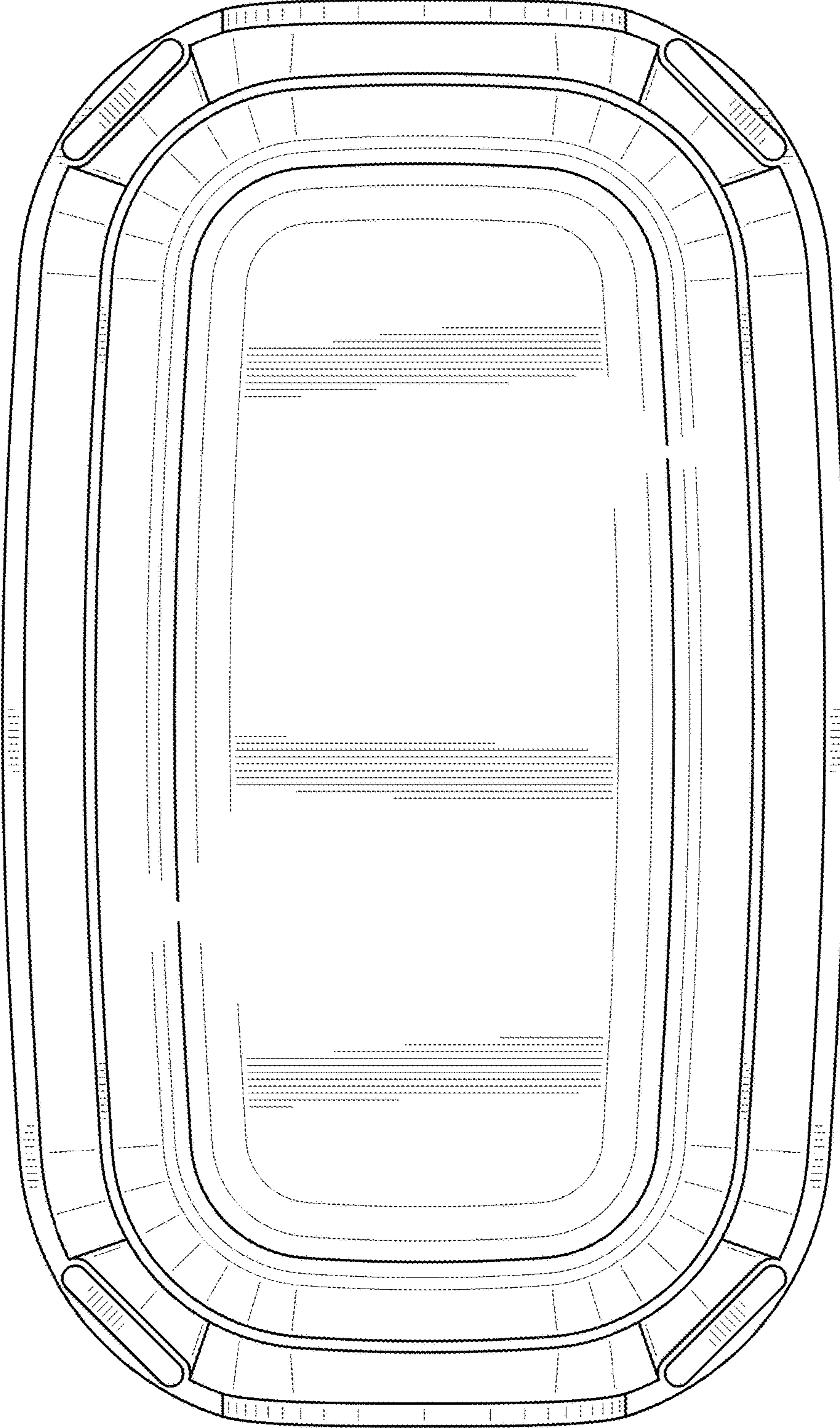


FIG. 4



FIG. 5

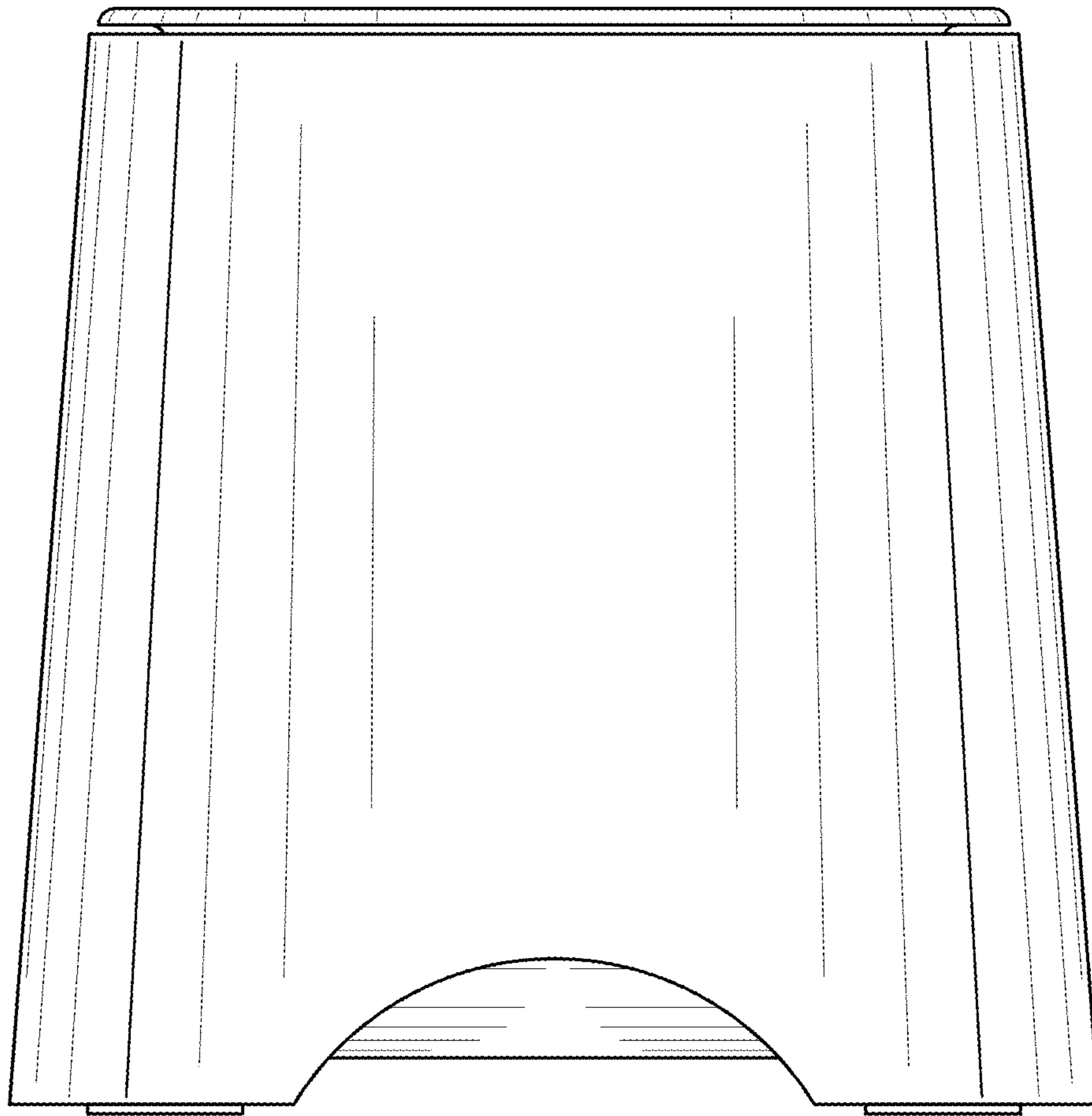


FIG. 6



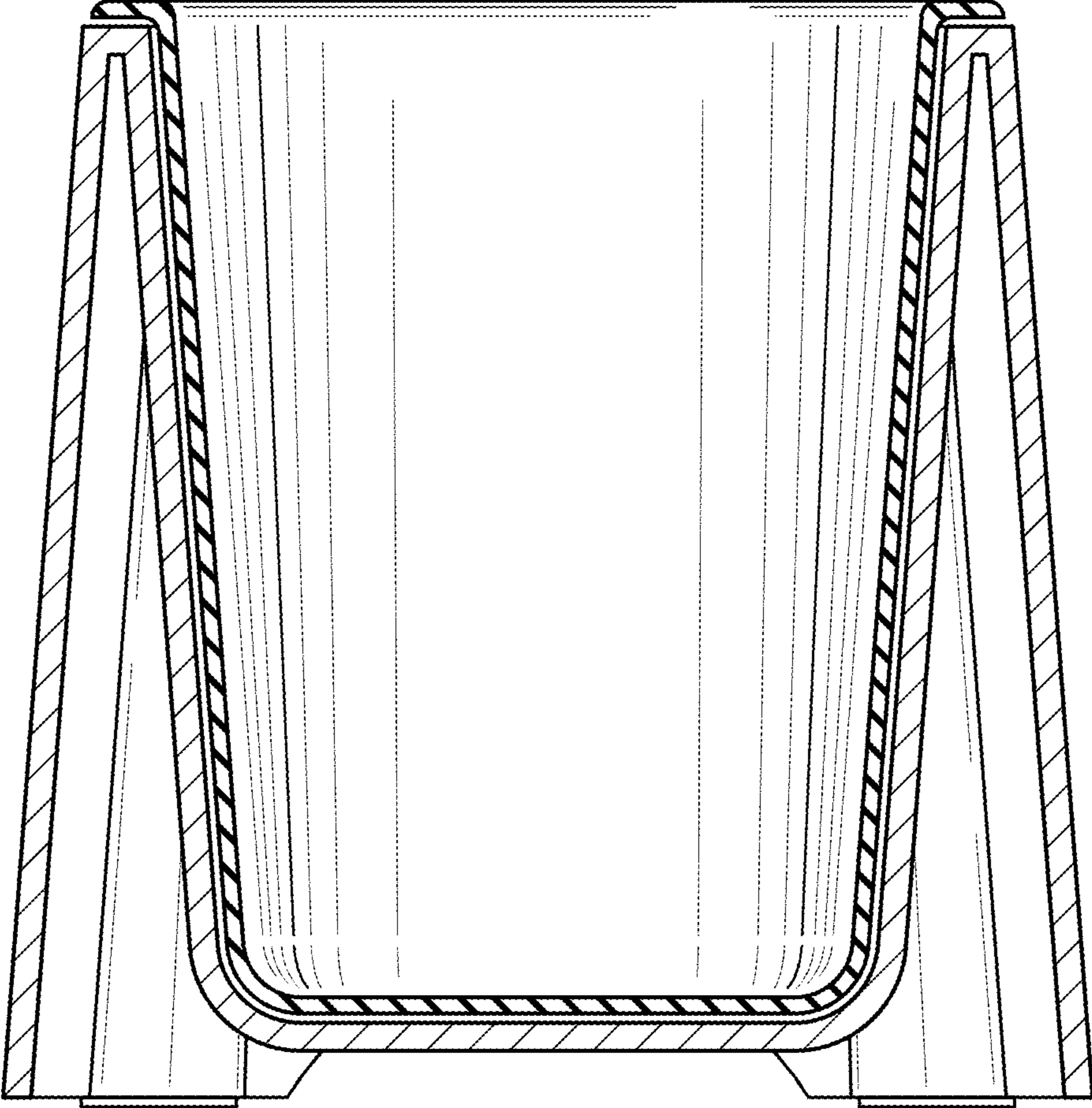


FIG. 7