



US00D830009S

(12) **United States Design Patent** (10) **Patent No.:** **US D830,009 S**
Olson (45) **Date of Patent:** **** Oct. 2, 2018**

(54) **ANIMAL LITTER BOX**
(71) Applicant: **Kitangle, LLC**, Bennett, CO (US)
(72) Inventor: **Kristin Olson**, Bennett, CO (US)
(73) Assignee: **Kitangle, LLC**, Bennett, CO (US)
(**) Term: **15 Years**
(21) Appl. No.: **29/575,384**
(22) Filed: **Aug. 24, 2016**
(51) **LOC (11) Cl.** **30-99**
(52) **U.S. Cl.**
USPC **D30/161**
(58) **Field of Classification Search**
USPC D30/161, 108, 109, 112, 118; D9/430;
119/161, 163, 164, 165, 167, 168, 169,
119/170, 166, 28.5; D7/545, 554.3, 605
CPC A01K 1/0121; A01K 1/011; A01K 1/0117;
A01K 1/0114; A01K 1/0125; A01K
1/0155; A01K 1/0154; A01K 29/00
See application file for complete search history.

D471,451 S * 3/2003 Hadelor D9/430
6,561,130 B1 * 5/2003 Sage, Jr. A01K 1/0107
119/166
D510,985 S * 10/2005 Sutopo D23/284
(Continued)

OTHER PUBLICATIONS

Corner Kitty Pet Products, [online], [site visited Jan. 25, 2018].
Available from Internet, URL:<http://kitangle.com/product-category/corner-kitty/?v=402f03a963ba>.*

(Continued)

Primary Examiner — Caron D Veynar
Assistant Examiner — Katrina N Gonzalez
(74) *Attorney, Agent, or Firm* — Kutak Rock LLP; Neil L. Arney

(57) **CLAIM**

What is claimed is the ornamental design for an animal litter box, as shown.

DESCRIPTION

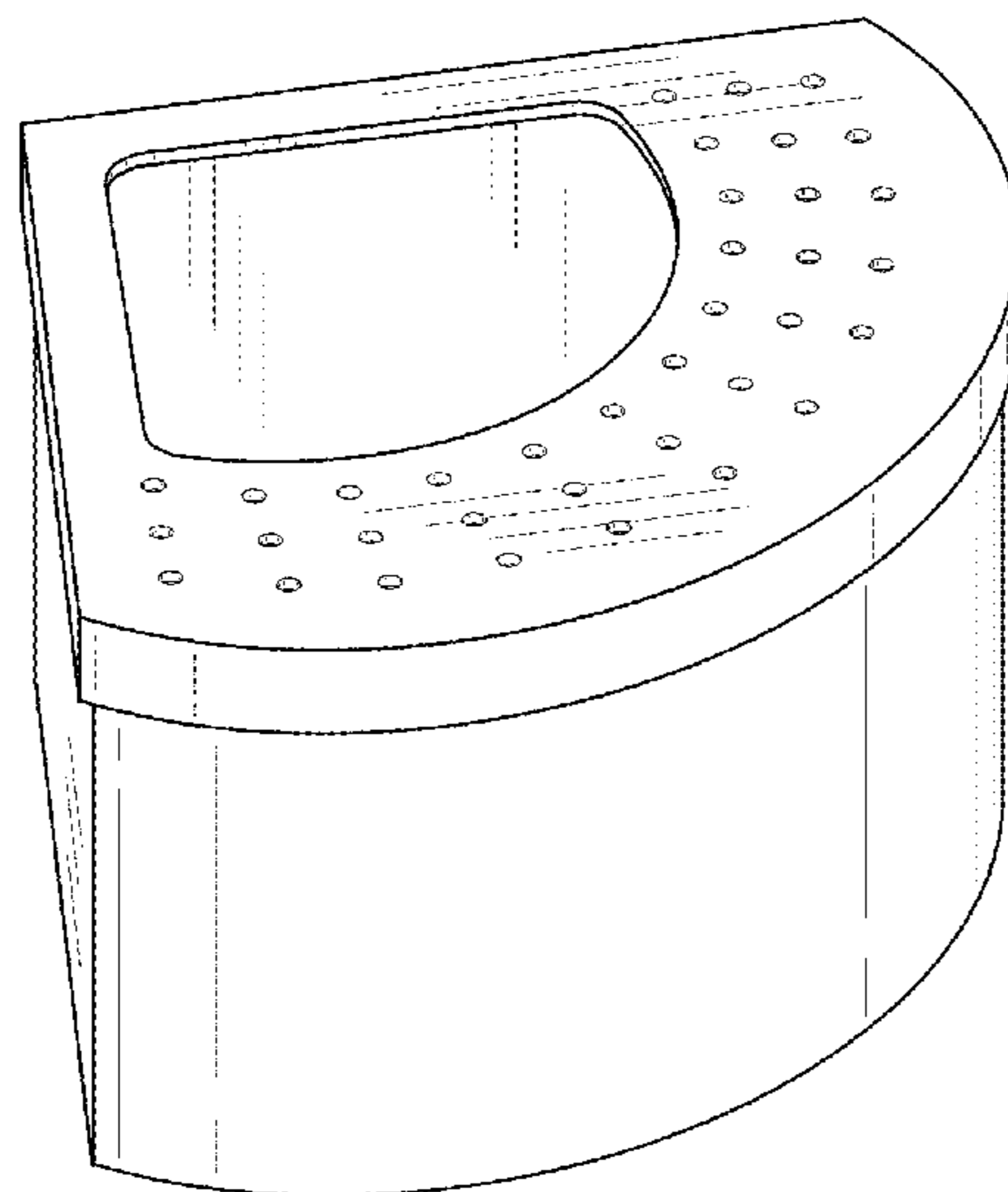
FIG. 1 is a front perspective of an animal litter box showing my new design.
FIG. 2 is a front perspective exploded view of an animal litter box showing my new design.
FIG. 3 is a front view of an animal litter box showing my new design.
FIG. 4 is a rear view of an animal litter box showing my new design.
FIG. 5 is a right-side view of an animal litter box showing my new design.
FIG. 6 is a left-side view of an animal litter box showing my new design.
FIG. 7 is a top view of an animal litter box showing my new design; and,
FIG. 8 is a bottom view of an animal litter box showing my new design.

1 Claim, 5 Drawing Sheets

(56) **References Cited**

U.S. PATENT DOCUMENTS

2,963,003 A * 12/1960 Oberg A01K 1/0114
119/166
D244,534 S * 5/1977 Gruber D23/288
D272,569 S * 2/1984 Argentine D30/161
4,836,141 A * 6/1989 Whitfield A01K 1/0107
119/169
D309,106 S * 7/1990 Willson D9/424
D329,107 S * 9/1992 Hardy D30/130
D341,539 S * 11/1993 Davis D7/550.1
D365,682 S * 1/1996 Calmeise D3/319
D366,102 S * 1/1996 Bonnell D23/284
D366,311 S * 1/1996 Bonnell D23/288
D376,875 S * 12/1996 Glickstein D30/118
D389,609 S * 1/1998 Rose D30/106
D406,923 S * 3/1999 Simpkins D30/118
D455,872 S * 4/2002 Sturgis D30/118



(56)

References Cited

U.S. PATENT DOCUMENTS

D683,192 S * 5/2013 Schwartz D7/629
D725,319 S * 3/2015 Olson D30/161
D741,030 S * 10/2015 Cegielski D30/161

OTHER PUBLICATIONS

Angle litter edge box—Chadog Corporate, [online], [site visited Jan. 25, 2018]. Available from Internet, URL:<http://www.chadog.com/cat-litter-boxes-and-accessories/1155-angle-litter-edge-box.html>.*

Amazon, [online], [site visited Jan. 25, 2018]. Available from Internet, URL:<https://www.amazon.com/SmartCat-Corner-Litter-Box-Gray/dp/B0018CJZ32>.*

Vintage Pie Storage, [online], [site visited Jan. 25, 2018]. Available from Internet, URL: https://www.etsy.com/listing/567252881/vintage-pie-storage-tupperware-modular?show_sold_out_detail=1.*

ACL Plastik, [online], [site visited Jan. 25, 2018]. Available from Internet, URL:http://www.aclplastik.com/eng/details.asp?main_cat=16&sub_cat=47&id=224.*

* cited by examiner

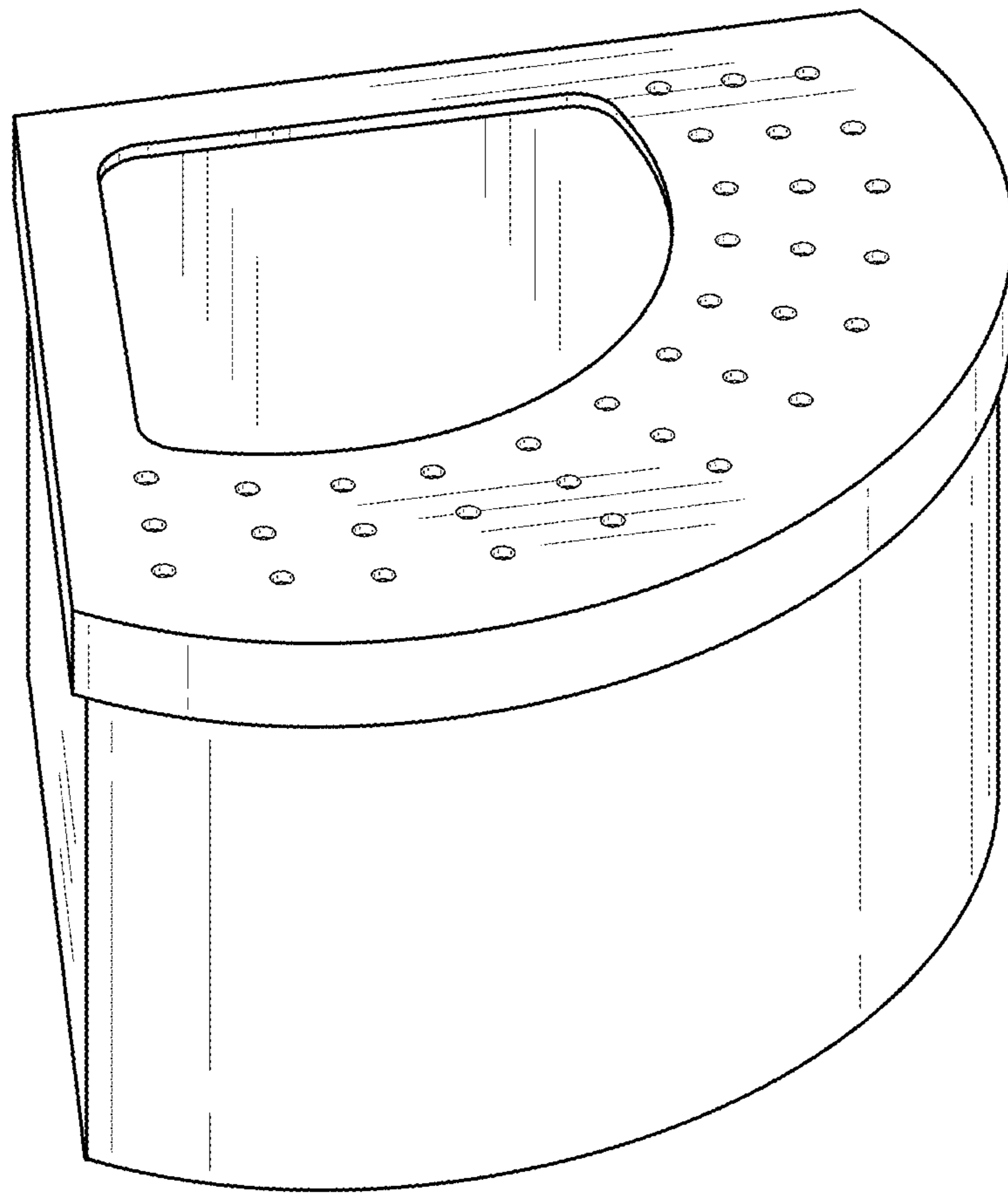


FIG. 1

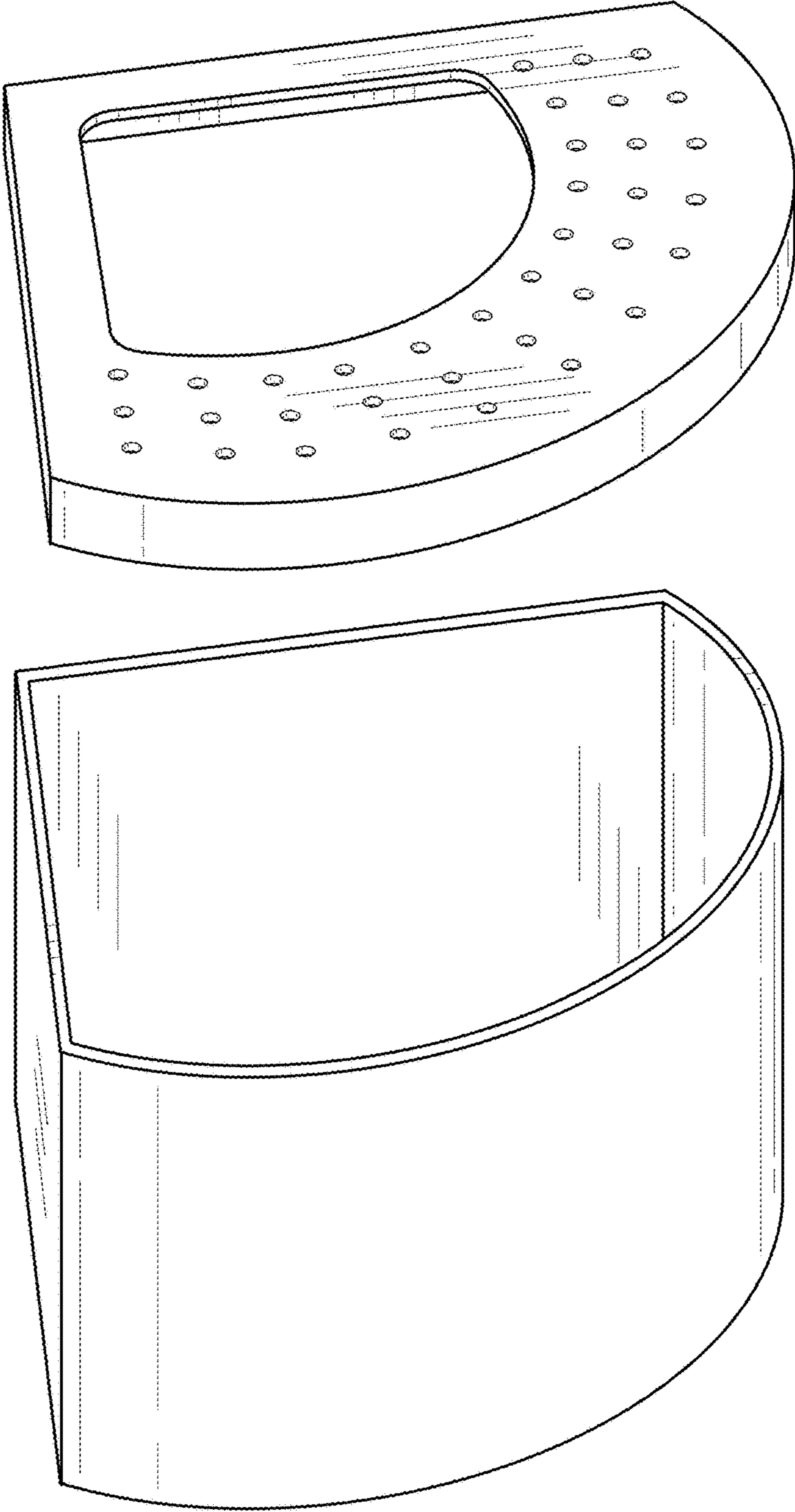


FIG. 2

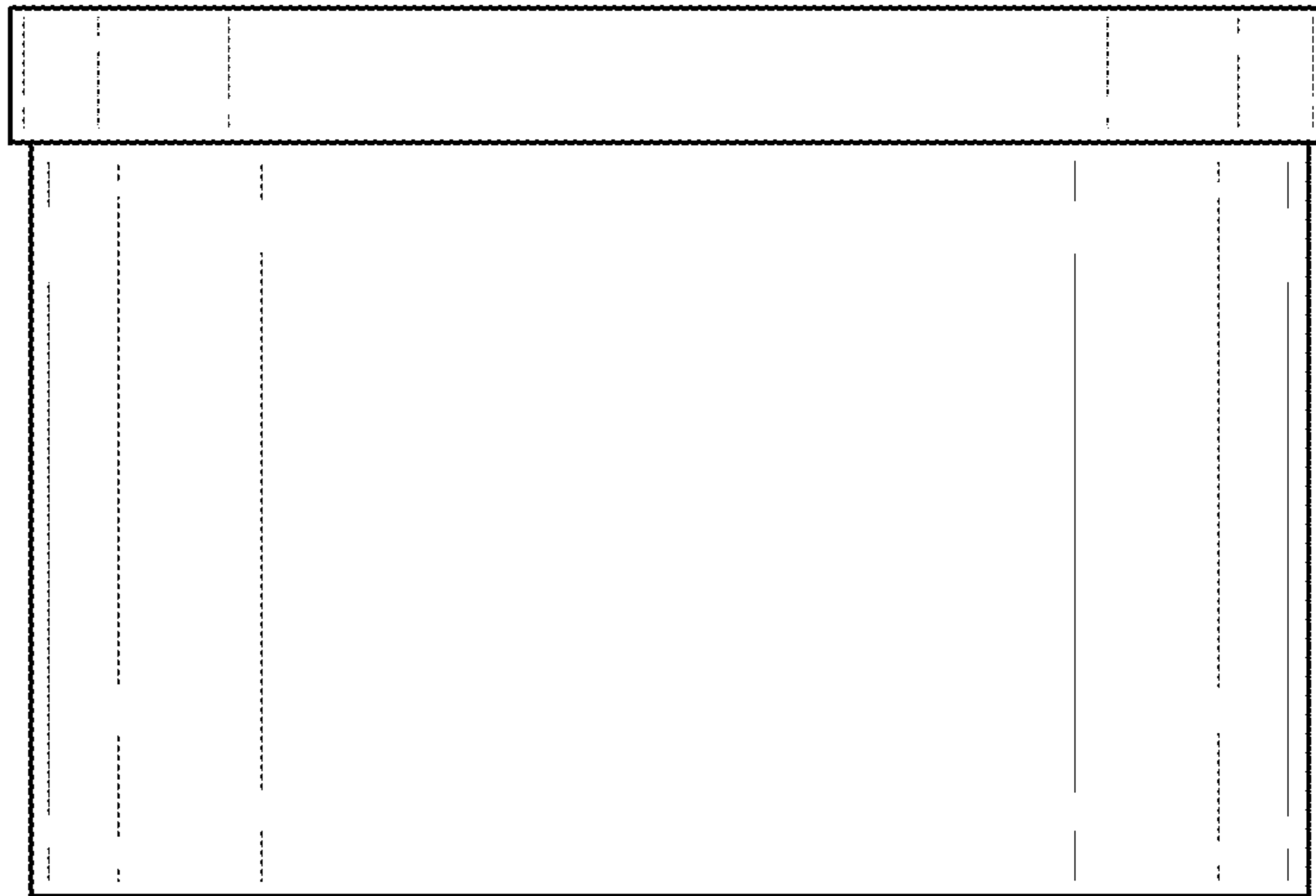


FIG. 3

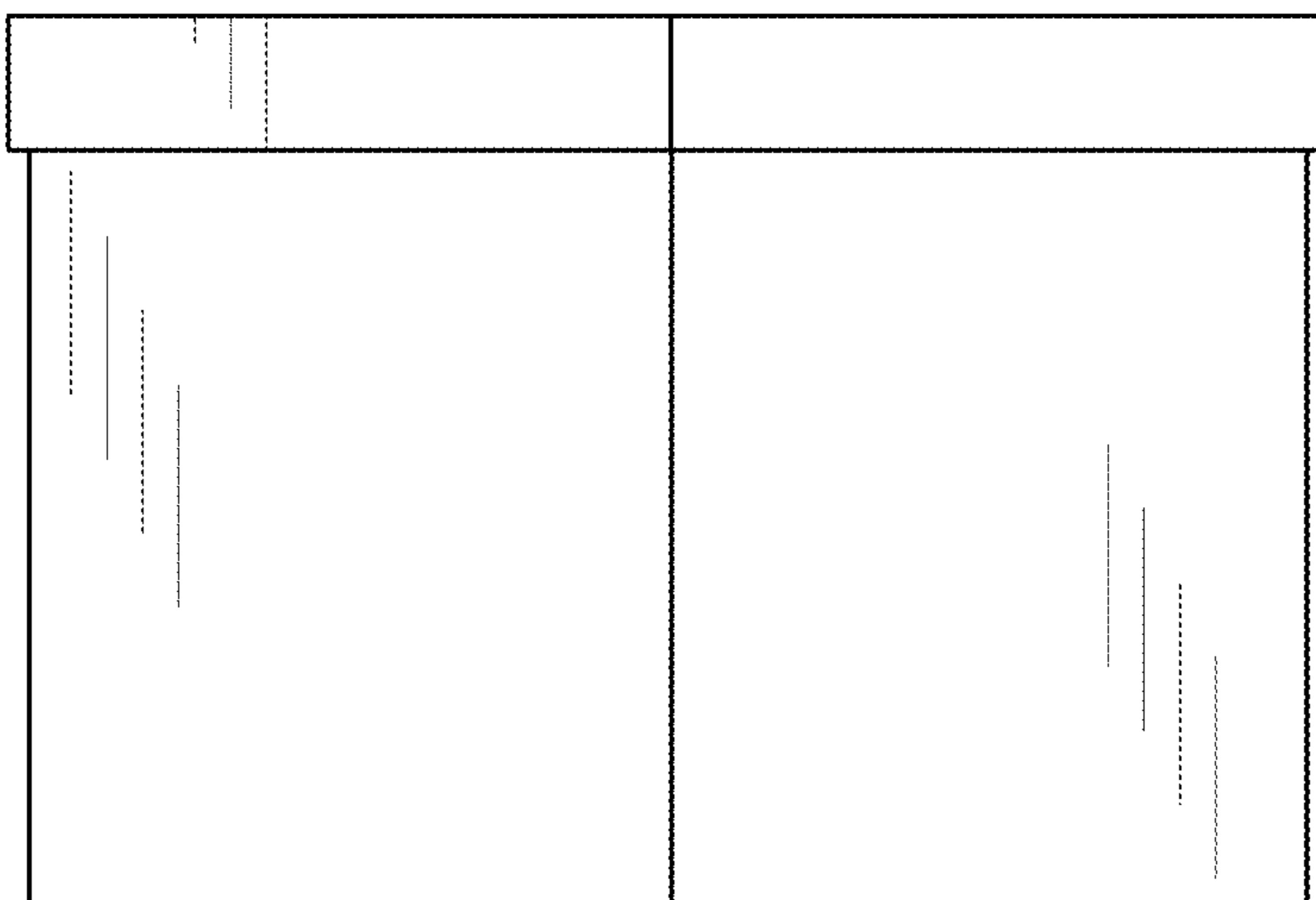


FIG. 4

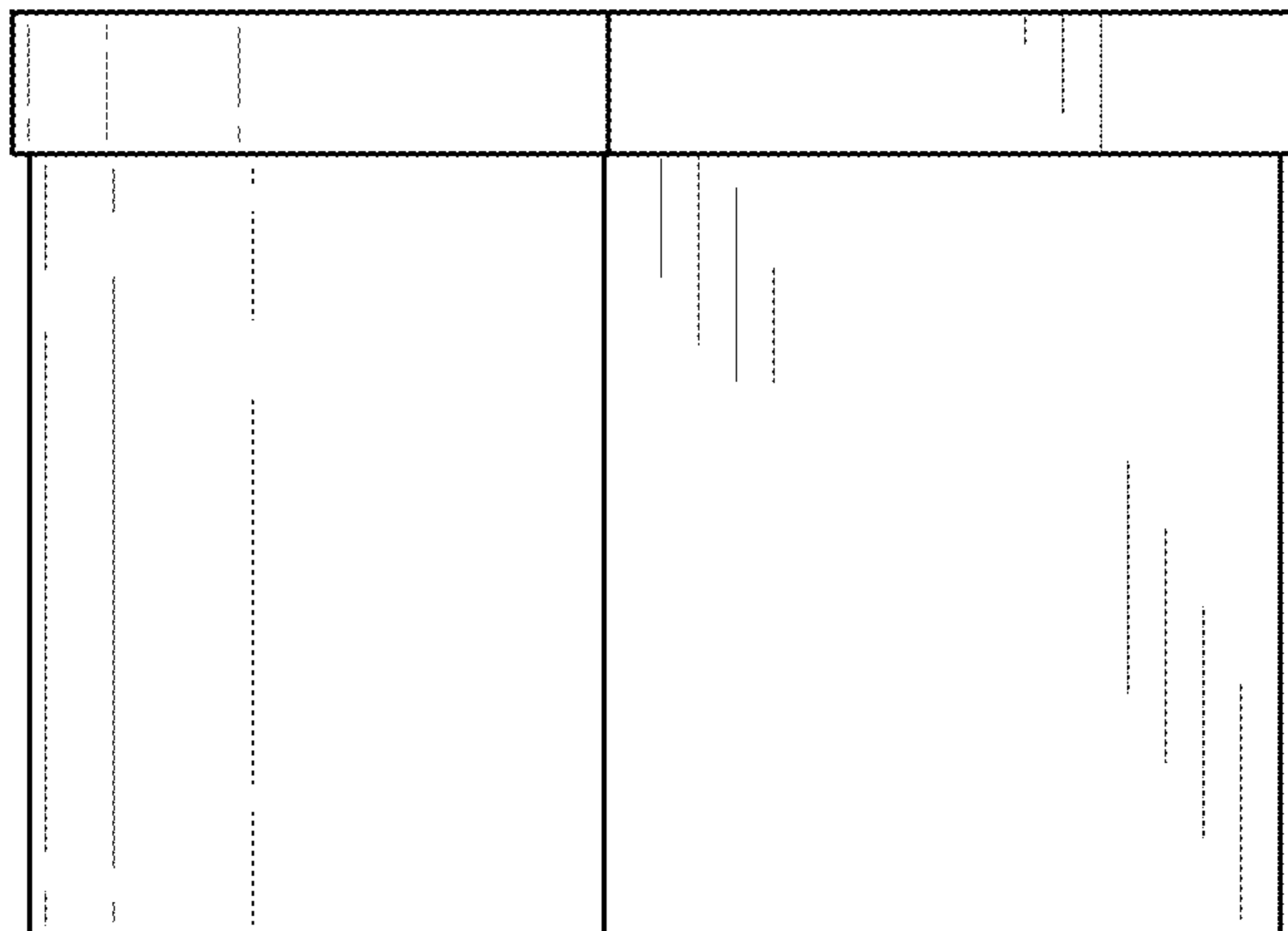


FIG. 5

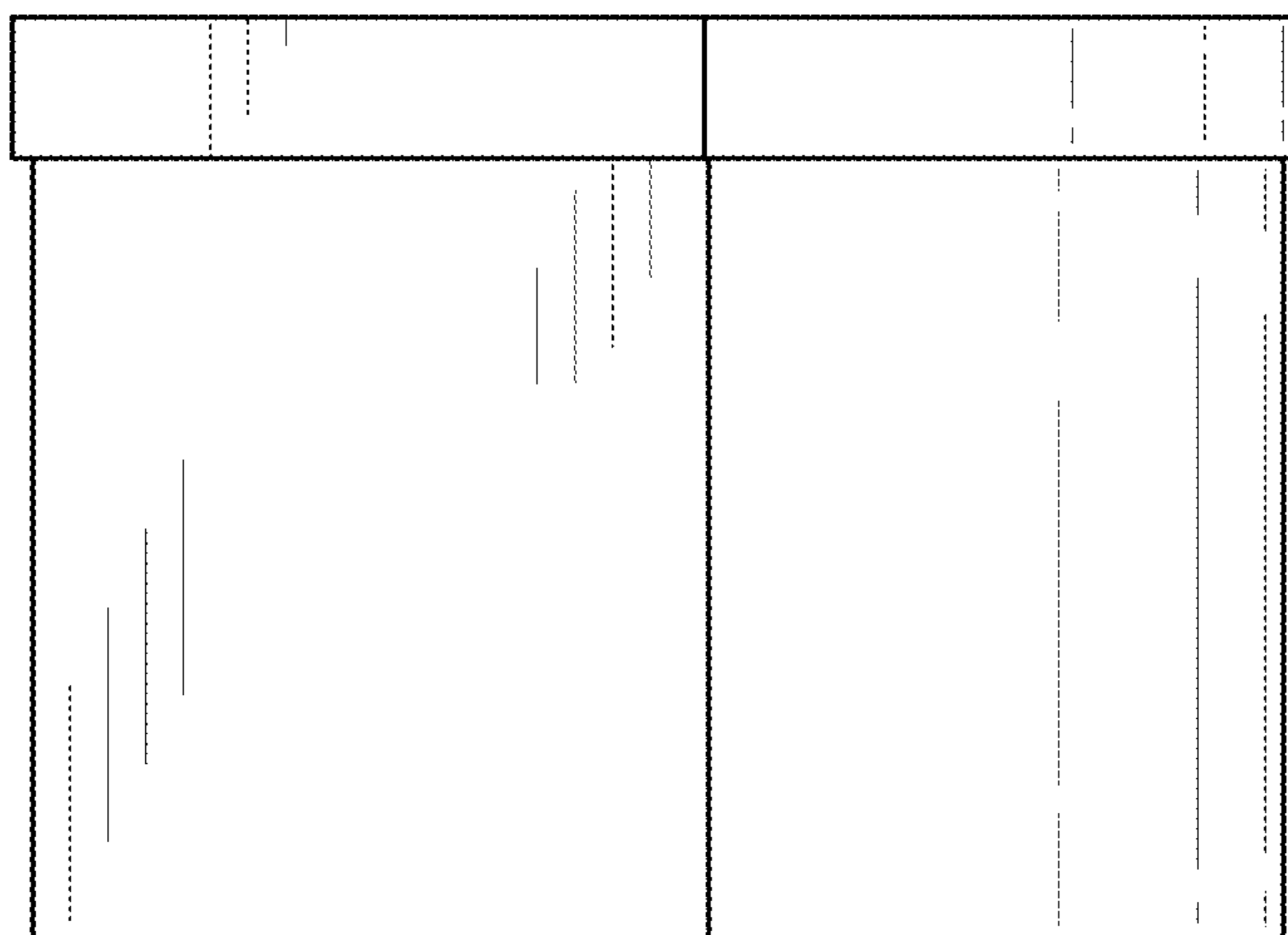


FIG. 6

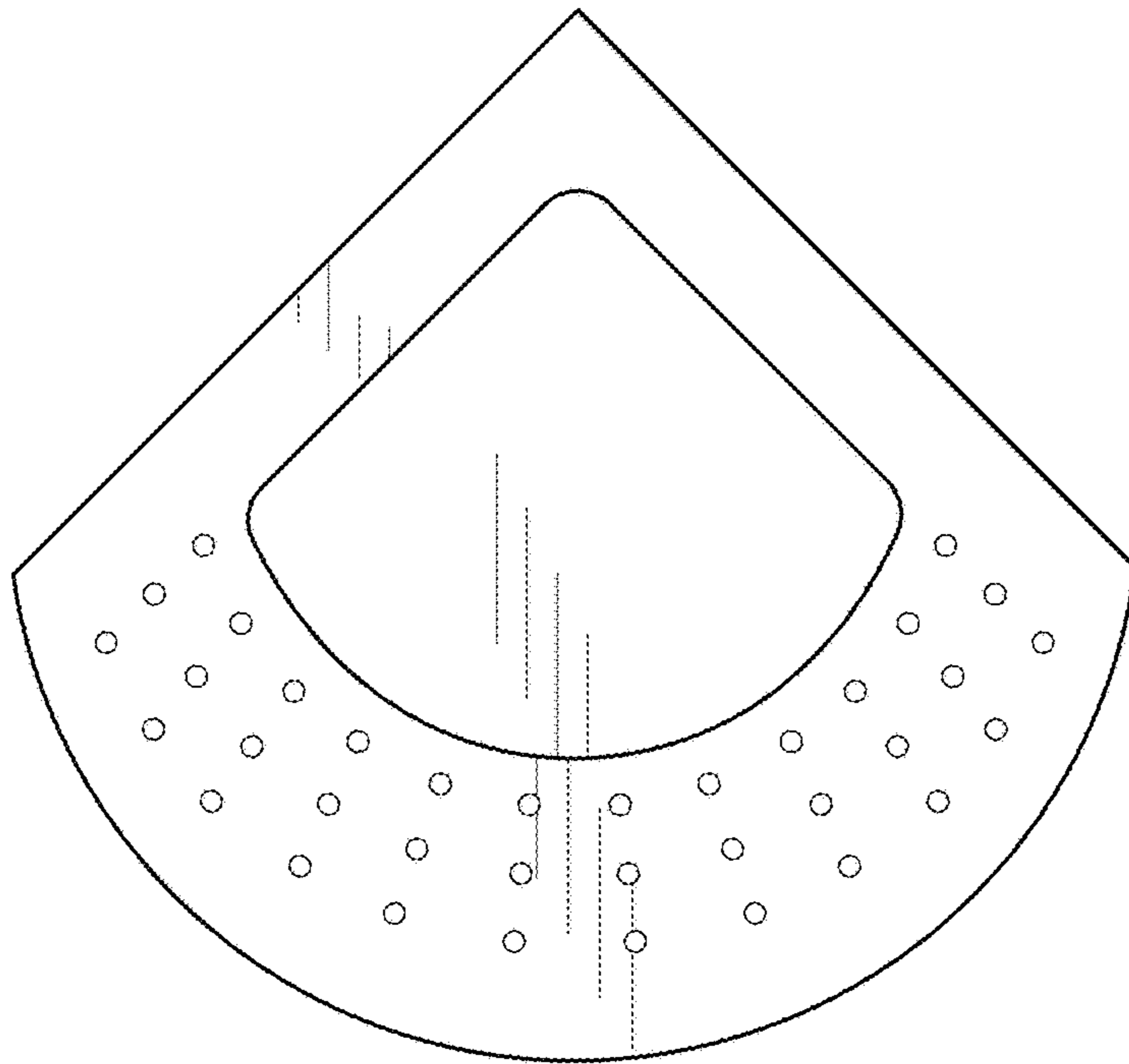


FIG. 7

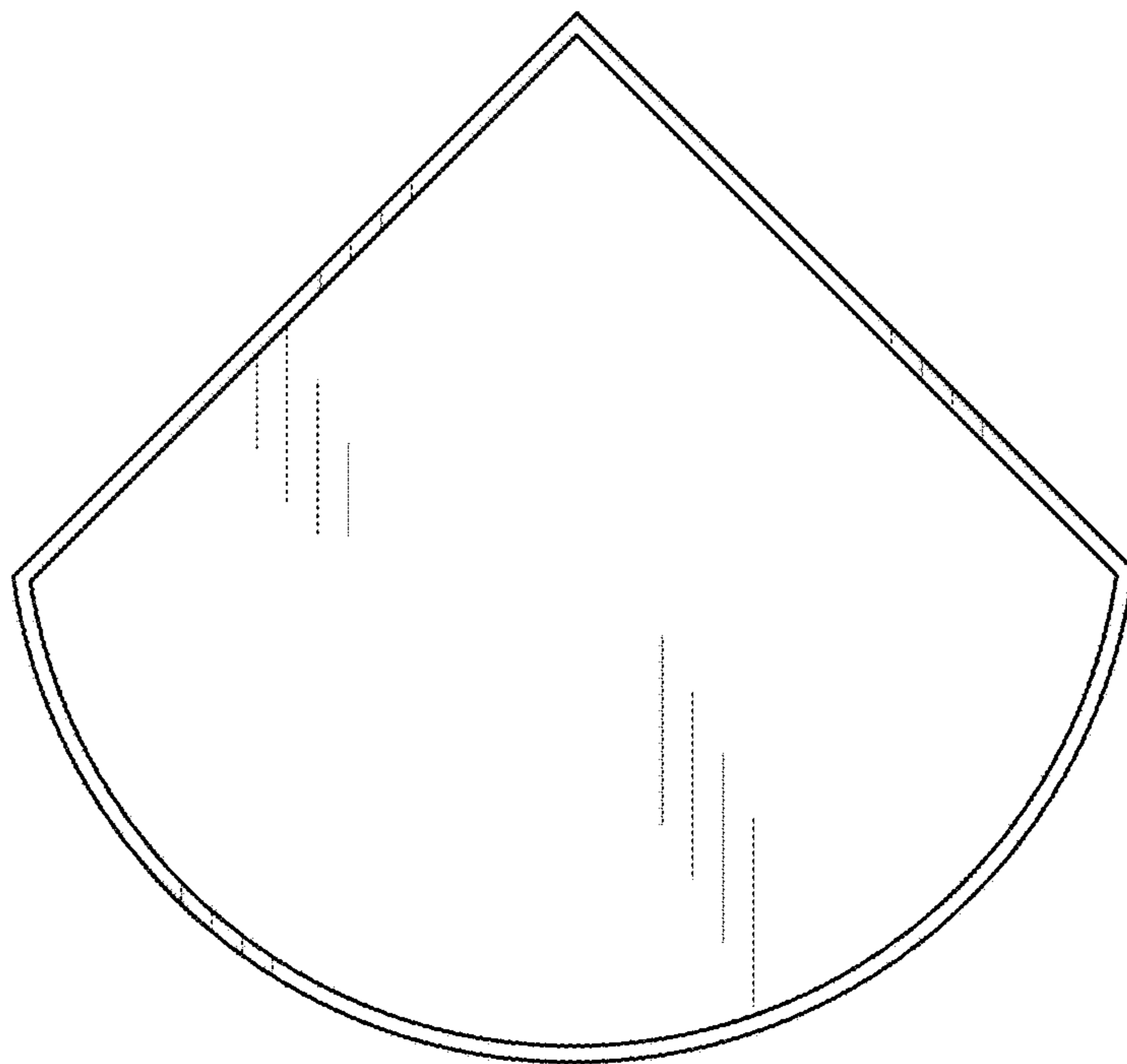


FIG. 8