



US00D830008S

(12) **United States Design Patent**
Liu et al.

(10) **Patent No.:** **US D830,008 S**
(45) **Date of Patent:** **** Oct. 2, 2018**

(54) **CAT ACTIVITY TOY**
(71) Applicant: **Radio Systems Corporation**,
Knoxville, TN (US)
(72) Inventors: **Brian Liu**, Shenzhen (CN); **Amanda Sweetnam**, Midlothian, VA (US);
Baker Zhong, Shenzhen (CN)
(**) Term: **14 Years**
(21) Appl. No.: **29/523,407**
(22) Filed: **Apr. 9, 2015**
(51) **LOC (11) Cl.** **30-99**
(52) **U.S. Cl.**
USPC **D30/160**
(58) **Field of Classification Search**
USPC D30/158, 160; D21/656, 826
CPC A01K 15/024; A01K 15/025; A01K 15/26;
A01K 15/27; A61J 17/00; B65D 17/163;
B65D 17/165
See application file for complete search history.

(56) **References Cited**

U.S. PATENT DOCUMENTS

1,534,964 A * 4/1925 Kahnweiler A63H 33/00
119/711
2,211,102 A 8/1940 Davis
D273,314 S 4/1984 McCoy et al.
4,534,316 A 8/1985 Bowsby
4,722,299 A 2/1988 Mohr

(Continued)

FOREIGN PATENT DOCUMENTS

CN 201234507 5/2009
CN 202285810 7/2012
CN 202310841 7/2012

OTHER PUBLICATIONS

Web page from www.frolicat.com for "Bolt" toy printed May 13, 2013 (3 pages).

(Continued)

Primary Examiner — Cathy Anne MacCormac
(74) *Attorney, Agent, or Firm* — Baker, Donelson,
Bearman, Caldwell & Berkowitz PC

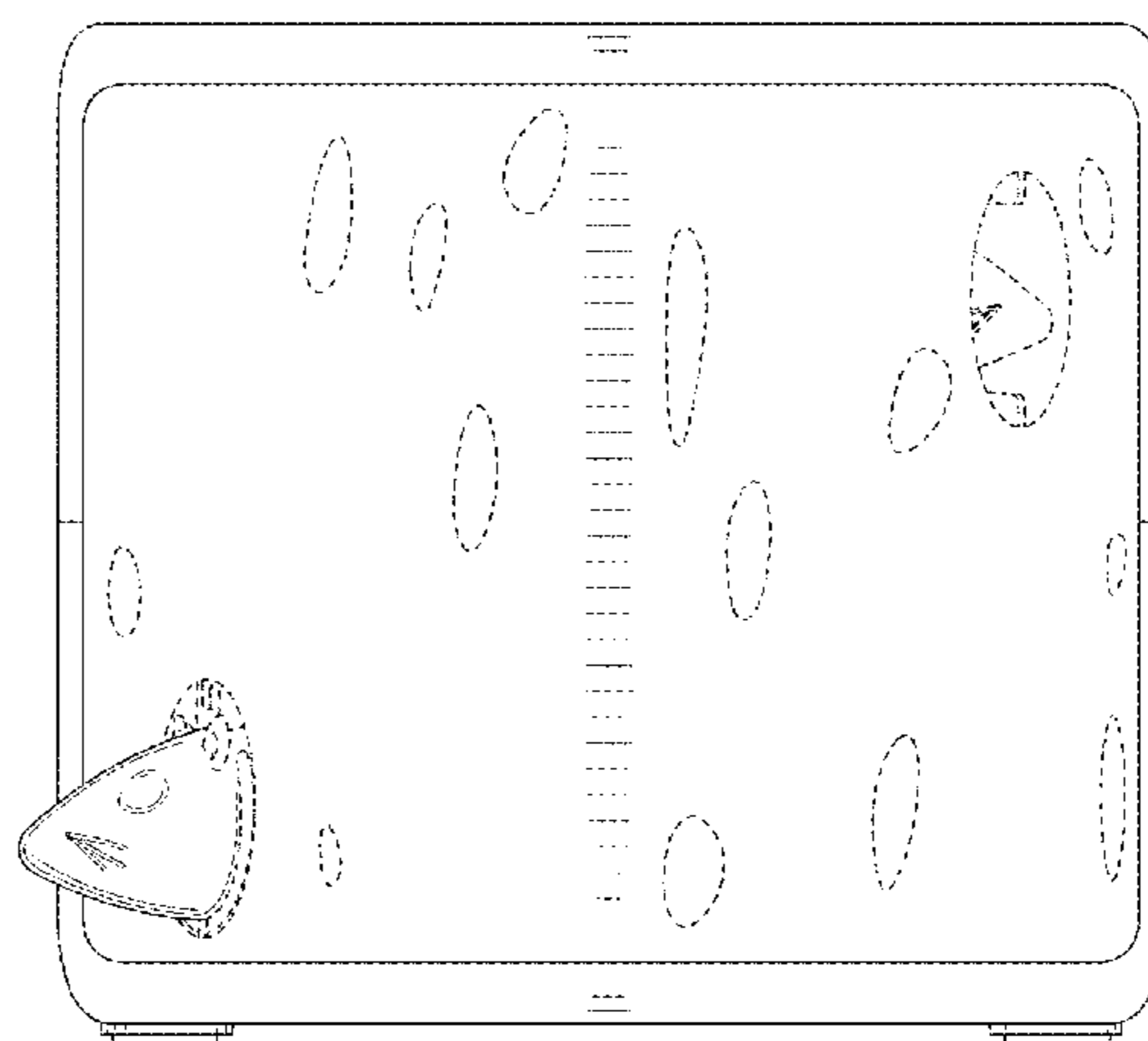
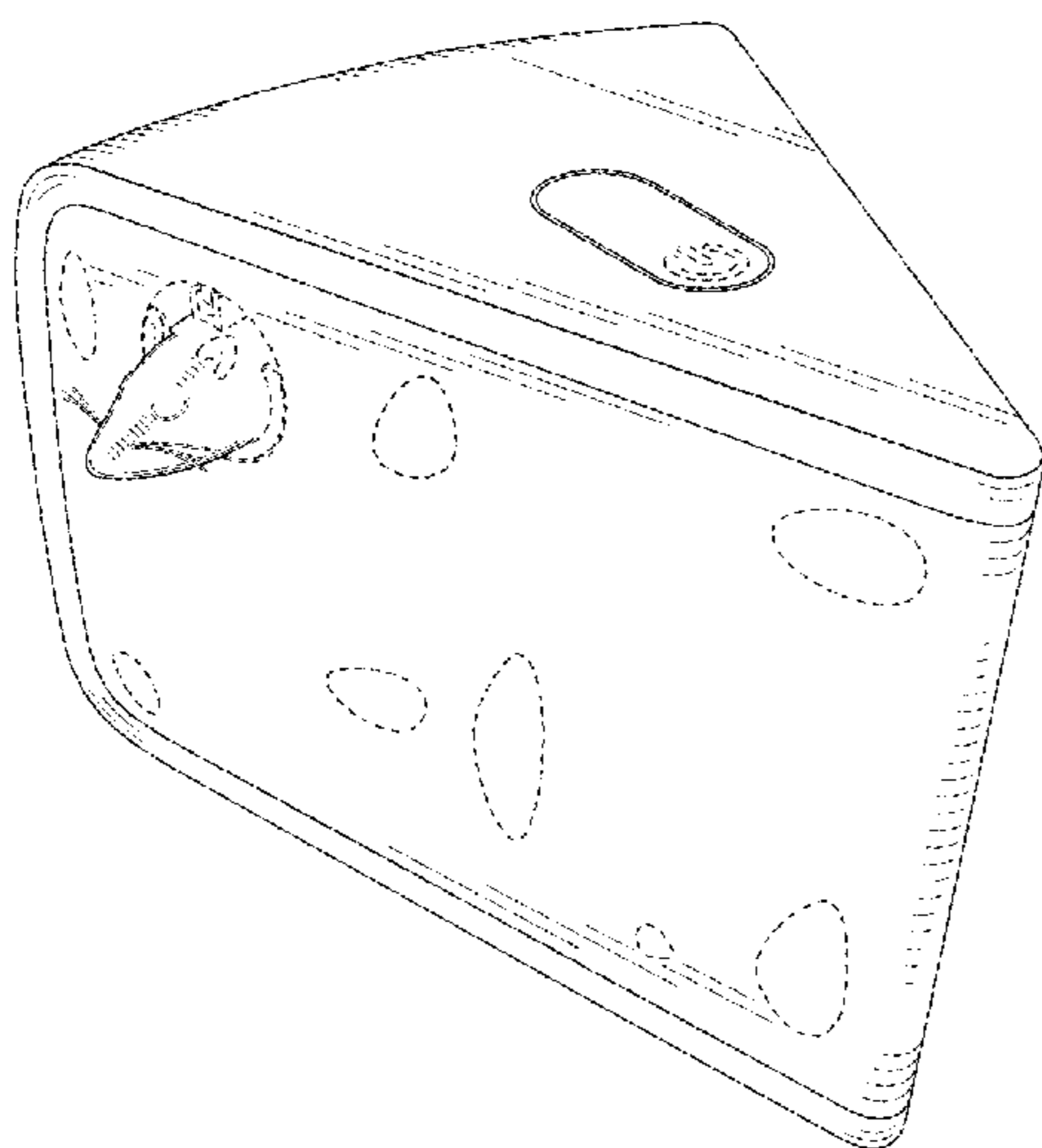
(57) **CLAIM**

The ornamental design for a cat activity toy, as shown and described.

DESCRIPTION

FIG. 1 is a first perspective view showing our new design for a cat activity toy, in a first embodiment, taken from a front angle and showing a first side of the toy.
FIG. 2 is a second perspective view of the cat activity toy of FIG. 1, also taken from a front angle but showing a second opposite side of the toy.
FIG. 3 is a front view thereof.
FIG. 4 is a back view thereof.
FIG. 5 is a left side view thereof.
FIG. 6 is a right side view thereof.
FIG. 7 is a top view thereof.
FIG. 8 is a bottom view thereof.
FIG. 9 is a first perspective view showing our new design for a cat activity toy, in a second embodiment, taken from a front angle and showing a first side of the toy.
FIG. 10 is a second perspective view of the cat activity toy of FIG. 9, also taken from a front angle but showing a second opposite side of the toy.
FIG. 11 is a front view thereof.
FIG. 12 is a back view thereof.
FIG. 13 is a left side view thereof.
FIG. 14 is a right side view thereof.
FIG. 15 is a top view thereof; and,
FIG. 16 is a bottom view thereof.
The structural features shown in broken lines depict environmental subject matter and form no part of the claimed design.

1 Claim, 8 Drawing Sheets



(56)

References Cited

U.S. PATENT DOCUMENTS

4,803,953 A * 2/1989 Graves A01K 15/025
119/707

5,009,193 A 4/1991 Gordon
5,103,770 A 4/1992 Berkovich
5,111,771 A 5/1992 Mathews
D335,553 S 5/1993 Conner
D335,554 S 5/1993 Conner
5,269,261 A 12/1993 McCance
D345,633 S 3/1994 McCance
5,390,629 A 2/1995 Simone
D359,822 S 6/1995 McCance
5,634,435 A 6/1997 Udelle et al.
5,785,005 A 7/1998 Udelle et al.
5,806,465 A 9/1998 Baiera et al.
D405,563 S 2/1999 Baiera et al.
5,875,736 A 3/1999 Udelle et al.
5,881,679 A 3/1999 Hann
D414,903 S * 10/1999 Baiera D30/160
D427,260 S * 6/2000 Burr D30/160
6,510,817 B2 1/2003 Horvath
6,568,353 B2 * 5/2003 Van Sluis A01K 15/025
119/702

6,571,742 B1 * 6/2003 Tsengas A01K 15/025
119/707

6,591,785 B1 * 7/2003 Boshears A01K 15/024
119/706

7,044,084 B2 5/2006 Ritchey
7,631,617 B1 12/2009 Tsengas
7,806,087 B2 10/2010 Plante
D633,661 S 3/2011 Kellogg et al.

D646,443 S 10/2011 Cook et al.
8,166,919 B2 1/2012 Cook et al.
8,109,239 B1 2/2012 Smestad et al.
D656,282 S 3/2012 Dixon et al.
D659,305 S 5/2012 Song et al.
D659,915 S 5/2012 Letchford
8,166,918 B2 5/2012 Cook et al.
8,166,920 B2 5/2012 Cook et al.
D662,675 S 6/2012 Siklosi
8,414,350 B2 4/2013 Rehkemper et al.
8,631,768 B1 1/2014 Sumitsuji
8,640,653 B2 2/2014 Cook et al.
8,944,011 B2 2/2015 Kirschbaum
2010/0107990 A1 5/2010 Plante
2011/0265728 A1 11/2011 Cook et al.
2012/0234258 A1 9/2012 Cook et al.
2012/0298049 A1 11/2012 Cook et al.
2013/0081577 A1 4/2013 Morris

OTHER PUBLICATIONS

Web page from www.frolicat.com for "Dart" toy printed May 13, 2013 (3 pages).
Web page from www.frolicat.com for "Sway" toy printed May 13, 2013 (3 pages).
Web page from www.frolicat.com "Twitch" forttoy printed May 13, 2013 (3 pages).
On-line product available from www.amazon.com called Ethical Pet Mouse Chase Electronic Cat Toy (printed Jun. 15, 2013).
Web page from www.store.petsafe.net/toy-cheese for "Cheese Cat Toy" placed on sale on about Feb. 20, 2015 (2 pages).

* cited by examiner

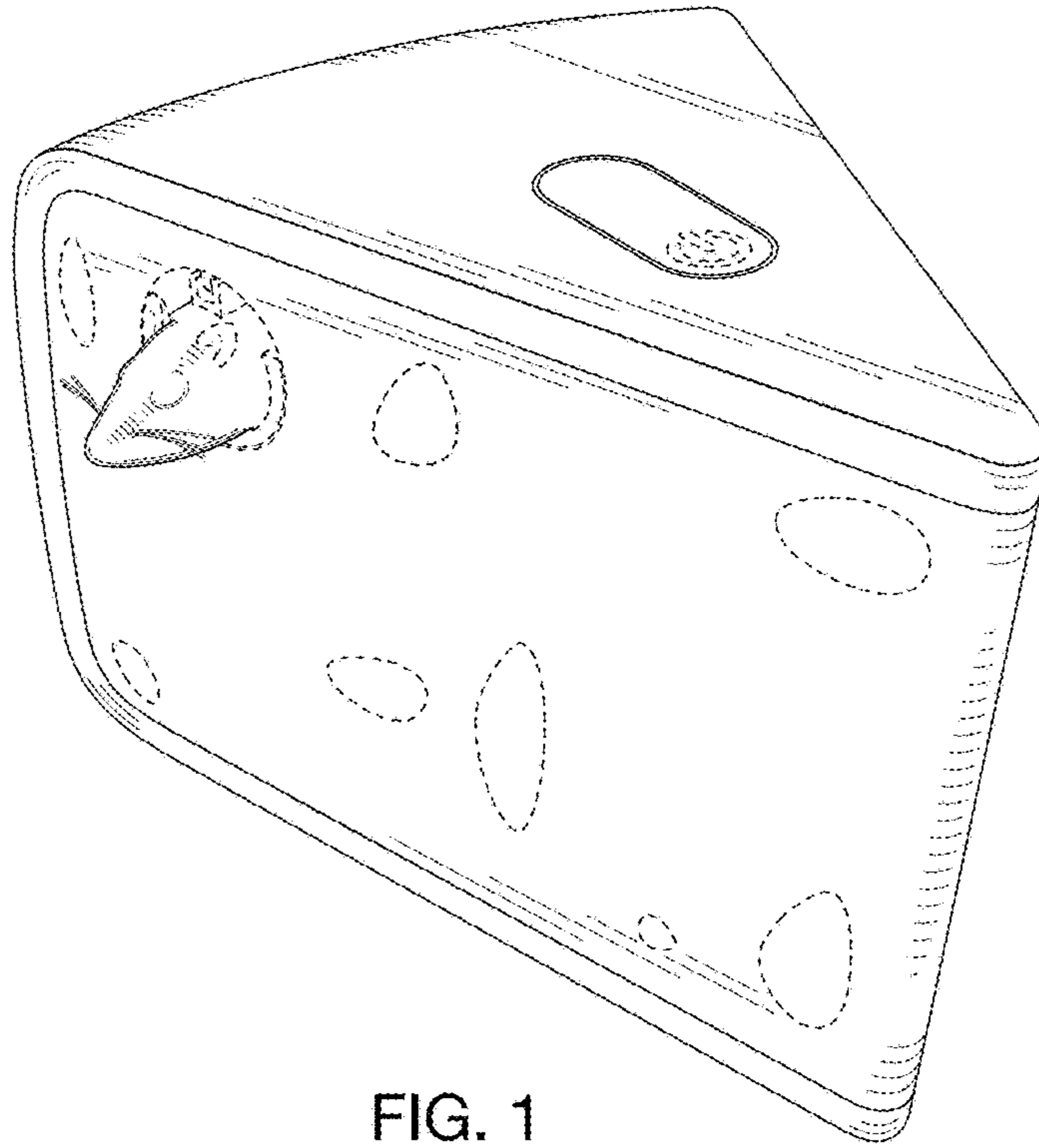


FIG. 1

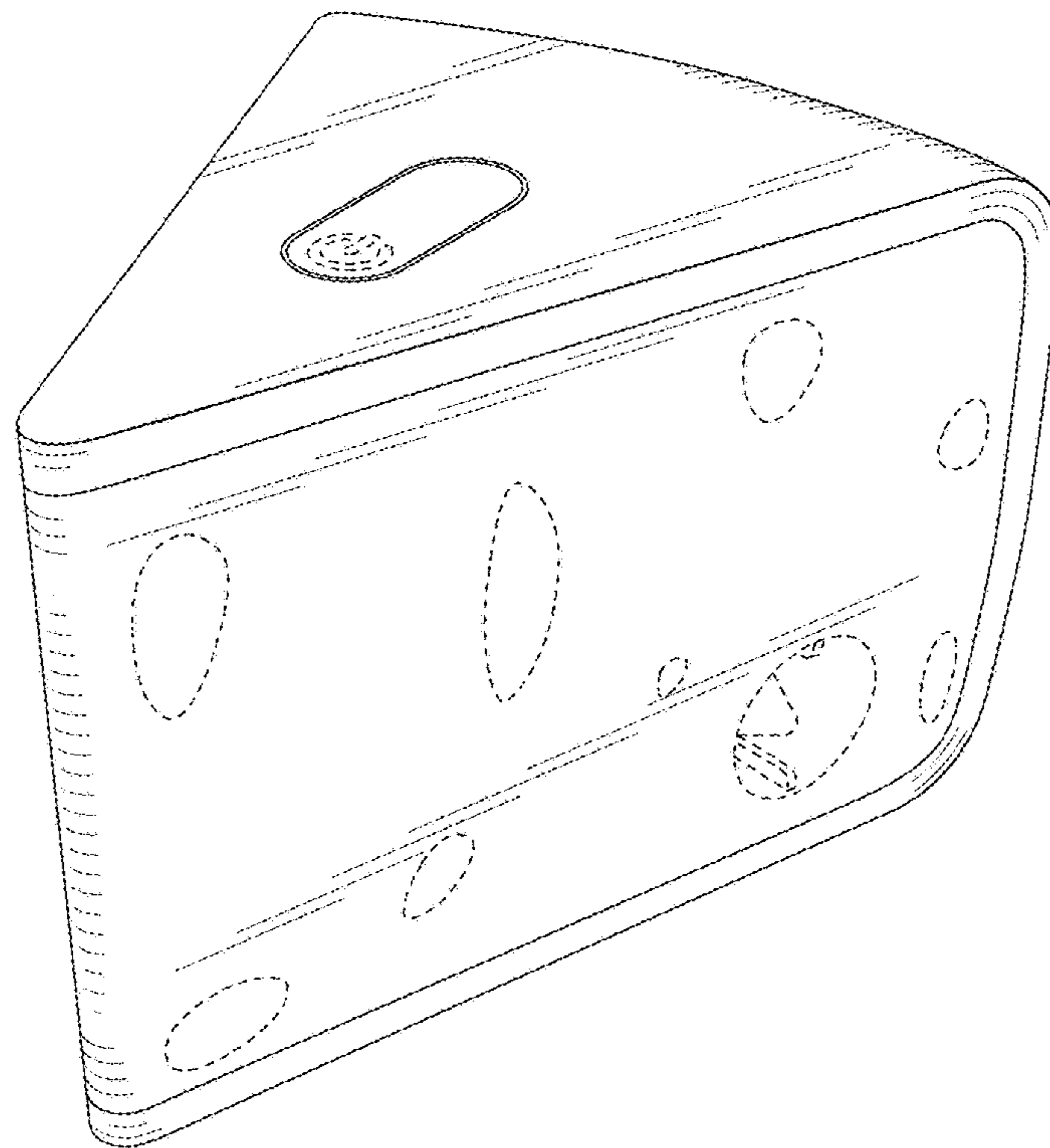


FIG. 2

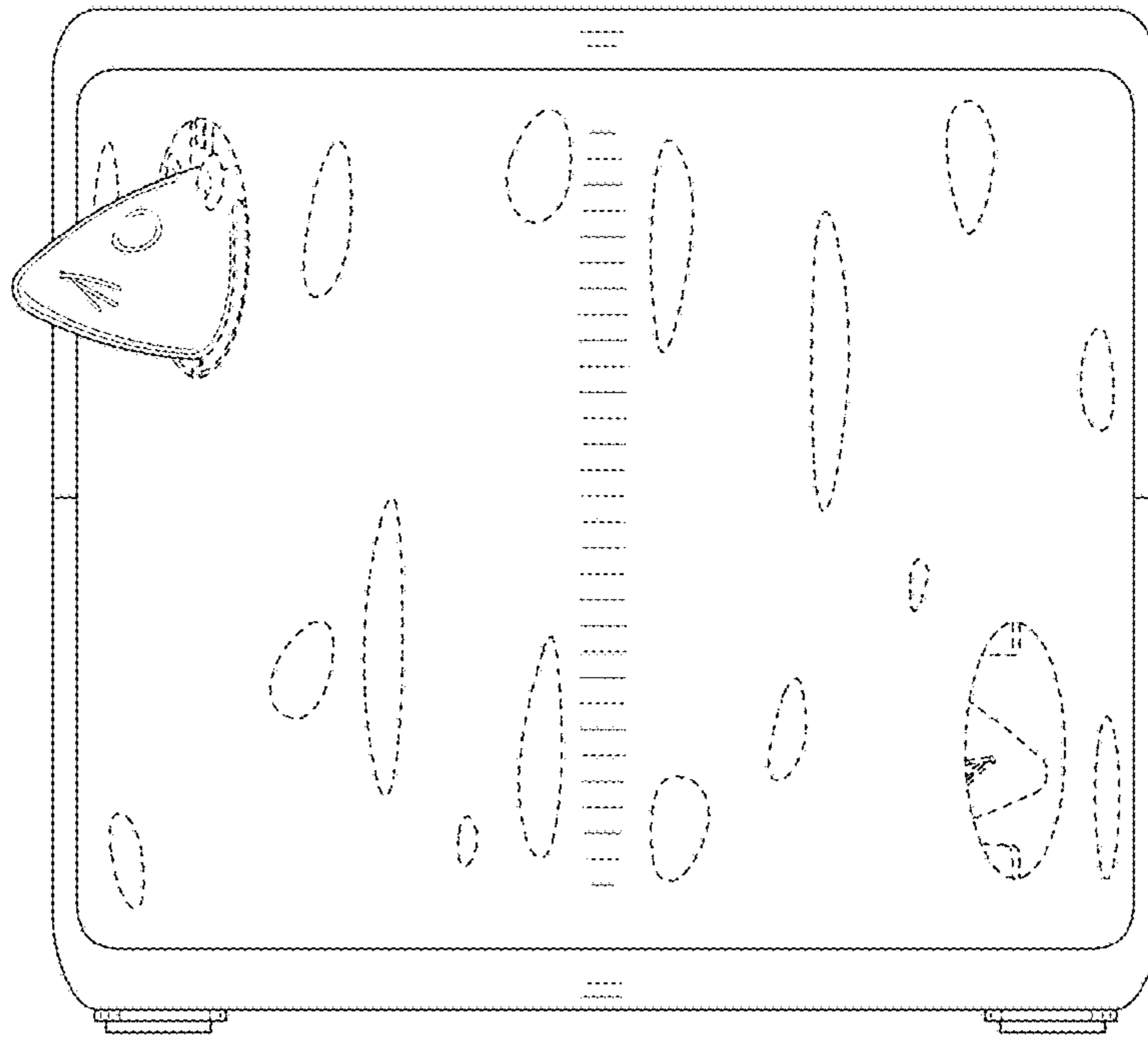


FIG. 3

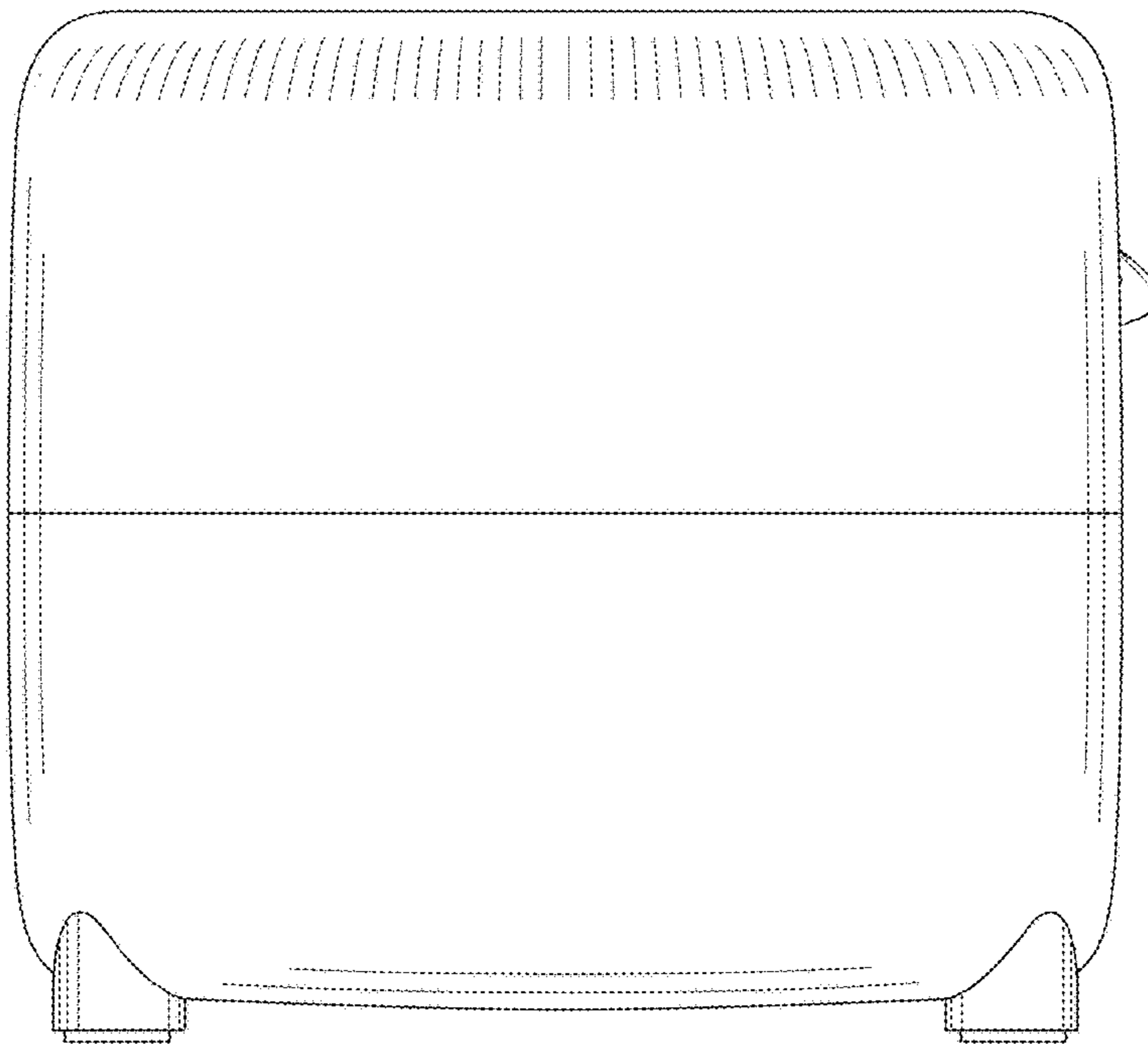


FIG. 4

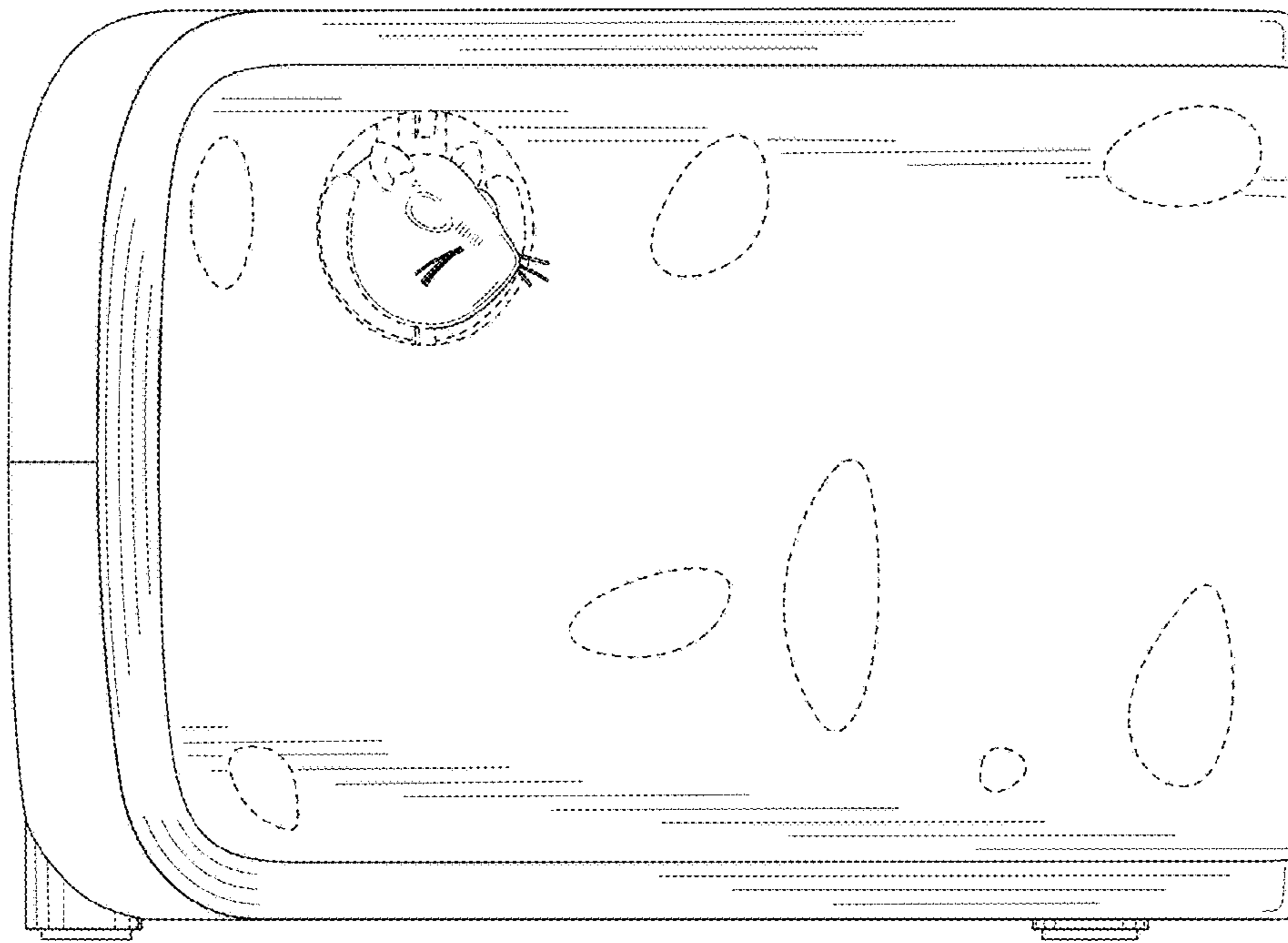


FIG. 5

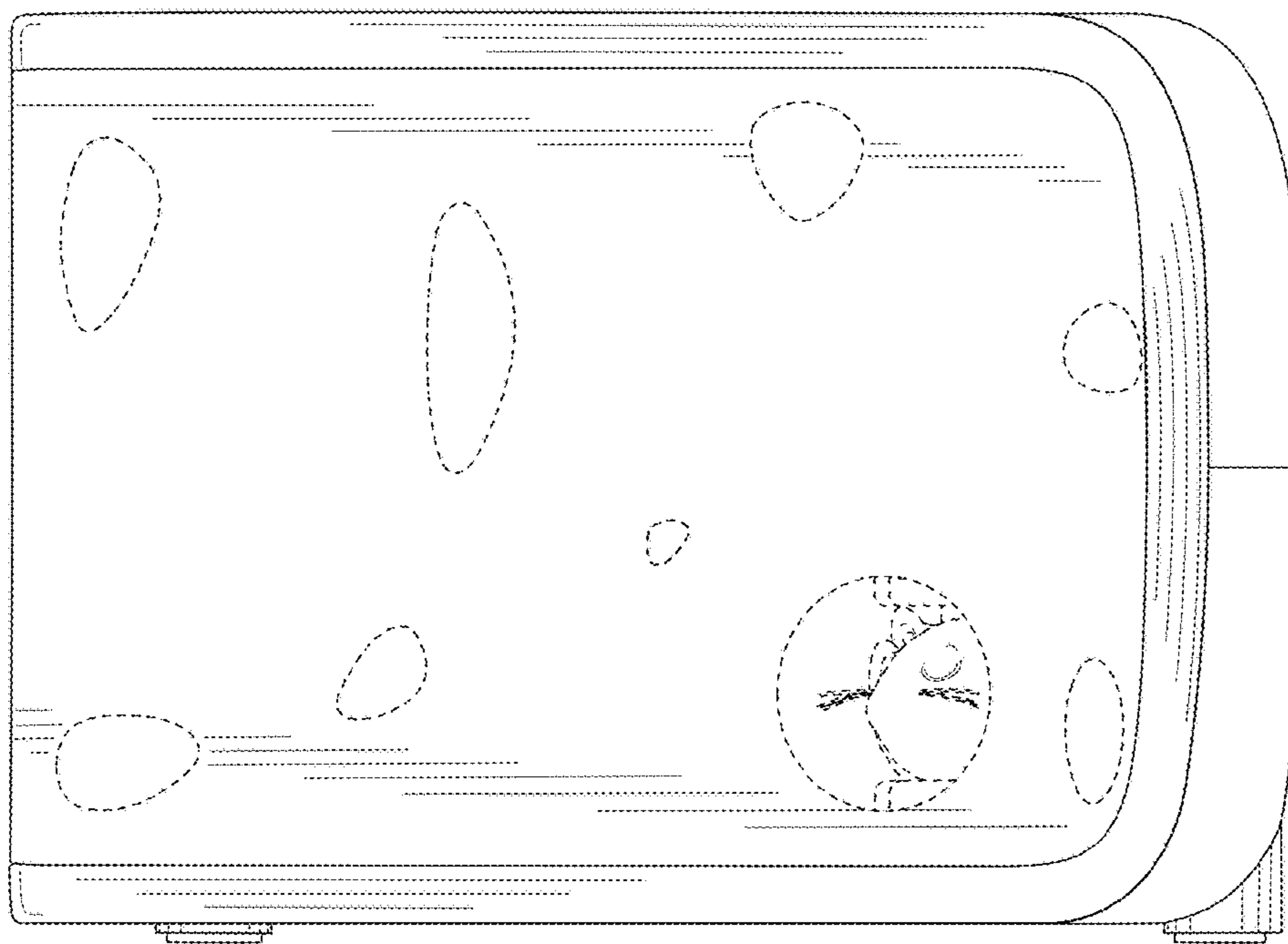


FIG. 6

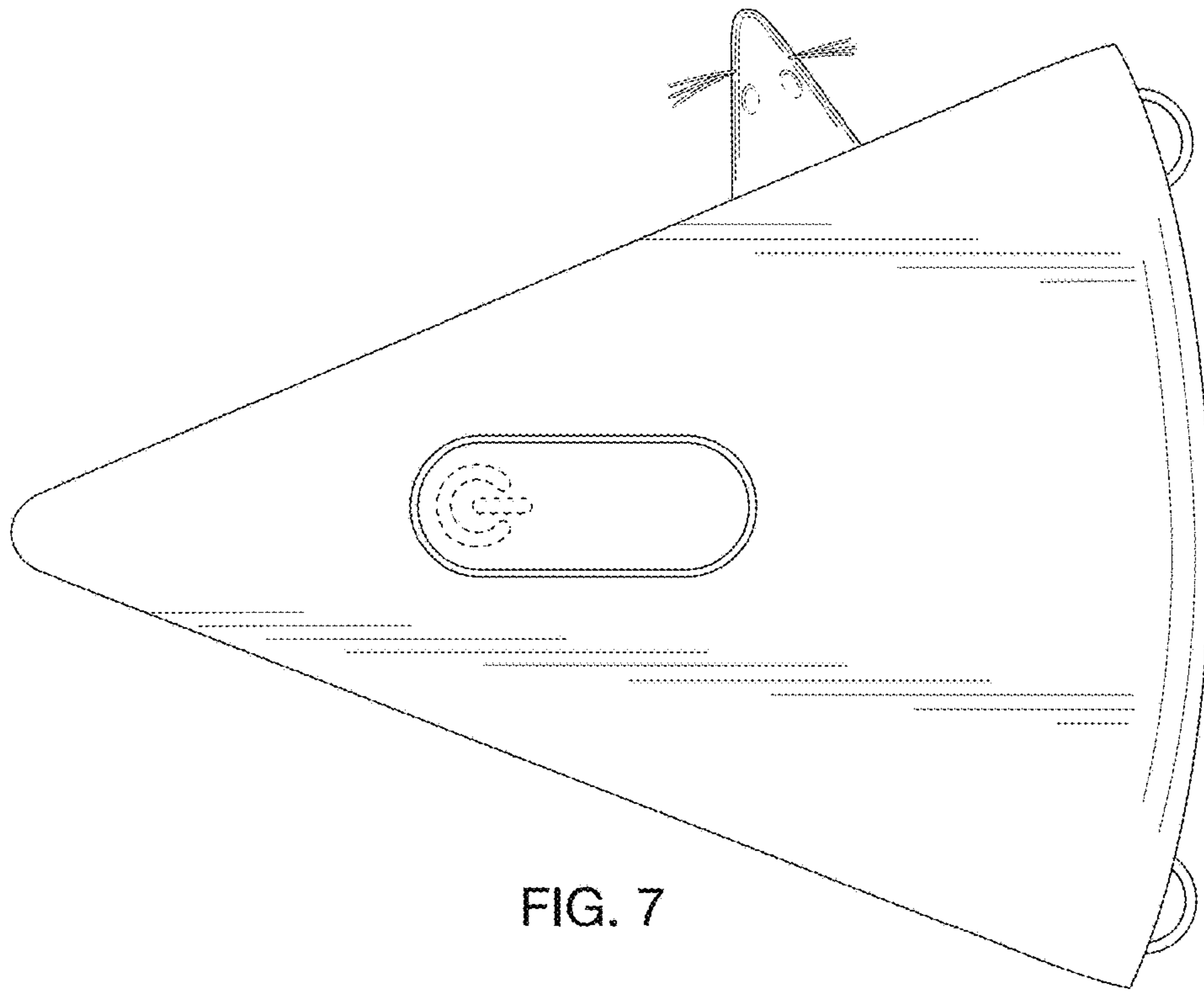


FIG. 7

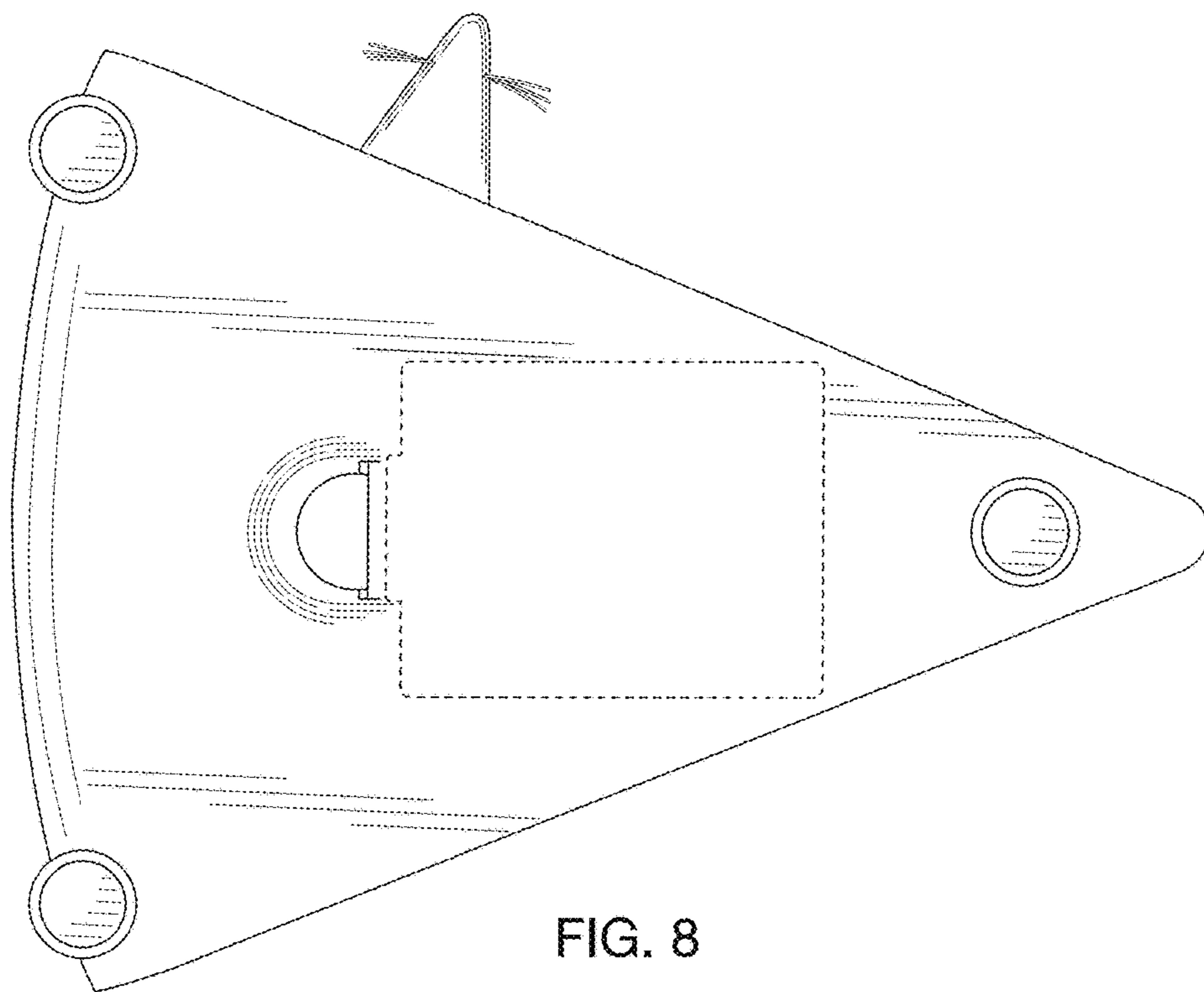


FIG. 8

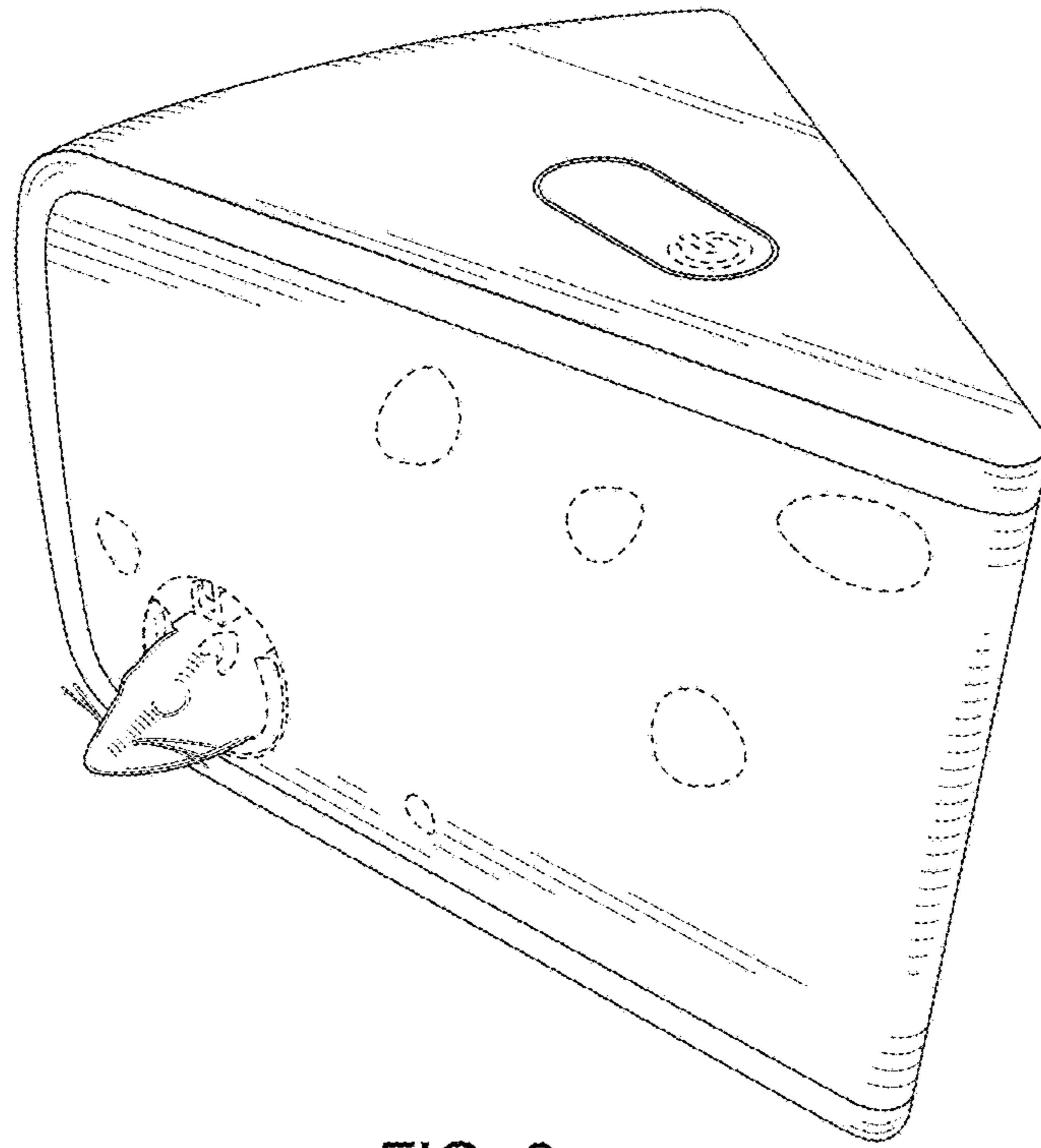


FIG. 9

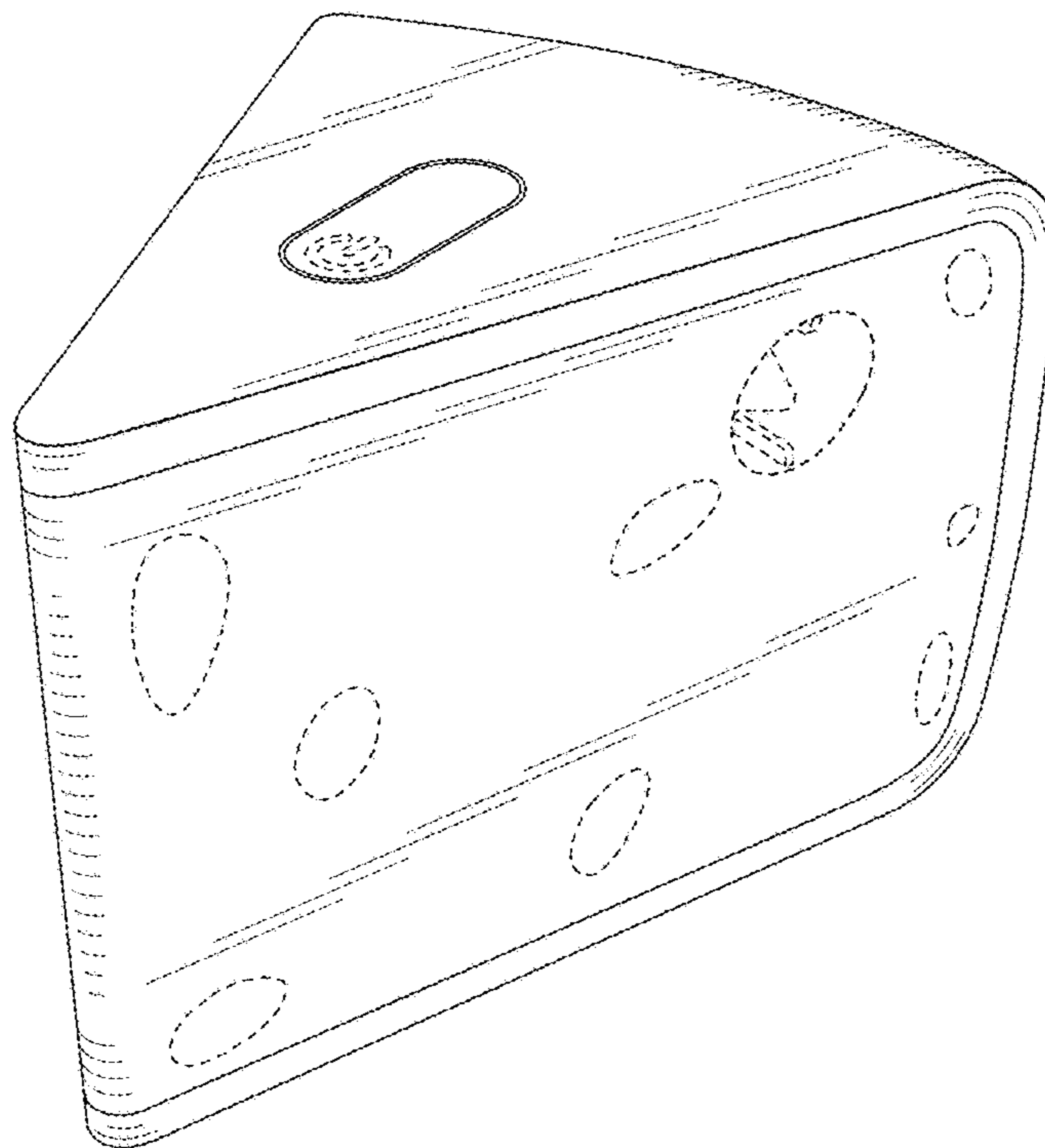


FIG. 10

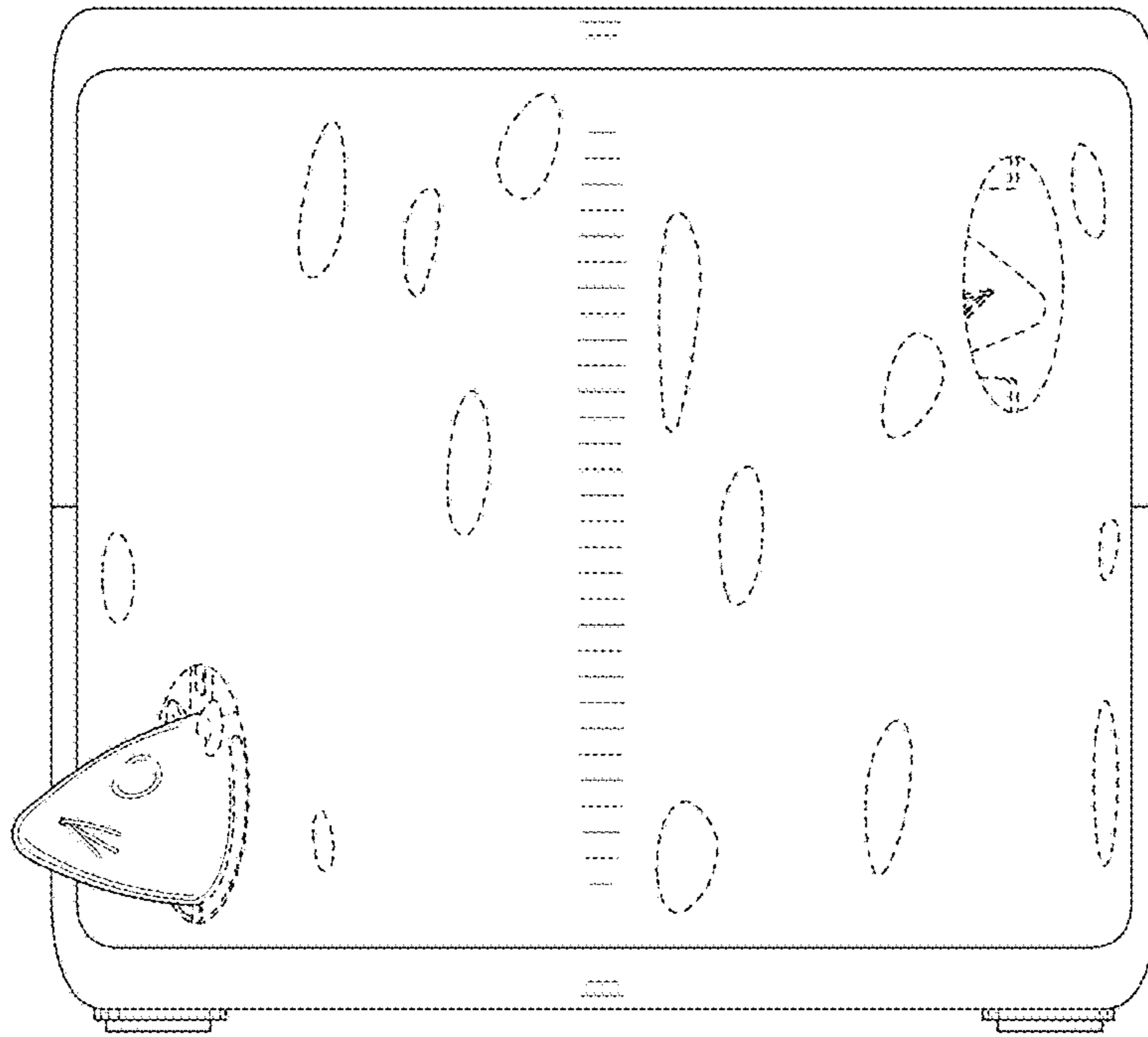


FIG. 11

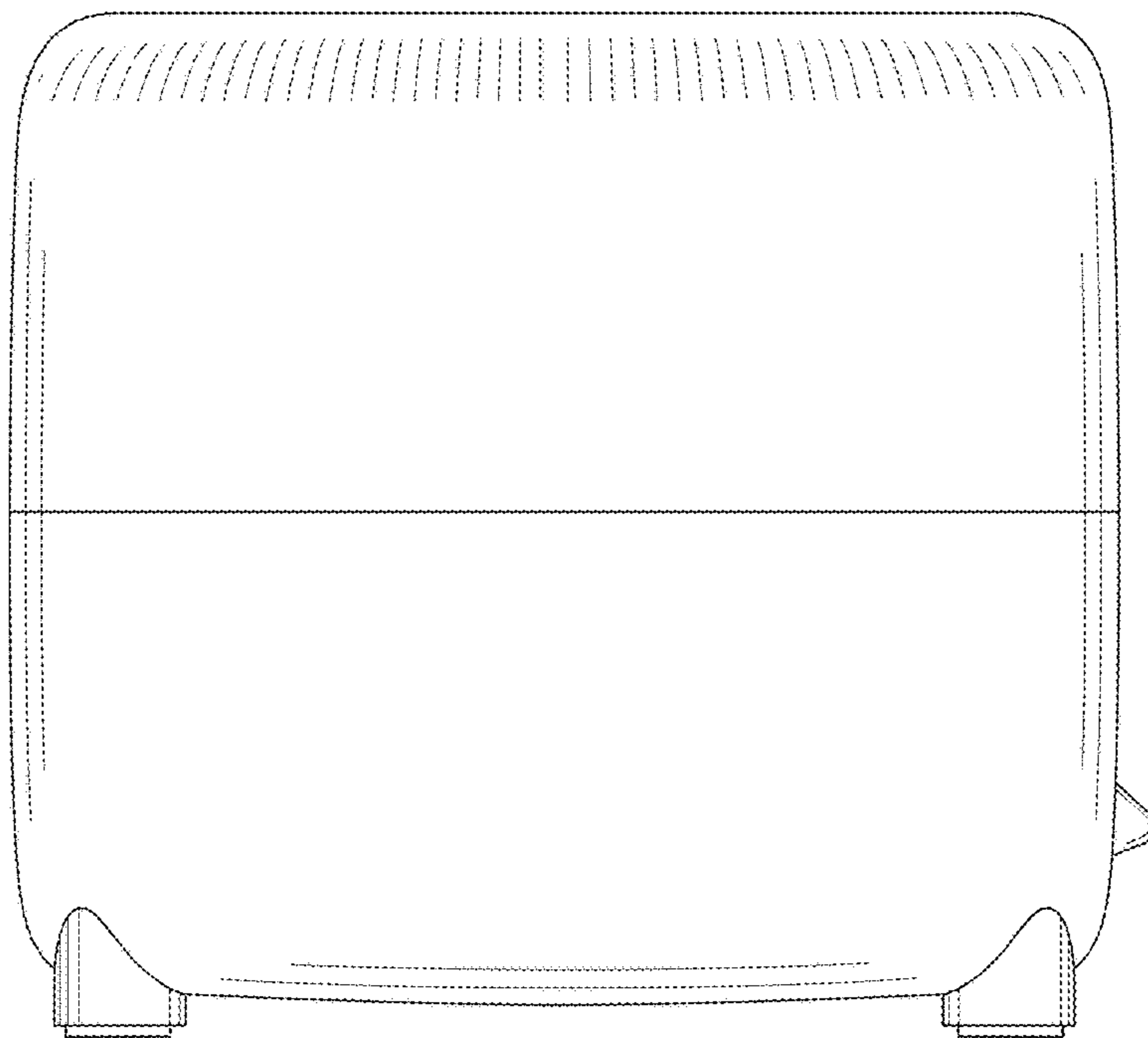


FIG. 12

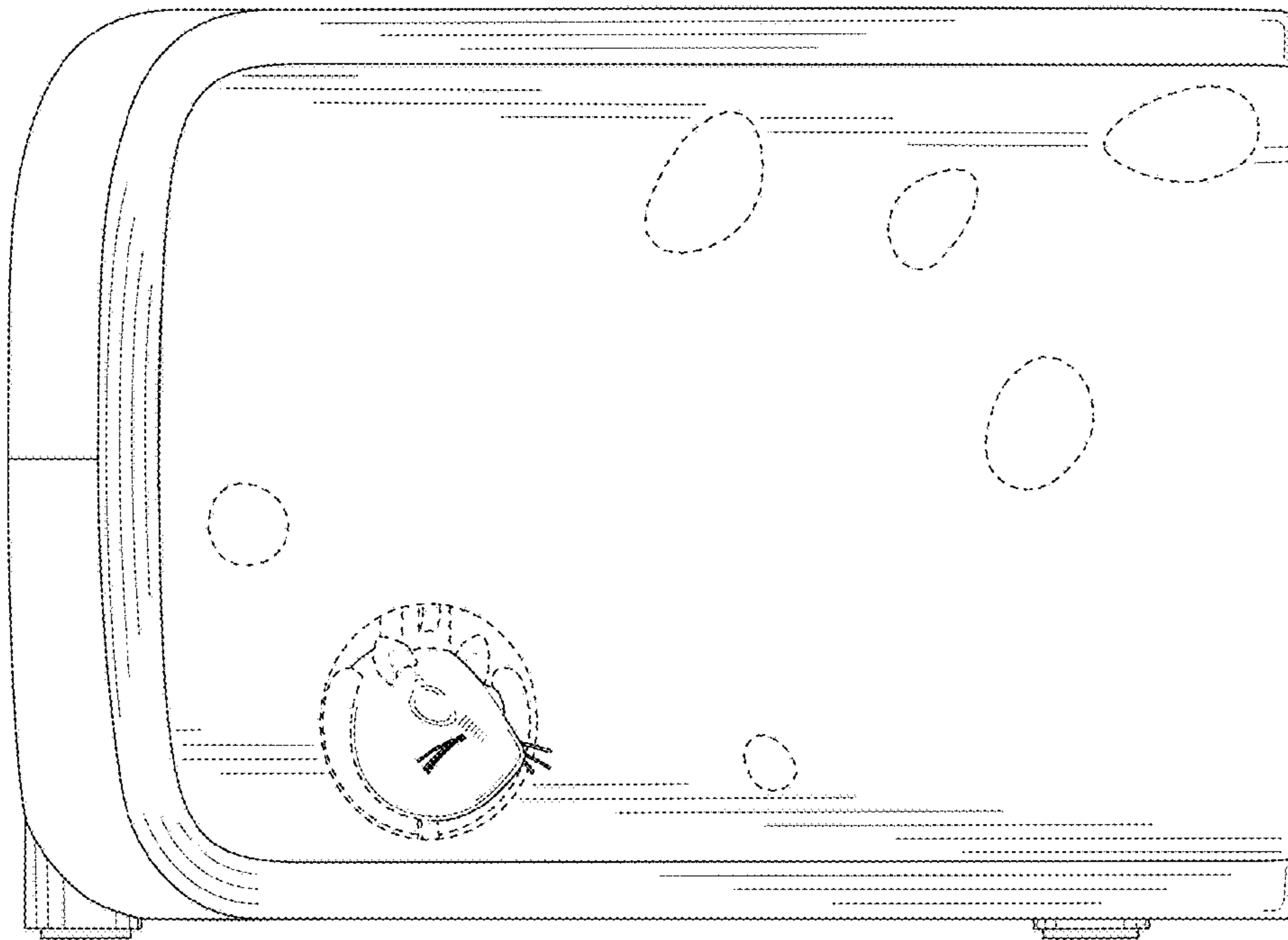


FIG. 13

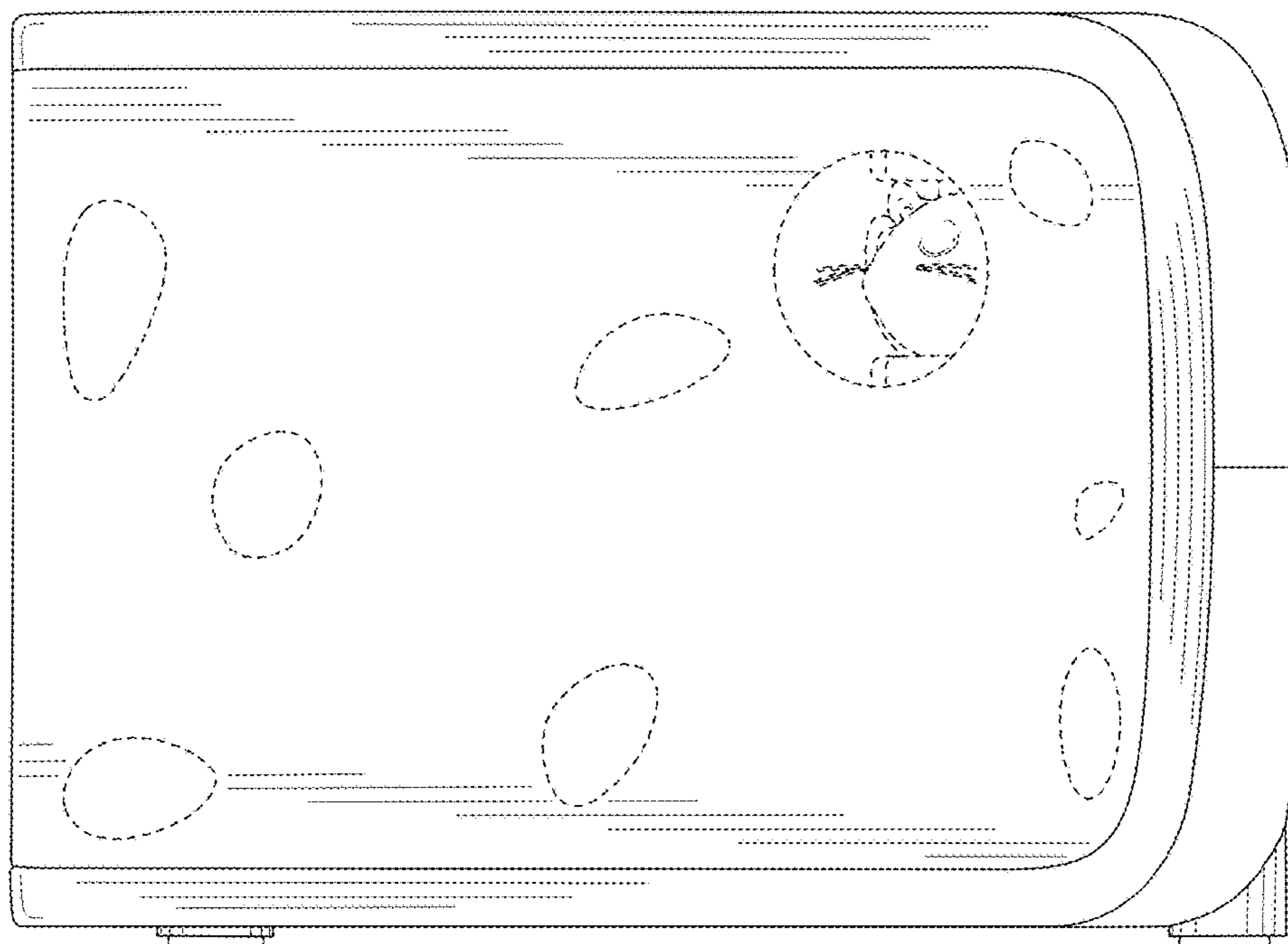


FIG. 14

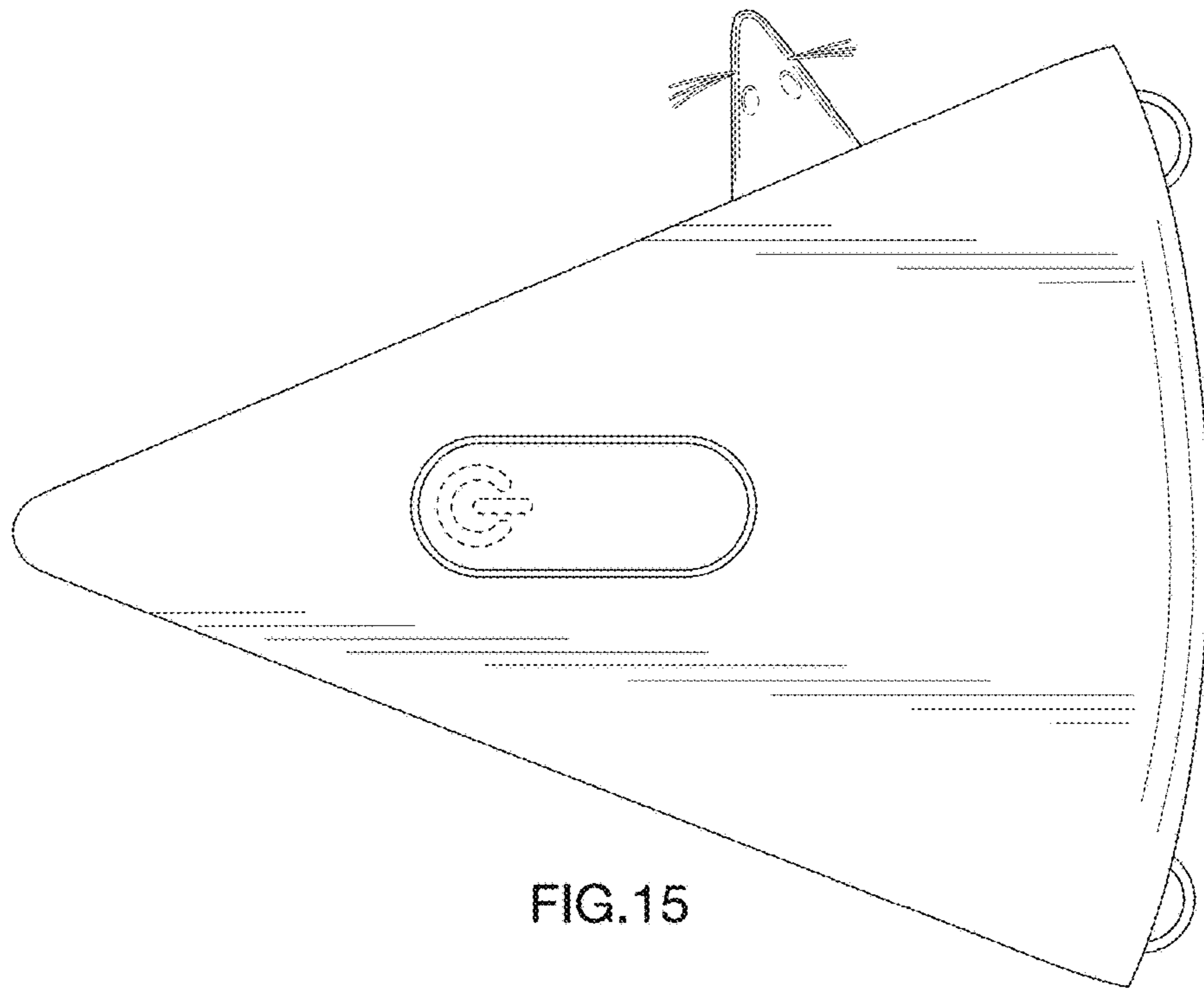


FIG.15

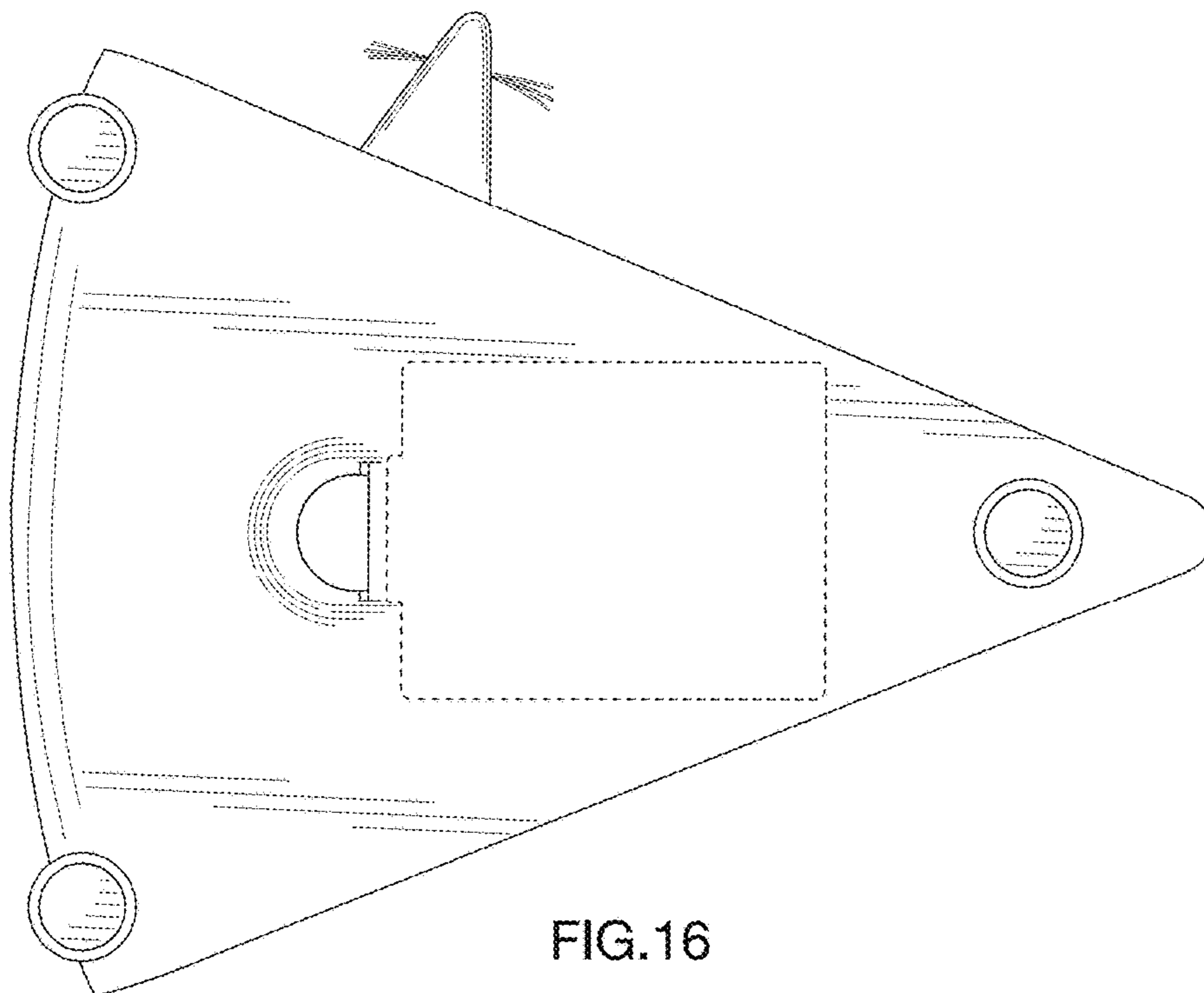


FIG.16