



US00D830007S

(12) **United States Design Patent** (10) **Patent No.:** **US D830,007 S**  
**Harris** (45) **Date of Patent:** **\*\* Oct. 2, 2018**

(54) **ANIMAL'S BOWL**

(57) **CLAIM**

(71) Applicant: **The Loving Bowl Corp.**, Toronto (CA)

The ornamental design for an animal's bowl, as shown and described.

(72) Inventor: **William A. Harris**, Oshawa (CA)

(73) Assignee: **Enhanced Pet Products Corp.**, Toronto (CA)

**DESCRIPTION**

(\*\*) Term: **15 Years**

FIG. 1 is a top left perspective view of a first embodiment of an animal's bowl;

(21) Appl. No.: **29/574,181**

FIG. 2 is a front elevational view of the first embodiment of the animal's bowl shown in FIG. 1;

(22) Filed: **Aug. 12, 2016**

FIG. 3 is a back elevational view of the first embodiment of the animal's bowl shown in FIG. 1;

(51) **LOC (11) Cl.** ..... **30-03**

FIG. 4 is a left side elevational view of the first embodiment of the animal's bowl shown in FIG. 1;

(52) **U.S. Cl.**

USPC ..... **D30/129**

FIG. 5 is a right side elevational view of the first embodiment of the animal's bowl shown in FIG. 1;

(58) **Field of Classification Search**

USPC .... D30/121, 122, 129-133; 119/61.5, 51.01, 119/61.56, 51.03, 59, 62, 63, 51.5, 57.8, 119/74, 61.54, 61.55; 312/204; 248/151, 248/188; 108/153.1-157; 220/23.87, 220/630, 737, 743, 9.4, 495.01, 574, 212, 220/255, 23.83; 206/515; D7/586, 543,  
(Continued)

FIG. 6 is a top plan view of the first embodiment of the animal's bowl shown in FIG. 1;

FIG. 7 is a bottom plan view of the first embodiment of the animal's bowl shown in FIG. 1;

FIG. 8 is a top left perspective view of a second embodiment of an animal's bowl having a reflective, stainless steel surface;

(56) **References Cited**

**U.S. PATENT DOCUMENTS**

766,427 A \* 8/1904 Crowell ..... A47G 19/02  
220/575  
1,272,996 A \* 7/1918 Poschadel ..... A47G 19/02  
220/575

FIG. 9 is a front elevational view of the second embodiment of the animal's bowl shown in FIG. 8;

FIG. 10 is a back elevational view of the second embodiment of the animal's bowl shown in FIG. 8;

FIG. 11 is a left side elevational view of the second embodiment of the animal's bowl shown in FIG. 8;

FIG. 12 is a right side elevational view of the second embodiment of the animal's bowl shown in FIG. 8;

FIG. 13 is a top plan view of the second embodiment of the animal's bowl shown in FIG. 8; and,

FIG. 14 is a bottom plan view of the second embodiment of the animal's bowl shown in FIG. 8.

The broken lines depict unclaimed features of the animal's bowl that are shown for illustrative purposes and form no part of the design claim.

(Continued)

**FOREIGN PATENT DOCUMENTS**

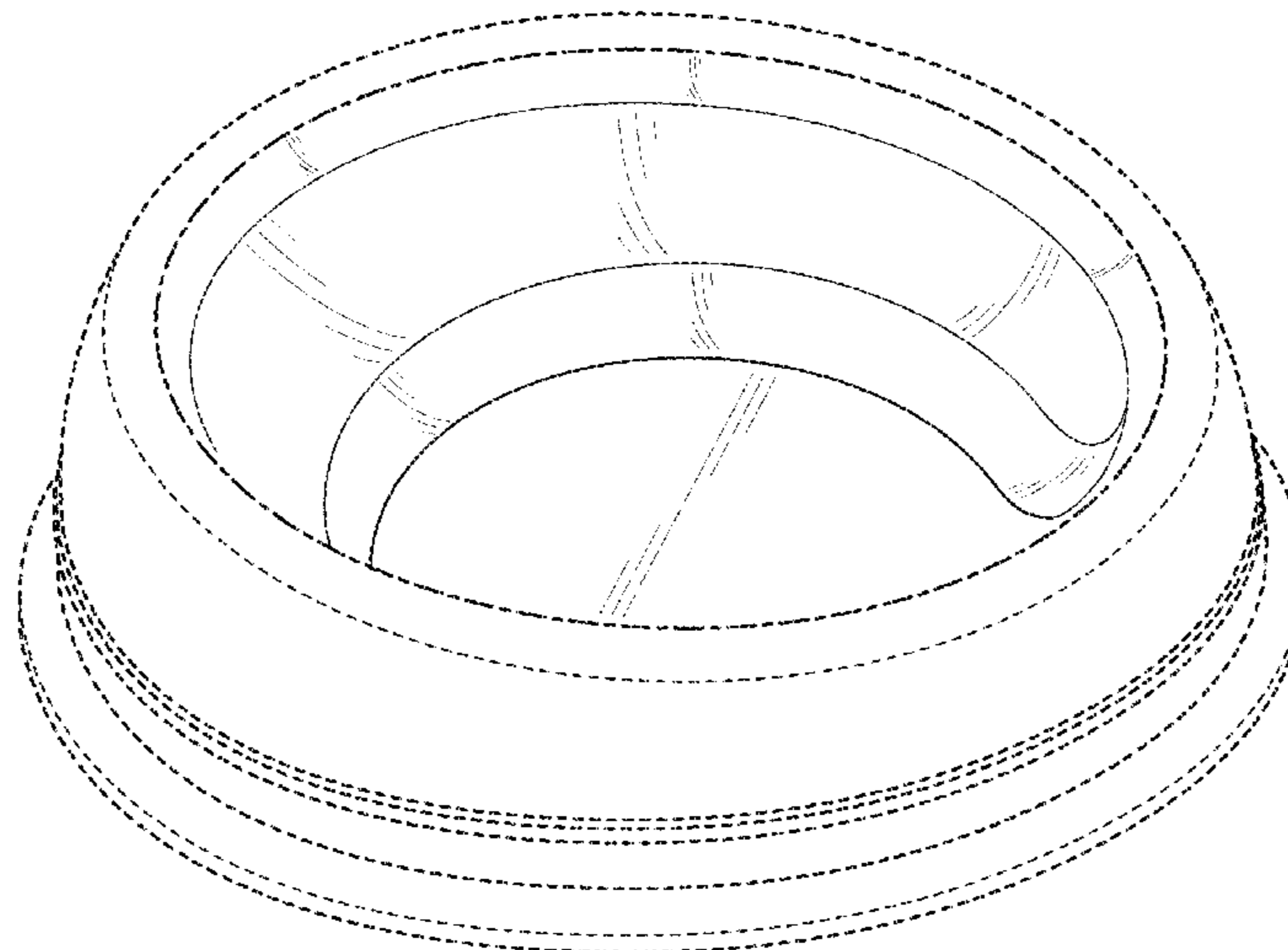
DE 3802989 A1 8/1989  
EP 1366657 A1 12/2003

(Continued)

*Primary Examiner* — Susan Moon Lee

(74) *Attorney, Agent, or Firm* — Barclay Damon LLP

**1 Claim, 14 Drawing Sheets**



(58) **Field of Classification Search**

USPC ..... D7/550.1, 587, 505, 584, 545, 500,  
 D7/553.1-553.8, 546, 555, 556, 504, 565,  
 D7/562, 602; D9/429; 43/109;  
 D22/122; 99/430, DIG. 15  
 CPC ..... A01K 5/0114; A01K 5/01; A01K 5/0135;  
 A01K 7/005; A01K 7/00; A01K 7/02;  
 A01K 5/0142; A01K 5/0121; A01K  
 5/0128; A01K 27/004; A01K 39/014;  
 A01K 39/00; A01K 39/02; A01K  
 39/0113; A47J 43/0727; A01M 29/34;  
 B29C 65/48; B65D 81/36

See application file for complete search history.

(56)

**References Cited**

U.S. PATENT DOCUMENTS

D52,278 S \* 8/1918 Kraus ..... 220/575  
 1,379,519 A \* 5/1921 Bjornsen ..... A47G 19/02  
 220/575  
 1,562,620 A 11/1925 Dill  
 D126,997 S \* 5/1941 Bentzen et al. .... 119/77  
 D158,159 S \* 4/1950 Verlod ..... D27/115  
 D162,371 S \* 3/1951 Bauer ..... D32/35  
 2,592,638 A \* 4/1952 Andrew ..... A01K 39/014  
 119/61.1  
 D168,283 S \* 12/1952 Adams ..... D7/555  
 D176,252 S \* 12/1955 Duncan ..... D7/555  
 2,771,755 A \* 11/1956 Di Costanzo ..... A47G 19/02  
 220/574  
 3,014,616 A \* 12/1961 Kavanaugh ..... A47G 19/26  
 206/0.8  
 3,611,998 A \* 10/1971 Loscalzo ..... A01K 5/0114  
 119/61.54  
 D229,074 S 11/1973 Cuprak  
 4,351,444 A \* 9/1982 Majewski ..... A47G 19/30  
 220/23.83  
 4,436,056 A \* 3/1984 MacLeod ..... A01K 5/0135  
 119/61.54  
 D279,175 S \* 6/1985 Eklof ..... D11/143  
 D305,846 S \* 2/1990 Griffith ..... D7/505  
 4,986,434 A \* 1/1991 Prestly, Jr. .... A47G 19/02  
 220/555  
 D321,572 S 11/1991 Laden  
 5,172,826 A \* 12/1992 Celaya ..... A47G 19/02  
 220/574  
 5,207,182 A \* 5/1993 Lorenzana ..... A01K 7/02  
 119/75  
 5,341,953 A \* 8/1994 Forester ..... A47G 19/02  
 220/575  
 D352,139 S \* 11/1994 King ..... D30/130  
 D367,587 S \* 3/1996 Perlmutter ..... D7/553.3  
 D371,643 S \* 7/1996 Lillielund ..... D30/122  
 5,542,565 A 8/1996 Hidalgo-Lopez  
 5,676,275 A \* 10/1997 Khattar ..... A47G 19/02  
 220/23.83  
 D390,419 S \* 2/1998 Perlmutter ..... D7/549  
 D410,820 S \* 6/1999 Lofrano ..... D7/507  
 D413,044 S \* 8/1999 Zappolo ..... D7/555  
 6,032,824 A \* 3/2000 Barrow ..... A01K 5/0135  
 220/621  
 D424,757 S \* 5/2000 Cooper ..... D30/129  
 D436,697 S \* 1/2001 Fiore ..... D30/118  
 D440,362 S \* 4/2001 Thornberg ..... D30/130  
 D446,362 S \* 8/2001 Choi ..... A01K 5/0135  
 D30/129  
 D466,256 S \* 11/2002 Kaplan ..... D30/129  
 D467,044 S 12/2002 Tangolics  
 D470,631 S \* 2/2003 Teufel ..... D30/132  
 6,516,747 B1 \* 2/2003 Willinger ..... A01K 5/0114  
 119/61.54  
 D471,677 S \* 3/2003 Northrop ..... D30/129  
 D472,021 S \* 3/2003 Northrop ..... D30/129

6,539,893 B1 \* 4/2003 Otto-Lubker ..... A01K 39/0125  
 119/61.5  
 D481,594 S \* 11/2003 Roehrig ..... D7/555  
 D493,672 S \* 8/2004 Jalet ..... D7/586  
 D497,041 S \* 10/2004 Plante ..... D30/130  
 D498,564 S \* 11/2004 Northrop ..... D30/121  
 D503,310 S \* 3/2005 Jalet ..... D7/586  
 D504,196 S \* 4/2005 Huthmaker ..... D30/129  
 D516,424 S \* 3/2006 Schweigert ..... D9/447  
 D541,994 S \* 5/2007 Dana ..... D30/129  
 D576,448 S \* 9/2008 Harris ..... D7/505  
 D587,332 S \* 2/2009 Queli ..... D21/815  
 D590,109 S \* 4/2009 Anderson ..... D30/129  
 D600,861 S \* 9/2009 Sin ..... D30/129  
 D600,862 S \* 9/2009 Sin ..... D30/129  
 D618,511 S \* 6/2010 Lugacy ..... D7/546  
 D623,806 S \* 9/2010 Modi ..... D30/129  
 7,856,944 B1 \* 12/2010 Stauffer ..... A01K 5/0114  
 119/61.5  
 D633,340 S \* 3/2011 Roberts ..... D7/549  
 D636,944 S \* 4/2011 Anderson ..... D30/129  
 D636,945 S \* 4/2011 Anderson ..... D30/129  
 D637,770 S \* 5/2011 Lipscomb ..... D30/121  
 D652,683 S \* 1/2012 Munoz ..... D7/555  
 D658,819 S \* 5/2012 Lipscomb ..... D30/121  
 D659,296 S \* 5/2012 Anderson ..... D30/129  
 8,172,078 B1 \* 5/2012 Vogel ..... B65D 81/3222  
 206/219  
 D665,134 S \* 8/2012 Lipscomb ..... D30/121  
 8,337,073 B2 \* 12/2012 Roberts ..... A47G 19/02  
 220/575  
 8,348,083 B2 \* 1/2013 Light ..... A47G 19/02  
 220/529  
 8,490,823 B2 \* 7/2013 Sirota ..... A47G 19/02  
 220/574  
 D692,623 S \* 10/2013 Lipscomb ..... A01K 7/005  
 D30/121  
 D703,393 S \* 4/2014 Henley ..... D30/129  
 8,883,242 B1 \* 11/2014 Fischell ..... A47G 19/02  
 220/575  
 D735,035 S \* 7/2015 Lane ..... D9/447  
 9,204,743 B2 \* 12/2015 Sirota ..... A47G 19/08  
 D756,042 S \* 5/2016 Kulesus ..... D30/129  
 D767,952 S \* 10/2016 Ioncescu ..... D7/647  
 D780,992 S \* 3/2017 Lozier ..... D27/103  
 D782,749 S \* 3/2017 Michizoe ..... D30/129  
 9,603,338 B2 \* 3/2017 Harris ..... A01K 5/0114  
 D790,927 S \* 7/2017 Reyhan ..... D7/555  
 9,723,812 B2 \* 8/2017 Jones ..... A01K 5/0114  
 D801,121 S \* 10/2017 Kerr ..... D7/554.2  
 2002/0185073 A1 \* 12/2002 Fullerton ..... A01K 5/01  
 119/51.01  
 2004/0231607 A1 \* 11/2004 Hollinger ..... A01K 5/0114  
 119/61.54  
 2005/0039689 A1 \* 2/2005 Mossmer ..... A01K 5/0128  
 119/61.5  
 2006/0207993 A1 \* 9/2006 Copeland ..... A47G 19/02  
 220/574  
 2007/0199512 A1 \* 8/2007 Ellis ..... A01K 7/005  
 119/61.54  
 2007/0245968 A1 \* 10/2007 Iljas ..... A01K 5/0135  
 119/61.54  
 2008/0022937 A1 \* 1/2008 Shirley ..... A01K 7/005  
 119/72  
 2008/0053374 A1 3/2008 Kerrigan et al.  
 2008/0072829 A1 \* 3/2008 Kerrigan ..... A01K 5/0114  
 119/61.5  
 2008/0141945 A1 6/2008 Markham  
 2009/0044755 A1 2/2009 Volotzky  
 2009/0126641 A1 5/2009 Anderson et al.  
 2010/0012042 A1 \* 1/2010 Lee ..... A01K 5/01  
 119/61.5  
 2010/0065072 A1 \* 3/2010 Ying Ching ..... A24F 19/0028  
 131/231  
 2011/0259273 A1 \* 10/2011 Lipscomb ..... A01K 7/02  
 119/74  
 2011/0308470 A1 12/2011 Vermeegen

(56)

**References Cited**

U.S. PATENT DOCUMENTS

2013/0125823 A1 5/2013 Simon et al.  
2015/0114302 A1 4/2015 Harris  
2017/0127648 A1\* 5/2017 O'Donnell ..... A01K 5/0114

FOREIGN PATENT DOCUMENTS

JP 2006211918 A 8/2006  
JP 2012110313 A 6/2012  
WO WO 03069985 A1 8/2003

\* cited by examiner

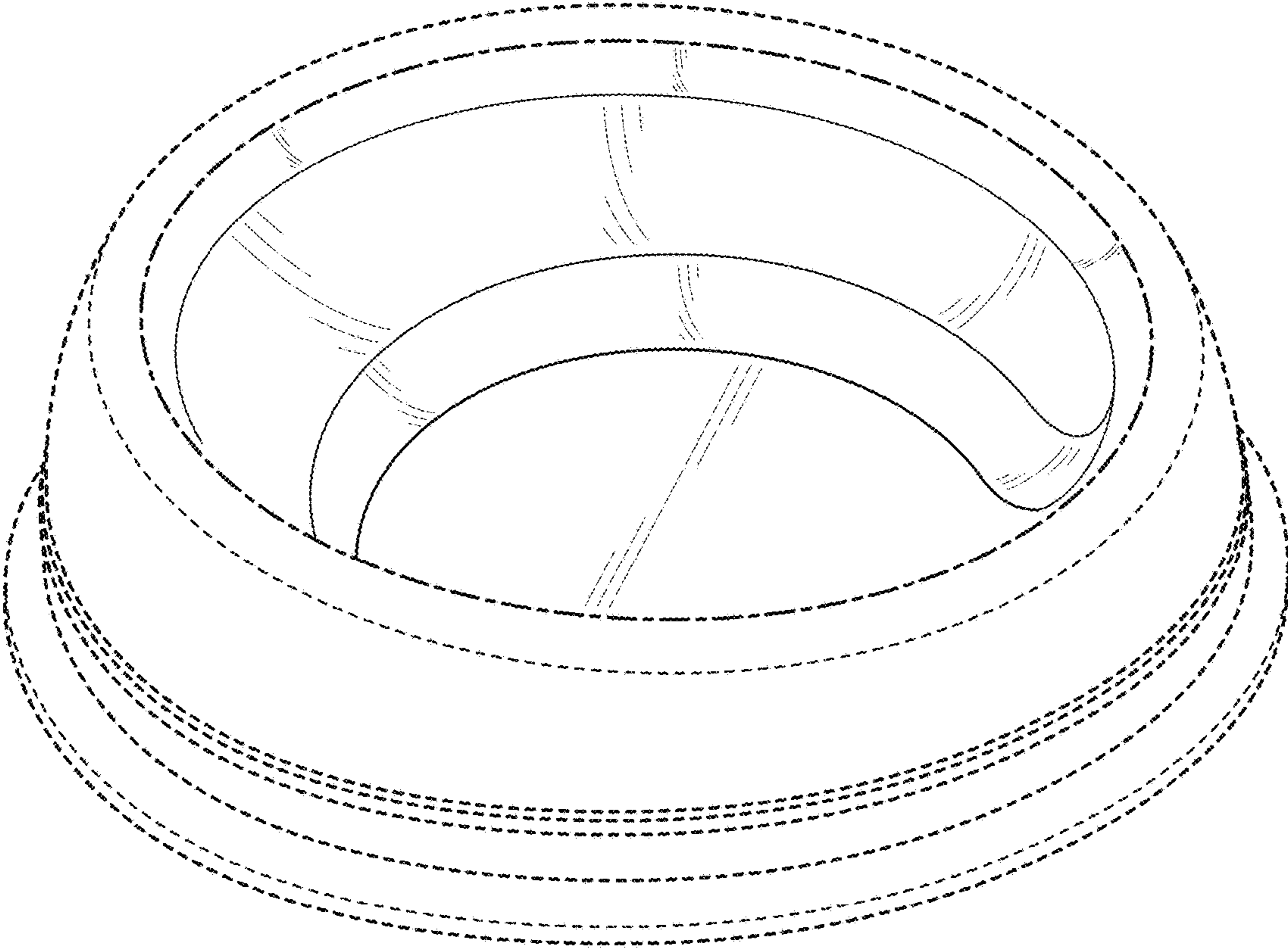


FIG. 1

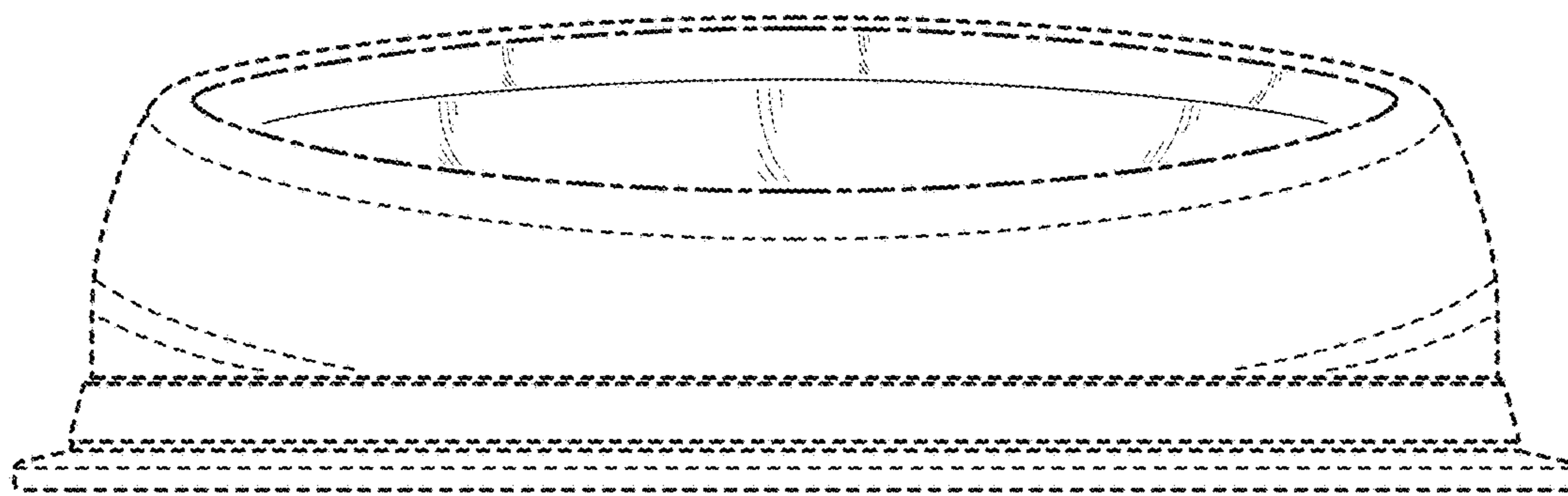


FIG. 2

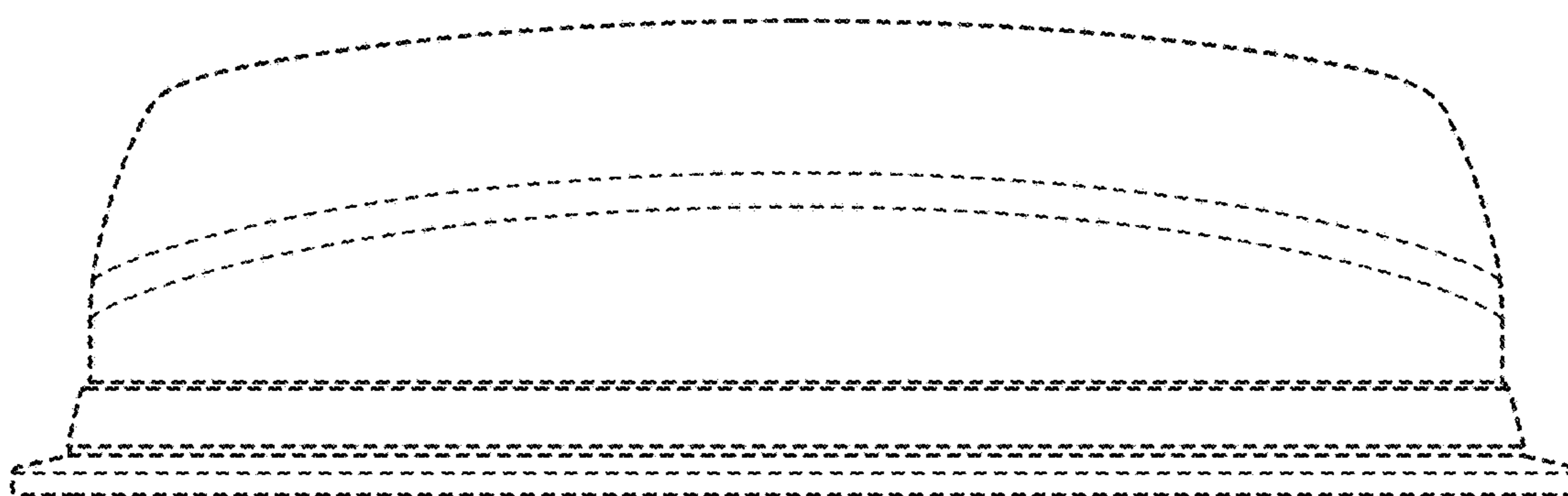


FIG. 3

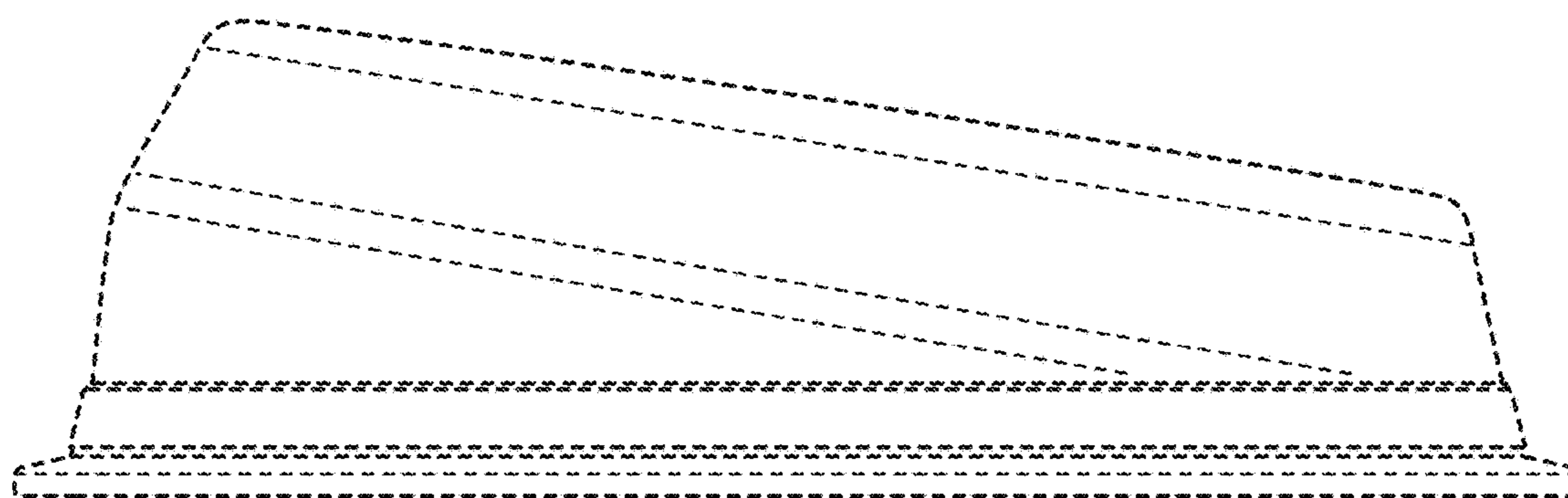


FIG. 4

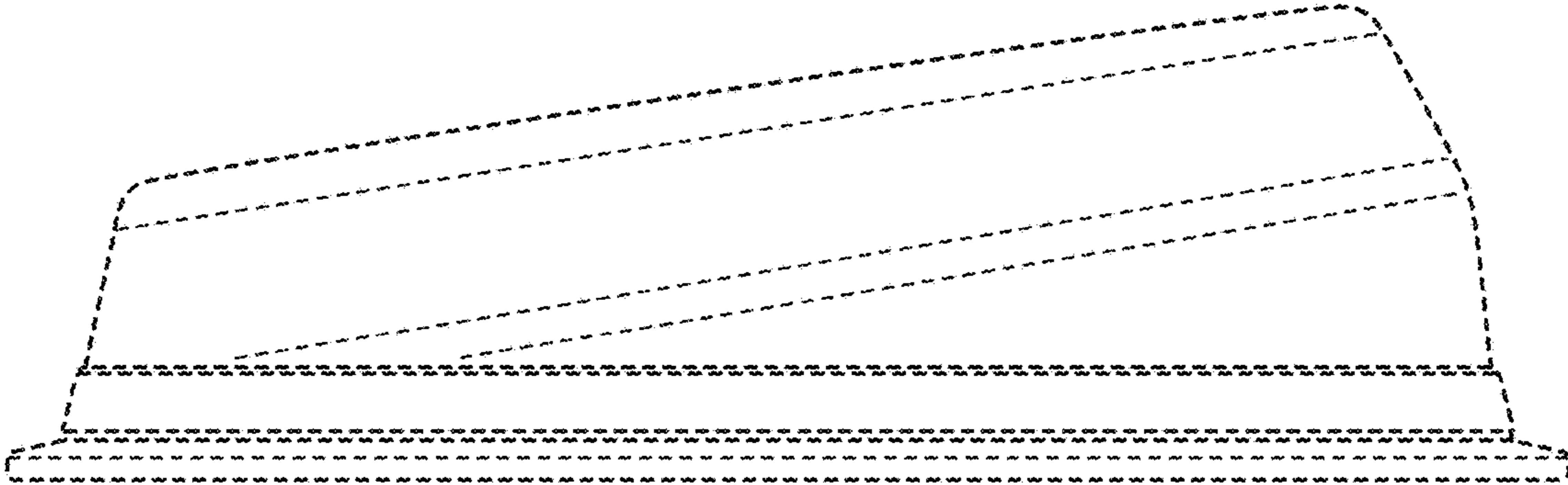


FIG. 5



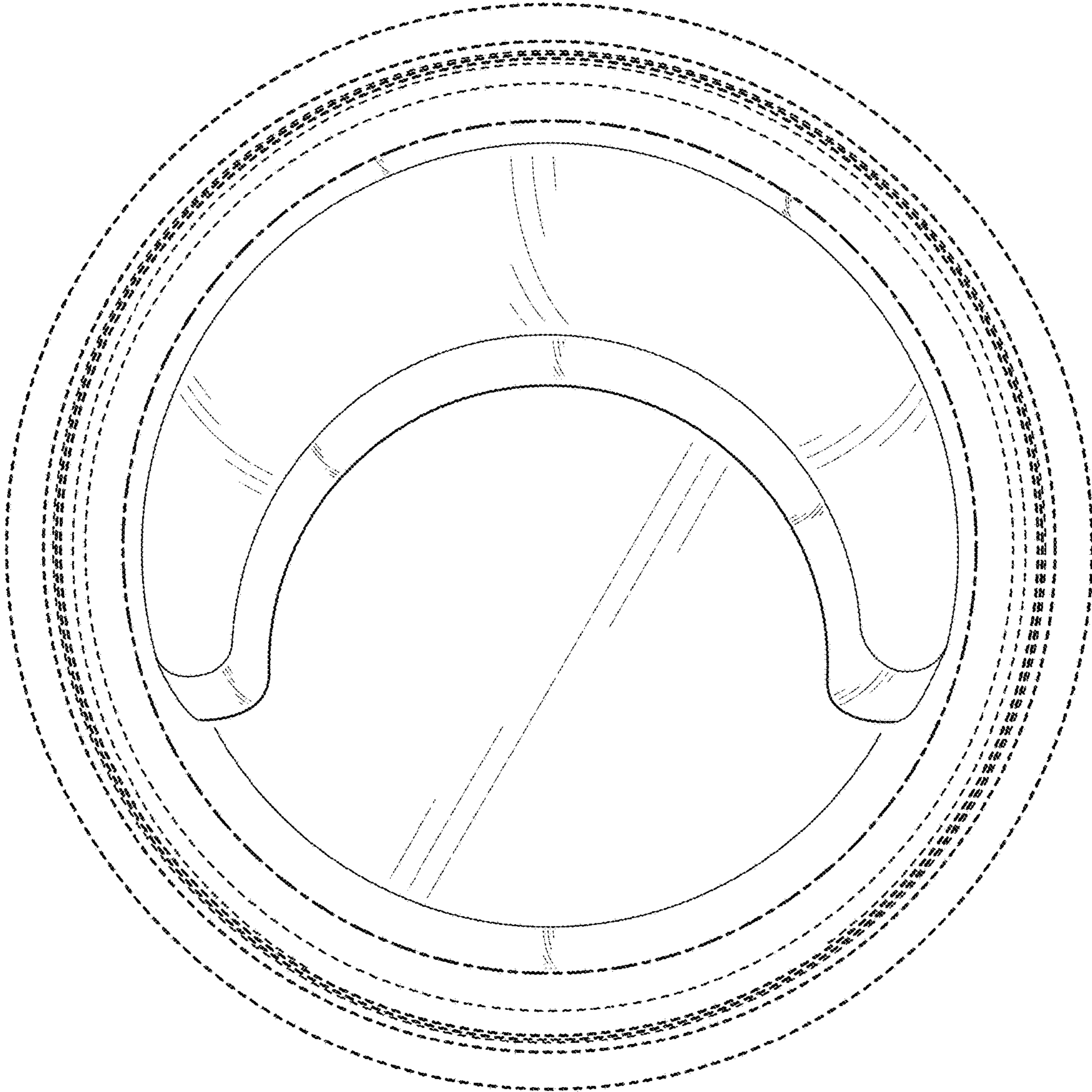


FIG. 6

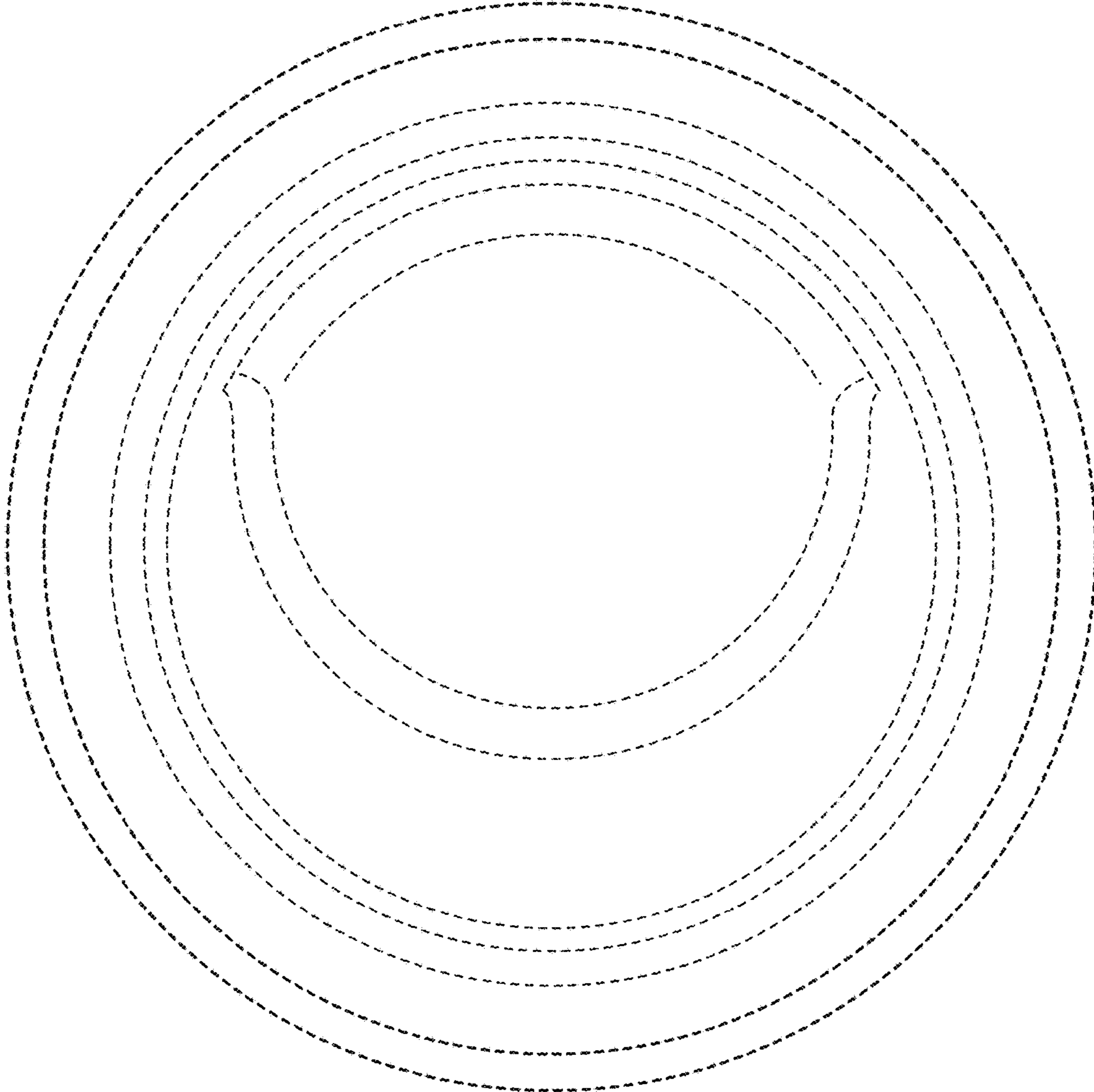


FIG. 7

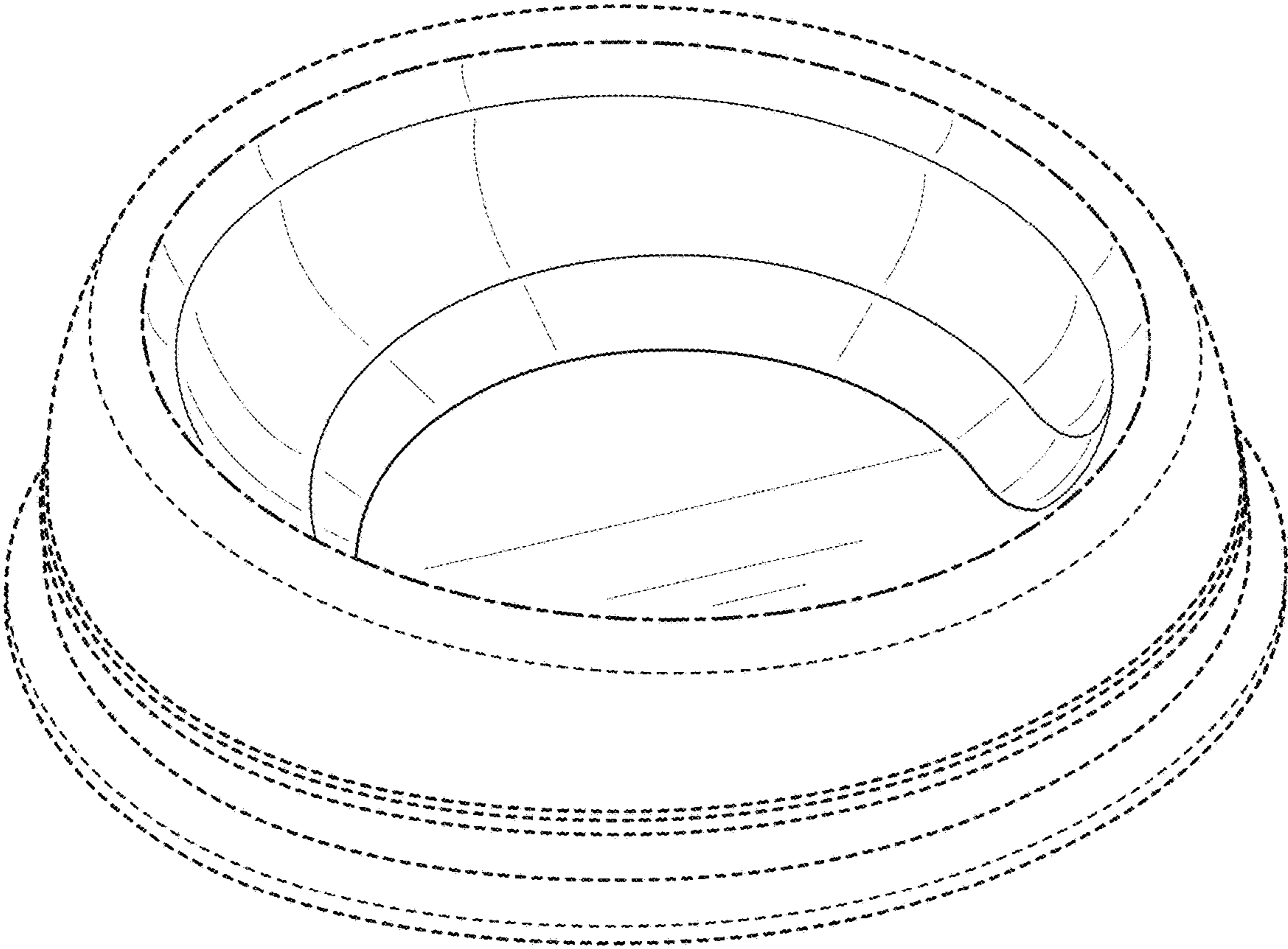


FIG. 8

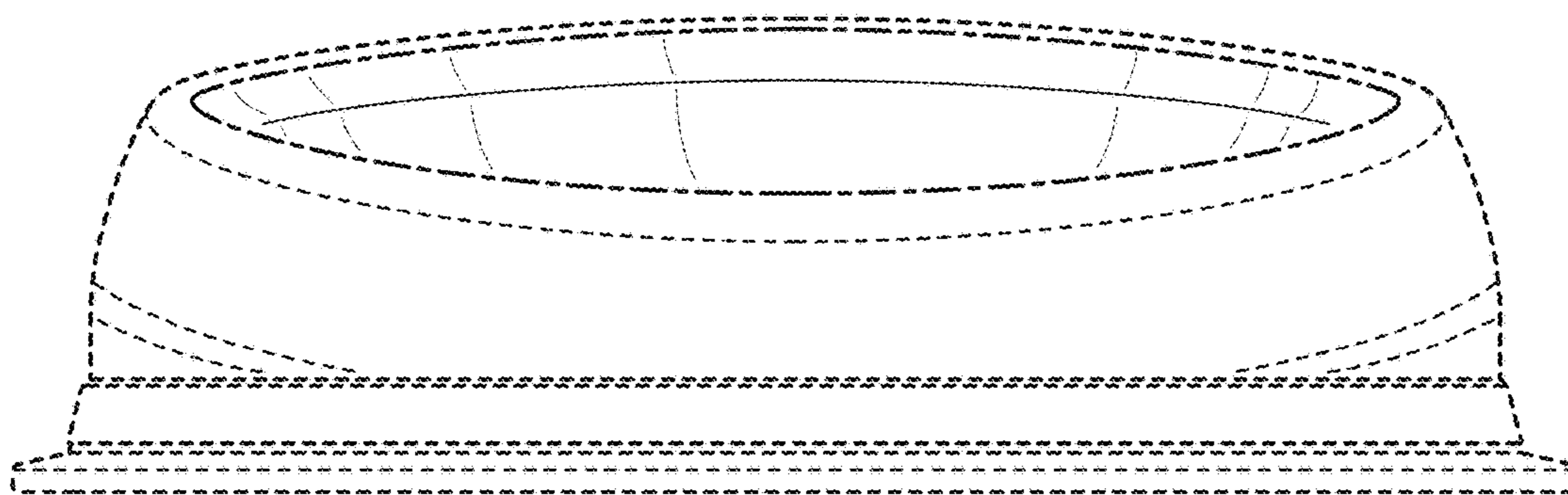


FIG. 9

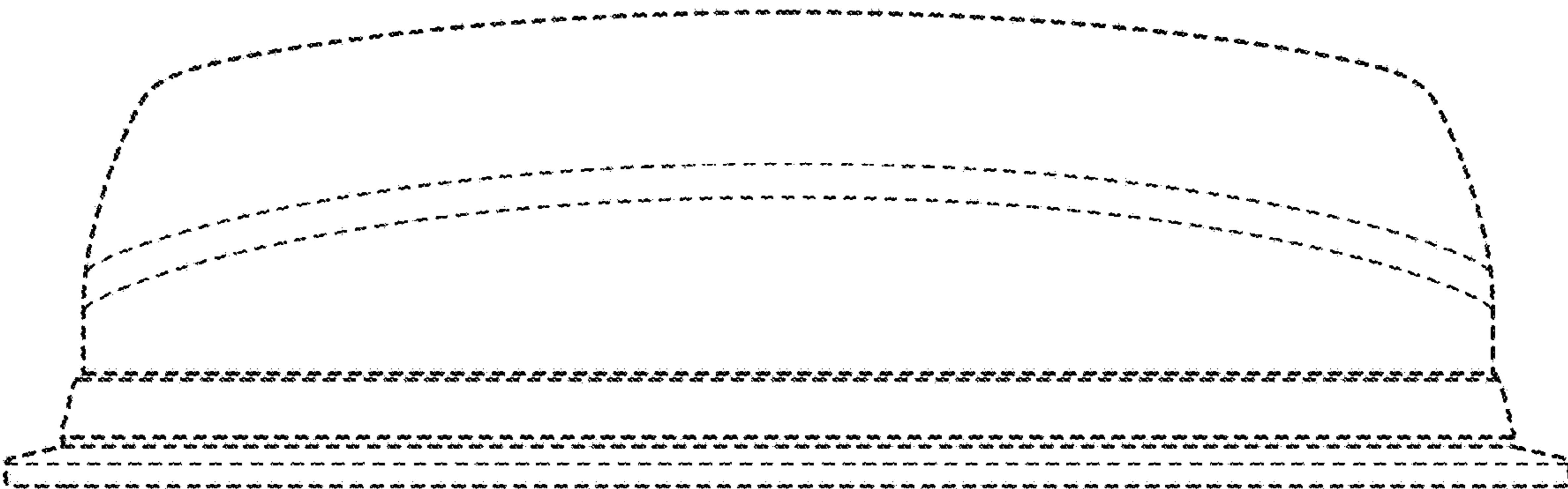


FIG. 10

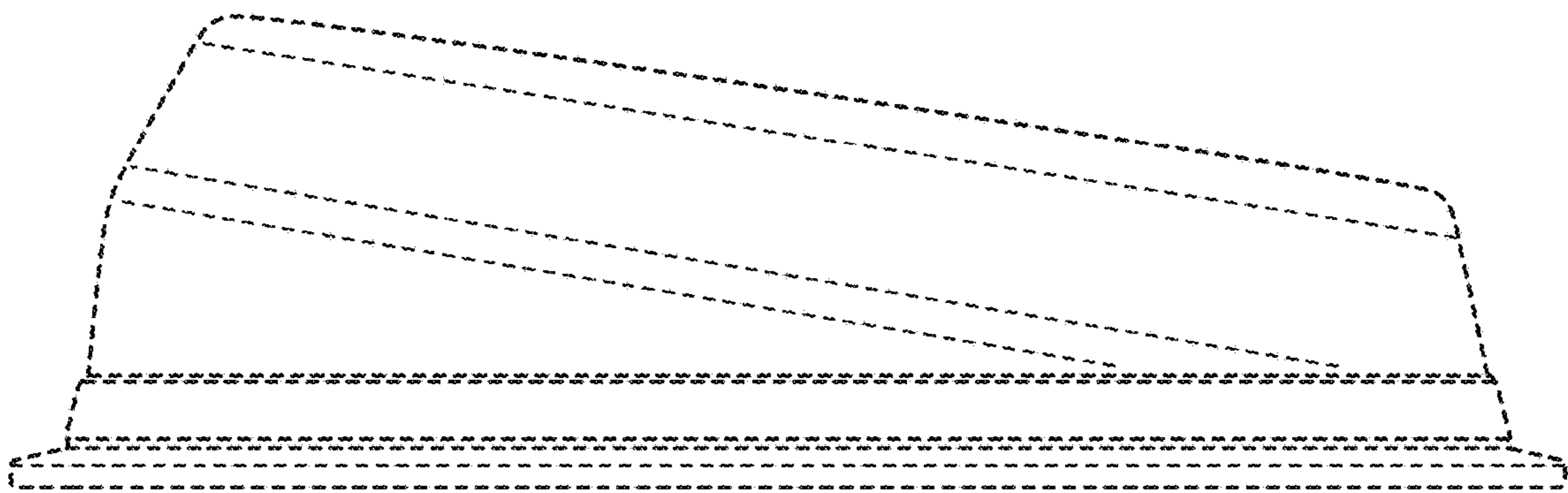


FIG. 11

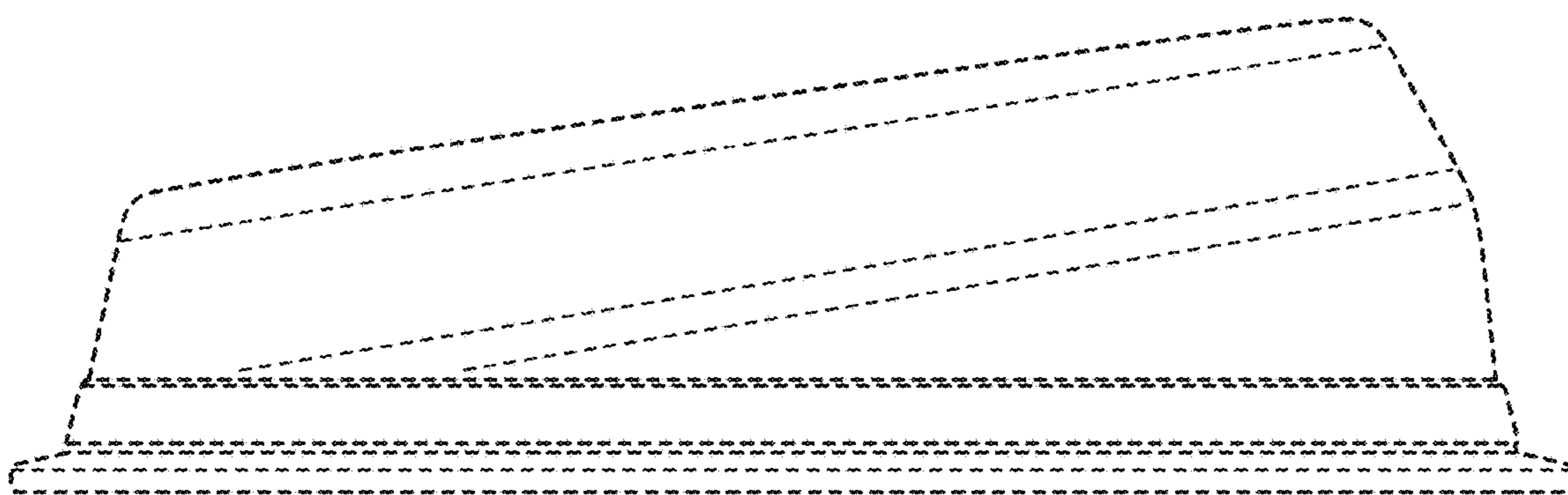


FIG. 12

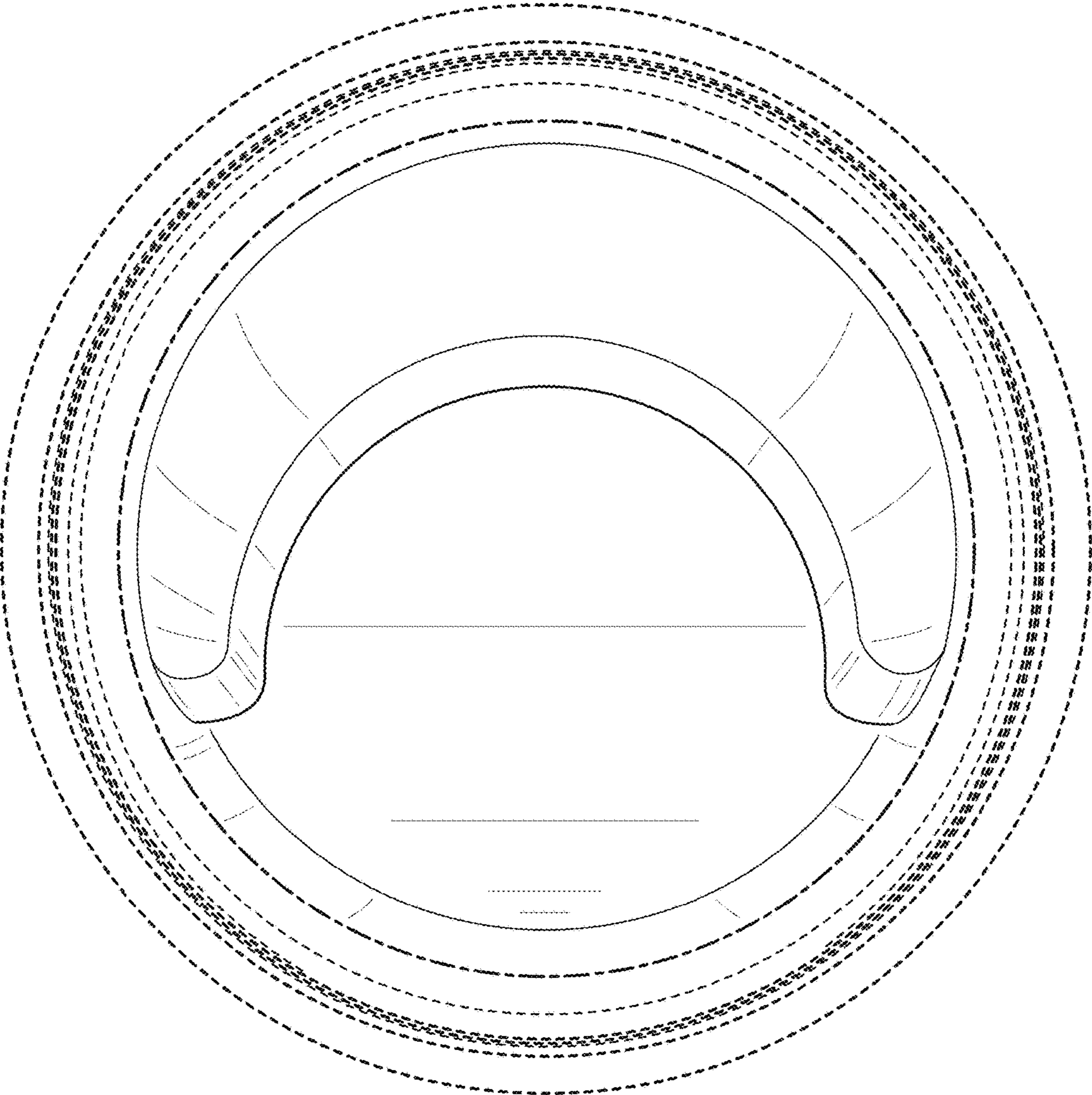


FIG. 13



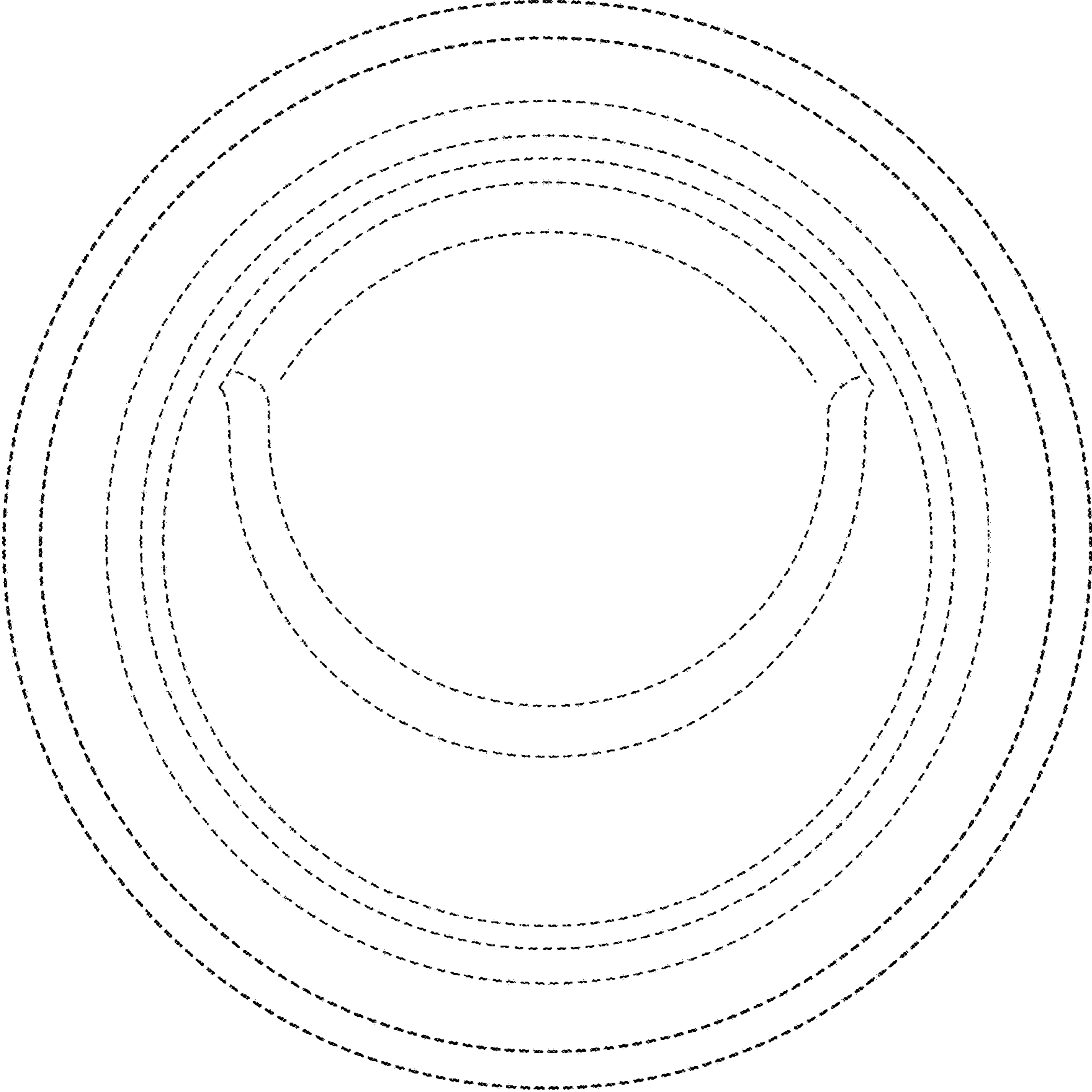


FIG. 14