



US00D830006S

(12) **United States Design Patent**  
**Donegan et al.**

(10) **Patent No.:** **US D830,006 S**  
(45) **Date of Patent:** **\*\* Oct. 2, 2018**

(54) **REVERSIBLE INSERT FOR A BIRD FEEDER**

(71) Applicant: **Classic Brands, LLC**, Denver, CO (US)

(72) Inventors: **Robert Donegan**, Denver, CO (US);  
**James Carter**, Denver, CO (US);  
**Bryan Krueger**, Denver, CO (US)

(73) Assignee: **Classic Brands, LLC**, Denver, CO (US)

(\*\*) Term: **15 Years**

(21) Appl. No.: **29/634,629**

(22) Filed: **Jan. 23, 2018**

**Related U.S. Application Data**

(63) Continuation of application No. 14/514,196, filed on Oct. 14, 2014, which is a continuation-in-part of application No. 13/107,841, filed on May 13, 2011, now Pat. No. 8,857,374.

(51) **LOC (11) Cl.** ..... **30-03**

(52) **U.S. Cl.**  
USPC ..... **D30/124**; D30/127; D30/199

(58) **Field of Classification Search**  
USPC ..... D30/124–128, 121, 133, 199, 110–119;  
119/51.01, 51.5, 52.1–57, 57.5,  
119/57.8–57.91, 59, 61.1–61.31, 416–421,  
119/427, 428–435, 452–454, 459–478,  
119/482–501, 531–537, 72–75, 678, 174;  
221/44, 241, 304; 222/142.2,  
222/142.3–142.9; D19/100, 99, 65, 75,  
D19/76, 86, 89–92, 62, 101, 108, 109, 37,  
D19/40, 112, 113, 124, 132, 133, 192,  
D19/202–204, 59, 32–34, 20, 9–12, 1, 2,  
D19/5; D3/1, 2, 20, 26, 247–253, 318,  
D3/319, 321, 322; D5/1–3, 4, 7, 11, 99;  
D20/2, 10, 11, 13, 22, 27, 28, 40, 42–44,  
D20/99; D32/31, 29; D28/37, 34, 35,  
(Continued)

(56) **References Cited**

U.S. PATENT DOCUMENTS

793,379 A \* 6/1905 Jones ..... F24C 15/10  
126/215  
1,166,100 A \* 12/1915 White ..... A01K 31/14  
119/428  
D100,012 S \* 6/1936 Ford ..... D7/337  
(Continued)

*Primary Examiner* — Susan Moon Lee

(74) *Attorney, Agent, or Firm* — Polsinelli PC

(57) **CLAIM**

The ornamental design for a reversible insert for a bird feeder, as shown and described.

**DESCRIPTION**

FIG. 1 is an isometric view of a reversible insert for a bird feeder showing our new design inserted in a first orientation into a bird feeder.

FIG. 2 is a perspective view of the reversible insert for a bird feeder.

FIG. 3 is a front view of the reversible insert for a bird feeder shown in the first orientation.

FIG. 4 is a front view of the reversible insert for a bird feeder shown in a second orientation.

FIG. 5 is a side view of the reversible insert for a bird feeder.

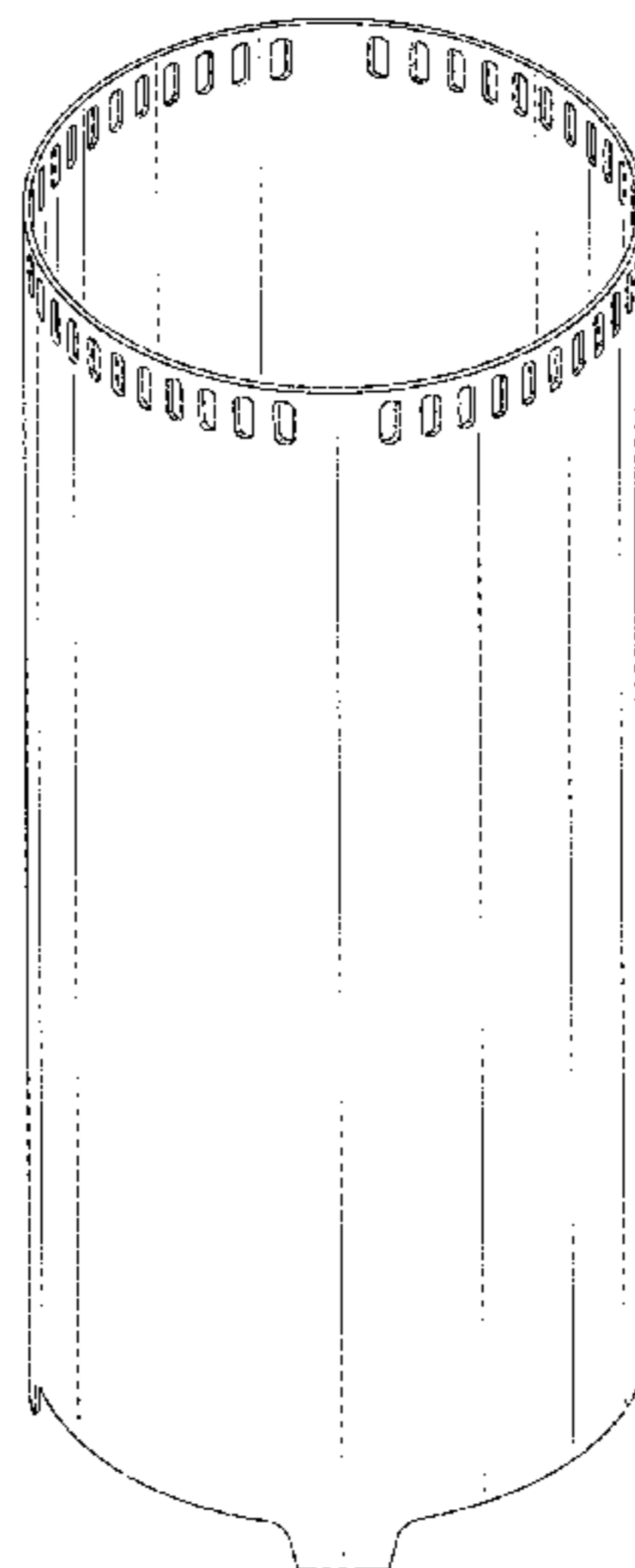
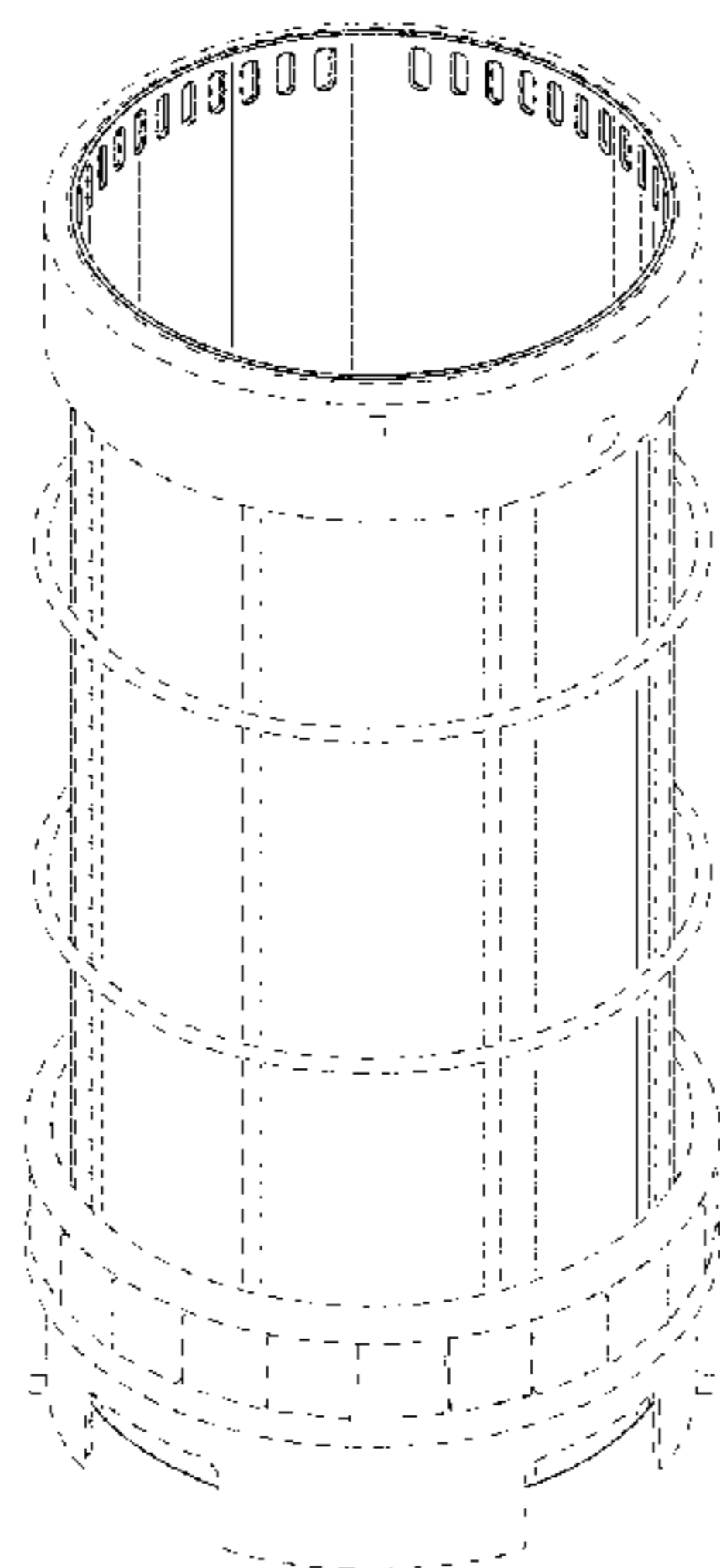
FIG. 6 is a top view of the reversible insert for a bird feeder; and,

FIG. 7 is a bottom view of the reversible insert for a bird feeder.

The broken lines shown in the Figures are environment only and form no part of the claimed design.

The shade lines in the Figures show contour and do not claim surface ornamentation or treatment.

**1 Claim, 7 Drawing Sheets**



# US D830,006 S

Page 2

(58) **Field of Classification Search**

USPC ..... D28/36, 9, 10; D6/695.4, 709.2, 708.16,  
D6/703.5, 703.4, 703, 702, 703.1, 696.3  
CPC .... A01K 39/00; A01K 39/01; A01K 39/0106;  
A01K 39/0113; A01K 39/012; A01K  
39/04; A01K 39/06; A01K 31/00; A01K  
31/02; A01K 31/10; A01K 31/12; A01K  
31/14

See application file for complete search history.

(56) **References Cited**

U.S. PATENT DOCUMENTS

D179,424 S \* 12/1956 Olejniczak ..... D6/661.3  
3,295,498 A \* 1/1967 Brown ..... A01K 31/14  
119/429  
D244,259 S \* 5/1977 Bergstein ..... D30/101  
4,167,917 A \* 9/1979 Noll ..... A01K 39/014  
119/429  
4,434,745 A \* 3/1984 Perkins ..... A01K 39/0106  
119/57.9  
D286,002 S \* 10/1986 Brix ..... D7/332  
4,905,659 A \* 3/1990 Armistead ..... A47J 37/0763  
126/25 A  
D330,818 S \* 11/1992 Brandt ..... D3/294  
5,558,040 A \* 9/1996 Colwell ..... A01K 39/012  
119/52.2  
5,682,872 A \* 11/1997 Whitted ..... F24C 1/16  
110/241  
D393,303 S \* 4/1998 Van Wagenen ..... D21/827  
5,782,200 A \* 7/1998 Knowles ..... A01K 39/012  
119/53  
5,797,386 A \* 8/1998 Orr ..... A47J 37/0704  
126/25 A  
D406,316 S \* 3/1999 Rao ..... D23/209  
5,915,371 A \* 6/1999 Hering ..... F24C 1/16  
126/30  
D434,980 S \* 12/2000 Suzuki ..... D9/418  
6,688,301 B1 \* 2/2004 McNeill ..... A47J 37/0786  
126/25 B  
D493,053 S \* 7/2004 Snell ..... D6/520

6,866,004 B1 \* 3/2005 Lush ..... A01K 39/012  
119/52.1  
D503,630 S \* 4/2005 Bertolotti ..... D10/50  
6,913,013 B1 \* 7/2005 Mize ..... A47J 37/079  
126/25 B  
7,032,538 B1 \* 4/2006 Lush ..... A01K 39/012  
119/459  
7,032,587 B2 \* 4/2006 McNeill ..... A47J 37/0786  
126/25 B  
D544,153 S \* 6/2007 Obenshain ..... D30/125  
7,506,611 B1 \* 3/2009 Lush ..... A01K 5/0225  
119/52.1  
7,739,982 B2 \* 6/2010 Cote ..... A01K 39/0113  
119/52.2  
7,832,909 B2 \* 11/2010 Wang ..... F21S 8/026  
362/364  
D644,474 S \* 9/2011 Wilgus ..... D7/332  
8,230,848 B2 \* 7/2012 Fou ..... A47J 37/07  
126/25 R  
D667,529 S \* 9/2012 Vreeland ..... D23/209  
D698,641 S \* 2/2014 Theisen ..... D9/418  
D701,721 S \* 4/2014 Jan ..... D7/332  
8,857,374 B1 \* 10/2014 Donegan ..... A01K 39/012  
119/52.2  
D798,660 S \* 10/2017 Nadal ..... D7/407  
D807,103 S \* 1/2018 Lorenz ..... D7/332  
9,943,188 B2 \* 4/2018 Fitzgerald ..... A47J 33/00  
2004/0134436 A1 \* 7/2004 Fort, II ..... A01K 39/012  
119/57.8  
2006/0207512 A1 \* 9/2006 Fort, II ..... A01K 39/012  
119/57.8  
2008/0276874 A1 \* 11/2008 Evans ..... A01K 31/12  
119/57.8  
2012/0060819 A1 \* 3/2012 Hunt ..... A47J 36/2477  
126/1 R  
2012/0234249 A1 \* 9/2012 Gaze ..... A01K 39/012  
119/57.8  
2013/0125826 A1 \* 5/2013 Meter ..... A01K 39/00  
119/302  
2014/0202363 A1 \* 7/2014 Hiraguri ..... F23G 5/24  
110/224  
2016/0245529 A1 \* 8/2016 McClean ..... F21L 26/00

\* cited by examiner

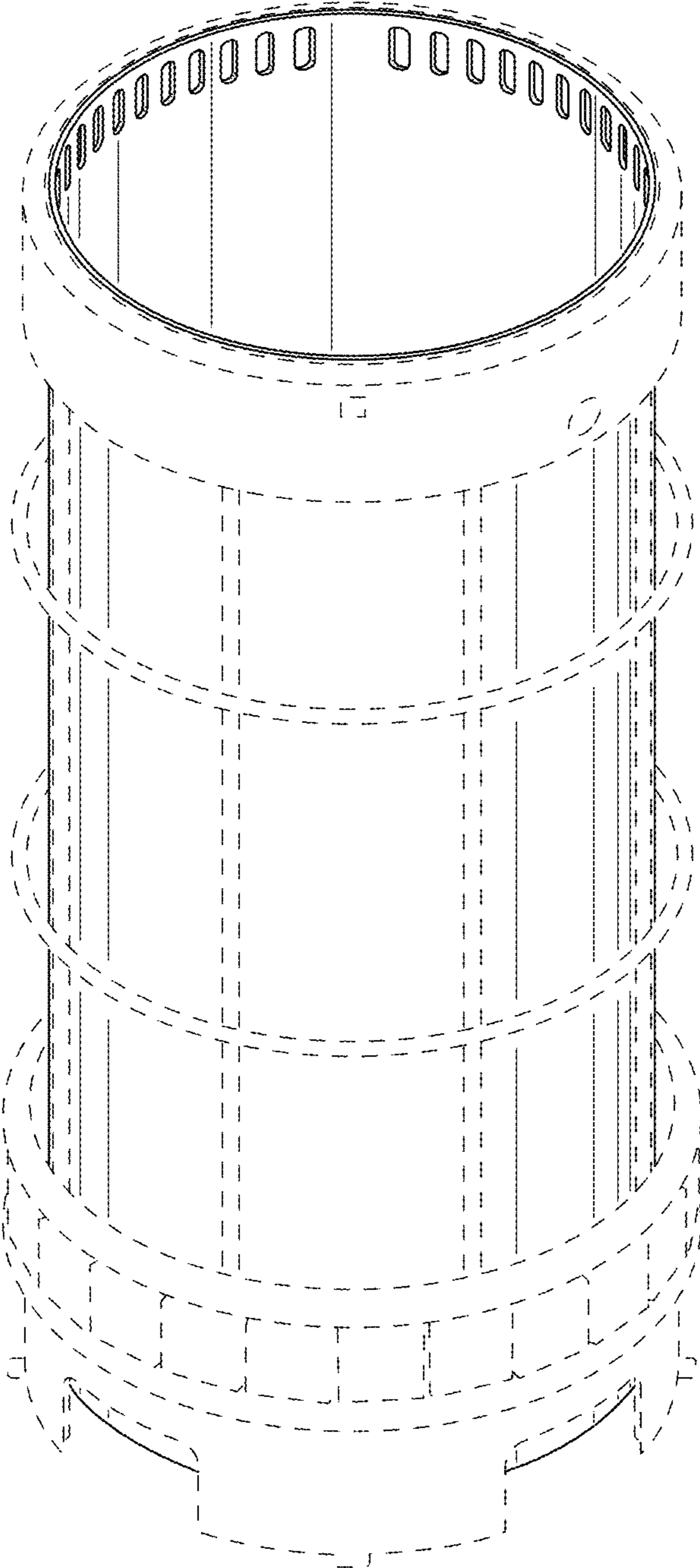


FIG.1

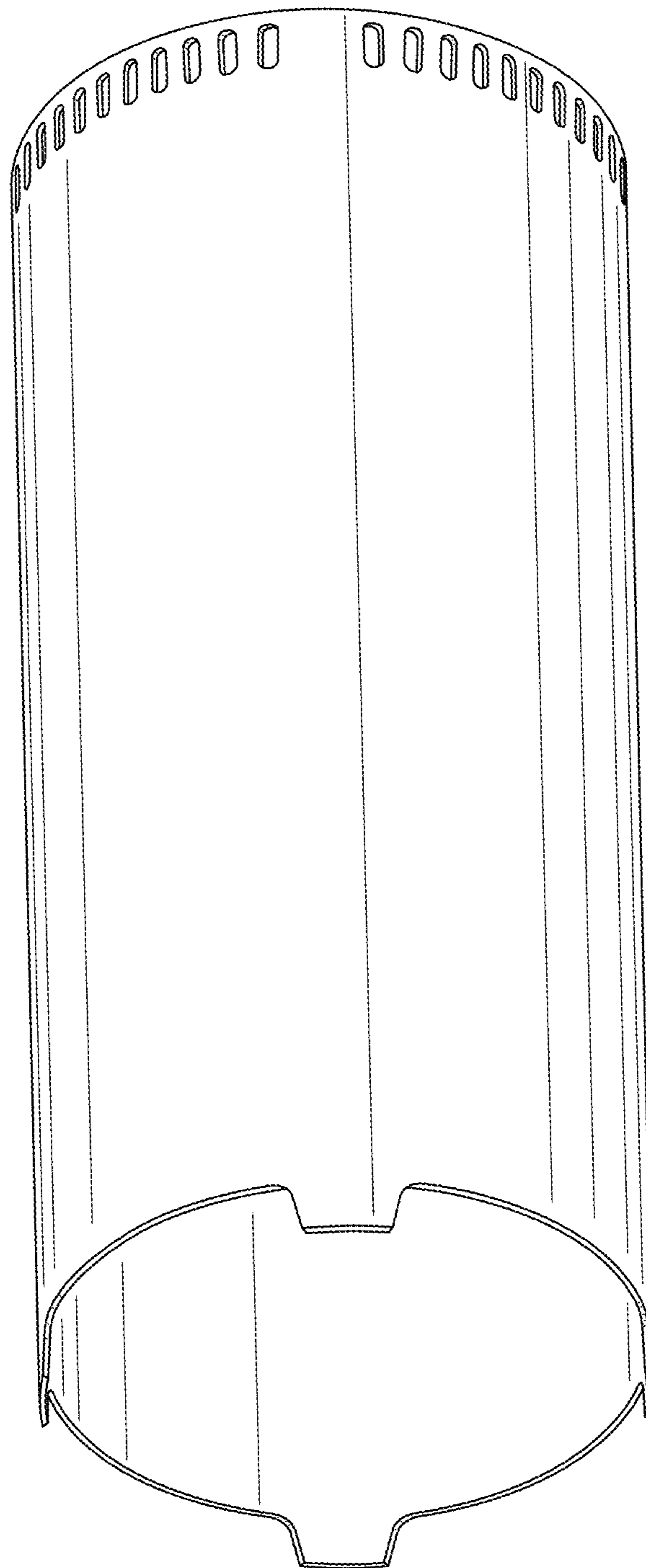


FIG.2

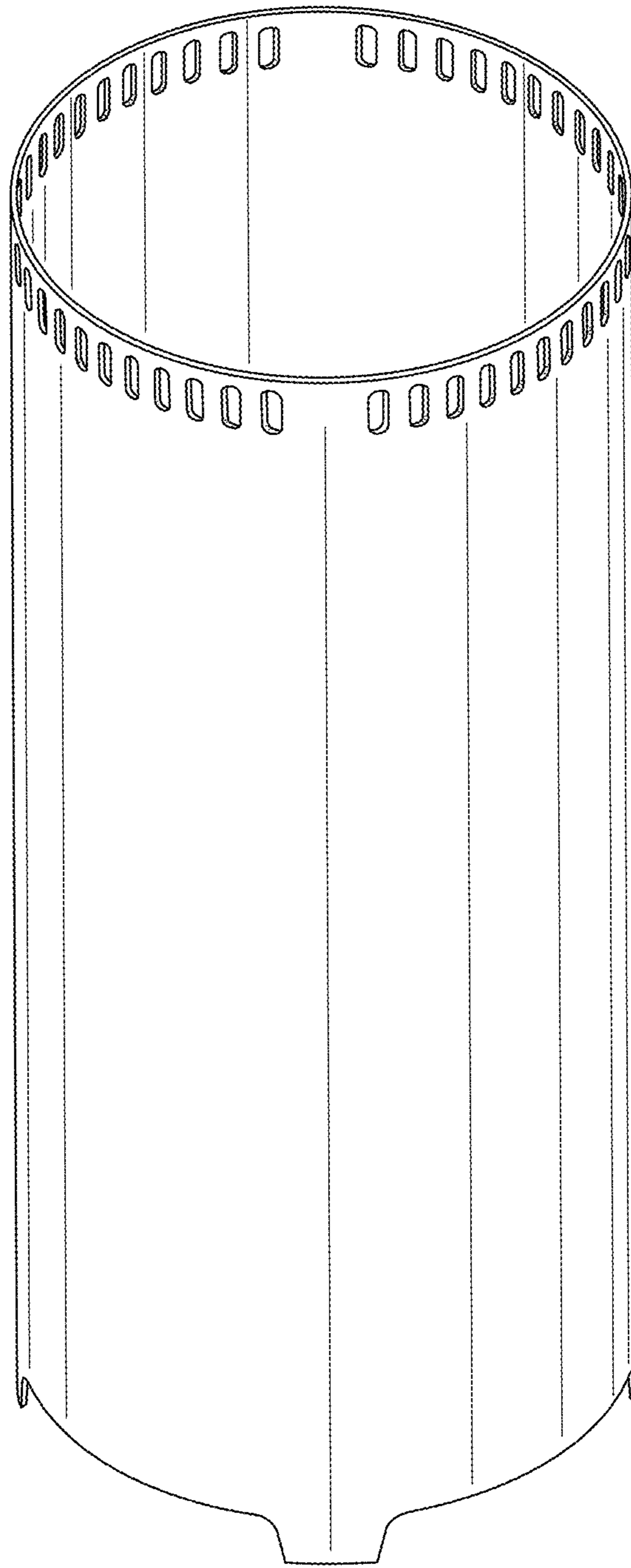


FIG.3

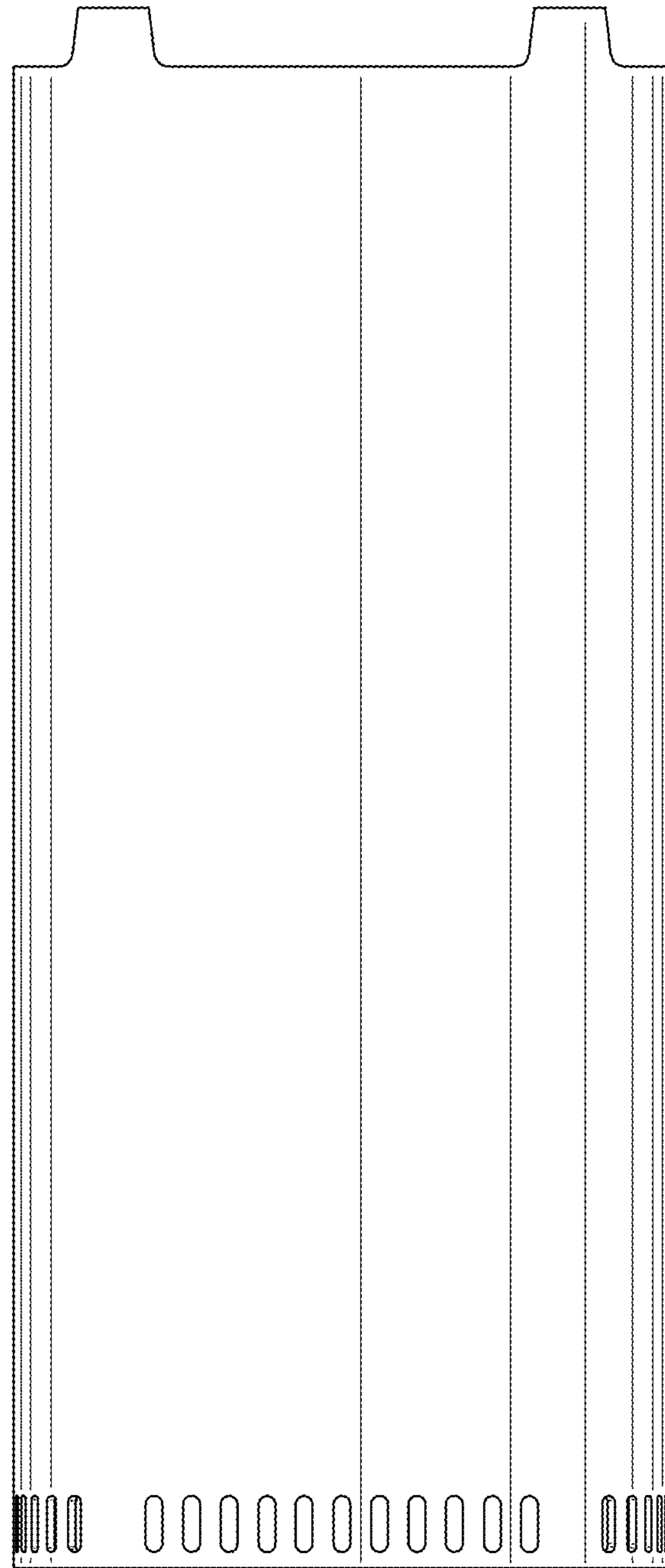


FIG.4

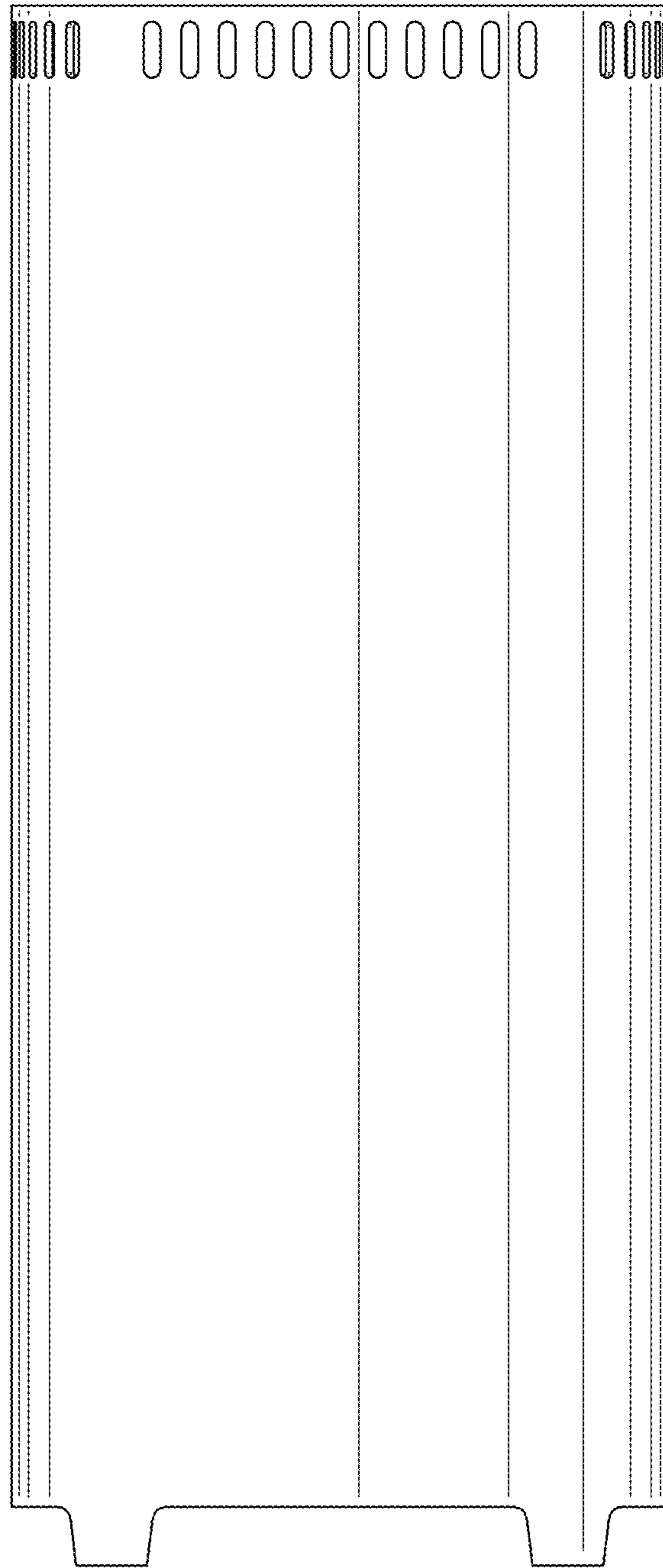


FIG. 5

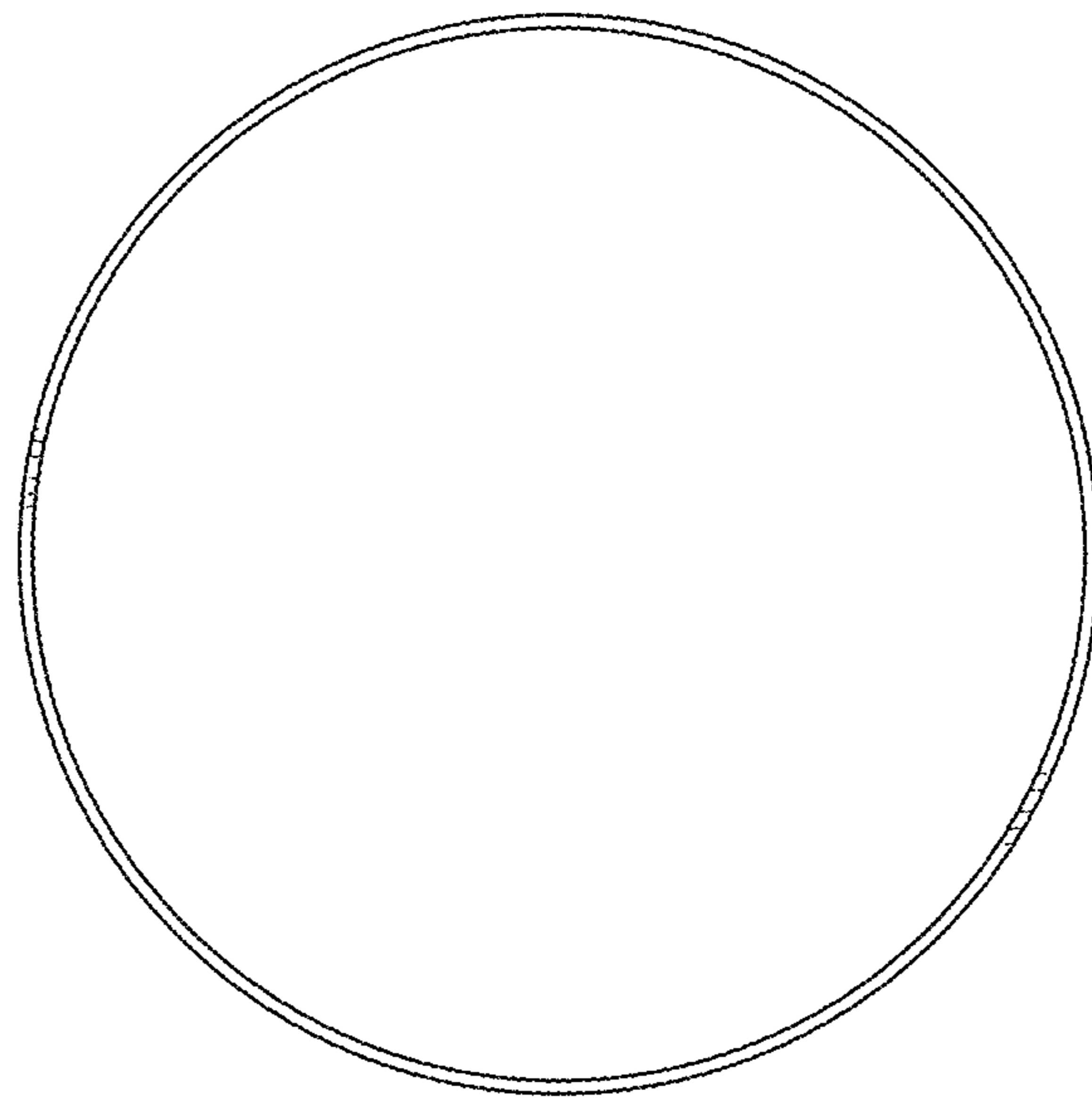


FIG.6



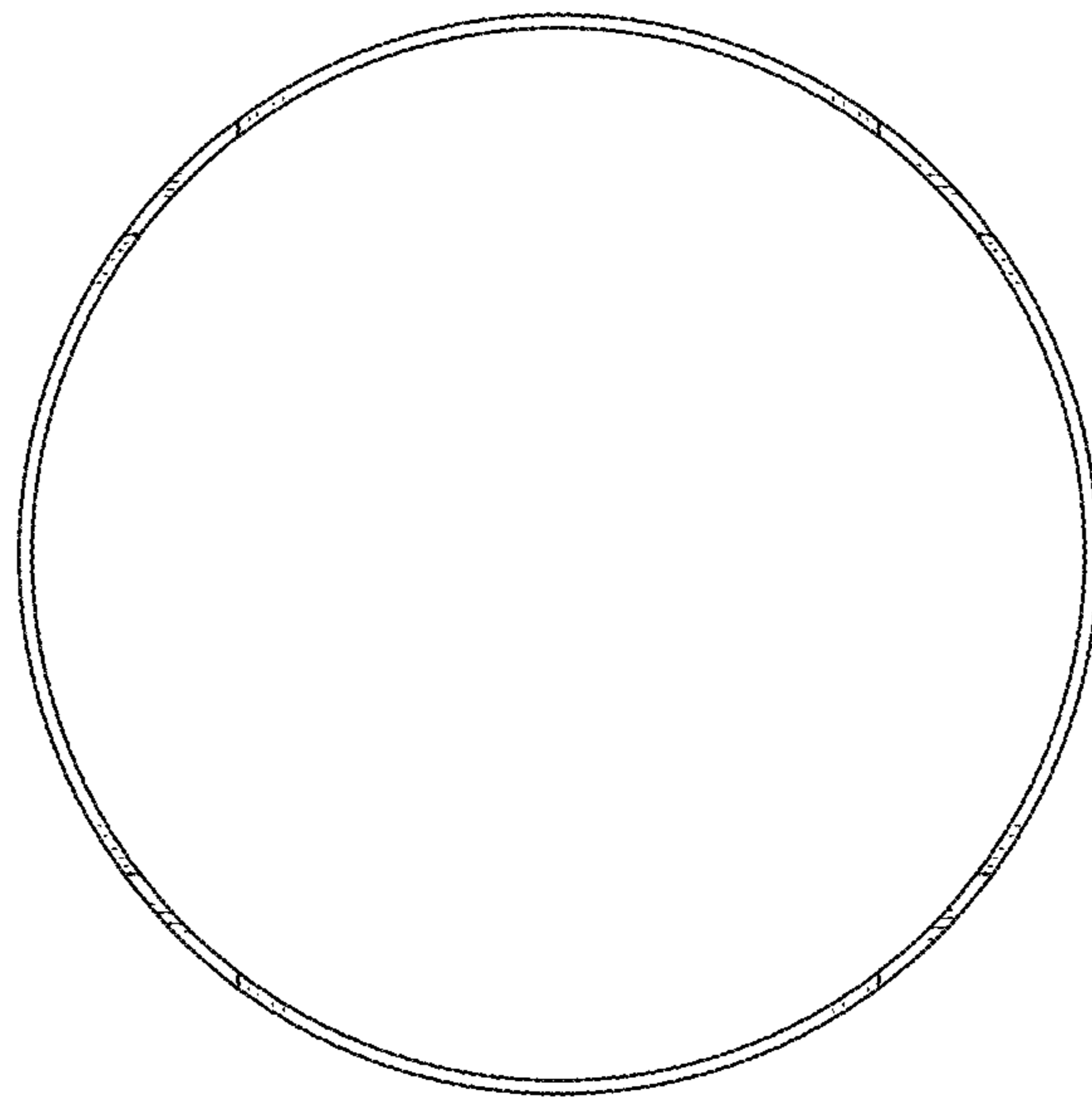


FIG.7