



US00D82998S

(12) **United States Design Patent**
Groat

(10) **Patent No.:** **US D829,998 S**

(45) **Date of Patent:** **** Oct. 2, 2018**

(54) **PROTECTIVE VEST**

(71) Applicant: **Safe Life Defense, LLC**, Las Vegas, NV (US)

(72) Inventor: **Nicholas Groat**, Las Vegas, NV (US)

(73) Assignee: **SAFE LIFE DEFENSE, LLC**, Las Vegas, NV (US)

(**) Term: **15 Years**

(21) Appl. No.: **29/599,539**

(22) Filed: **Apr. 4, 2017**

(51) **LOC (11) Cl.** **29-02**

(52) **U.S. Cl.**
USPC **D29/101.4**

(58) **Field of Classification Search**
USPC D29/100, 101, 101.2, 101.3, 101.4, 122, D29/124; D2/626, 829, 830, 860; 362/108; D21/805; 441/88, 106, 108, 441/111, 117; 182/3; 2/48, 51, 92, 102, 2/103, 105, 913, 914, 915
CPC A41D 1/00; A45F 3/00
See application file for complete search history.

(56) **References Cited**

U.S. PATENT DOCUMENTS

D340,543 S	*	10/1993	Ashton	D29/101.4
D647,283 S	*	10/2011	Sagnip	D29/101.4
D703,870 S	*	4/2014	Bacquet	D29/101.4
D716,527 S	*	11/2014	Miyamoto	D2/828

* cited by examiner

Primary Examiner — Randall H Gholson

(74) *Attorney, Agent, or Firm* — Howard & Howard Attorneys PLLC

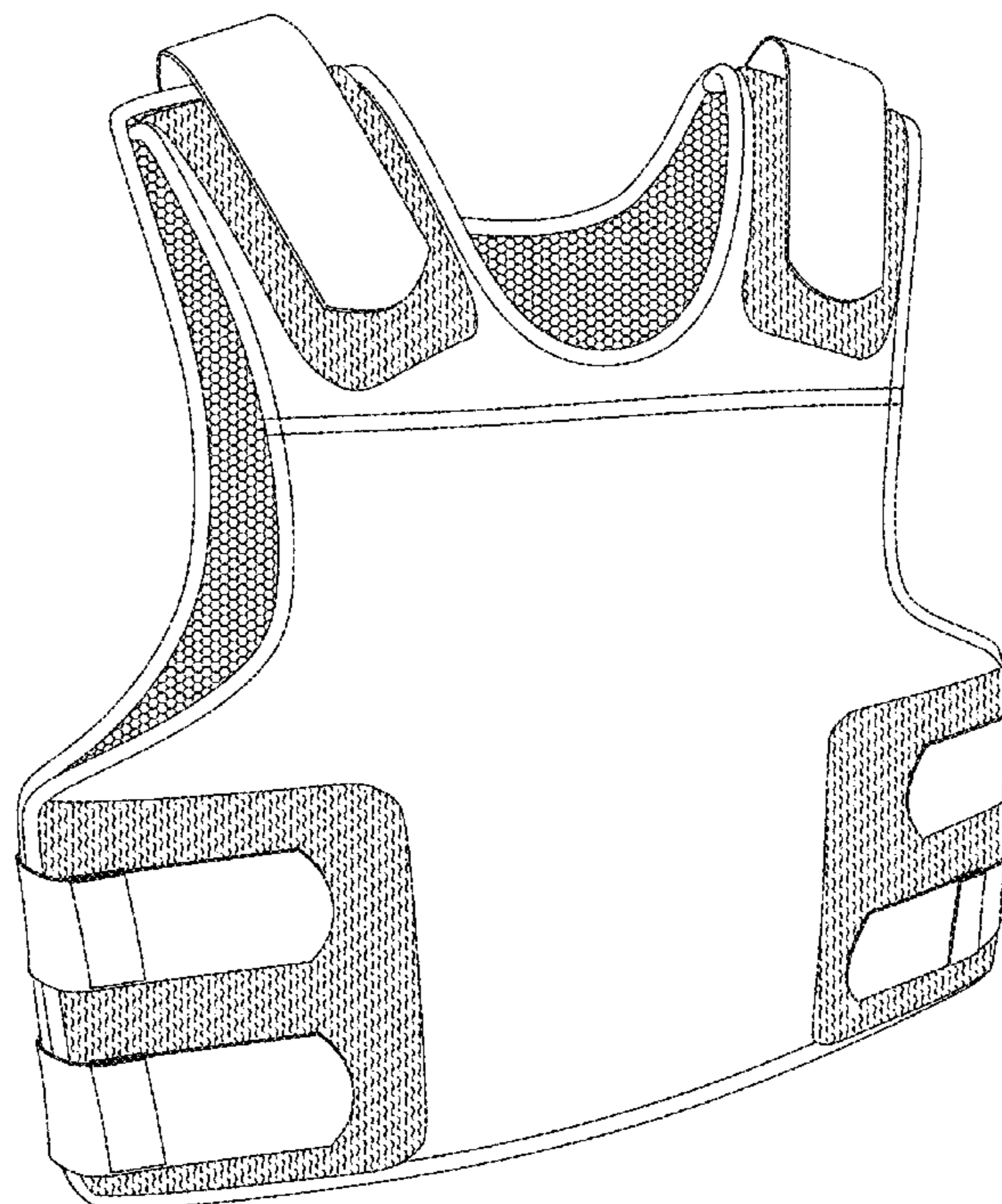
(57) **CLAIM**

I claim the ornamental design for a protective vest, as shown and described.

DESCRIPTION

FIG. 1 is a perspective view of a protective vest according to an embodiment of the present invention; FIG. 2 is a front view of the protective vest of FIG. 1; FIG. 3 is a rear view of the protective vest of FIG. 1; FIG. 4 is a left side view of the protective vest of FIG. 1, wherein a right side view of the protective vest is a mirror image of the left view and is therefore not shown; FIG. 5 is a top view of the protective vest of FIG. 1; and, FIG. 6 is a bottom view of the protective vest of FIG. 1. The broken lines shown in the FIGS. are of the remainder of the protective vest, provided for illustrative and environmental purposes only and form no part of the claimed design.

1 Claim, 6 Drawing Sheets



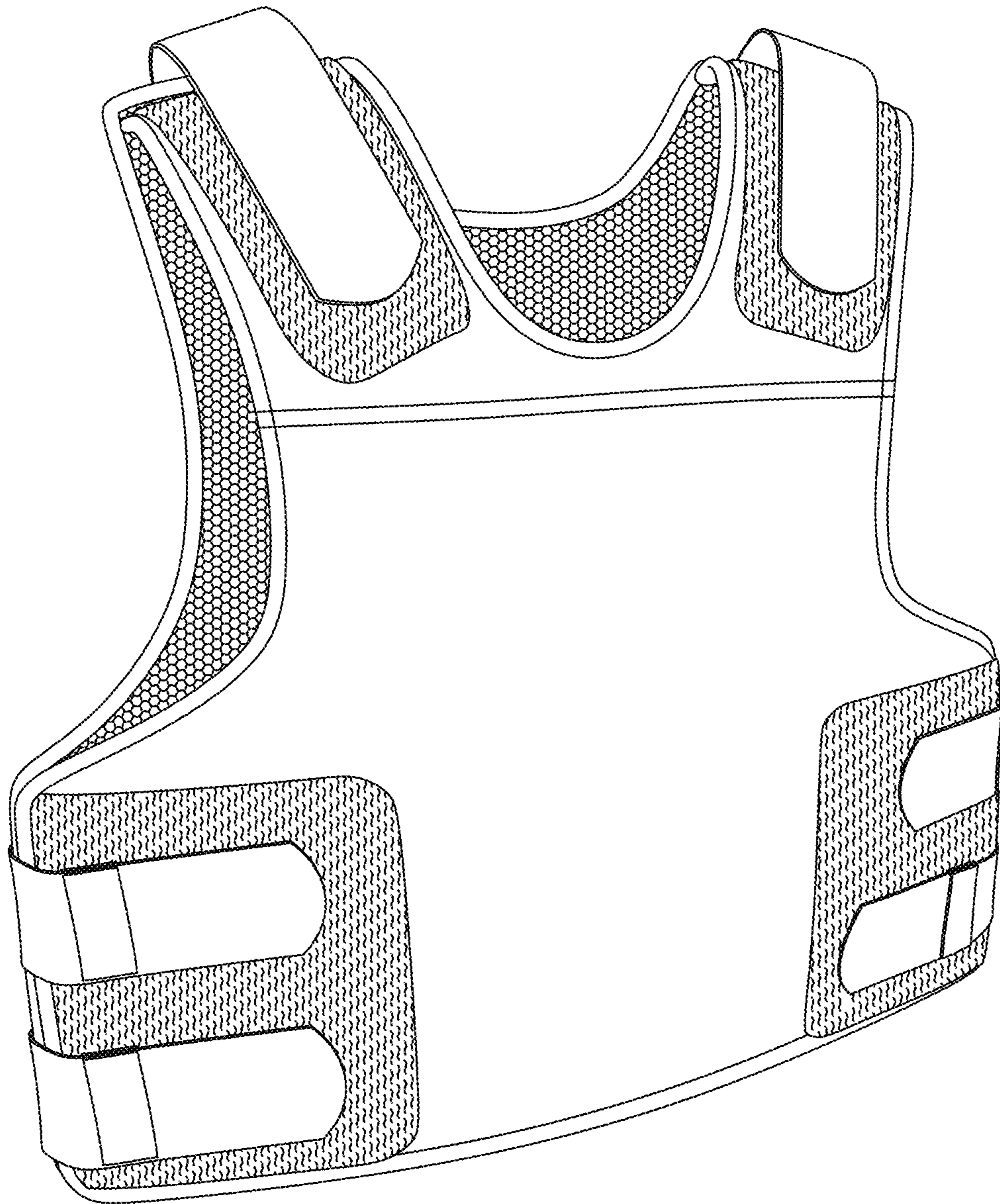


FIG. 1

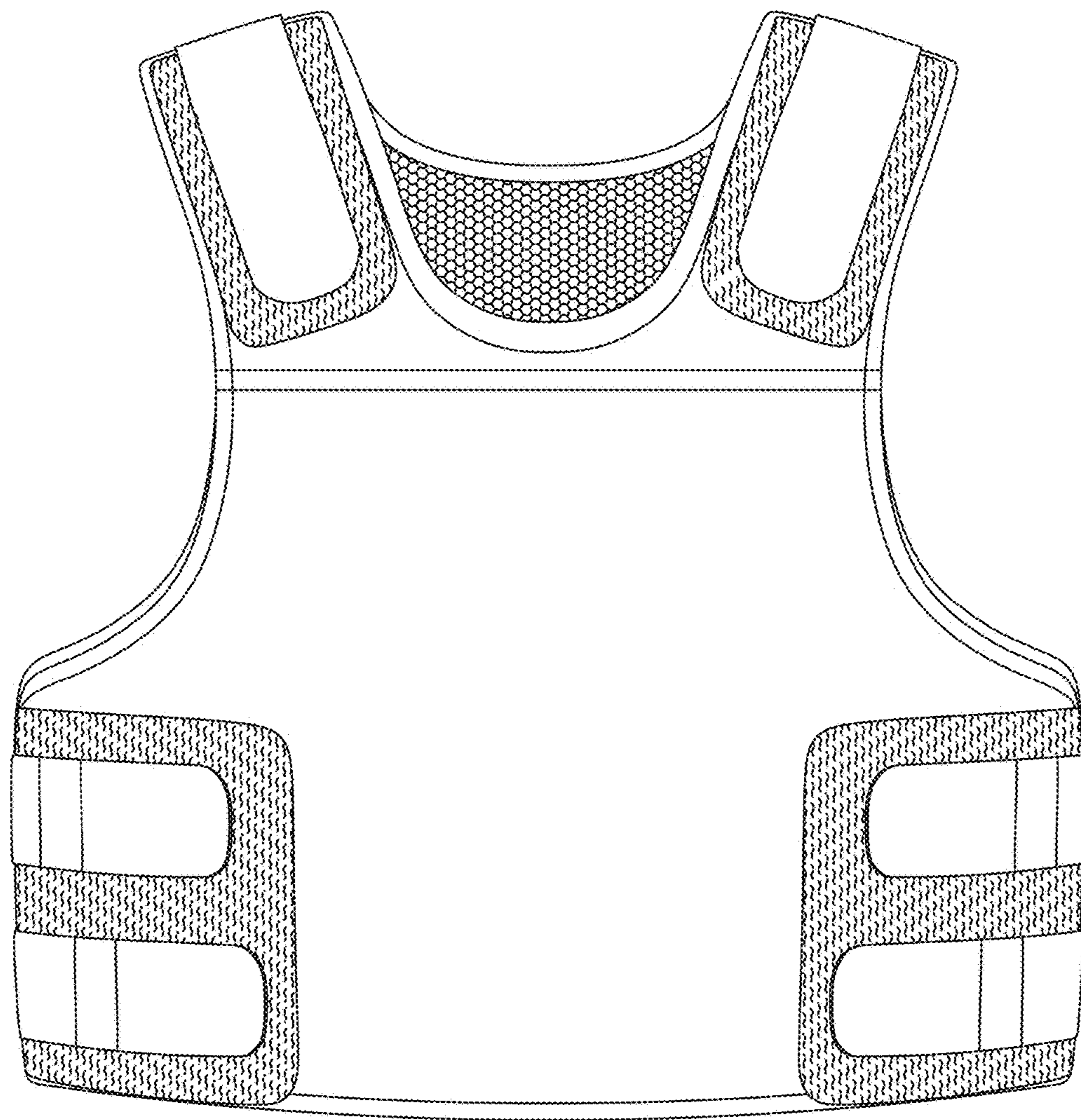


FIG. 2

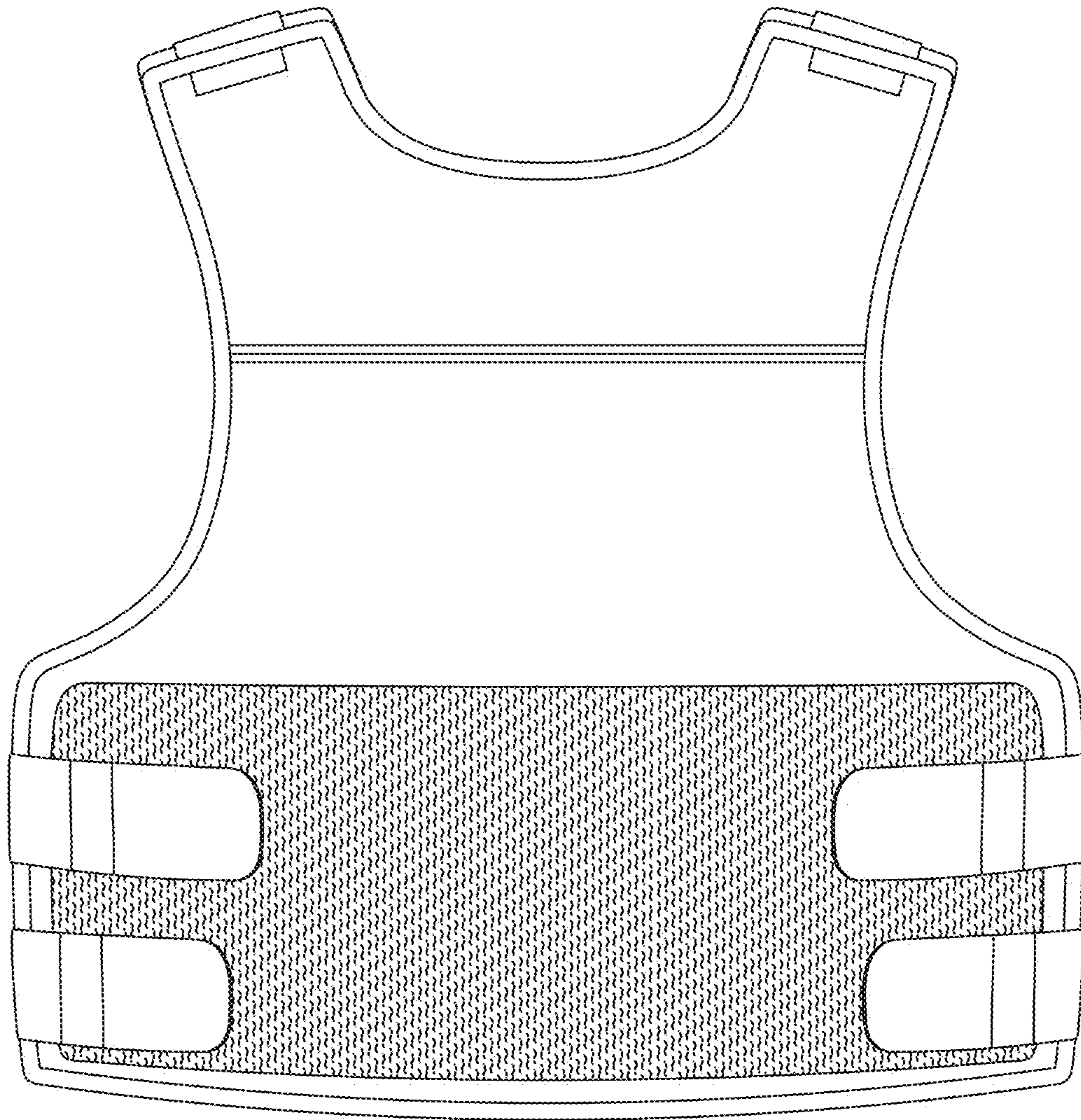


FIG. 3

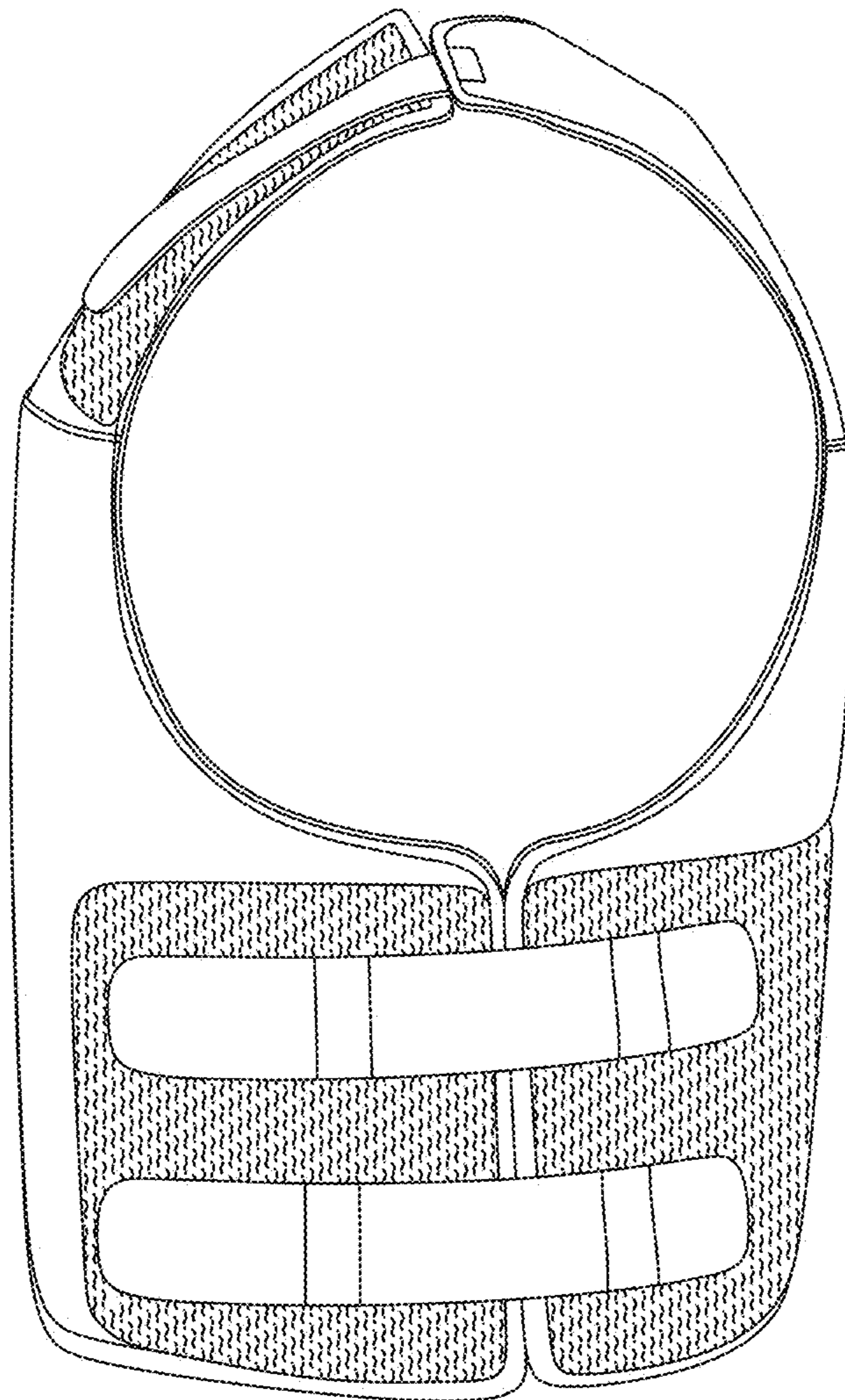


FIG. 4

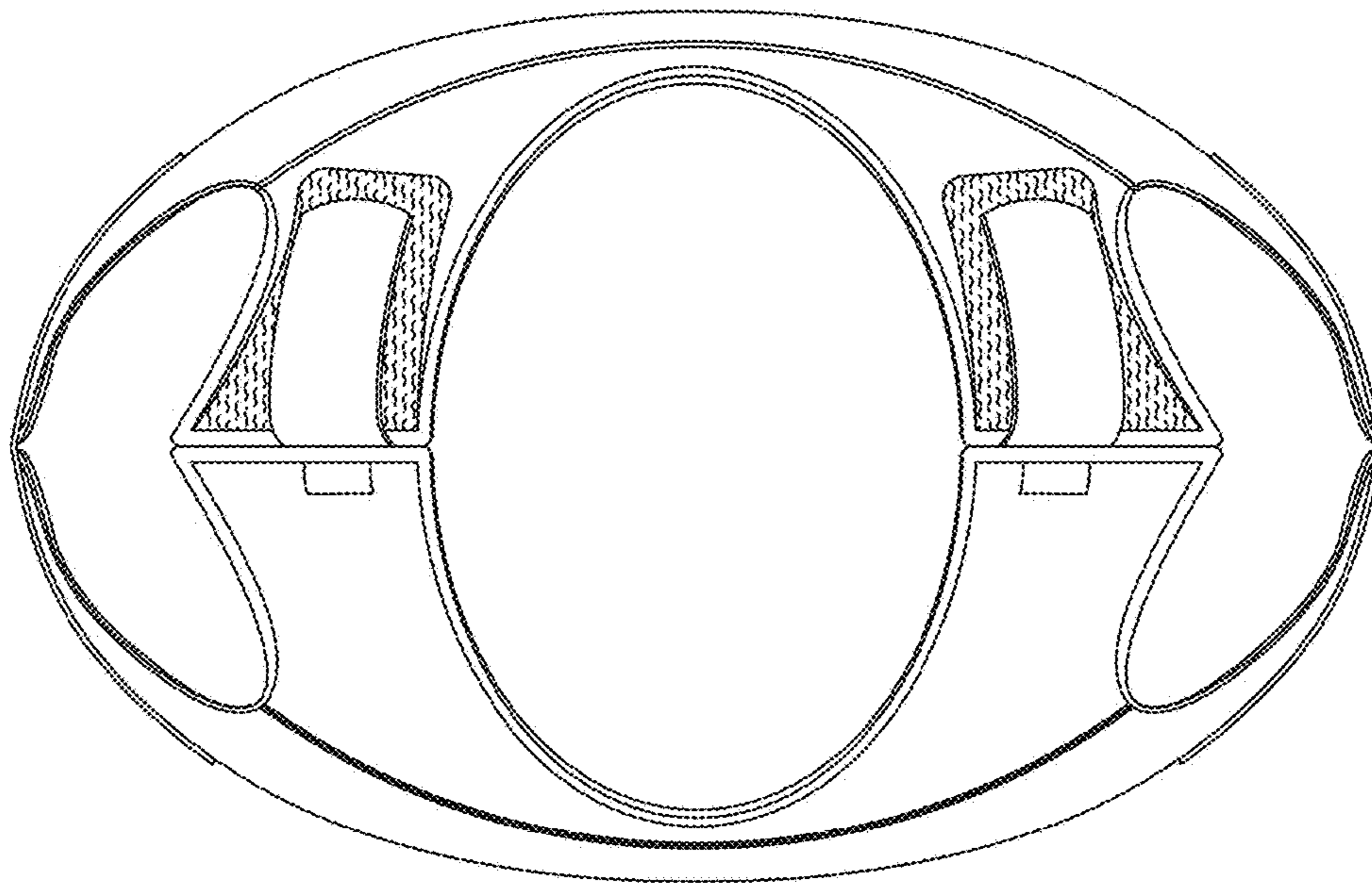


FIG. 5

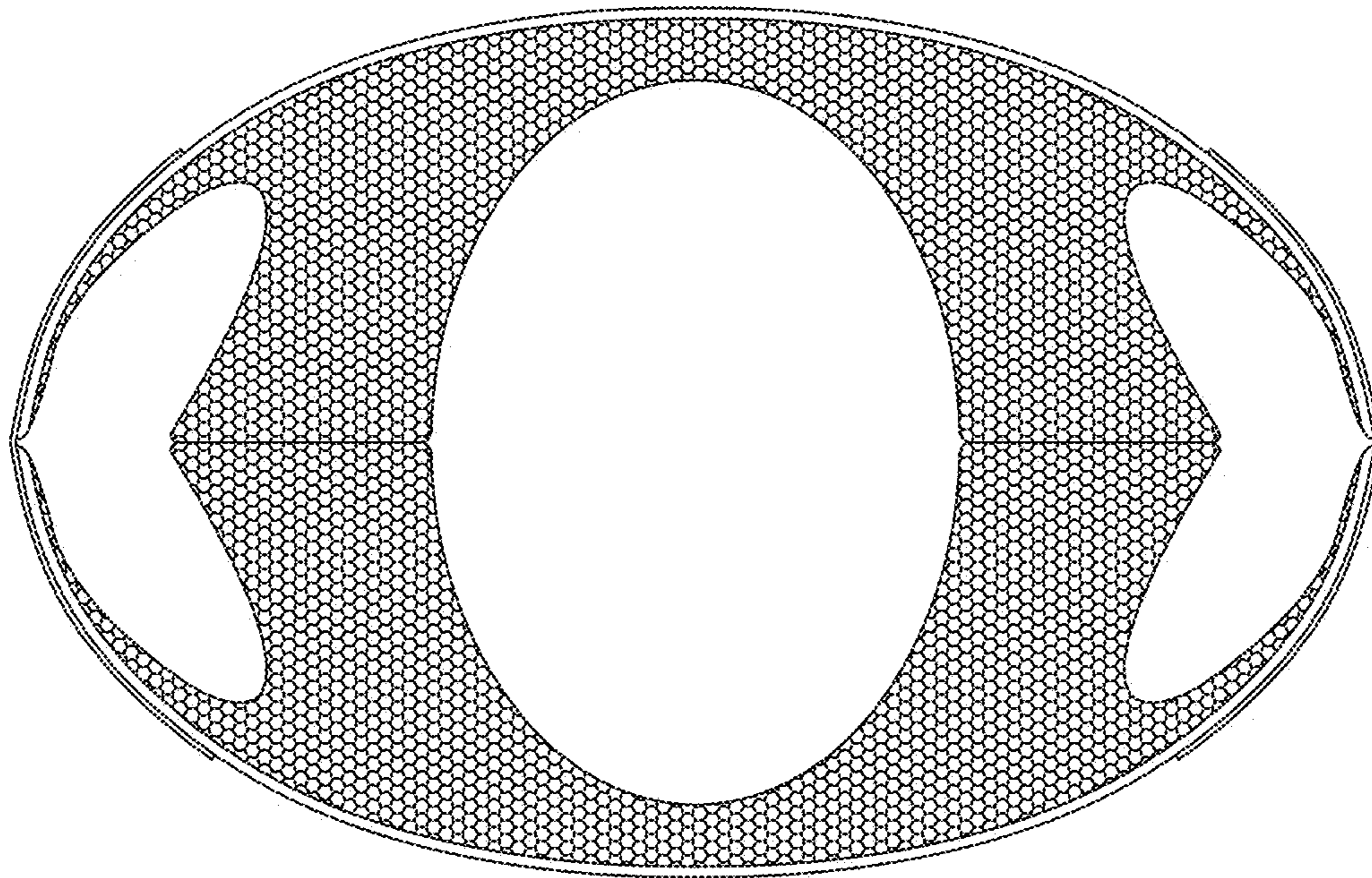


FIG. 6