

US00D829995S

(12) **United States Design Patent** (10) **Patent No.:** **US D829,995 S**
DaVia (45) **Date of Patent:** **** Oct. 2, 2018**

(54) **DEVICE FOR FOOT HYGIENE**
(71) Applicant: **GAJANANA, LLC**, Suffolk, VA (US)
(72) Inventor: **Paul C. DaVia**, Chesapeake, VA (US)
(73) Assignee: **GAJANANA, LLC.**, Suffolk, VA (US)
(**) Term: **15 Years**
(21) Appl. No.: **29/578,418**
(22) Filed: **Sep. 21, 2016**
(51) **LOC (11) Cl.** **28-03**
(52) **U.S. Cl.**
USPC **D28/56**
(58) **Field of Classification Search**
USPC D28/56, 57, 59, 62; 132/76.2, 76.4, 75.3;
D8/99; 15/209.1, 114
CPC A45D 29/00; A61B 17/54; A61M 35/006
See application file for complete search history.

D446,886 S * 8/2001 Park D28/60
D466,251 S * 11/2002 Park D28/62
6,705,014 B2 * 3/2004 Park A45D 29/02
30/123

(Continued)

OTHER PUBLICATIONS

Foot care device, Dri-Toes/Davia PC, published at 99designs.com, date/author not listed © 99designs, online, site visited Apr. 17, 2018. Available from Internet, URL: <https://99designs.com/product-packaging-design/contests/dri-toes-packaging-attractive-captivating-instantly-shows-product-618785> (Year: 0000).*

Primary Examiner — Shannon Weekley Morgan
Assistant Examiner — Altaira J Swangin
(74) *Attorney, Agent, or Firm* — Millen, White, Zelano & Branigan, P.C.; William F. Nixon

(57) **CLAIM**

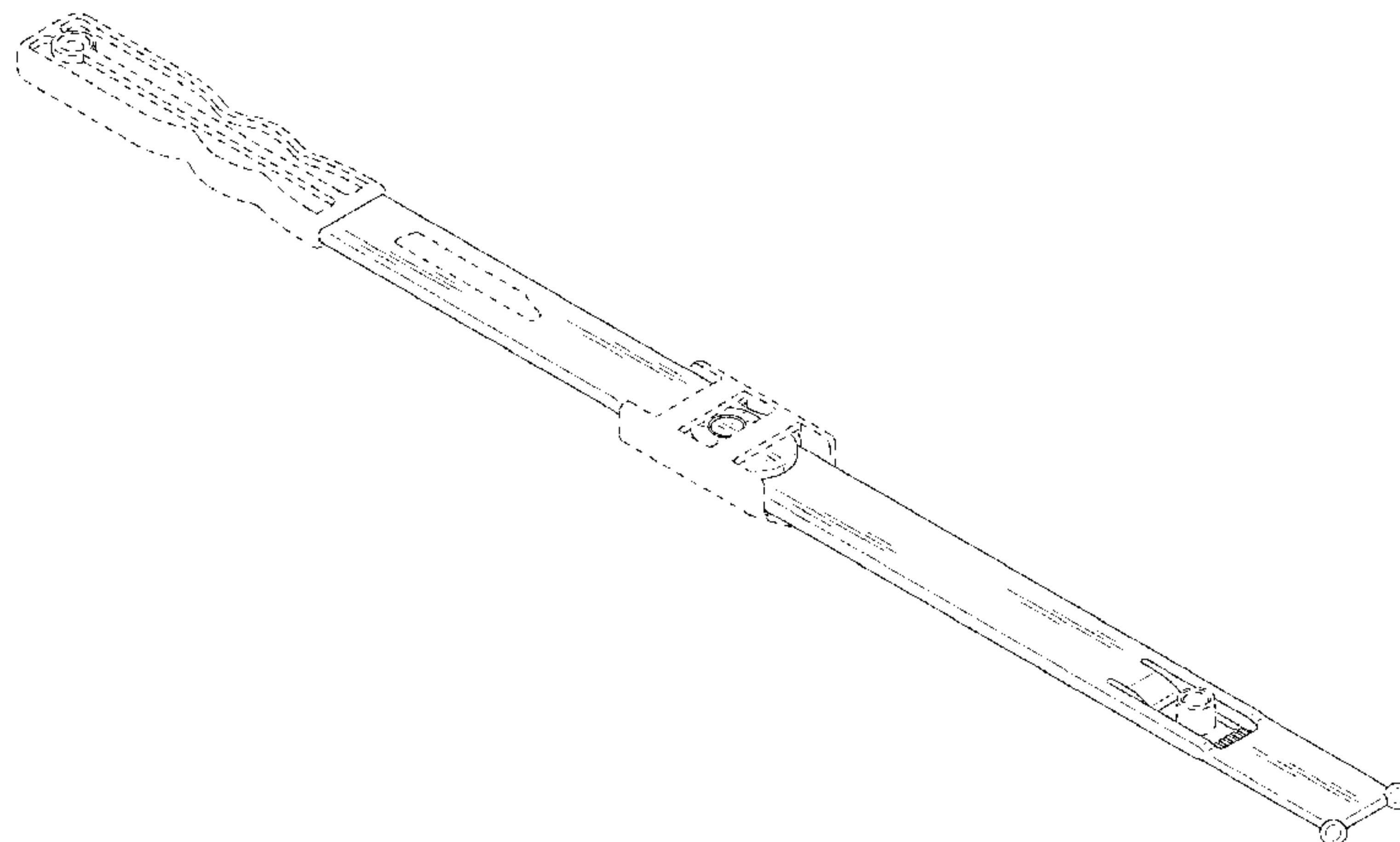
The ornamental design for a device for foot hygiene, as shown and described.

DESCRIPTION

FIG. 1 is a top-right perspective view of a device for foot hygiene;
FIG. 2 is a bottom-left perspective view thereof;
FIG. 3 is a top view thereof;
FIG. 4 is a bottom view thereof;
FIG. 5 is a front view thereof;
FIG. 6 is a rear view thereof;
FIG. 7 is a right side view thereof;
FIG. 8 is a left side view thereof;
FIG. 9 is a top-right perspective view of the device for foot hygiene in a closed configuration; and,
FIG. 10 is a top-right perspective view of the device for foot hygiene in a partially opened configuration.
The broken lines shown throughout the views depict portions of the device for foot hygiene which form no part of the claimed design.

1 Claim, 10 Drawing Sheets

(56) **References Cited**
U.S. PATENT DOCUMENTS
1,945,932 A * 2/1934 Caley A45D 2/18
132/247
1,949,128 A * 2/1934 Nakano B23D 71/00
132/73.5
1,990,630 A * 2/1935 Bensel A45D 44/005
132/333
D190,556 S * 6/1961 Heathman D19/34
D206,875 S * 2/1967 Mosch D19/123
D294,071 S * 2/1988 Lallerstedt D28/59
D294,303 S * 2/1988 Giovagnoni D28/59
D301,070 S * 5/1989 Lallerstedt D28/59
D312,325 S * 11/1990 Brinker D28/25
5,444,888 A * 8/1995 Withey A47K 7/026
15/114
5,557,849 A * 9/1996 Lee A45D 29/02
132/75.4
6,126,217 A * 10/2000 Guadiana B25B 9/00
294/24
D435,318 S * 12/2000 Rieser D28/59



(56)

References Cited

U.S. PATENT DOCUMENTS

D561,396	S *	2/2008	Park	D28/59
D561,398	S *	2/2008	Park	D28/59
D574,112	S *	7/2008	Park	D28/59
D575,001	S *	8/2008	Park	D28/55
D600,410	S *	9/2009	Choi	D28/59
D637,351	S *	5/2011	Huang	D28/59
D639,508	S *	6/2011	Huynh	D28/59
D676,610	S *	2/2013	Kim	D28/62
8,752,230	B2 *	6/2014	Brand	B25G 1/00 15/104.16
D752,289	S *	3/2016	Tegtmeyer	D28/56
D804,272	S *	12/2017	Chalfant	D8/91
D805,812	S *	12/2017	Zanki	D6/601
D812,998	S *	3/2018	Huang	D7/678
2004/0200022	A1 *	10/2004	Hsu	A47K 7/028 15/209.1
2004/0205918	A1 *	10/2004	Hsu	A47K 7/028 15/209.1
2005/0028310	A1 *	2/2005	Huang	A47K 7/02 15/209.1
2005/0268416	A1 *	12/2005	Sommers	A45D 34/04 15/209.1
2006/0003140	A1 *	1/2006	Sabo	A47K 10/02 428/85
2011/0067195	A1 *	3/2011	Oehler	A47K 7/026 15/210.1
2017/0164713	A1 *	6/2017	Davia	A45D 29/00
2017/0354438	A1 *	12/2017	Nguyen	A61B 17/54

* cited by examiner

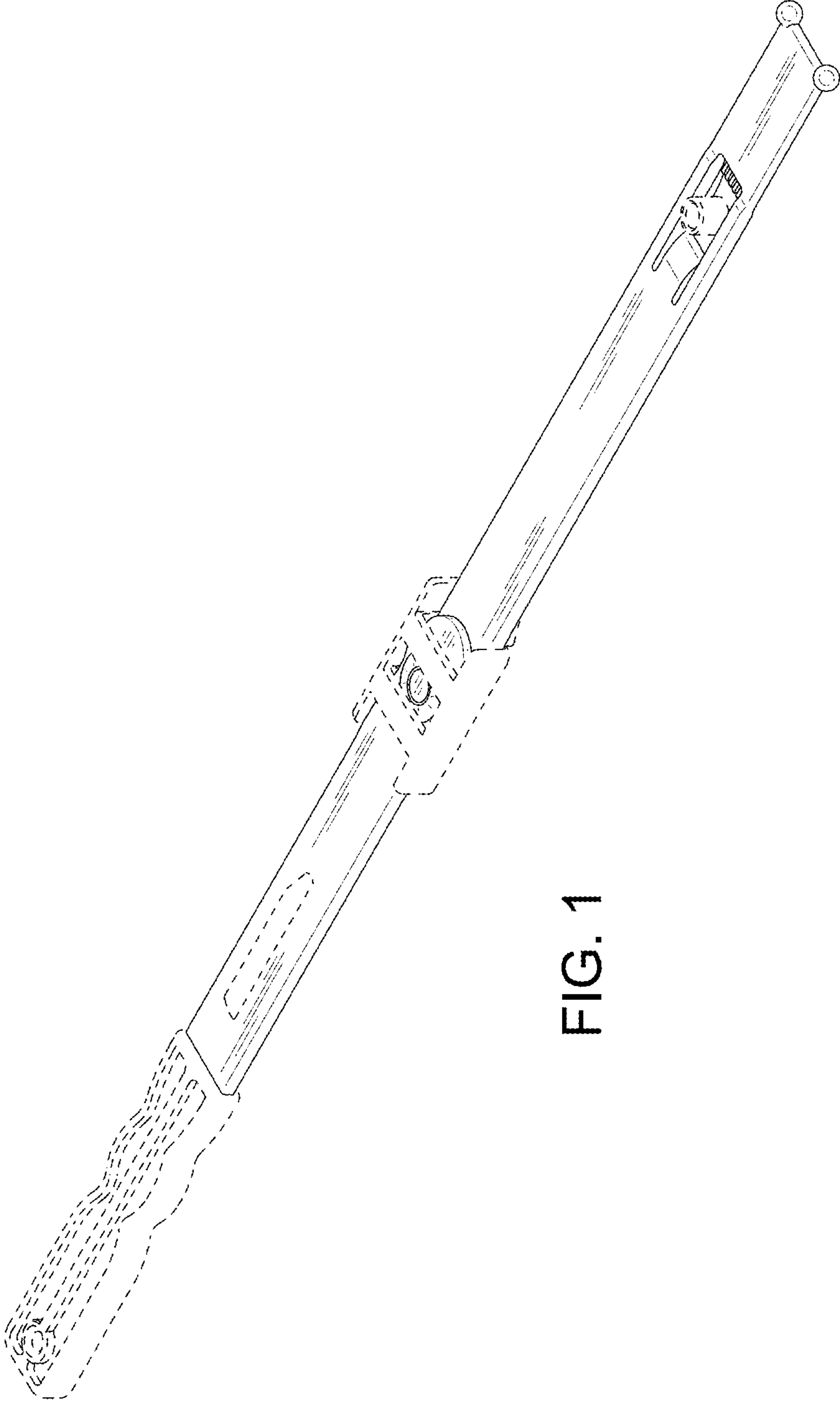


FIG. 1

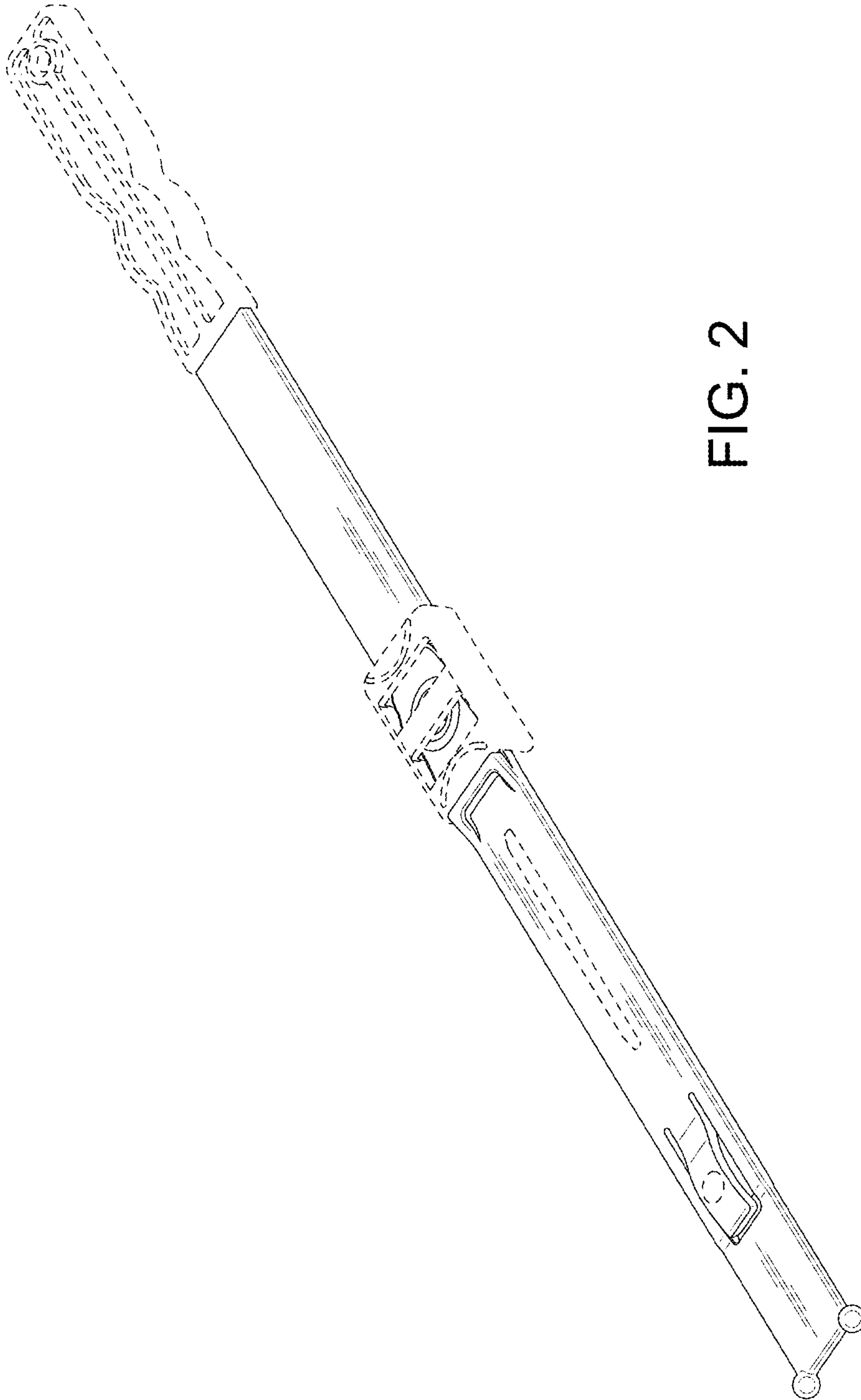


FIG. 2

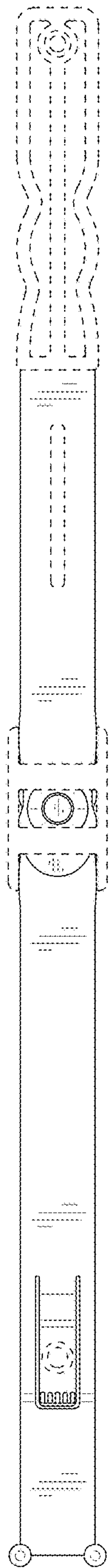


FIG. 3

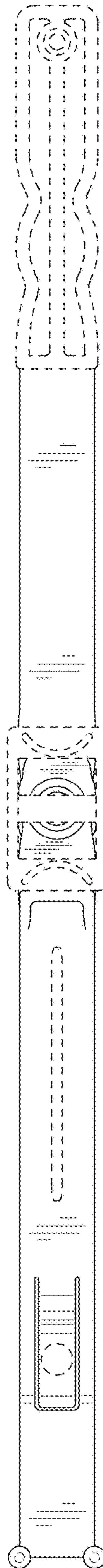


FIG. 4

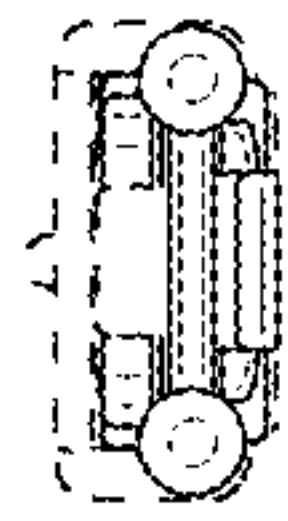


FIG. 5

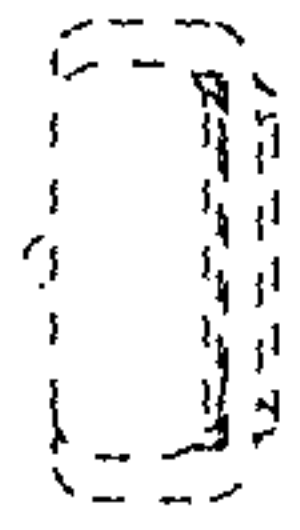


FIG. 6

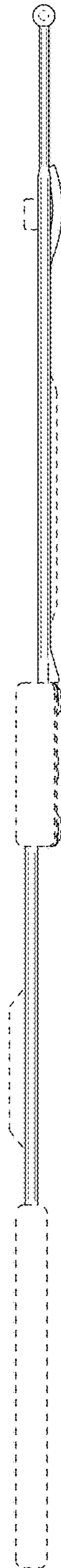


FIG. 7

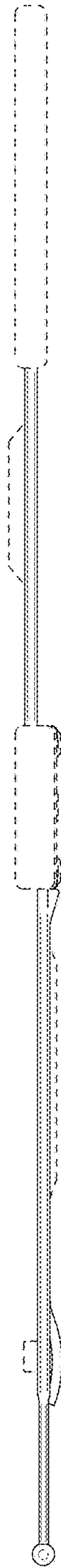


FIG. 8

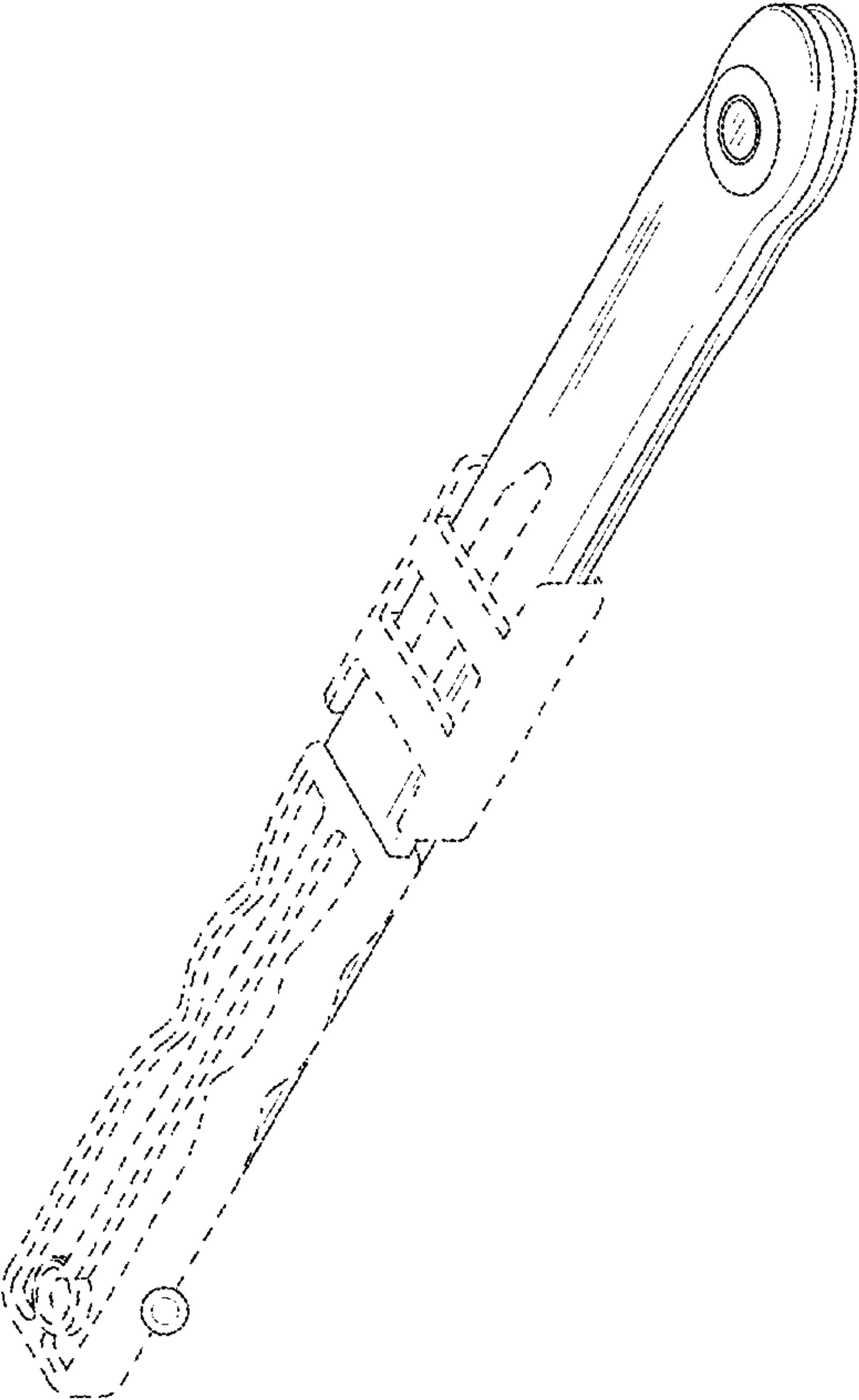


FIG. 9

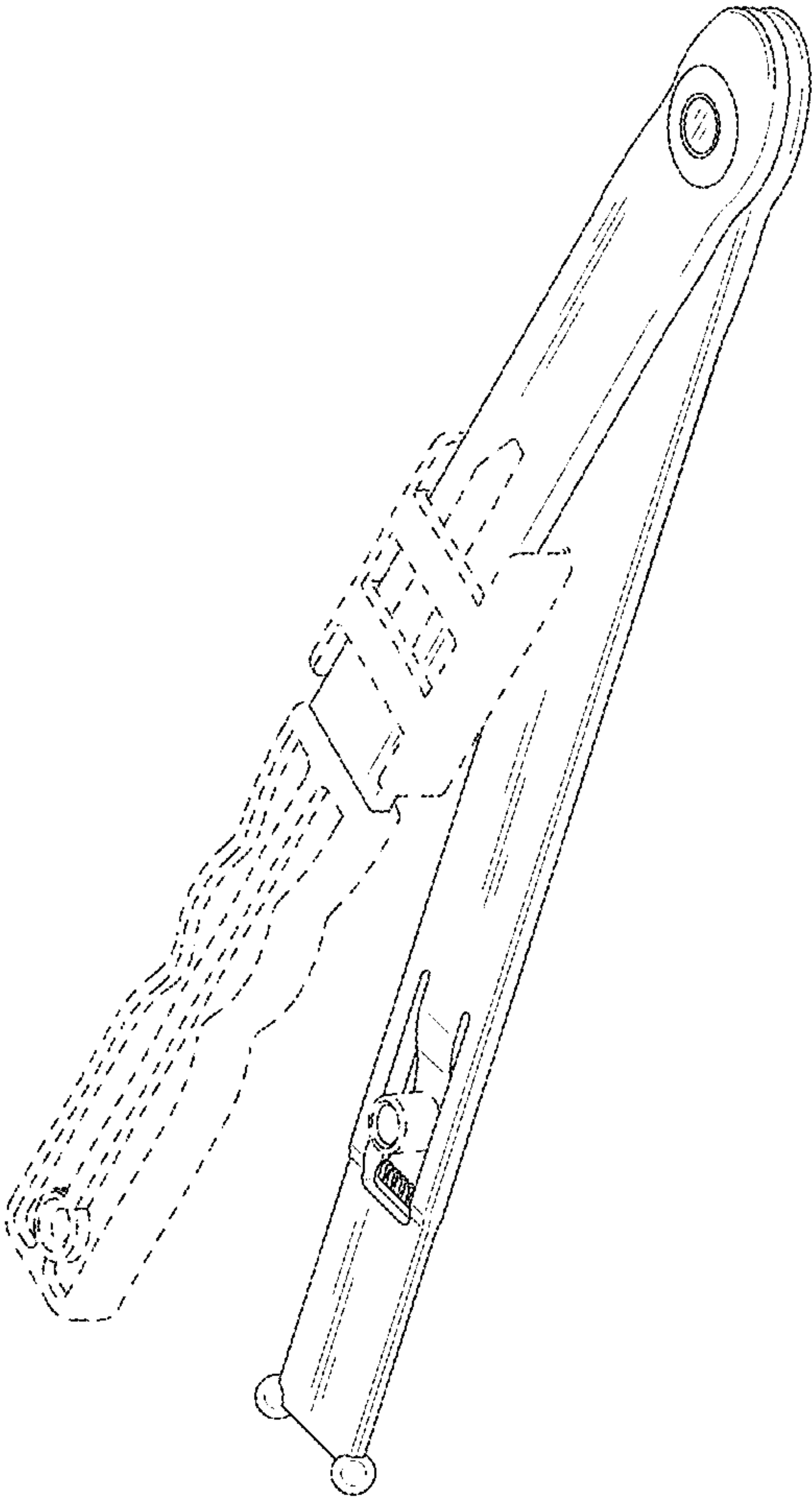


FIG. 10