



US00D82994S

(12) **United States Design Patent**  
**Liu**

(10) **Patent No.:** **US D829,994 S**  
(45) **Date of Patent:** **\*\* Oct. 2, 2018**

(54) **HAND DRYER**

(71) Applicant: **HOKWANG INDUSTRIES CO., LTD.**, New Taipei (TW)

(72) Inventor: **Shen-Chen Liu**, New Taipei (TW)

(73) Assignee: **HOKWANG INDUSTRIES CO., LTD.**, New Taipei (TW)

(\*\*) Term: **15 Years**

(21) Appl. No.: **29/569,641**

(22) Filed: **Jun. 29, 2016**

(51) **LOC (11) Cl.** ..... **28-03**

(52) **U.S. Cl.**  
USPC ..... **D28/54.1**

(58) **Field of Classification Search**  
USPC ..... D28/54.1, 12, 58, 54; D34/12, 16, 17, D34/20, 23, 24, 27; D8/349, 354, 358, D8/499; 280/47.9, 47.24, 47.315, 63; 242/557, 566, 594.3, 594.5, 594.6, 588, 242/588.1; D9/641, 695, 499; D22/112; D32/25, 31, 32, 40, 60; D16/203, 202  
CPC ..... B62B 2202/025; B62B 2203/05; B65H 49/32; B65H 54/54; F26B 25/06

See application file for complete search history.

(56) **References Cited**

**U.S. PATENT DOCUMENTS**

- 4,436,249 A \* 3/1984 Santa Lucia ..... B65H 54/40  
192/110 B
- D380,663 S \* 7/1997 Nakamura ..... D8/354
- D400,079 S \* 10/1998 Chase ..... D8/349
- D428,225 S \* 7/2000 Prime ..... D32/40
- D481,498 S \* 10/2003 Pinedo ..... D32/25
- 6,842,581 B2 \* 1/2005 Schafer ..... A47K 10/48  
34/90
- D535,476 S \* 1/2007 Pennington ..... D3/262
- D605,499 S \* 12/2009 Gaudron ..... D8/349
- D637,289 S \* 5/2011 Berberich ..... D24/146

- D652,188 S \* 1/2012 Escobar ..... D32/32
- D657,232 S \* 4/2012 Stahl, Sr. .... D8/354
- D669,222 S \* 10/2012 Dyson ..... D28/54.1
- D672,424 S \* 12/2012 Buie, II ..... D22/108
- D678,613 S \* 3/2013 Dyson ..... D28/54.1
- D679,055 S \* 3/2013 Dyson ..... D28/54.1
- D682,472 S \* 5/2013 Dyson ..... D28/54.1
- D703,380 S \* 4/2014 Lee ..... D28/54.1
- D706,983 S \* 6/2014 Courtney ..... D28/54.1
- D707,395 S \* 6/2014 Courtney ..... D28/54.1

(Continued)

**OTHER PUBLICATIONS**

“Ecotap hand dryer—high speed deck-mounted/wall-mounted hand dryer,” [online], retrieved Sep. 5, 2017, retrieved from <<https://www.hokwang.com/product/High+Speed+Hand+Dryer/EcoTap>>.\*

(Continued)

*Primary Examiner* — Shannon W Morgan

(74) *Attorney, Agent, or Firm* — Muncy, Geissler, Olds & Lowe, P.C.

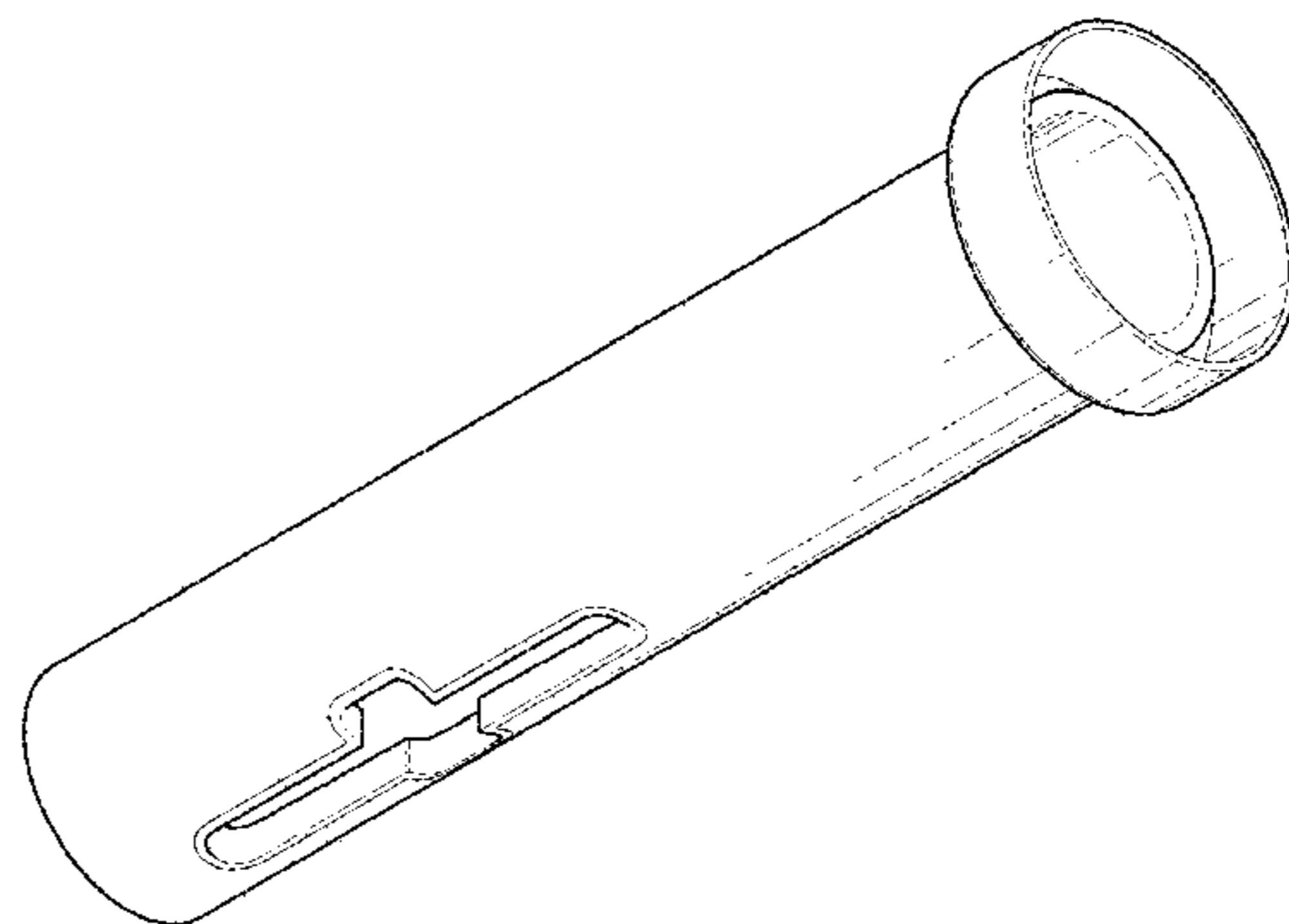
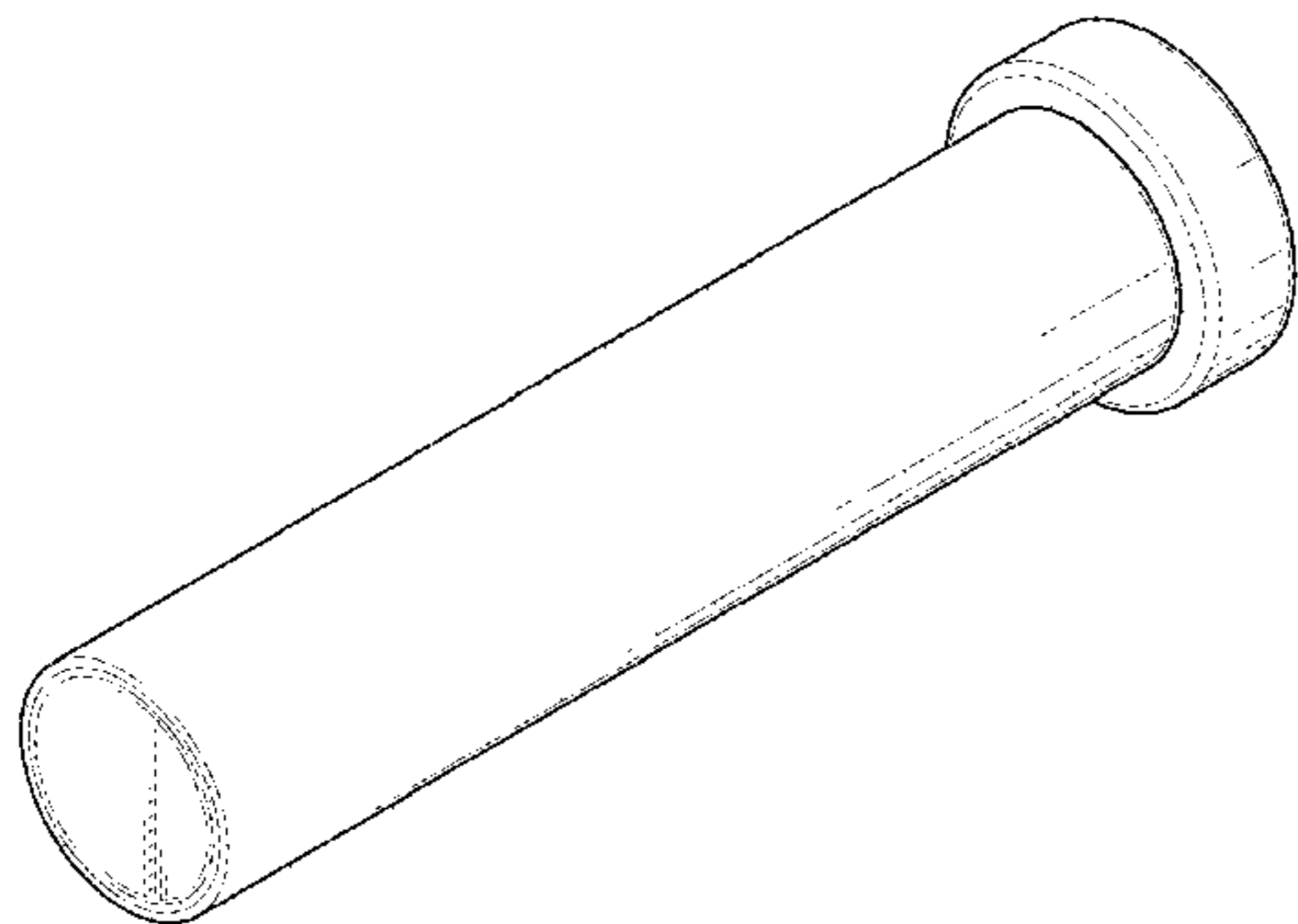
(57) **CLAIM**

The ornamental design for a hand dryer, as shown and described.

**DESCRIPTION**

FIG. 1 is a perspective view of the hand dryer showing the new design;  
FIG. 2 is a front elevational view thereof;  
FIG. 3 is a rear side elevational view thereof;  
FIG. 4 is a left side elevational view thereof;  
FIG. 5 is a right side elevational view thereof;  
FIG. 6 is a top plan view thereof;  
FIG. 7 is a bottom plan view thereof;  
FIG. 8 is another perspective view thereof; and,  
FIG. 9 is another perspective view thereof.  
The broken lines show environment and form no part of the claimed design.

**1 Claim, 6 Drawing Sheets**



(56)

**References Cited**

U.S. PATENT DOCUMENTS

D709,258 S \* 7/2014 Guder ..... D32/32  
D714,493 S \* 9/2014 Liu ..... F26B 25/06  
D28/54.1  
D723,653 S \* 3/2015 Peterson ..... D22/112  
D764,727 S \* 8/2016 Coughlan ..... D32/25  
2011/0209379 A1\* 9/2011 Williams ..... F41A 29/02  
42/95

OTHER PUBLICATIONS

“Again faster competition barbell,” [online], posted Dec. 28, 2016, retrieved Sep. 7, 2017, retrieved from <<https://www.againfaster.com/Competition-Barbells>>.\*

\* cited by examiner

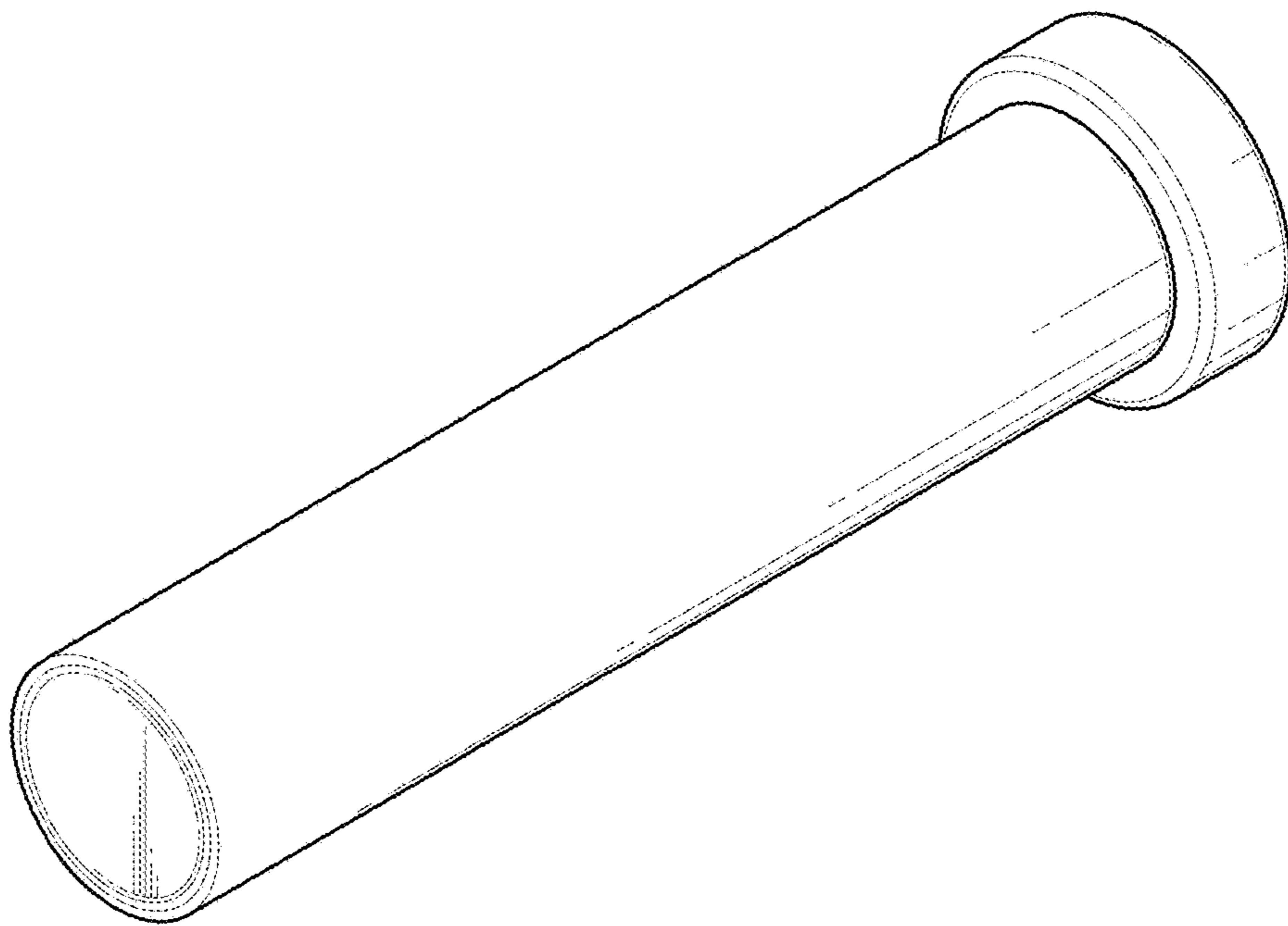


Fig. 1

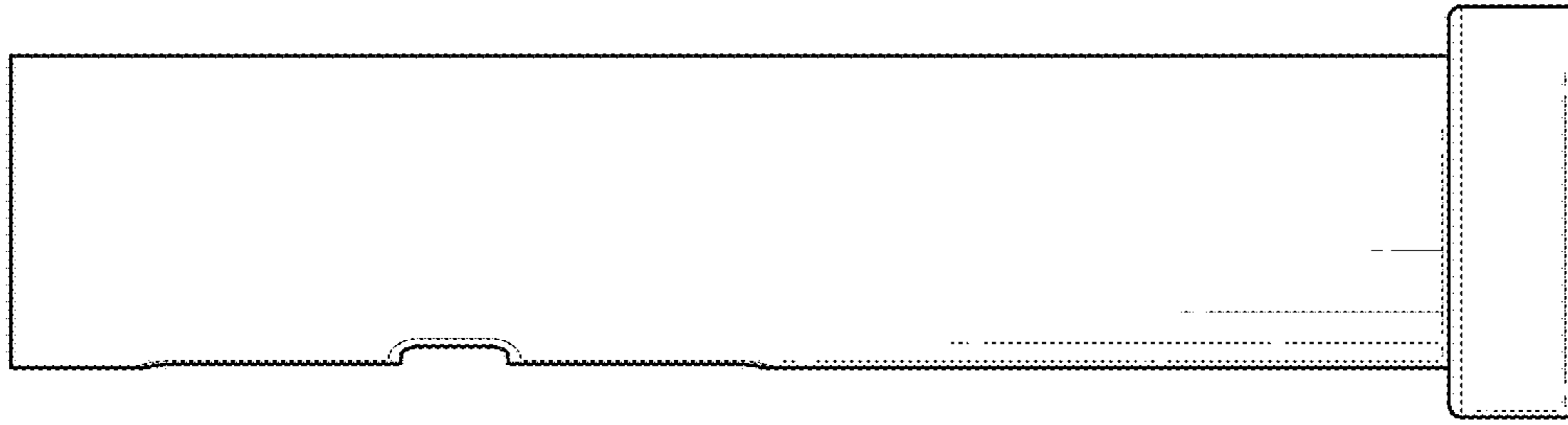


Fig. 2

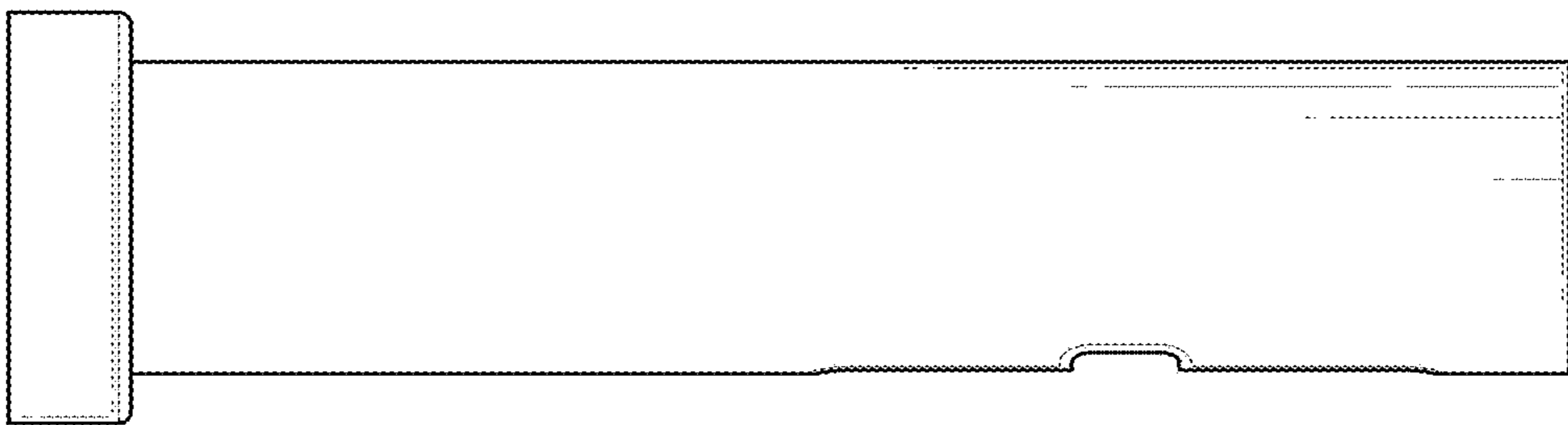


Fig. 3

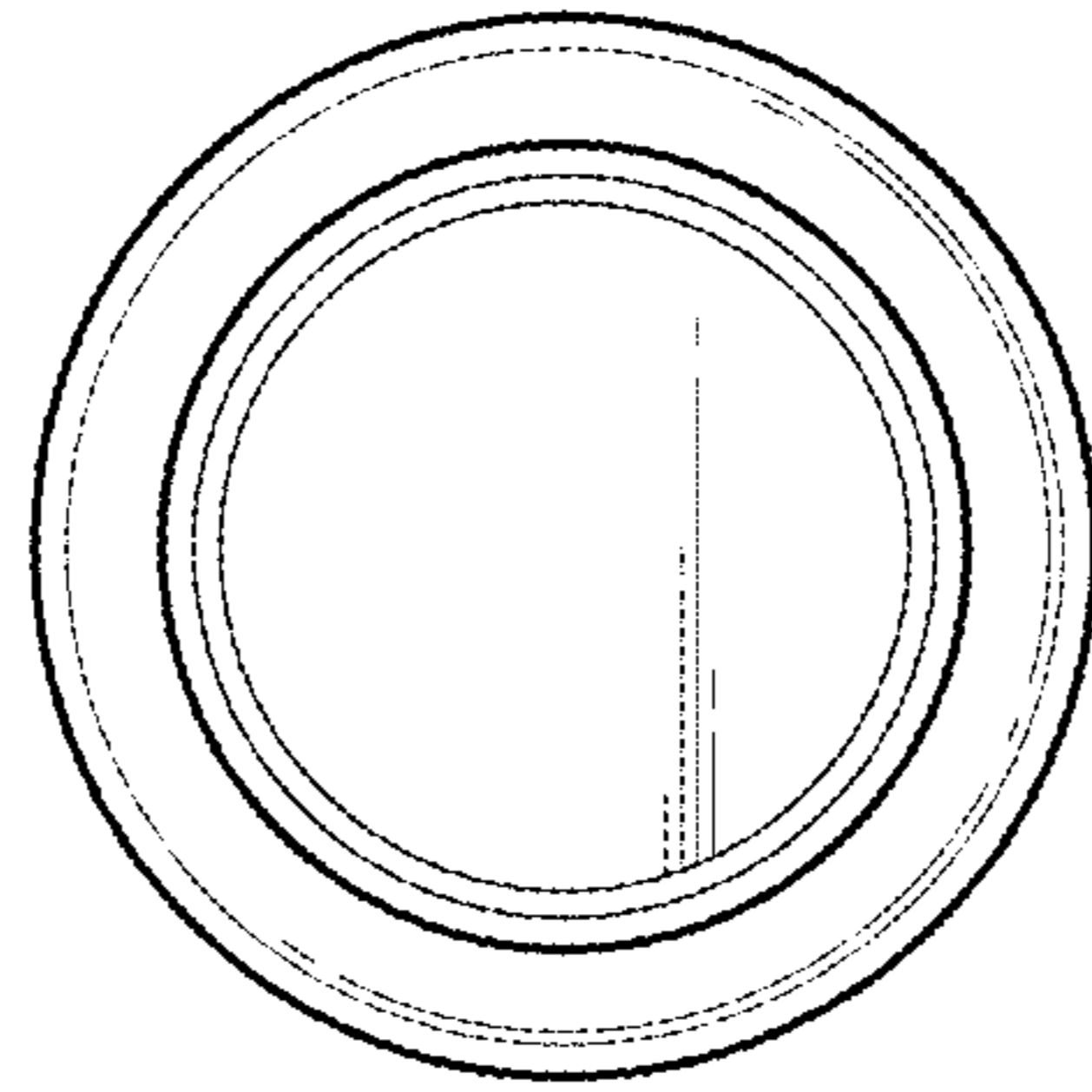


Fig. 4

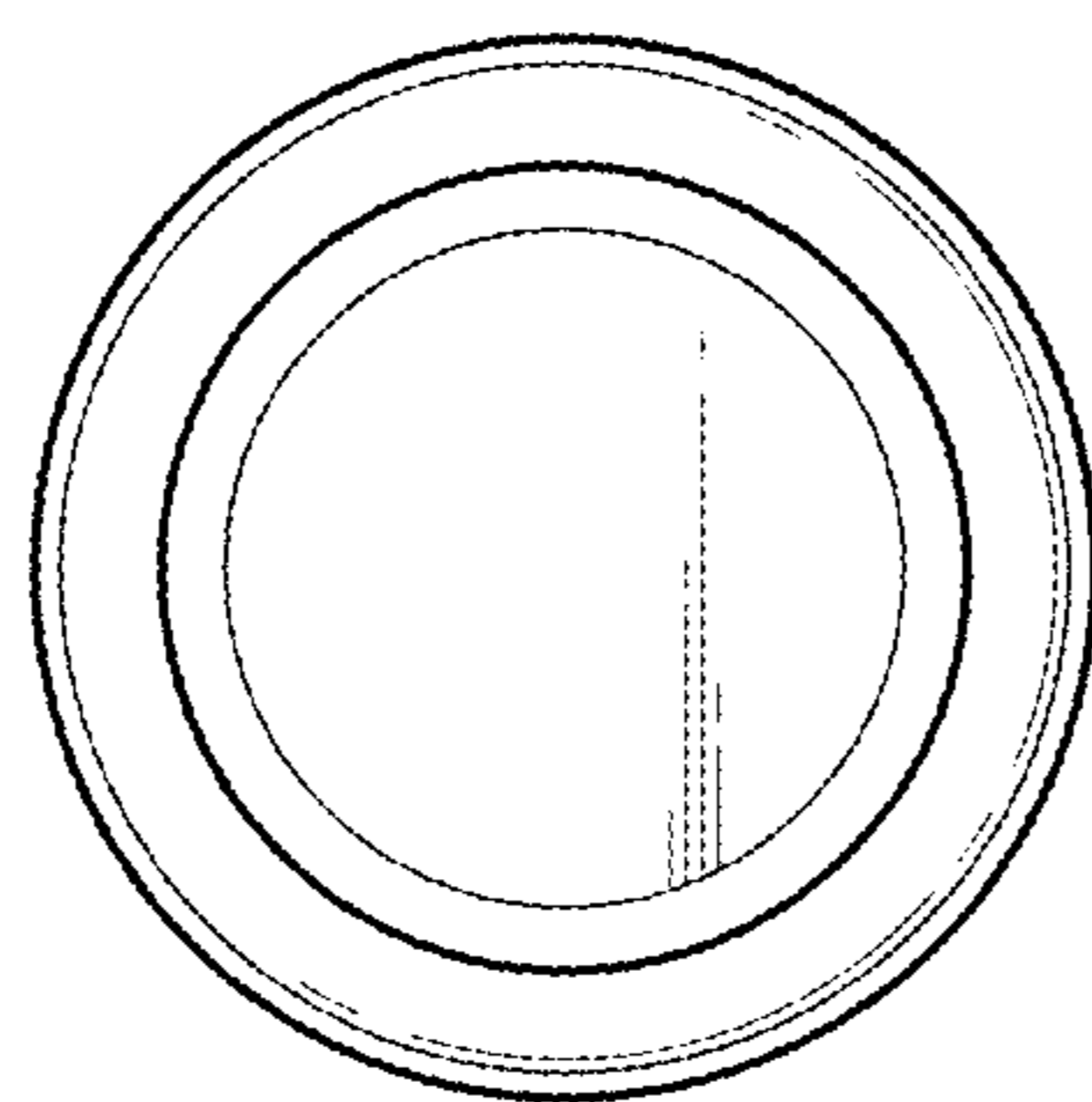


Fig. 5

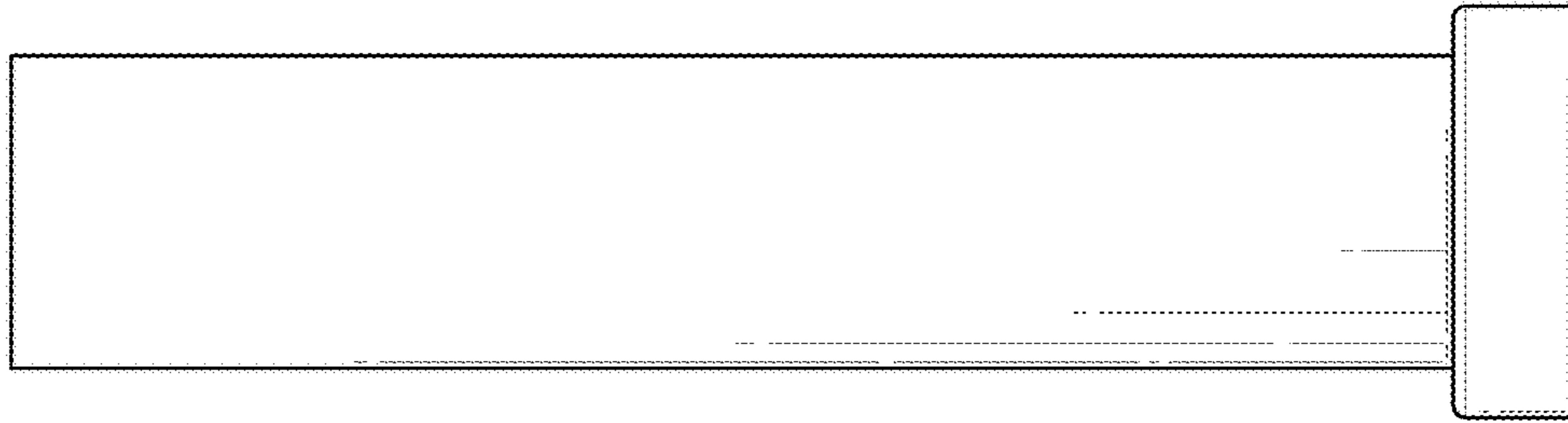


Fig. 6

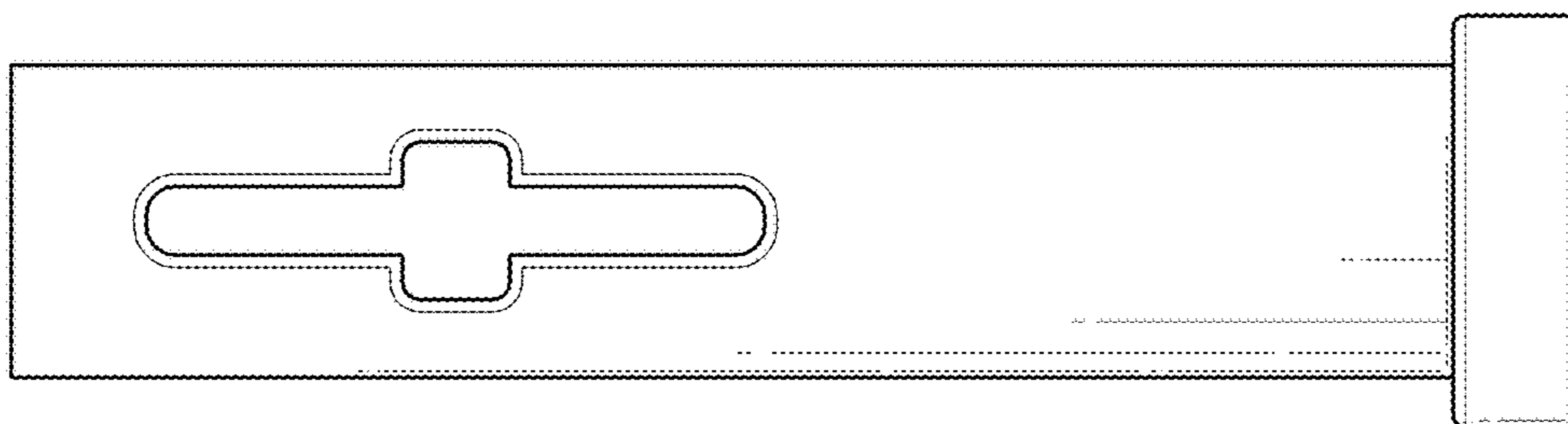


Fig. 7

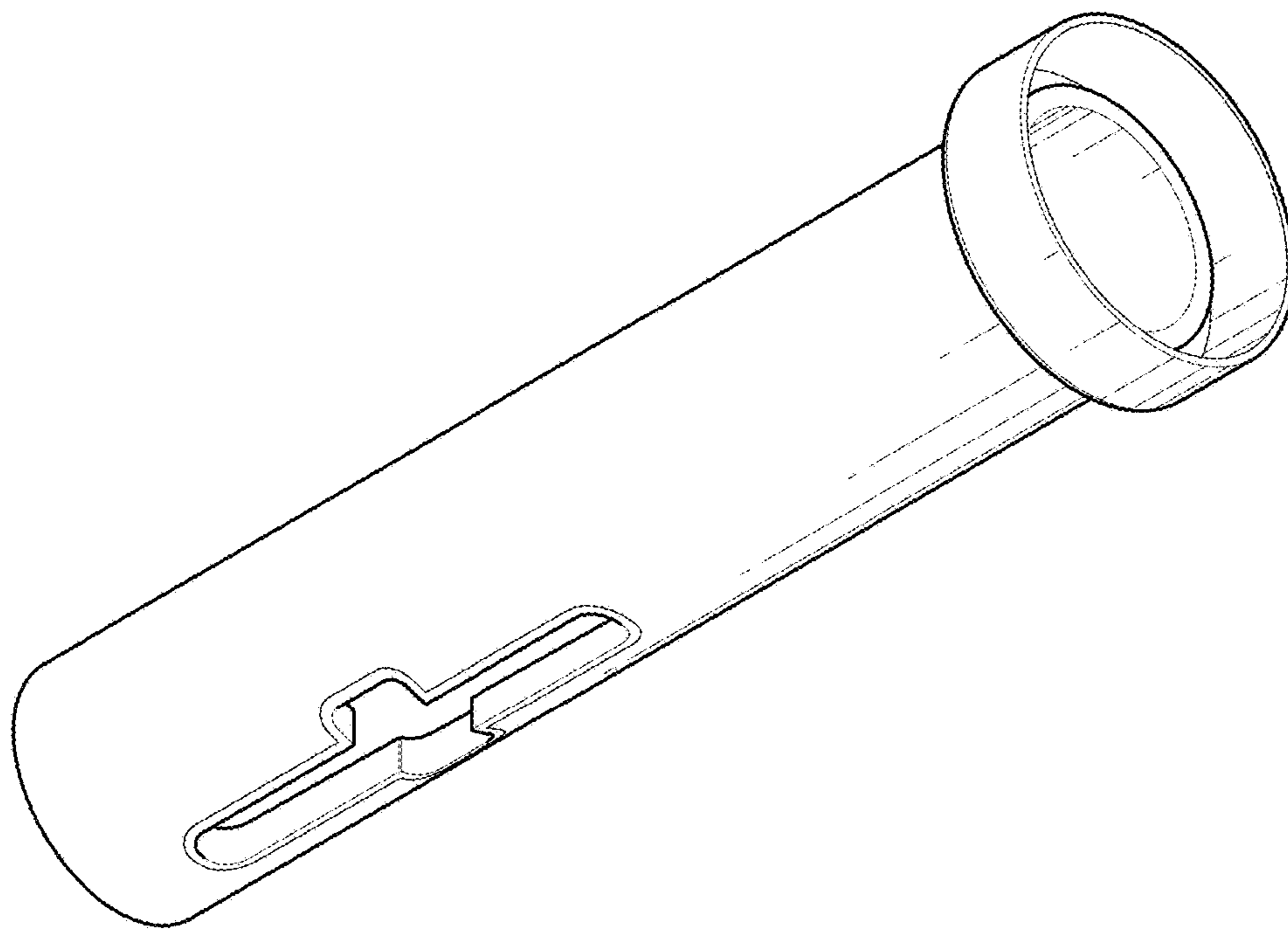


Fig. 8

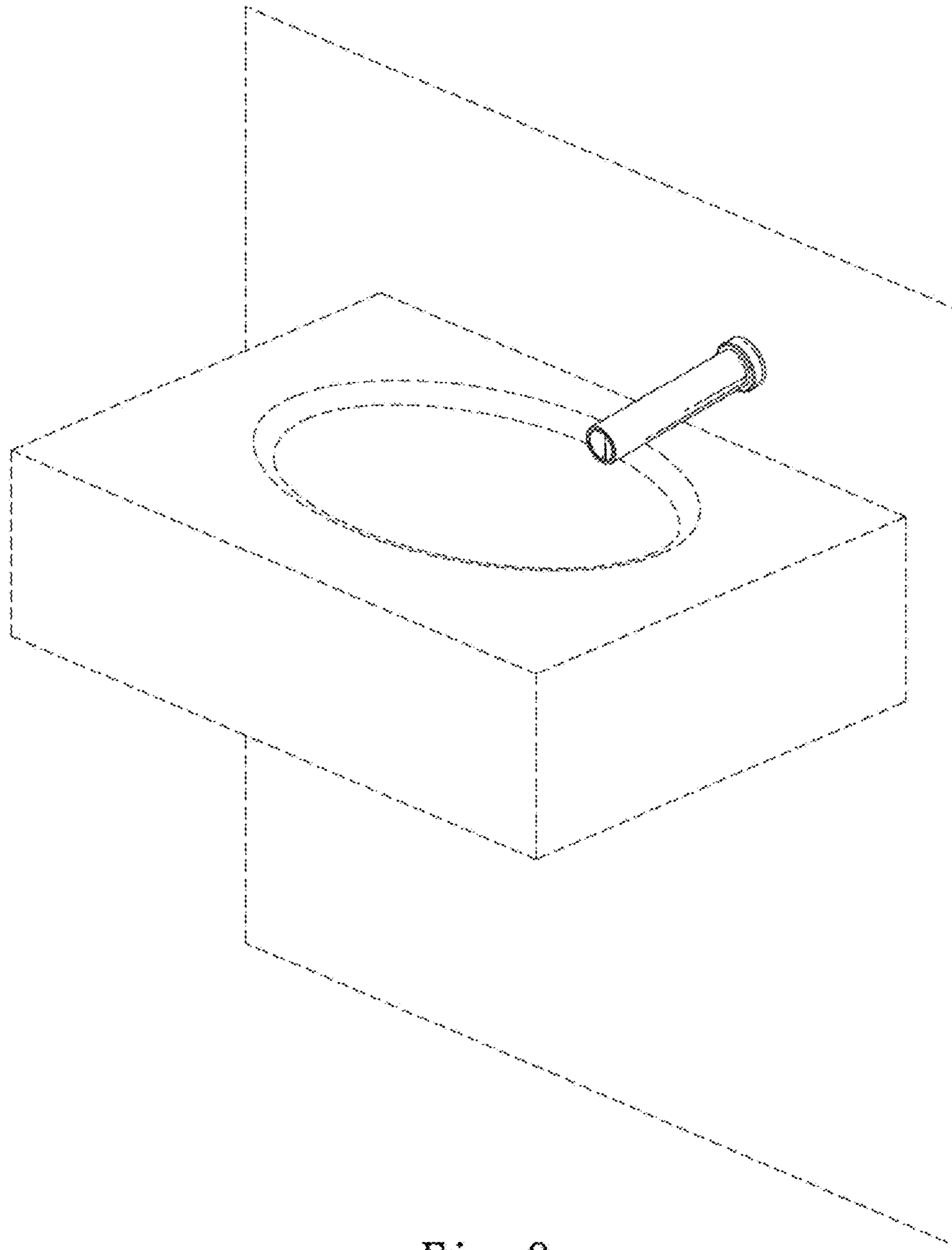


Fig. 9