



US00D82992S

(12) **United States Design Patent** (10) **Patent No.:** **US D829,992 S**
Hage et al. (45) **Date of Patent:** **** Oct. 2, 2018**

(54) **CARTRIDGE HEAD FOR A SAFETY RAZOR**

(71) Applicant: **PRESTON HAGE, LLC**, Orlando, FL (US)

(72) Inventors: **Preston Hage**, Orlando, FL (US);
Matthew G. Taylor, Orlando, FL (US)

(73) Assignee: **PRESTON HAGE, LLC**, Orlando, FL (US)

(**) Term: **15 Years**

(21) Appl. No.: **29/592,346**

(22) Filed: **Jan. 30, 2017**

(51) **LOC (11) Cl.** **28-03**

(52) **U.S. Cl.**
USPC **D28/47**

(58) **Field of Classification Search**
USPC D28/45-48
CPC B26B 21/4012-21/4031; B26B 21/4043;
B26B 21/522; B26B 21/521; B26B 21/10;
B26B 21/44; B26B 21/525; B26B 21/526
See application file for complete search history.

(56) **References Cited**

U.S. PATENT DOCUMENTS

843,059 A	2/1907	Arnold
913,186 A	2/1909	Arnold
978,705 A	12/1910	Dannacher
1,059,774 A	4/1913	Sharpneck
1,089,727 A	3/1914	Sharpnack
1,092,367 A	4/1914	Knapp
1,226,614 A	5/1917	Hiskey
1,801,889 A	4/1931	Ventimiglia
2,127,881 A	8/1938	Morris
2,243,441 A	5/1941	Russell
2,269,875 A	1/1942	Huntington
2,352,813 A	7/1944	Testi
2,380,461 A	7/1945	Pedersen et al.

2,501,987 A	3/1950	Brown
2,565,062 A	8/1951	Blanchard
2,574,472 A	11/1951	Galvao
2,704,886 A	3/1955	Finelli
D190,325 S	5/1961	Pepin
3,137,940 A	6/1964	Curci
3,430,341 A	3/1969	Choate
3,619,900 A	11/1971	Matsura
D224,852 S *	9/1972	Dorion, Jr. 30/346
3,722,091 A	3/1973	Gagnon
3,802,072 A	4/1974	Wintercorn

(Continued)

FOREIGN PATENT DOCUMENTS

EP	3112100 A1 *	1/2017	B26B 21/522
FR	2632886 A1	12/1989		

(Continued)

Primary Examiner — Jennifer A Rivard

(74) *Attorney, Agent, or Firm* — Matthew G. McKinney, Esq.; Allen, Dyer et al.

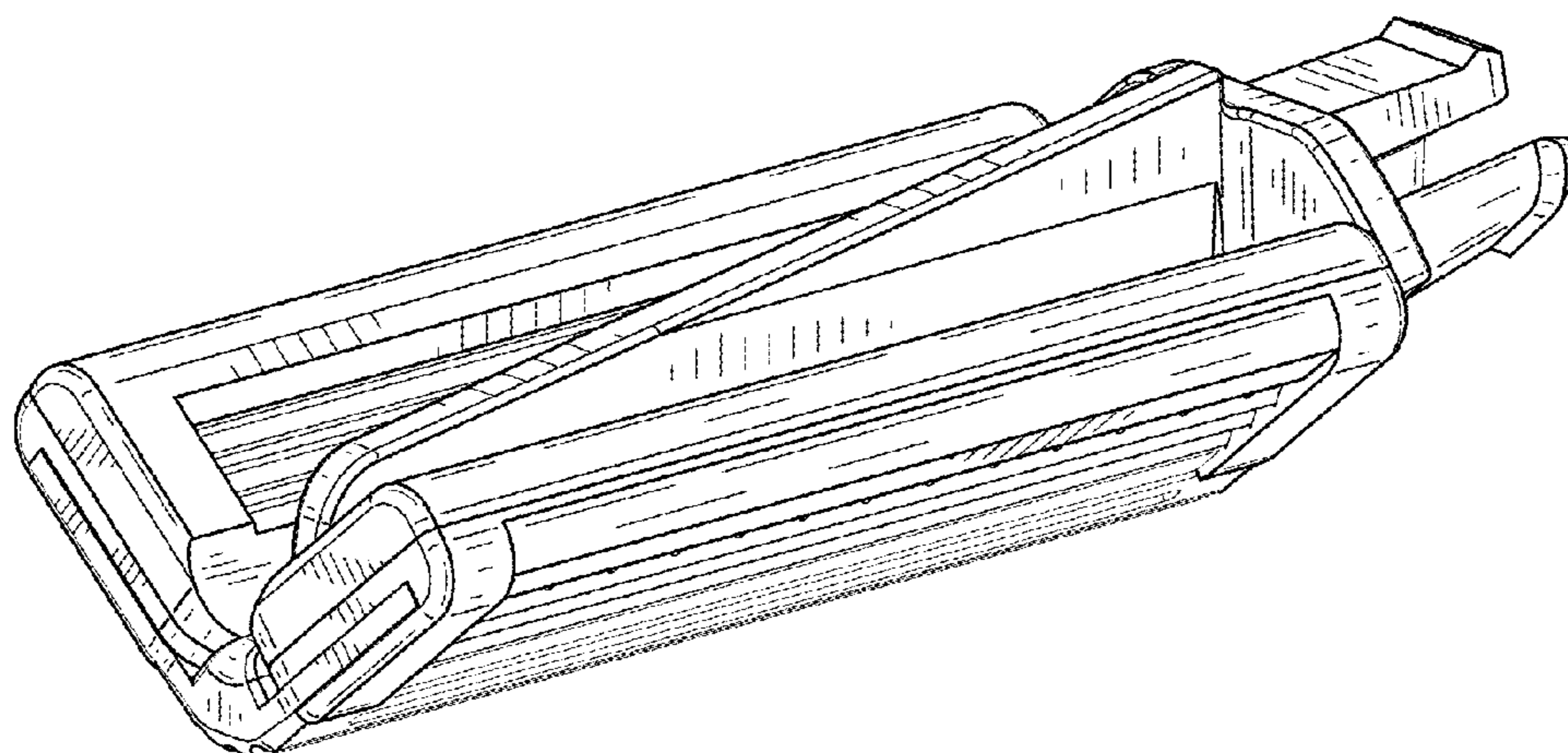
(57) **CLAIM**

The ornamental design for a cartridge head for a safety razor, as shown and described.

DESCRIPTION

FIG. 1 is a top perspective view of a cartridge head for a safety razor showing our new design; FIG. 2 is a bottom perspective view thereof; FIG. 3 is a rear elevational view thereof; FIG. 4 is a front elevational view thereof; FIG. 5 is a left side elevational view thereof; FIG. 6 is a top plan view thereof; FIG. 7 is a bottom plan view thereof; FIG. 8 is a top perspective view thereof; and, FIG. 9 is a right side elevational view thereof. The broken lines illustrate the environment of the cartridge head and form no part of the claimed design.

1 Claim, 4 Drawing Sheets



(56)

References Cited

U.S. PATENT DOCUMENTS

4,037,322 A * 7/1977 Bresler B26B 21/10
30/30

4,275,498 A 6/1981 Ciaffone

4,332,321 A 6/1982 Wratschko

4,344,226 A 8/1982 Blake, III

4,430,794 A 2/1984 Miller

4,442,598 A 4/1984 Jacobson

4,534,110 A * 8/1985 Glass B26B 21/20
30/346.57

4,649,642 A 3/1987 Nagasaki et al.

4,791,724 A 12/1988 Dumas

D303,023 S * 8/1989 Sinclair D28/46

4,884,338 A 12/1989 Stewart

4,916,814 A 4/1990 Althaus

5,033,152 A 7/1991 Althaus

5,133,131 A 7/1992 Hoffman

5,343,622 A 9/1994 Andrews

5,426,851 A 6/1995 Gilder et al.

5,522,137 A 6/1996 Andrews

D388,540 S 12/1997 Ramar

5,787,594 A 8/1998 Estrada

5,934,291 A 8/1999 Andrews

5,979,056 A 11/1999 Andrews

D423,143 S * 4/2000 Cowell D28/46

6,055,731 A 5/2000 Zucker

6,082,007 A 7/2000 Andrews

6,141,875 A 11/2000 Andrews

6,161,287 A 12/2000 Swanson et al.

6,161,288 A 12/2000 Andrews

6,164,290 A 12/2000 Andrews

6,397,473 B1 6/2002 Clark

6,434,828 B1 8/2002 Andrews

6,442,840 B2 9/2002 Zucker

6,493,950 B1 12/2002 Kludjian et al.

6,505,403 B1 1/2003 Andrews

6,550,148 B2 4/2003 Cecil

D482,492 S 11/2003 Cheung

6,823,594 B2 11/2004 Kludjian et al.

6,877,227 B2 4/2005 Santhagens Van Eibergen et al.

D588,744 S * 3/2009 Fischer D28/47

D588,745 S * 3/2009 Fischer D28/47

7,721,451 B2 5/2010 Psimadas et al.

D674,144 S * 1/2013 Yamamoto D28/46

D701,646 S * 3/2014 Jobdevairakkam D28/47

8,745,876 B2 6/2014 Hage et al.

D750,323 S * 2/2016 Exley D28/45

D807,581 S * 1/2018 Bolduc D28/47

2003/0182802 A1 10/2003 Vega et al.

2003/0188444 A1 10/2003 Ferraro

2004/0123467 A1 7/2004 Policappelli

2004/0128835 A1 7/2004 Coffin et al.

2005/0262696 A1* 12/2005 Ouchi B26B 19/063
30/50

2006/0277769 A1 12/2006 Coffin et al.

2008/0216329 A1 9/2008 Leventhal

2009/0013534 A1 1/2009 Mallaridas

2010/0064520 A1 3/2010 Park et al.

2011/0016734 A1 1/2011 Kludjian et al.

2011/0173821 A1* 7/2011 Hage B26B 21/10

2012/0317816 A1 12/2012 Murgida

2014/0230251 A1* 8/2014 Hage B26B 21/10

2015/0101196 A1 4/2015 Bolivar

2016/0096280 A1 4/2016 Robertson

2017/0136638 A1* 5/2017 Hage B26B 21/521

FOREIGN PATENT DOCUMENTS

JP H04347191 A 12/1992

JP 5123460 A 5/1993

KR 20160146834 A 12/2016

WO WO2008077875 A1 7/2008

WO WO2011091226 A3 7/2011

WO WO2012033362 A2 3/2012

* cited by examiner

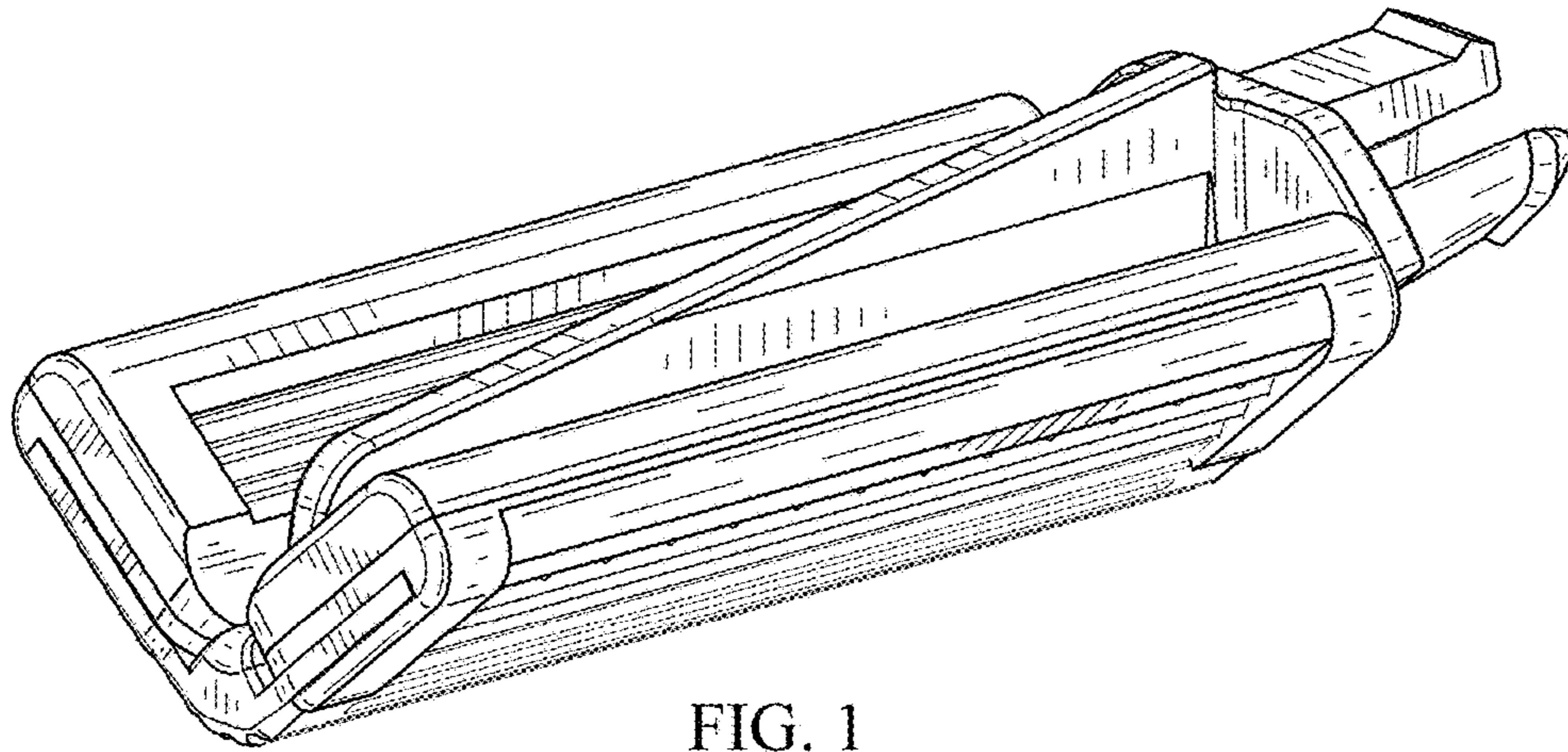


FIG. 1

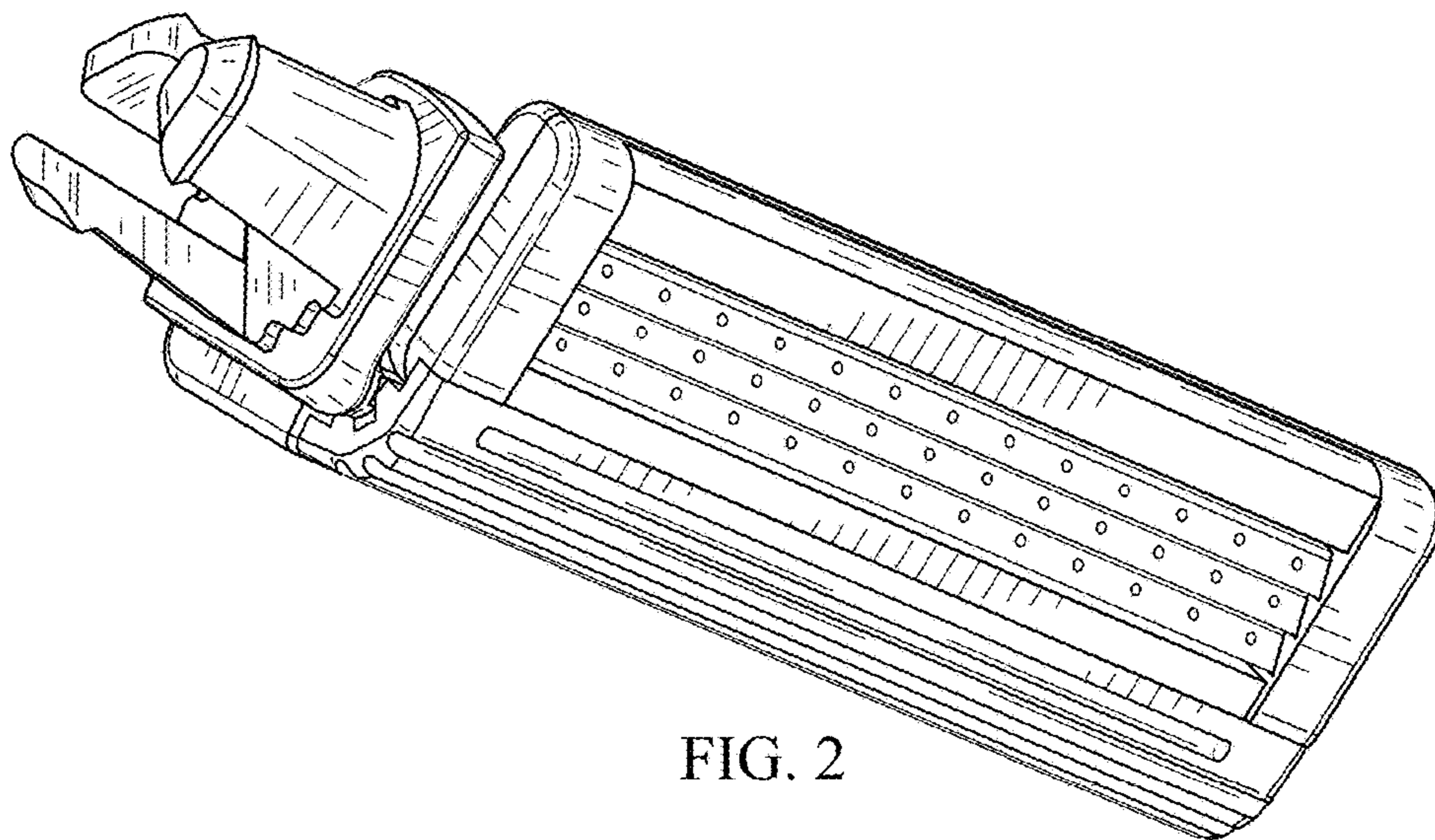


FIG. 2

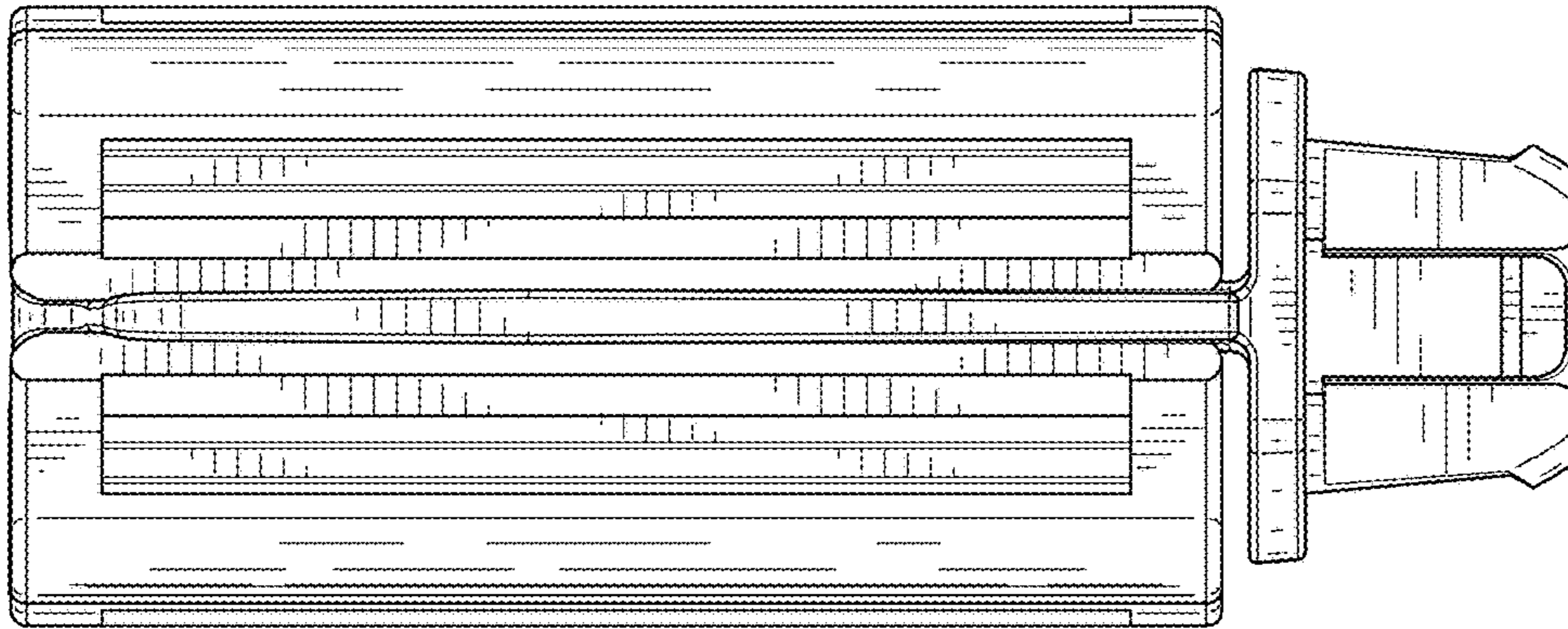


FIG. 3

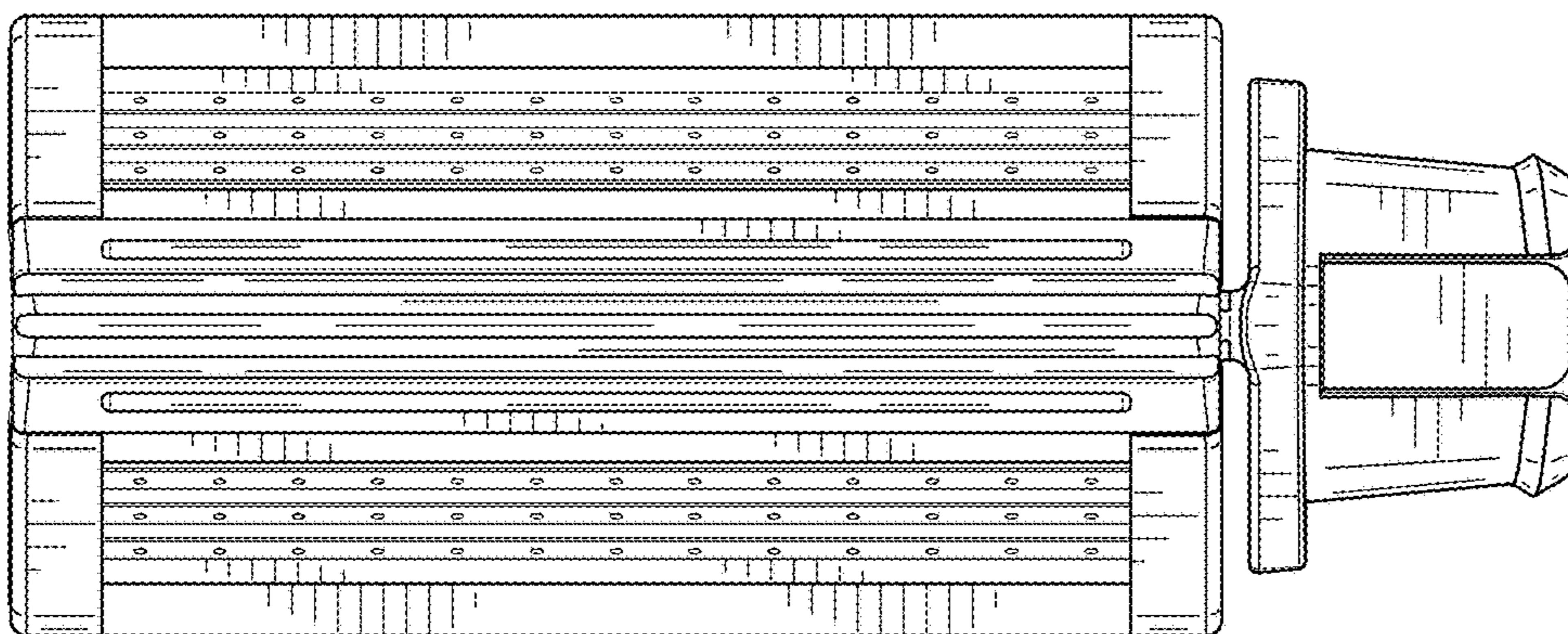


FIG. 4

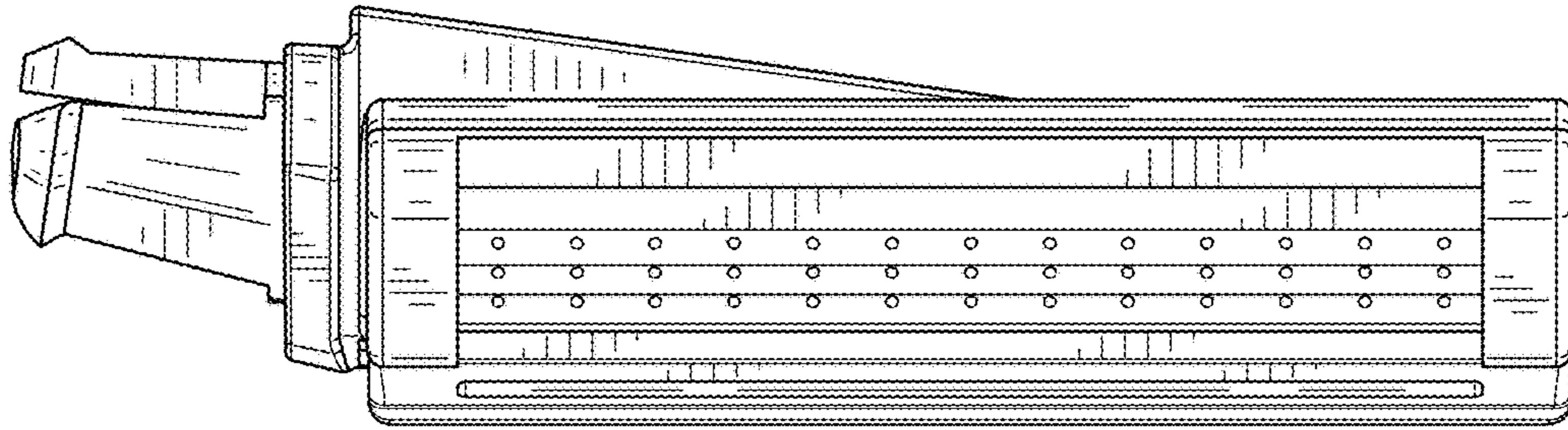


FIG. 5

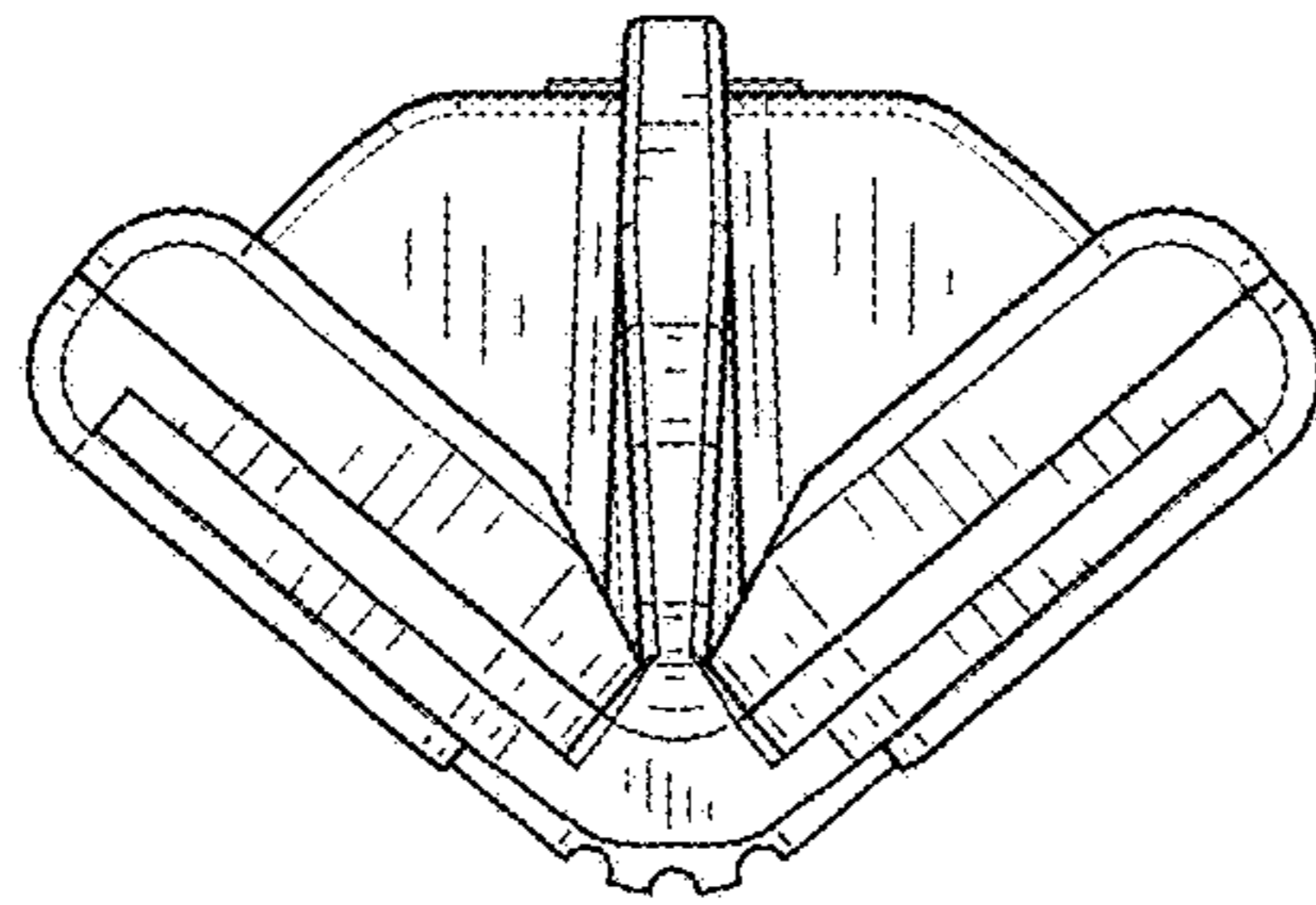


FIG. 6

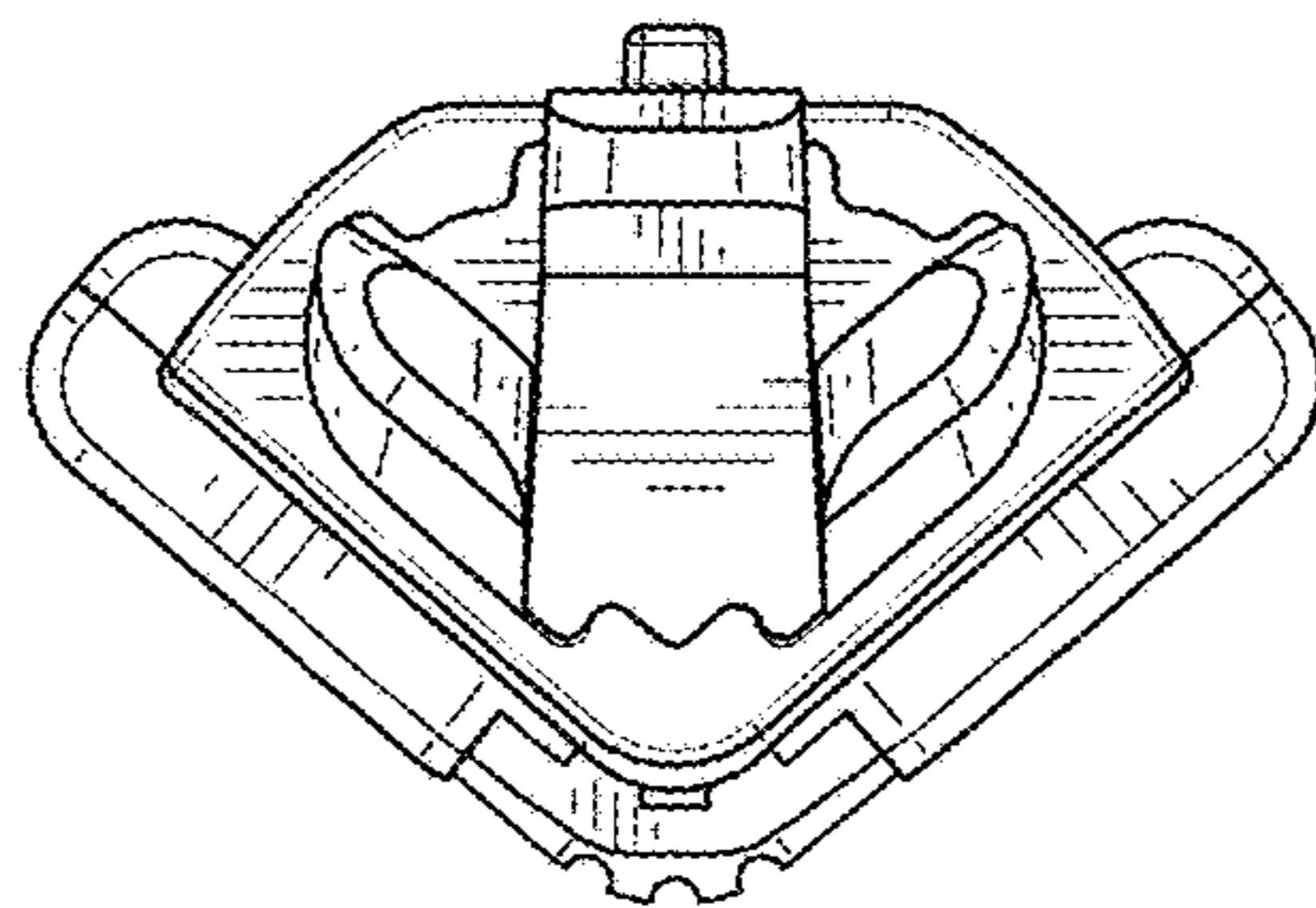


FIG. 7

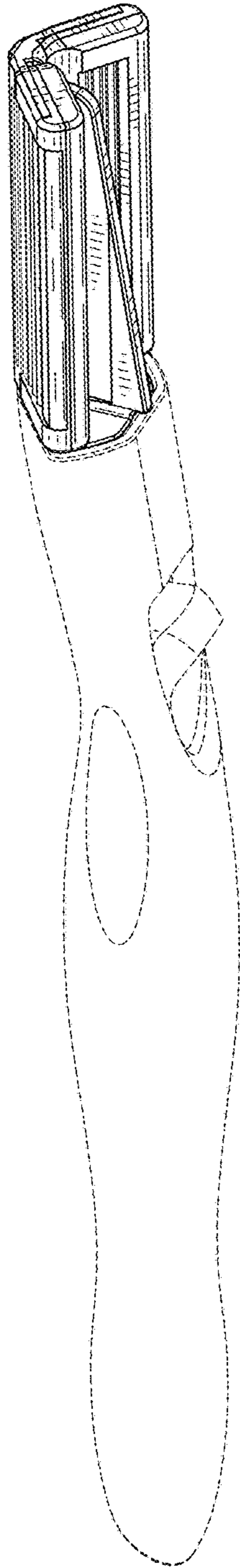


FIG. 8

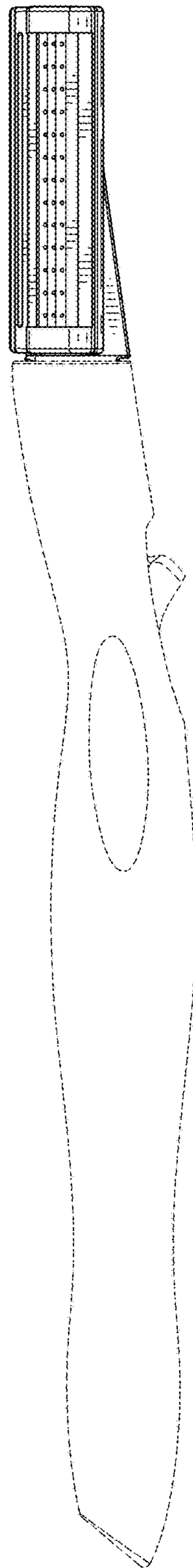


FIG. 9