



US00D829991S

(12) **United States Design Patent**
Zucker

(10) **Patent No.:** **US D829,991 S**
(45) **Date of Patent:** **** *Oct. 2, 2018**

- (54) **RAZOR CARTRIDGE** 6,854,188 B1 * 2/2005 Wonderley B26B 21/225
30/527
- (71) Applicant: **Personal Care Marketing and Research, Inc.**, Beverly Hills, CA (US) D514,253 S 1/2006 Gray
D516,243 S 2/2006 Nakasuka
D524,986 S 7/2006 Prudden, Jr.
D526,089 S 8/2006 Fischer et al.
- (72) Inventor: **Shlomo Zucker**, Mihmoret (IL) D533,684 S 12/2006 Gray et al.
D535,784 S 1/2007 Wonderley et al.
- (73) Assignee: **Personal Care Marketing and Research, Inc.**, Marina Del Rey, CA (US) D547,494 S 7/2007 Watson et al.
D556,378 S 11/2007 Watson et al.
D560,034 S 1/2008 Fischer et al.
D563,043 S 2/2008 Ramm
D563,044 S 2/2008 Ramm
D575,454 S 8/2008 Keene et al.
- (*) Notice: This patent is subject to a terminal disclaimer.

(Continued)

(**) Term: **15 Years**

Primary Examiner — Jennifer A Rivard
(74) *Attorney, Agent, or Firm* — DLA Piper LLP

(21) Appl. No.: **29/585,155**

(57) **CLAIM**

(22) Filed: **Nov. 21, 2016**

I claim the ornamental design for a razor cartridge, as shown and described.

Related U.S. Application Data

DESCRIPTION

- (63) Continuation of application No. 29/578,793, filed on Sep. 23, 2016, now Pat. No. Des. 816,910.
- (51) **LOC (11) Cl.** **28-03**
- (52) **U.S. Cl.**
USPC **D28/47**
- (58) **Field of Classification Search**
USPC D28/46–48, 54
CPC . B26B 21/4012–21/4031; B26B 21/28; B26B 21/22–21/227; B26B 21/08; B26B 21/12; B26B 21/14; B26B 21/16; B26B 21/18; B26B 21/54–21/565
See application file for complete search history.

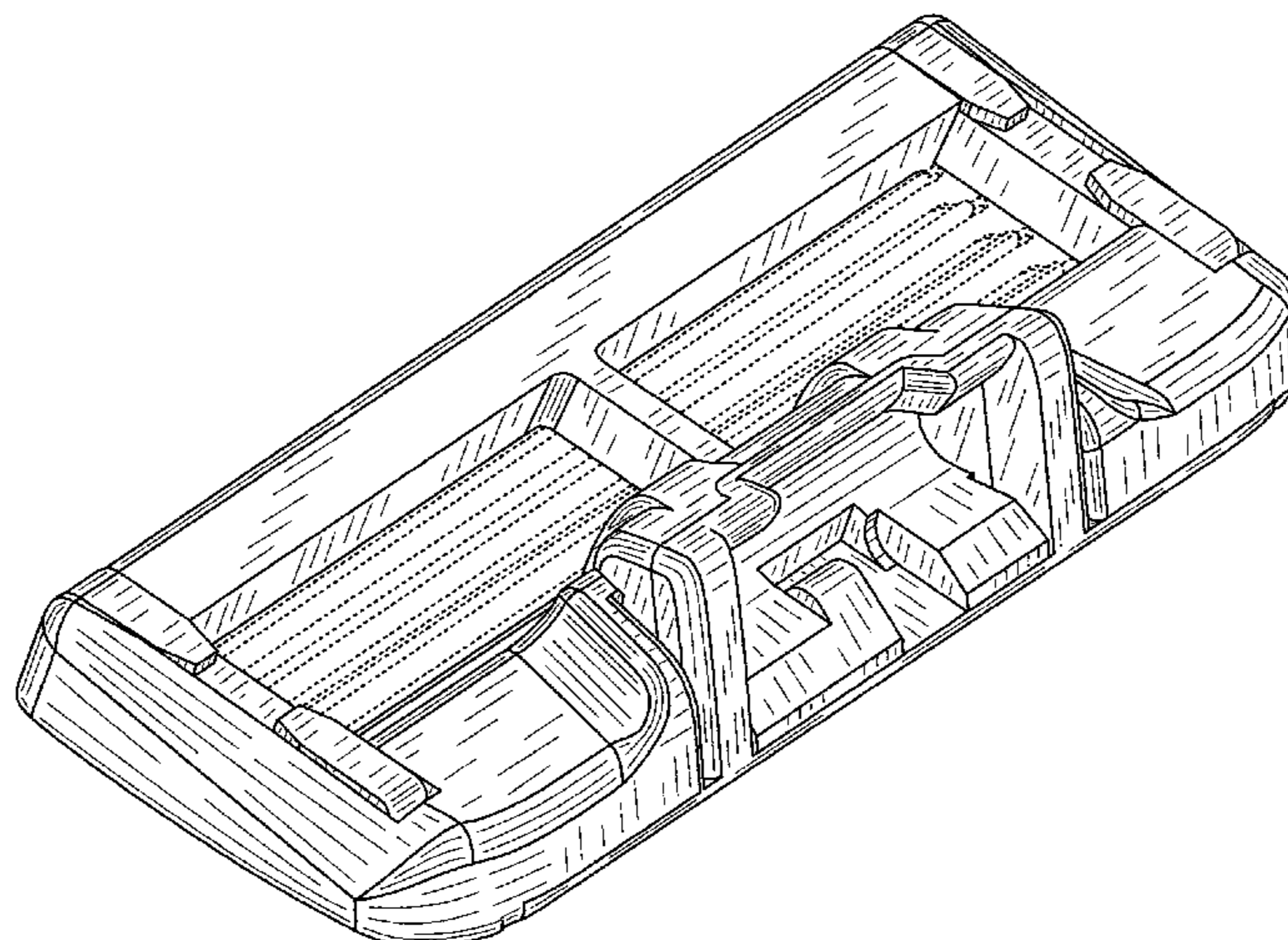
FIG. 1 is a front perspective of a razor cartridge, according to an embodiment of our new design;
 FIG. 2 is a bottom perspective of a razor cartridge, according to an embodiment of our new design;
 FIG. 3 is a front elevational view of a razor cartridge, according to an embodiment of our new design;
 FIG. 4 is a rear elevational view of a razor cartridge, according to an embodiment of our new design;
 FIG. 5 is a bottom plan view of a razor cartridge, according to an embodiment of our new design;
 FIG. 6 is a top plan view of a razor cartridge, according to an embodiment of our new design;
 FIG. 7 is a side elevational view of a razor cartridge, according to an embodiment of our new design; and,
 FIG. 8 is another side elevational view of a razor cartridge, according to an embodiment of our new design.
 The broken lines illustrate portions of the razor cartridge and form no part of the claimed design.

(56) **References Cited**

U.S. PATENT DOCUMENTS

- D415,315 S 10/1999 Swanson et al.
- D422,751 S 4/2000 Gray
- D484,275 S 12/2003 Prochaska
- D499,843 S 12/2004 Nakasuka

1 Claim, 8 Drawing Sheets



(56)

References Cited

U.S. PATENT DOCUMENTS

D588,309 S	3/2009	Wonderley et al.	D699,892 S	2/2014	Wonderley
D588,744 S	3/2009	Fischer et al.	D707,885 S	6/2014	Cataudella et al.
D588,745 S	3/2009	Fischer et al.	D730,578 S	5/2015	Long et al.
D601,753 S	10/2009	Cataudella et al.	D731,119 S *	6/2015	Daniel D28/46
D604,904 S	11/2009	Watson	D737,511 S	8/2015	Lettenberger et al.
D617,946 S	6/2010	Lukan et al.	D737,513 S	8/2015	Lettenberger et al.
D617,947 S *	6/2010	Lukan D28/47	D741,008 S *	10/2015	Bruno D28/47
D617,948 S	6/2010	Lukan et al.	D741,009 S	10/2015	Bruno et al.
D617,949 S *	6/2010	Lukan D28/47	D741,546 S *	10/2015	Witkus D28/47
D625,049 S	10/2010	Bridges et al.	D744,165 S *	11/2015	Tucker D28/47
D625,883 S	10/2010	Wonderley	D748,856 S	2/2016	Mahony et al.
D629,564 S	12/2010	Jung	D776,875 S *	1/2017	Ren D28/47
D630,378 S	1/2011	Jung	D779,121 S *	2/2017	Bruno D28/47
D630,797 S	1/2011	Witkus	2012/0124840 A1 *	5/2012	Iaccarino B26B 21/225 30/50
D631,198 S	1/2011	Adams et al.	2012/0151772 A1 *	6/2012	Moon B26B 21/225 30/41
D633,253 S	2/2011	Wonderley et al.	2013/0008029 A1 *	1/2013	Hill B26B 21/4068 30/32
D633,254 S	2/2011	Witkus	2014/0068953 A1 *	3/2014	Wonderley B26B 21/521 30/527
D634,474 S	3/2011	Wilby	2014/0331500 A1 *	11/2014	Ren B26B 21/34 30/41
D635,717 S	4/2011	Furtek	2015/0158190 A1 *	6/2015	Georgakis B26B 21/222 30/50
D636,532 S	4/2011	Jessemey et al.	2015/0314465 A1 *	11/2015	Giannopoulos B26B 21/222 30/532
D639,507 S	6/2011	Furtek	2016/0158950 A1 *	6/2016	Griffin B26B 21/521 83/13
D640,415 S	6/2011	Wonderley et al.	2016/0297086 A1 *	10/2016	Efthimiadis B26B 21/4012
D643,976 S	8/2011	Wonderley et al.			
D643,977 S	8/2011	Wonderley et al.			
D648,075 S	11/2011	Wonderley et al.			
D648,076 S	11/2011	Jessemey et al.			
D653,395 S	1/2012	Adams et al.			
D661,426 S	6/2012	Wain et al.			
D662,661 S	6/2012	Corbeil et al.			

* cited by examiner

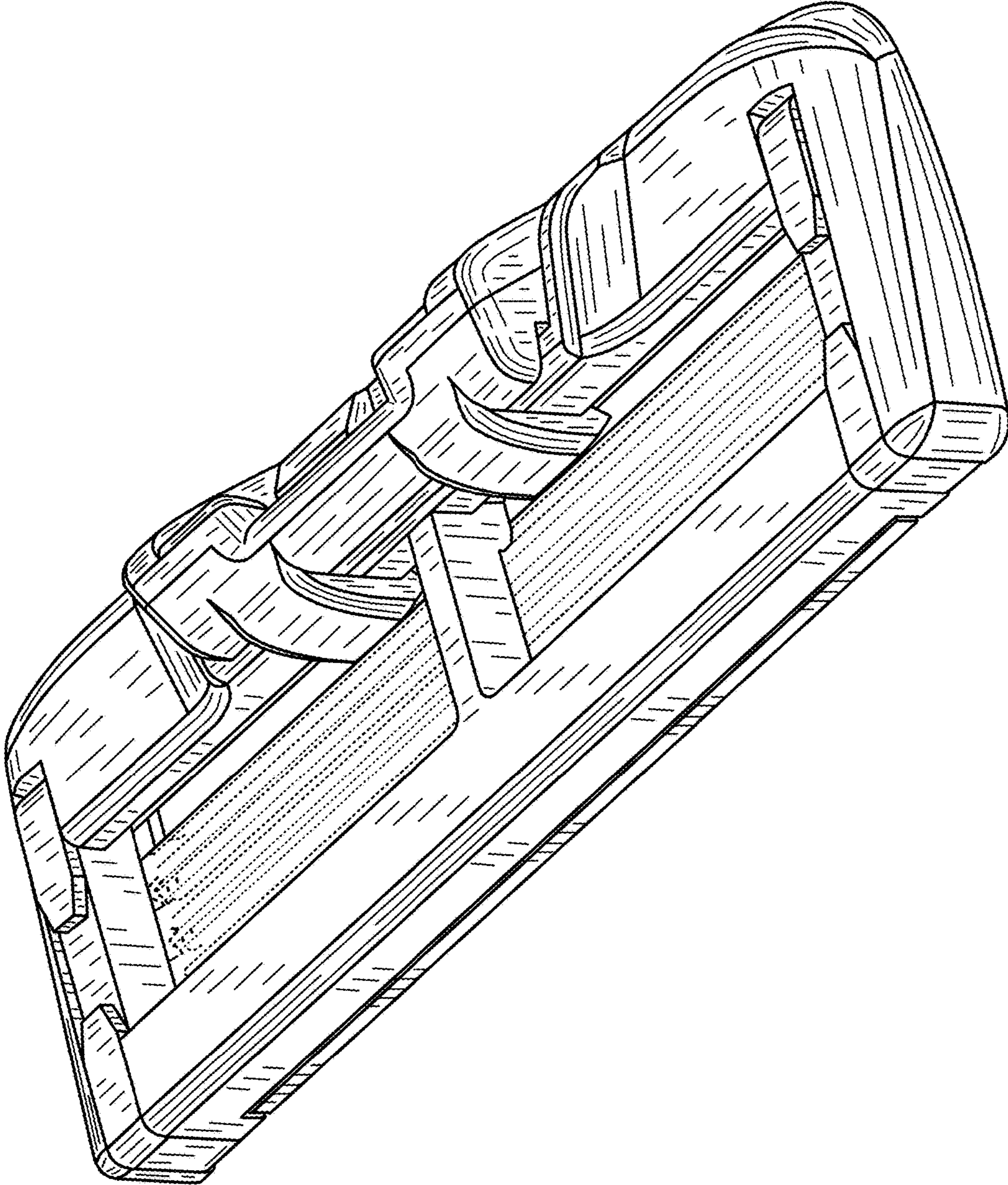


FIG. 1

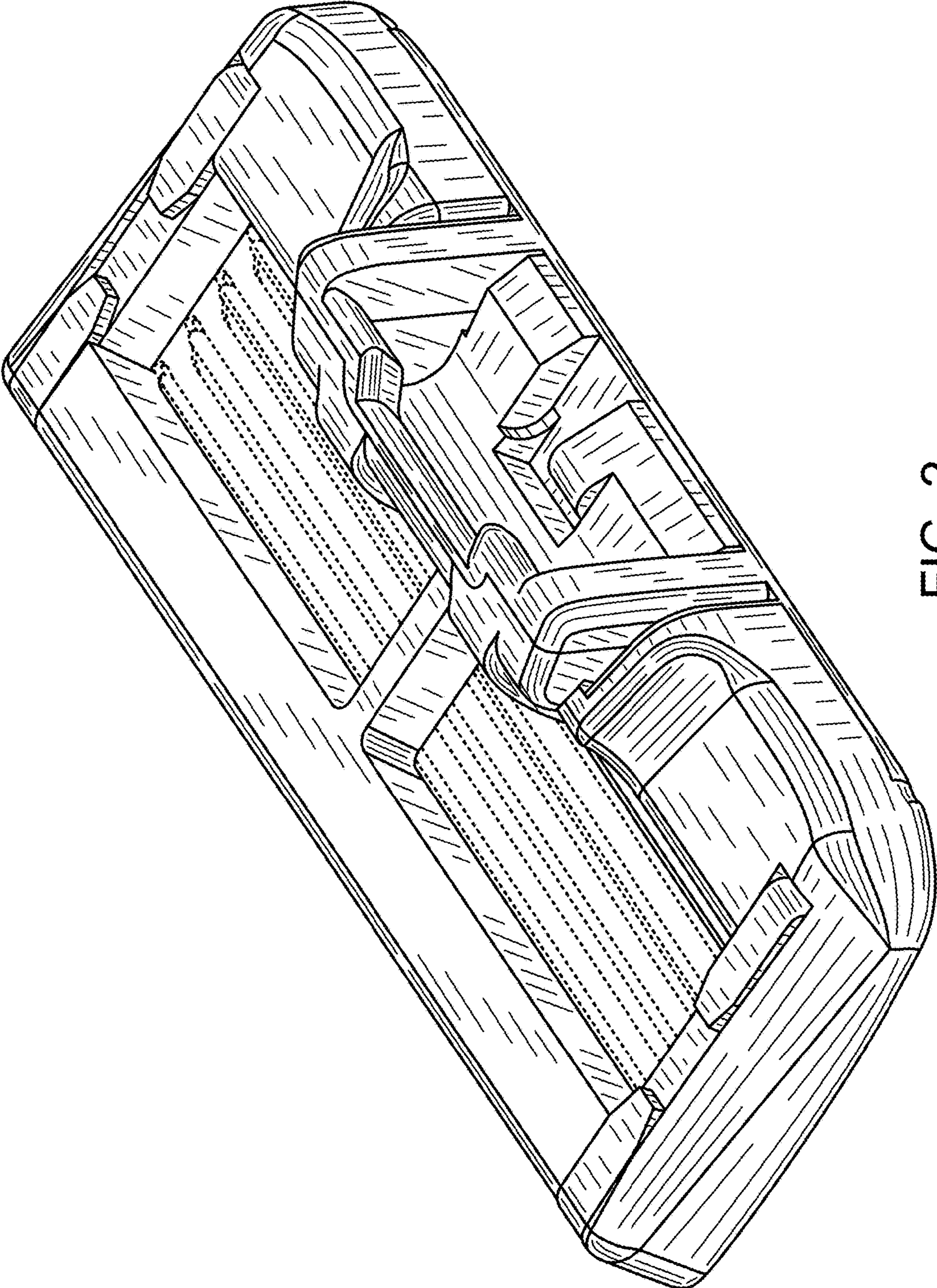


FIG. 2

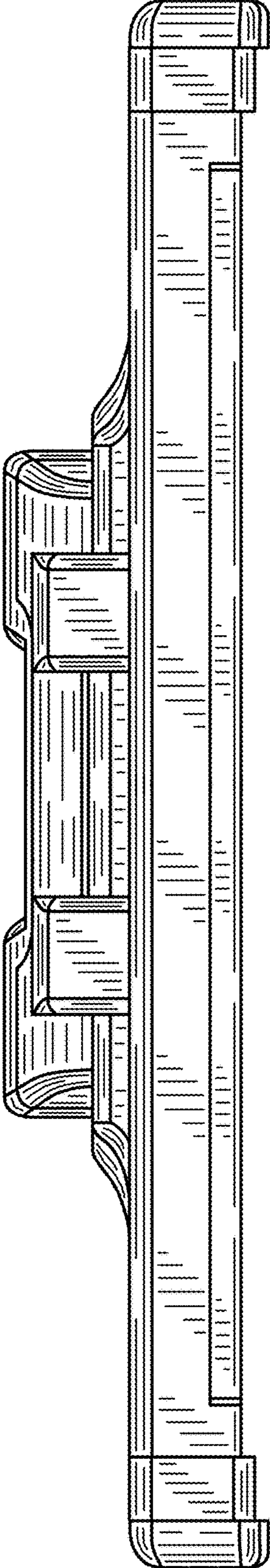


FIG. 3

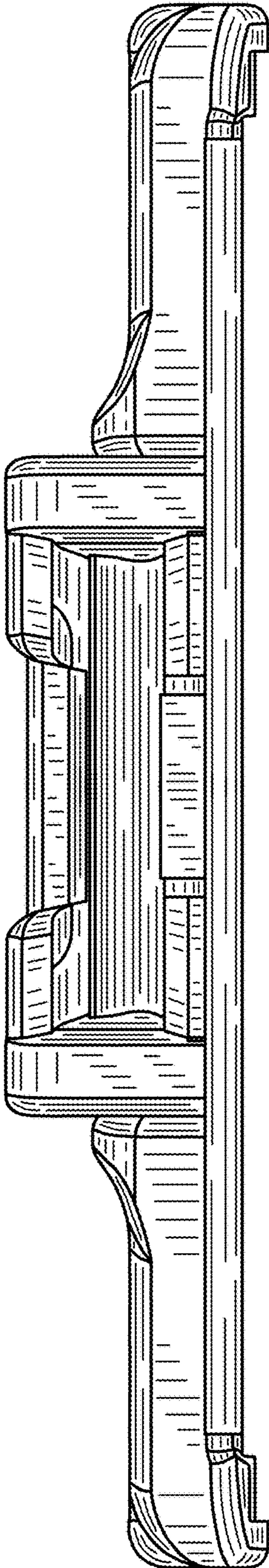


FIG. 4

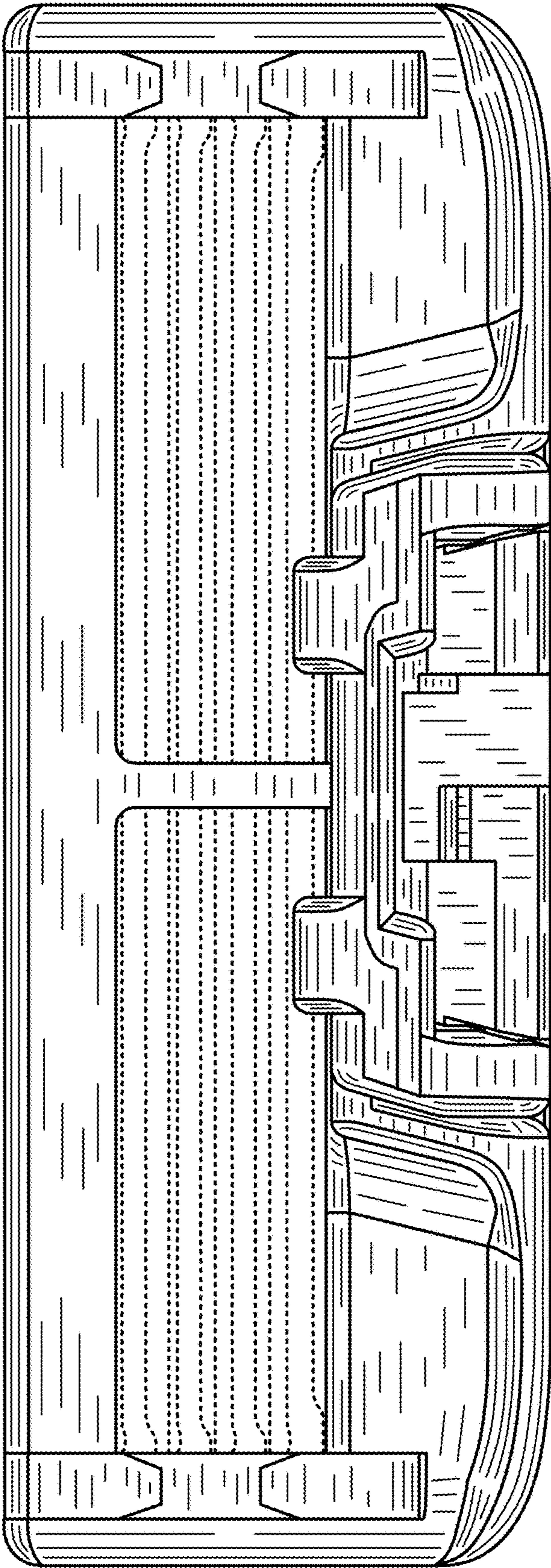


FIG. 5

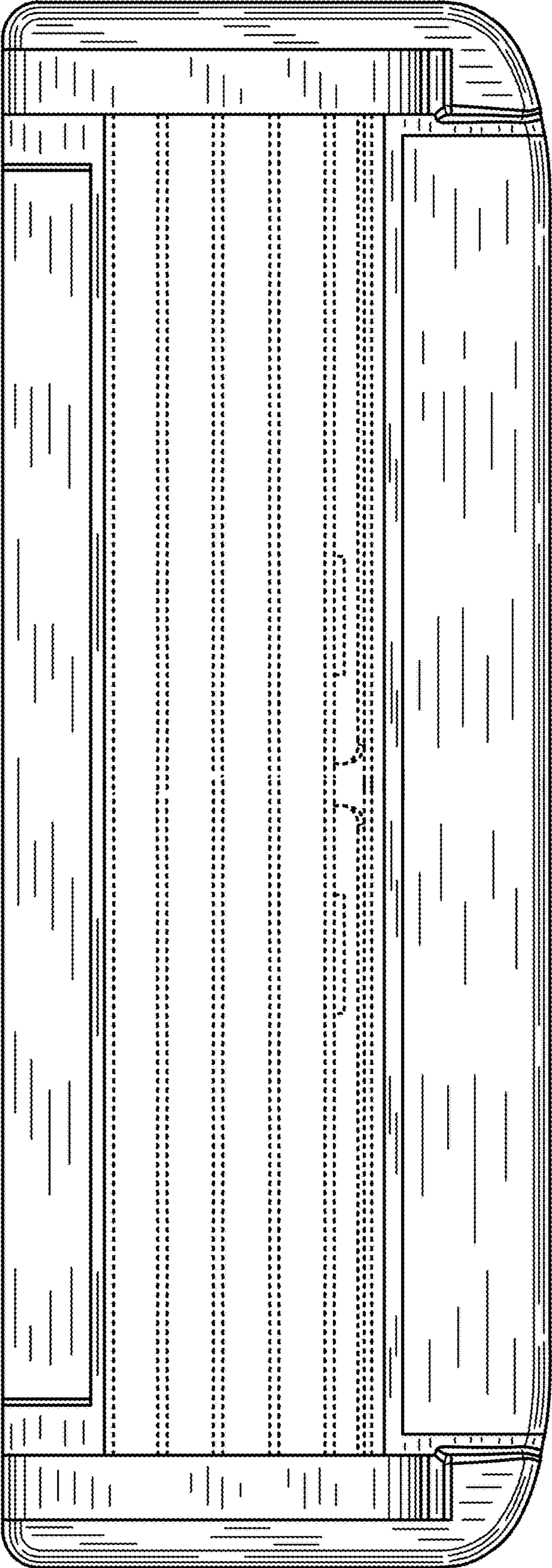


FIG. 6

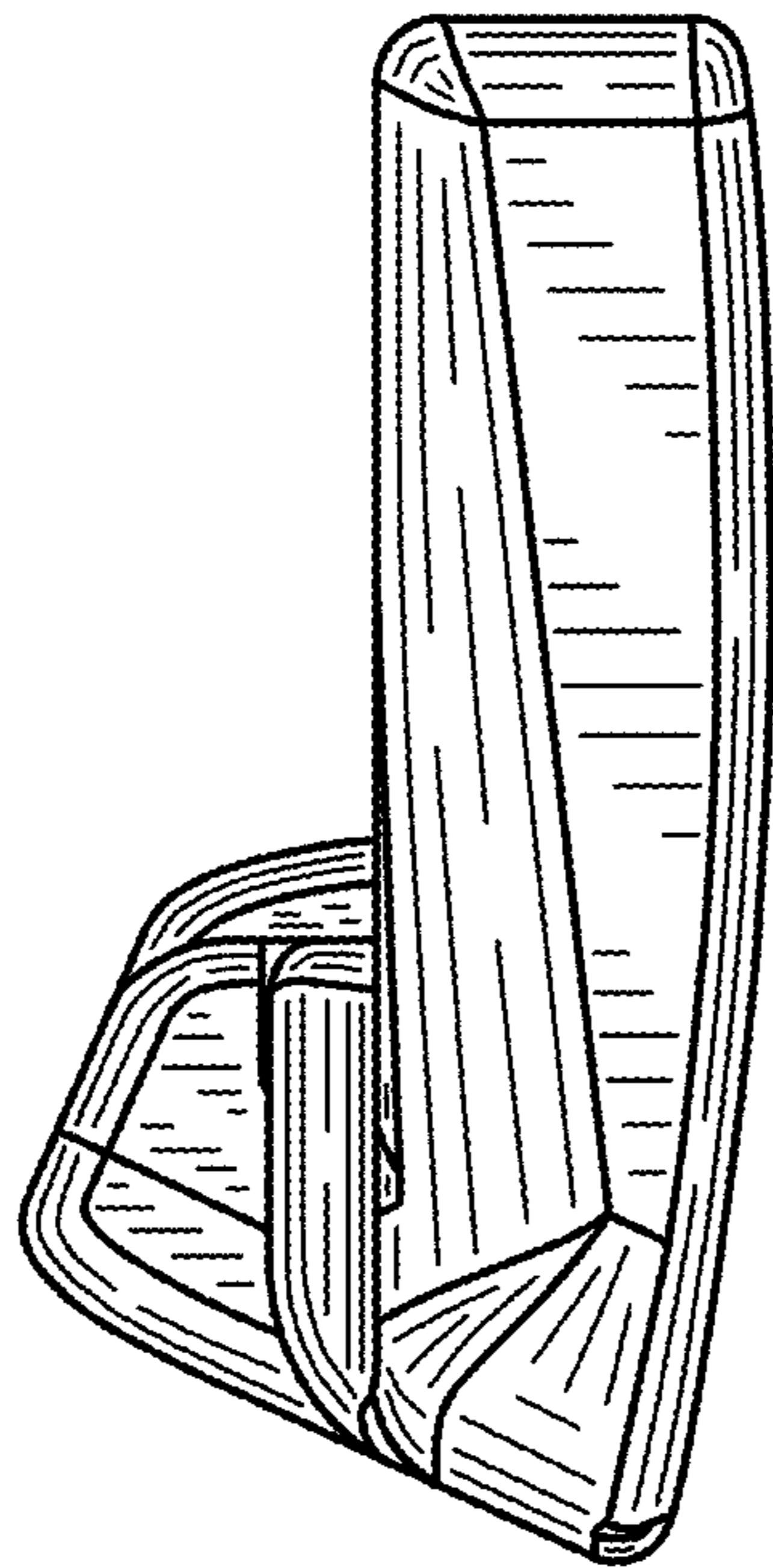


FIG. 7

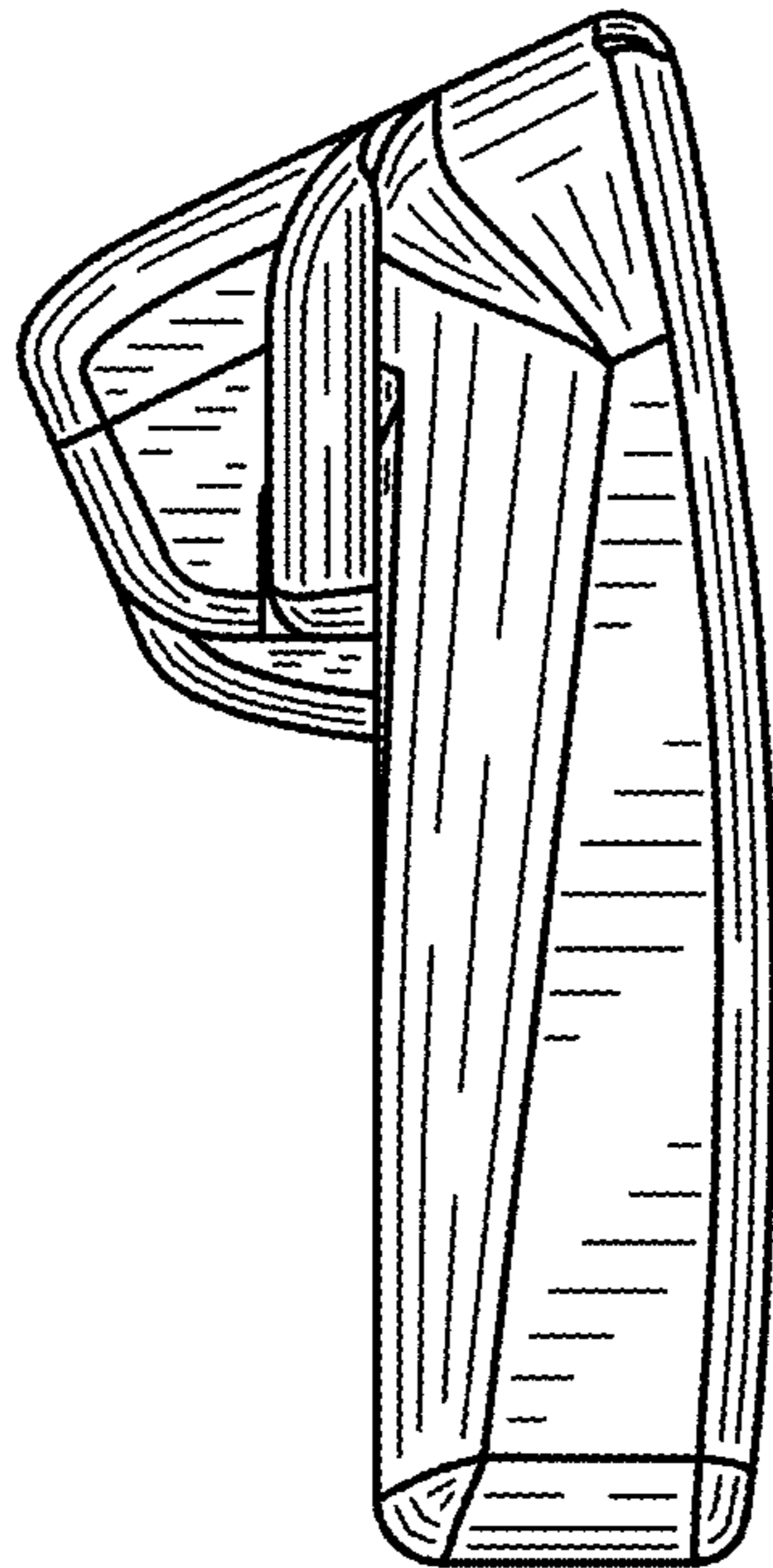


FIG. 8