



US00D829990S

(12) **United States Design Patent**
Hsu

(10) **Patent No.:** **US D829,990 S**
(45) **Date of Patent:** **** Oct. 2, 2018**

- (54) **HAIR CLIP**
- (71) Applicant: **Shih-Ling Hsu**, Tainan (TW)
- (72) Inventor: **Shih-Ling Hsu**, Tainan (TW)
- (**) Term: **15 Years**
- (21) Appl. No.: **29/596,070**
- (22) Filed: **Mar. 4, 2017**
- (51) **LOC (11) Cl.** **28-03**
- (52) **U.S. Cl.**
USPC **D28/40**
- (58) **Field of Classification Search**
USPC D28/39-43, 31-34, 25; D11/1-6;
132/273-284, 126-131, 144, 145, 148
CPC ... A45D 8/20; A45D 8/24; A45D 8/30; A45D
8/32; A45D 8/34; A45D 8/00
See application file for complete search history.

8,087,416 B2 *	1/2012	Defenbaugh	A45D 8/20
				132/200
8,109,279 B2 *	2/2012	Chudzik	A45D 8/20
				132/277
D669,217 S *	10/2012	Hsu	D28/39
D712,093 S *	8/2014	Hsu	D28/40
D737,510 S *	8/2015	Wright	D28/40
D771,870 S *	11/2016	Tsai	D28/42
D774,695 S *	12/2016	Coral	D28/40
D775,421 S *	12/2016	Tsai	D28/42
2009/0272398 A1 *	11/2009	Chudzik	A45D 8/20
				132/277

* cited by examiner

Primary Examiner — Susan Bennett Hattan
Assistant Examiner — Rebecca Tsehaye

(57) **CLAIM**

The ornamental design for a hair clip, as shown and described.

(56) **References Cited**

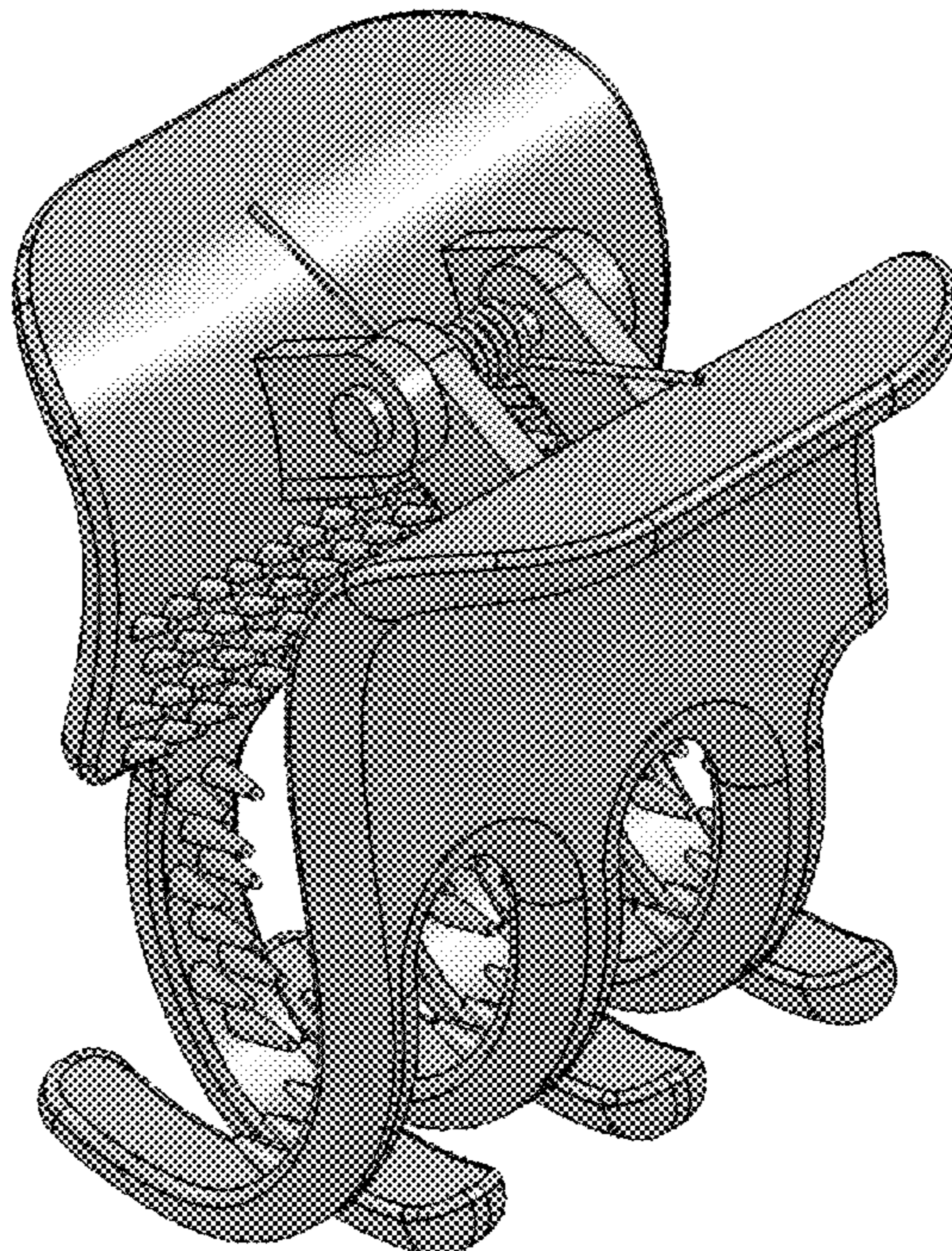
U.S. PATENT DOCUMENTS

D485,644 S *	1/2004	Winn	D28/40
D501,276 S *	1/2005	LaFauci	D28/40
D536,132 S *	1/2007	Vergona	D28/40
D541,983 S *	5/2007	Au	D28/40
7,299,808 B2 *	11/2007	Lau	A45D 8/20
				132/277
7,493,903 B2 *	2/2009	Rogers	A45D 8/22
				132/277
D635,298 S *	3/2011	Hsu	D28/40
D642,738 S *	8/2011	Hsu	D28/40

DESCRIPTION

FIG. 1 is a perspective view of a hair clip showing my new design thereof;
FIG. 2 is a front elevational view thereof;
FIG. 3 is a rear elevational view thereof;
FIG. 4 is a left side elevational view thereof;
FIG. 5 is a right side elevational view thereof;
FIG. 6 is a top plan view thereof; and,
FIG. 7 is a bottom plan view thereof.

1 Claim, 7 Drawing Sheets



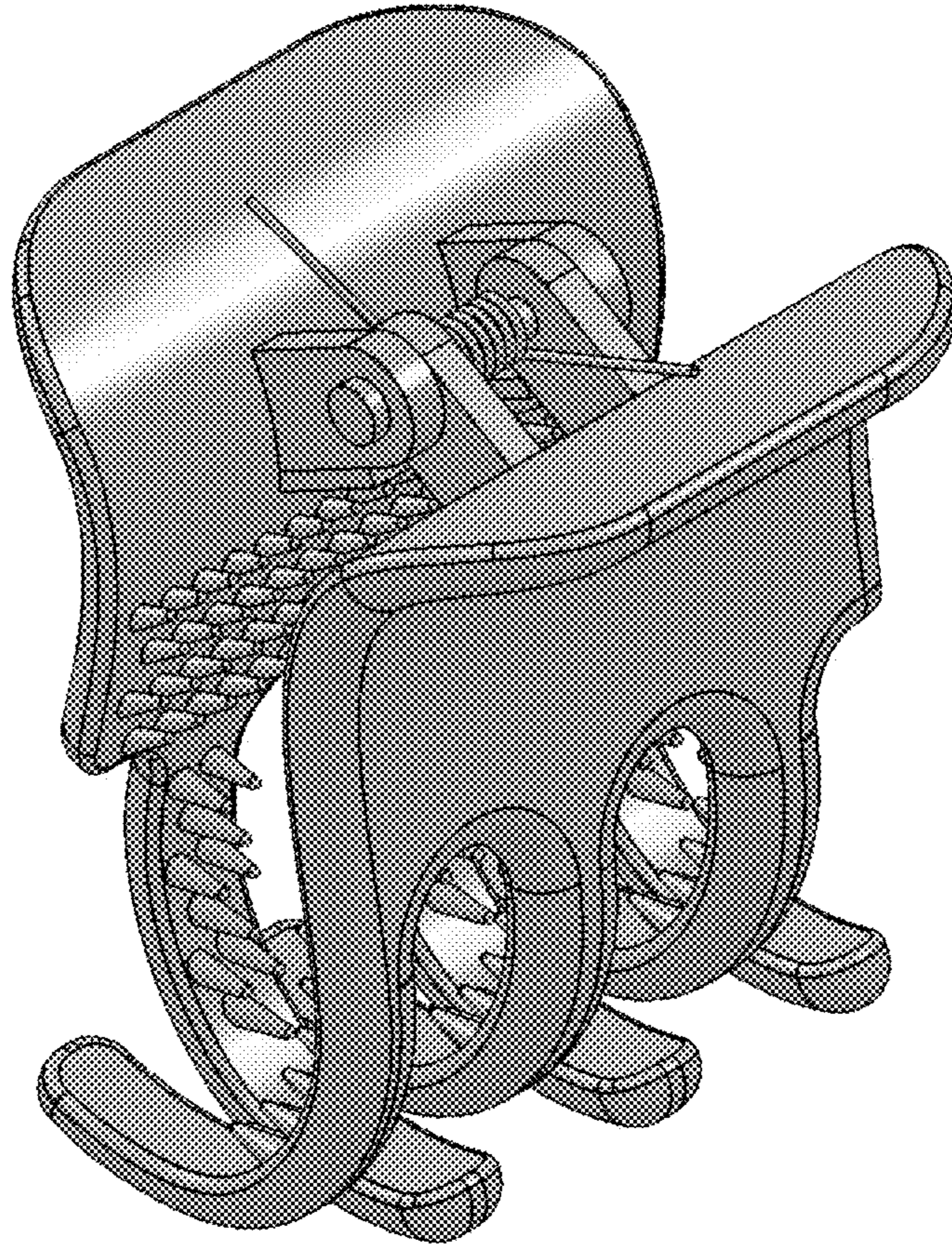


FIG. 1

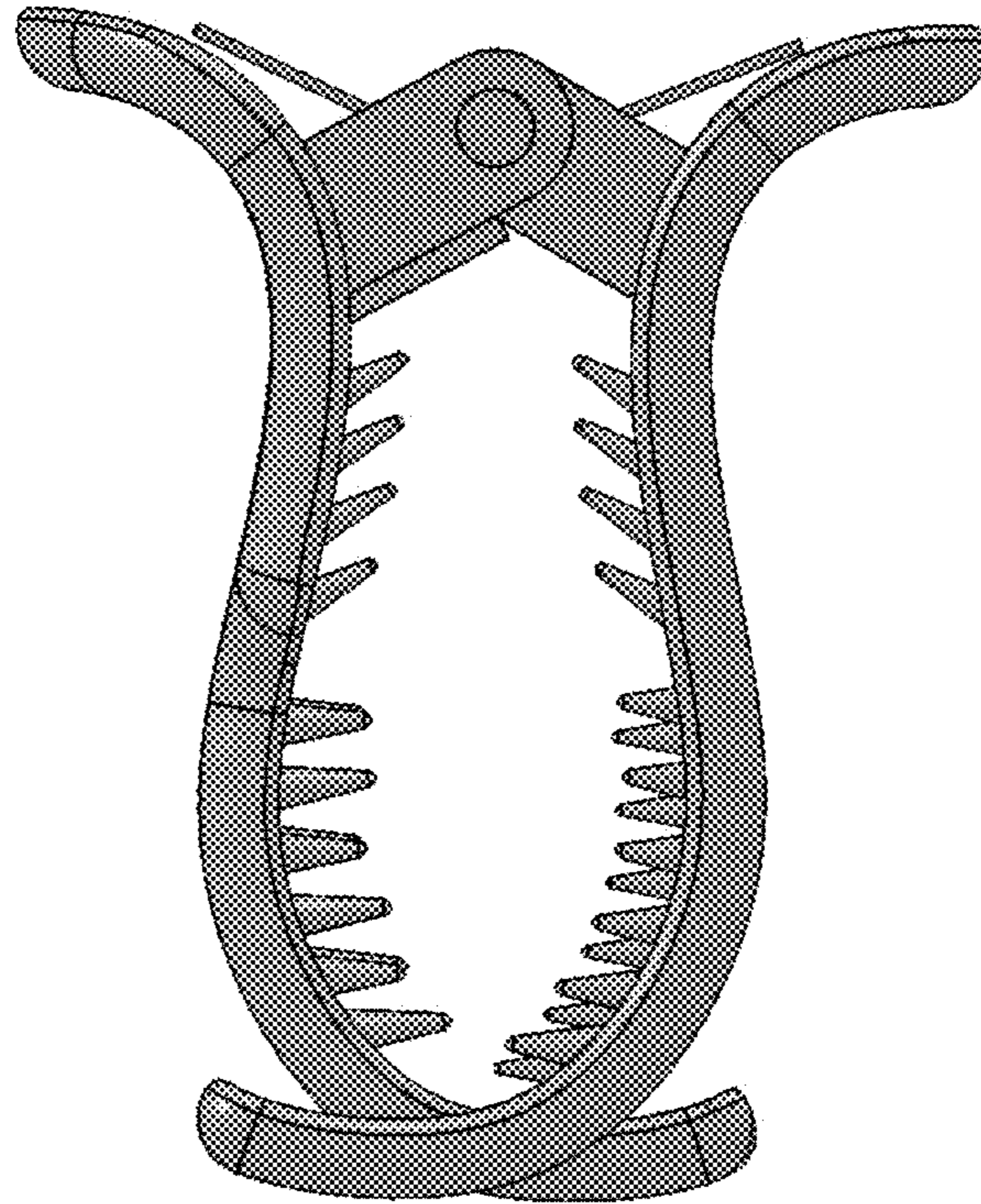


FIG. 2

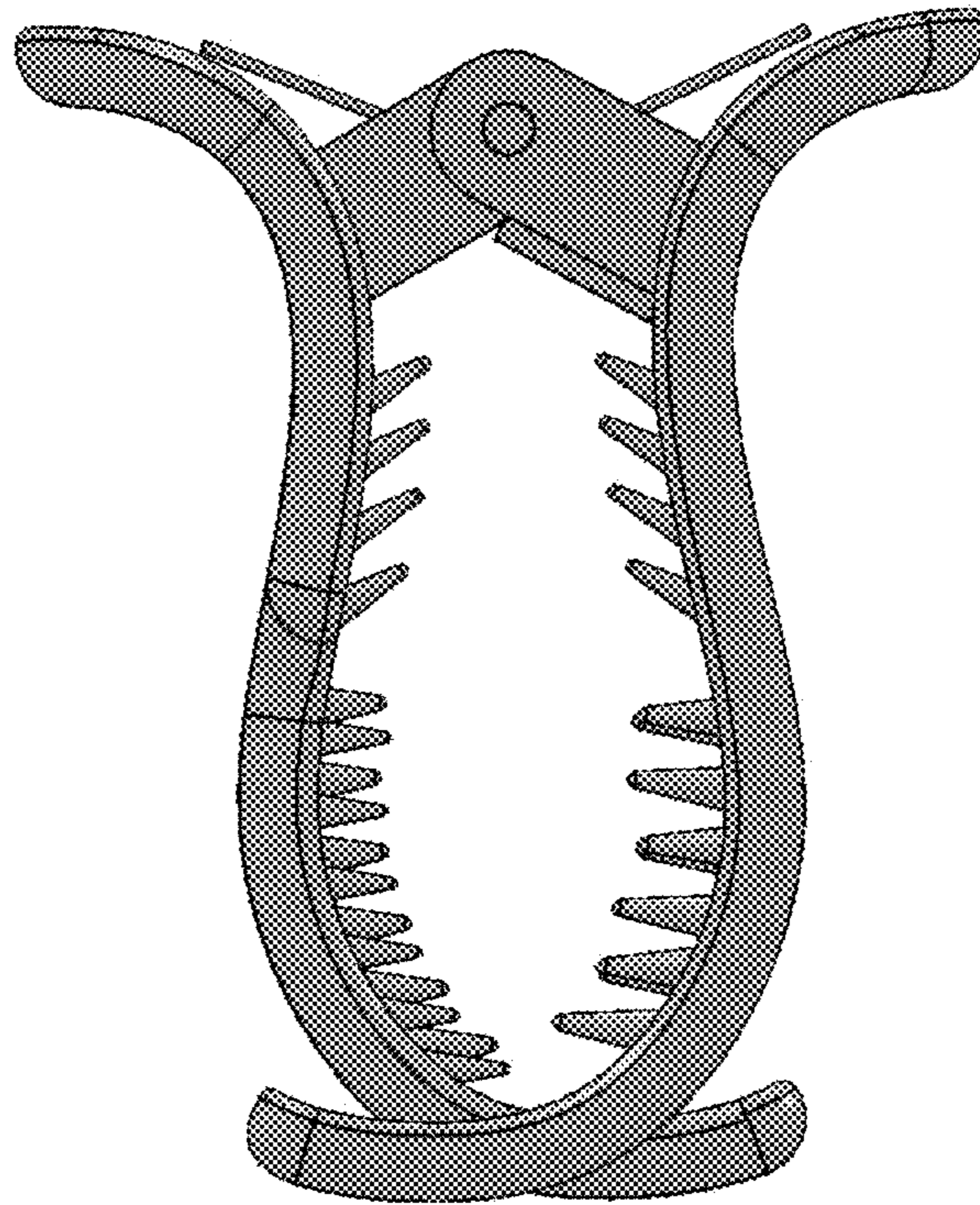


FIG. 3

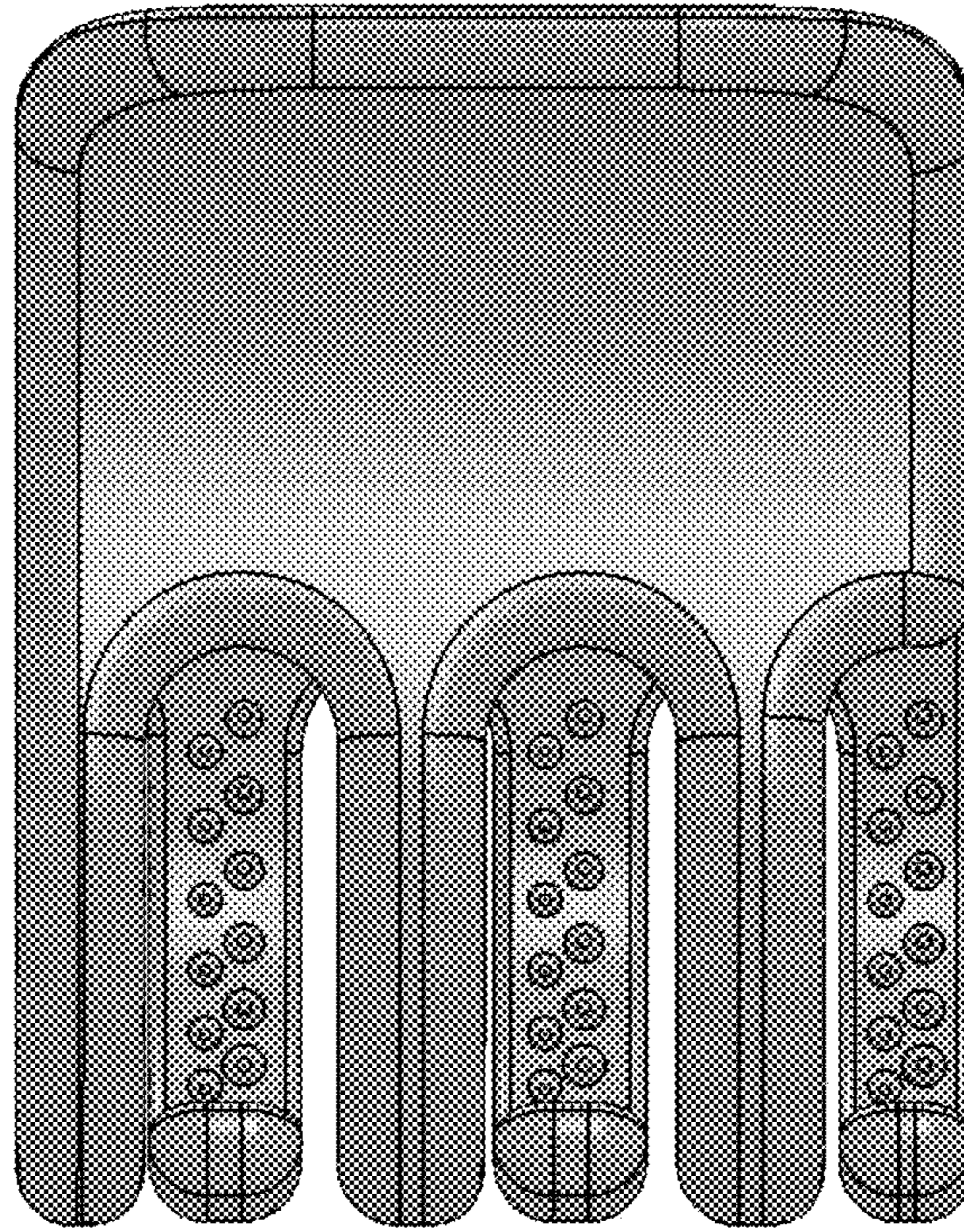


FIG. 4

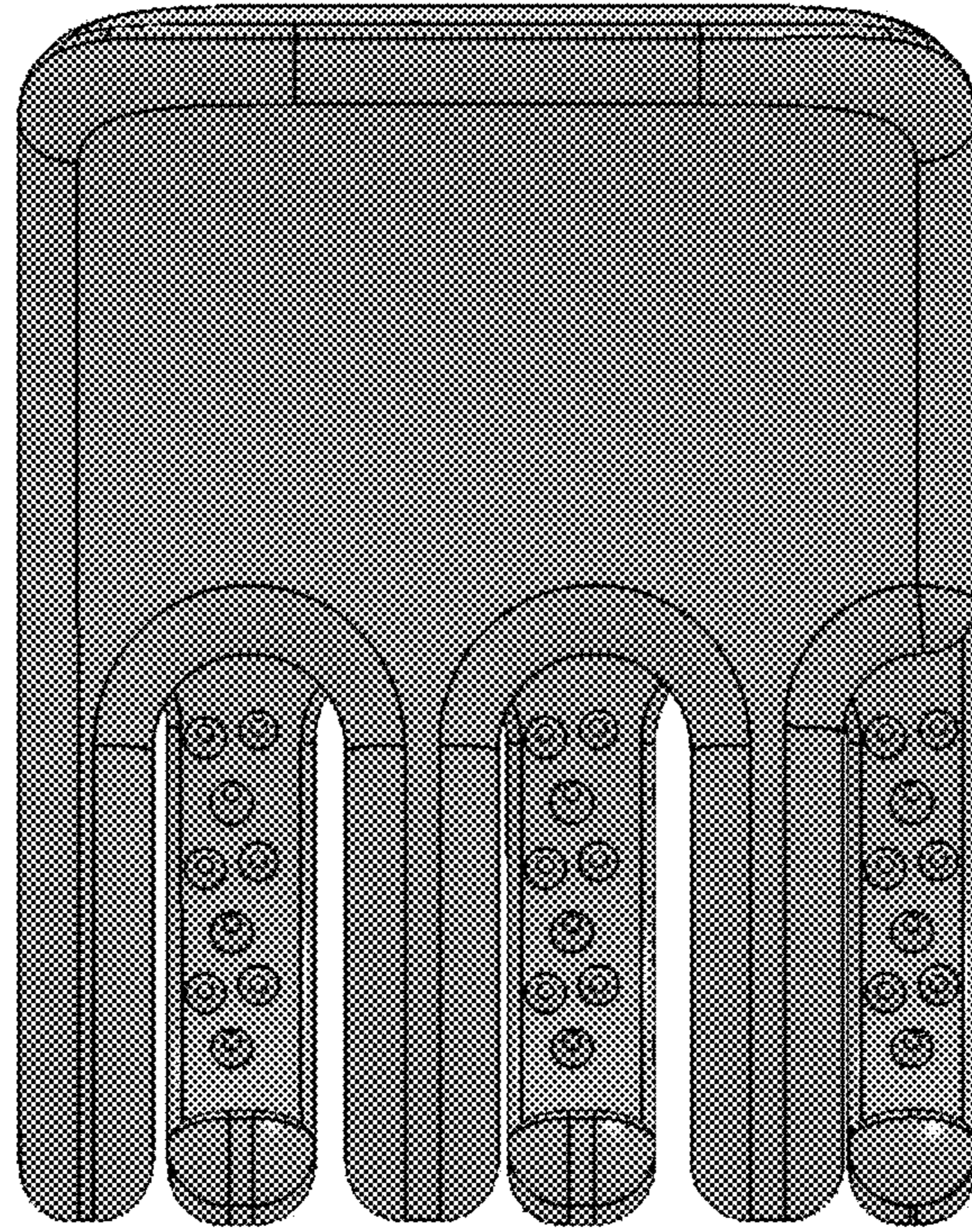


FIG. 5

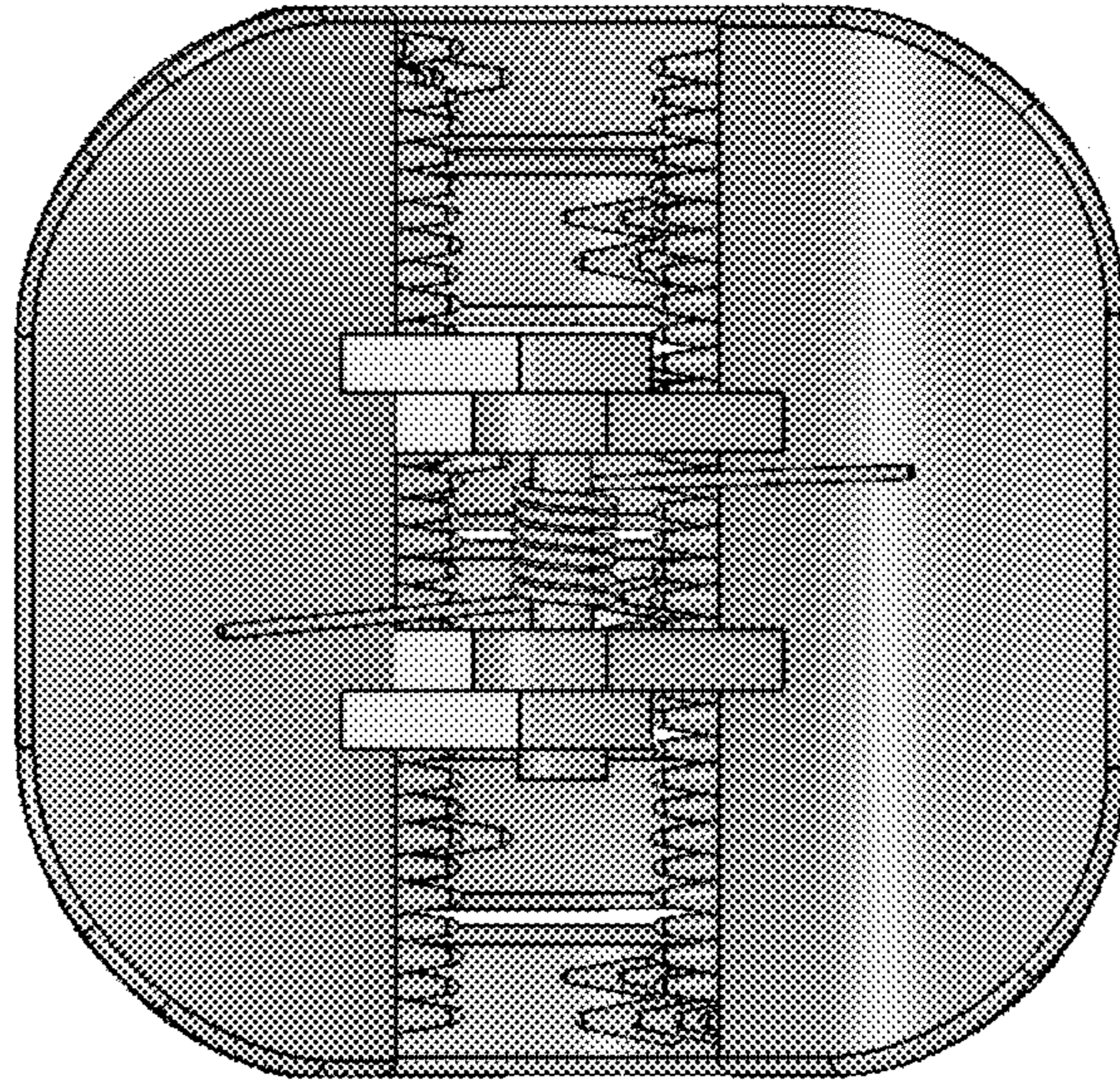


FIG. 6

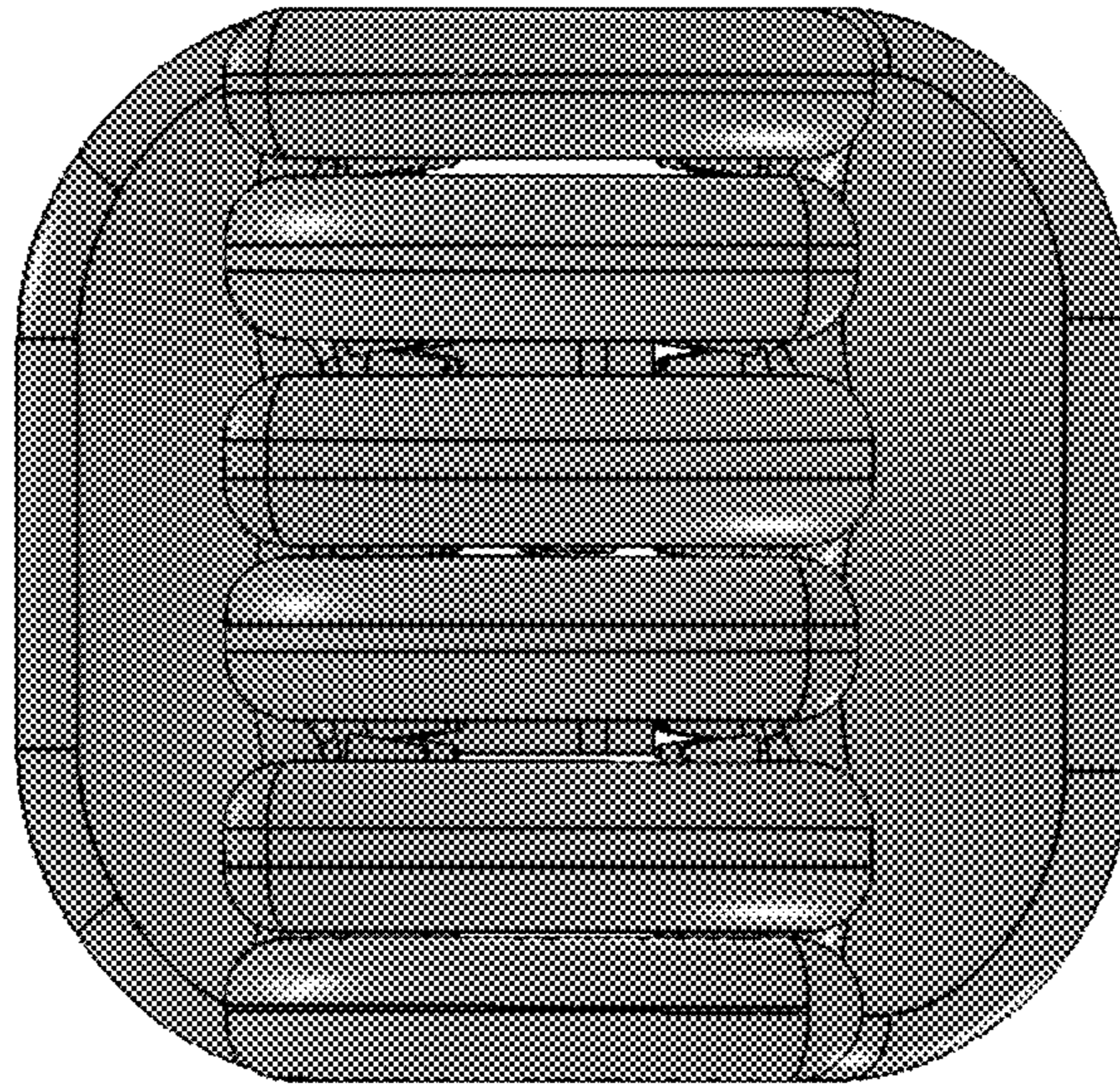


FIG. 7