



US00D829989S

(12) **United States Design Patent** (10) **Patent No.:** **US D829,989 S**  
**Feng** (45) **Date of Patent:** **\*\* Oct. 2, 2018**

(54) **HAIRDRESSING APPARATUS**  
(71) Applicant: **Shenzhen Lady Merry Technology Co., Ltd., Shenzhen (CN)**  
(72) Inventor: **Ye Feng, Shenzhen (CN)**  
(73) Assignee: **Shenzhen Lady Merry Technology Co., Ltd., Shenzhen (CN)**

D618,395 S \* 6/2010 Mau ..... D28/35  
D620,195 S \* 7/2010 Overend ..... D28/35  
D627,514 S \* 11/2010 Kim ..... D28/35  
D627,925 S \* 11/2010 Nenadich ..... D28/35  
D629,156 S \* 12/2010 Kim ..... D28/35  
D632,428 S \* 2/2011 Kim ..... D28/35  
D632,429 S \* 2/2011 Kim ..... D28/35  
D645,614 S \* 9/2011 Kim ..... D28/35

(Continued)

(\*\*) Term: **15 Years**  
(21) Appl. No.: **29/578,438**  
(22) Filed: **Sep. 21, 2016**  
(51) **LOC (11) Cl.** ..... **28-03**  
(52) **U.S. Cl.**  
USPC ..... **D28/35**  
(58) **Field of Classification Search**  
USPC ..... D28/10, 33, 35-38, 55-57, 60-61;  
132/221, 224-225, 245, 255, 211, 269,  
132/169, 222-223; 219/255, 222  
CPC ... A45D 1/00; A45D 1/02; A45D 1/04; A45D  
1/08; A45D 1/10; A45D 1/12; A45D  
1/14; A45D 1/16; A45D 2/001  
See application file for complete search history.

**FOREIGN PATENT DOCUMENTS**

CN 303380337 \* 9/2015

*Primary Examiner* — Lakiya G Rogers

*Assistant Examiner* — Altaira J Swangin

(74) *Attorney, Agent, or Firm* — Schmeiser, Olsen & Watts, LLP

(57) **CLAIM**

The ornamental design for a hairdressing apparatus, as shown and described.

**DESCRIPTION**

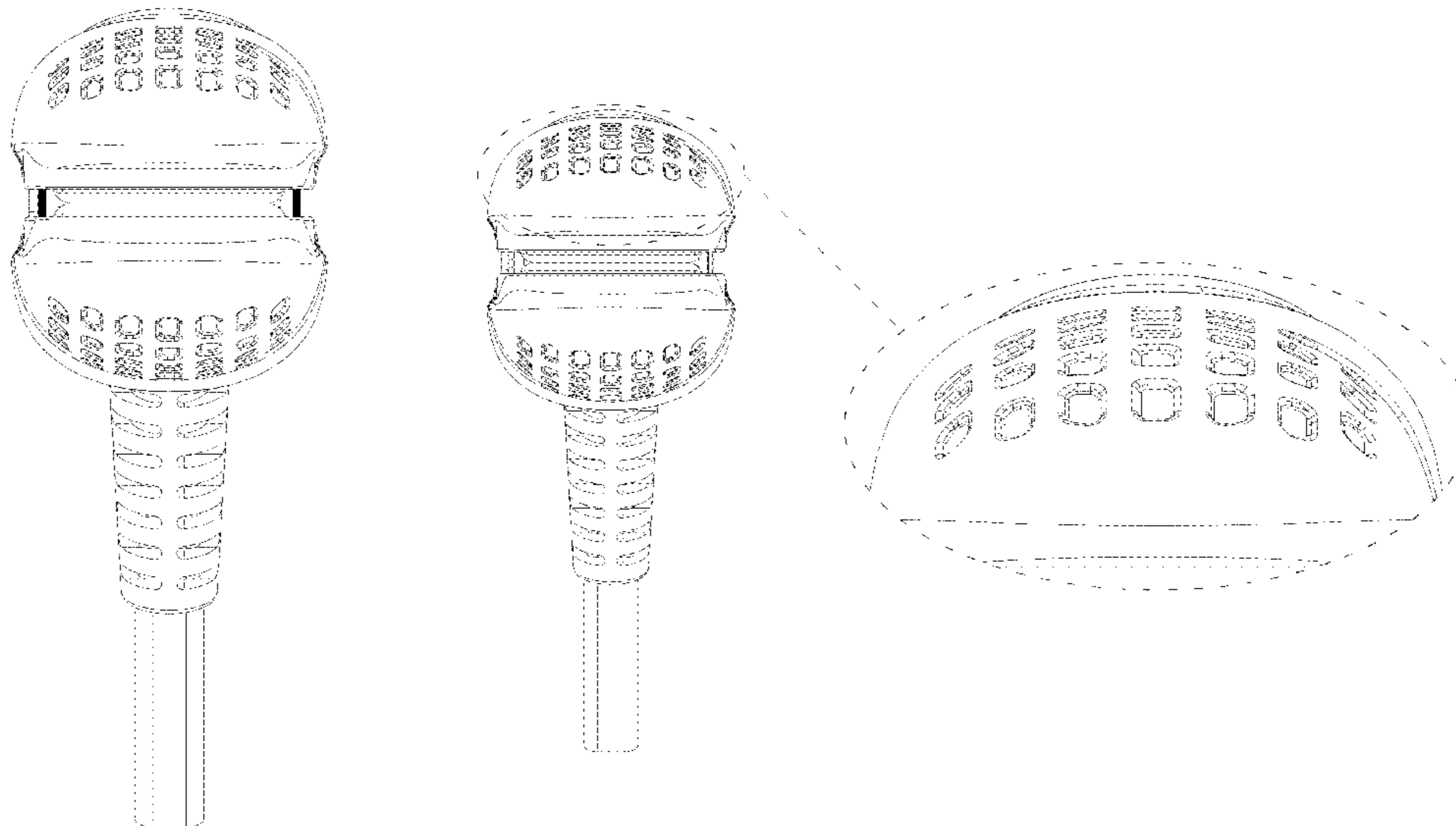
FIG. 1A is a Front elevational view of a hairdressing apparatus showing my new design; FIG. 1B is a zoomed in view of FIG. 1A; FIG. 1C is a zoomed in view of FIG. 1A; FIG. 2 is a Rear elevational view thereof; FIG. 3 is a Left side view thereof; FIG. 4 is a Right side view thereof; FIG. 5 is a Top plan view thereof; FIG. 6 is a Bottom plan view thereof; and, FIG. 7 is a Perspective view thereof. The short-dash broken lines, shown in FIGS. 3-4 and 7, represent portions of the hairdressing apparatus that form no part of the claimed design. The long-dashed broken lines in FIGS. 1B-1C, used to show an encircled area of FIG. 1A, are for the purpose of annotation to show enlarged views and form no part of the claimed design.

**1 Claim, 9 Drawing Sheets**

(56) **References Cited**

**U.S. PATENT DOCUMENTS**

D485,011 S \* 1/2004 Nam ..... D28/35  
D544,646 S \* 6/2007 Overend ..... D28/35  
D559,447 S \* 1/2008 Leung ..... D28/35  
D570,044 S \* 5/2008 Leung ..... D28/35  
D575,453 S \* 8/2008 Overend ..... D28/35  
D581,592 S \* 11/2008 Hein ..... D28/35  
D586,038 S \* 2/2009 Kim ..... D28/35  
D596,801 S \* 7/2009 Keong ..... D28/35  
D598,163 S \* 8/2009 Overend ..... D28/35  
D598,164 S \* 8/2009 Overend ..... D28/35  
D609,400 S \* 2/2010 Yang ..... D28/35  
D609,402 S \* 2/2010 Cheung ..... D28/35



(56)

References Cited

U.S. PATENT DOCUMENTS

8,013,275 B2 *	9/2011	Ng	.....	B26B 19/46	132/224	2009/0044823 A1 *	2/2009	Overend	.....	A45D 1/28
D650,129 S *	12/2011	Hein	.....	D28/35		2009/0084396 A1 *	4/2009	Jerome	.....	A45D 1/04
D650,130 S *	12/2011	Hein	.....	D28/35		2009/0114240 A1 *	5/2009	Leung	.....	A45D 1/06
D650,941 S *	12/2011	Sidebotham	.....	D28/35		2009/0260650 A1 *	10/2009	Jung	.....	A45D 1/04
D672,087 S *	12/2012	Julemont	.....	D28/35		2010/0078038 A1 *	4/2010	Shami	.....	A45D 1/08
D672,088 S *	12/2012	Julemont	.....	D28/35		2010/0089413 A1 *	4/2010	Wright	.....	A45D 2/001
8,567,415 B2 *	10/2013	Morgandi	.....	A45D 1/28	132/211	2011/0247647 A1 *	10/2011	Kim	.....	A45D 1/04
D710,615 S *	8/2014	Pereira	.....	D4/104		2012/0055501 A1 *	3/2012	Seng	.....	A45D 1/28
D716,497 S *	10/2014	Renault	.....	D28/35		2012/0055502 A1 *	3/2012	Wright	.....	A45D 1/04
8,875,717 B2 *	11/2014	Murzynski	.....	A45D 1/00	132/163	2012/0097182 A1 *	4/2012	Wright	.....	A45D 1/04
D719,296 S *	12/2014	Brady	.....	D28/35		2012/0291797 A1 *	11/2012	deGrood	.....	A45D 1/28
D719,356 S *	12/2014	Blanchard	.....	D4/104		2014/0238432 A1 *	8/2014	Deng	.....	A45D 2/001
D726,964 S *	4/2015	Smith	.....	D28/35		2015/0144610 A1 *	5/2015	Cho	.....	A45D 1/28
D780,374 S *	2/2017	Yu	.....	D28/35		2016/0271646 A1 *	9/2016	deGrood	.....	A45D 1/06
D816,901 S *	5/2018	Di Marco	.....	D28/35		2016/0286927 A1 *	10/2016	Winkler	.....	A45D 1/02
D816,902 S *	5/2018	Delassus	.....	D28/35						
2006/0196523 A1 *	9/2006	Choi	.....	A45D 1/04	132/224					
2008/0041408 A1 *	2/2008	Shepherd	.....	A45D 1/04	132/224					
2008/0223394 A1 *	9/2008	Maddocks	.....	A45D 1/06	132/232					

\* cited by examiner

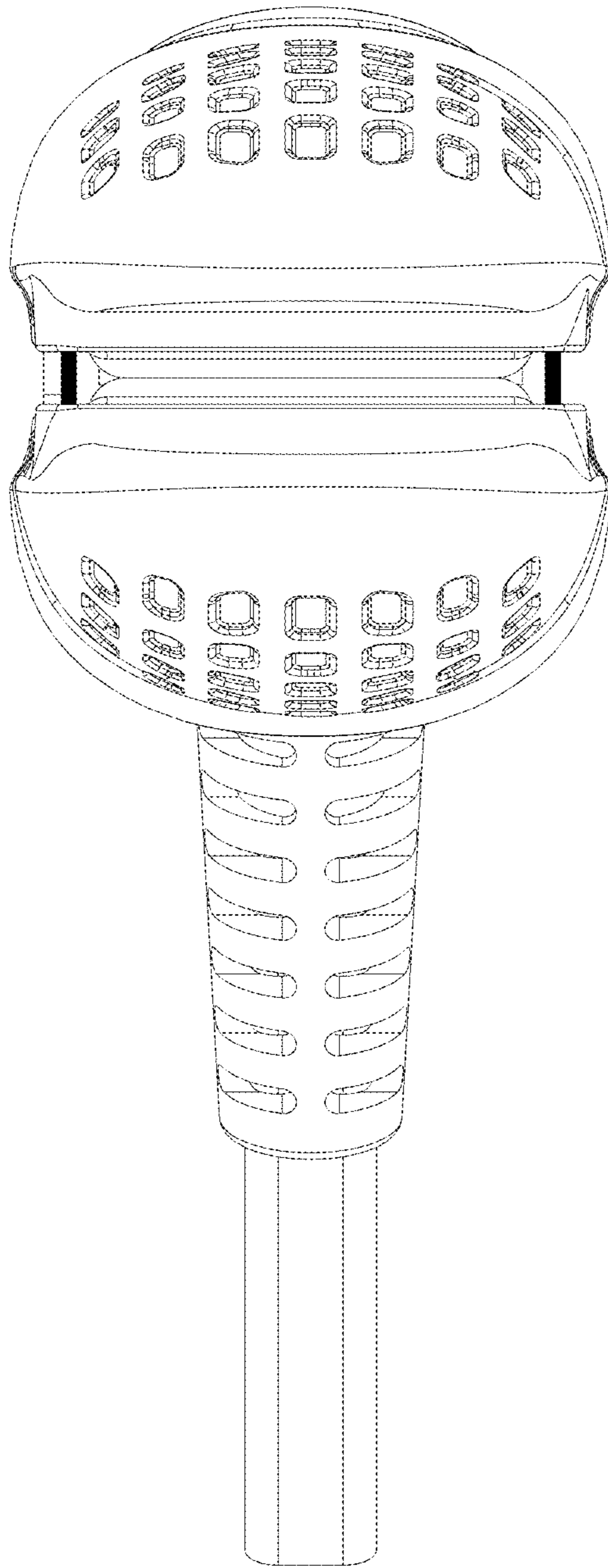


FIG. 1A

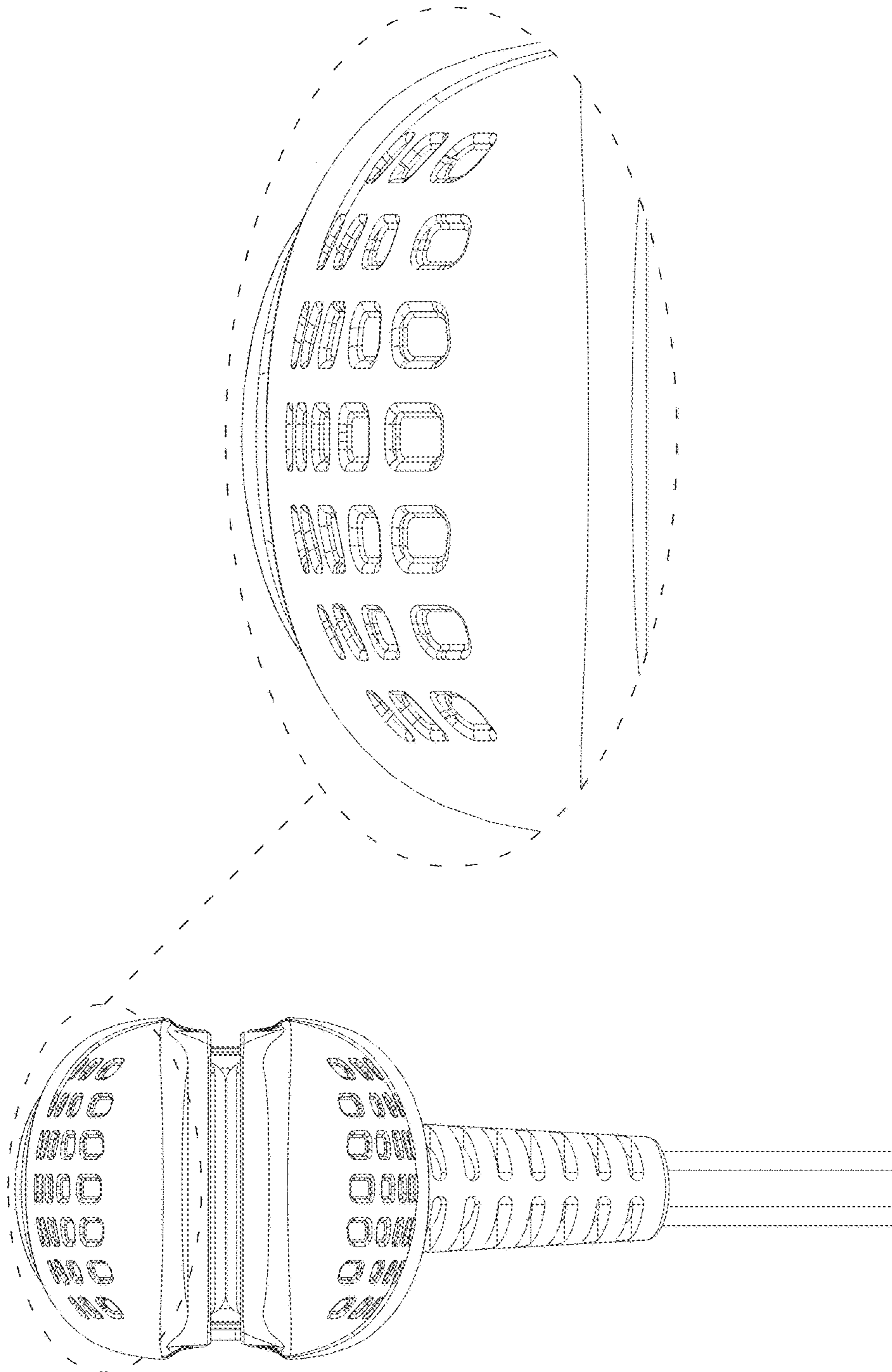


FIG. 1B

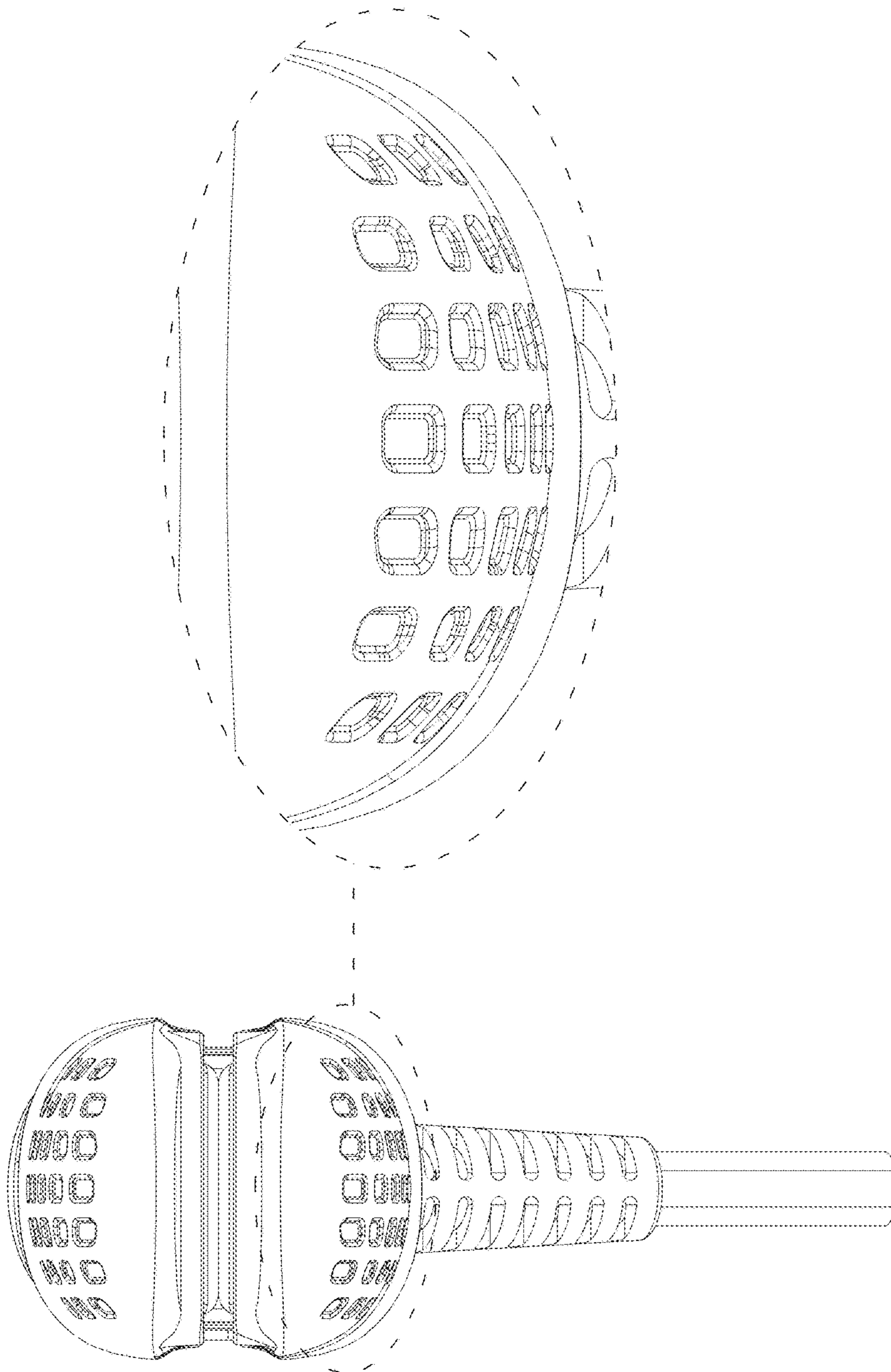


FIG. 1C

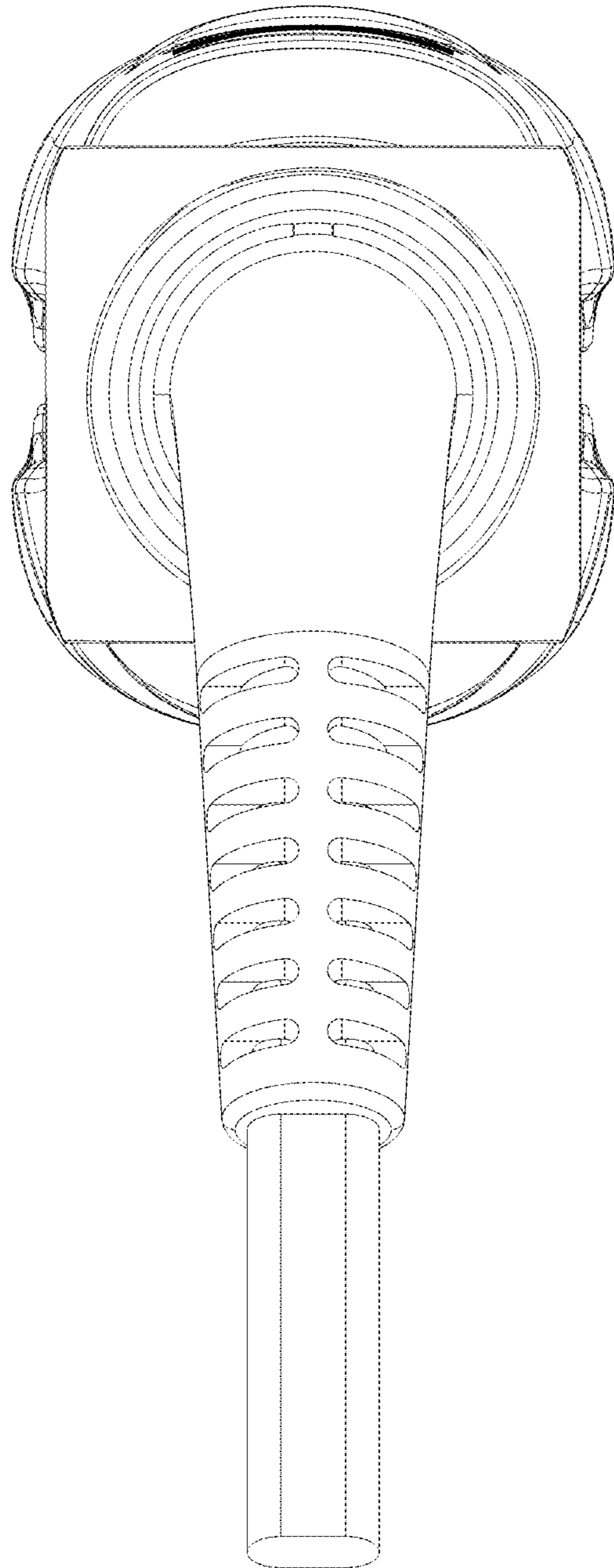


FIG. 2

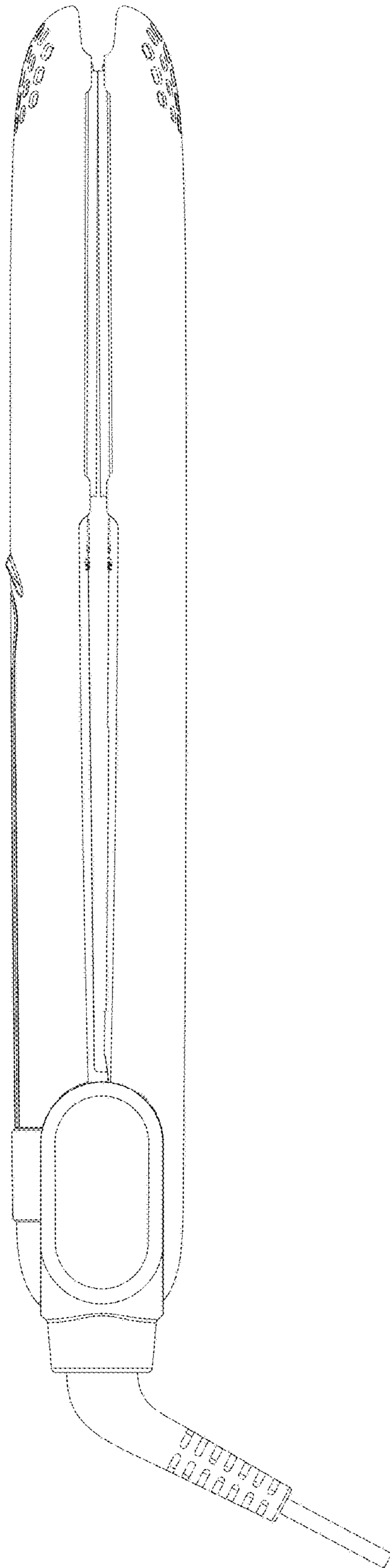


FIG. 3

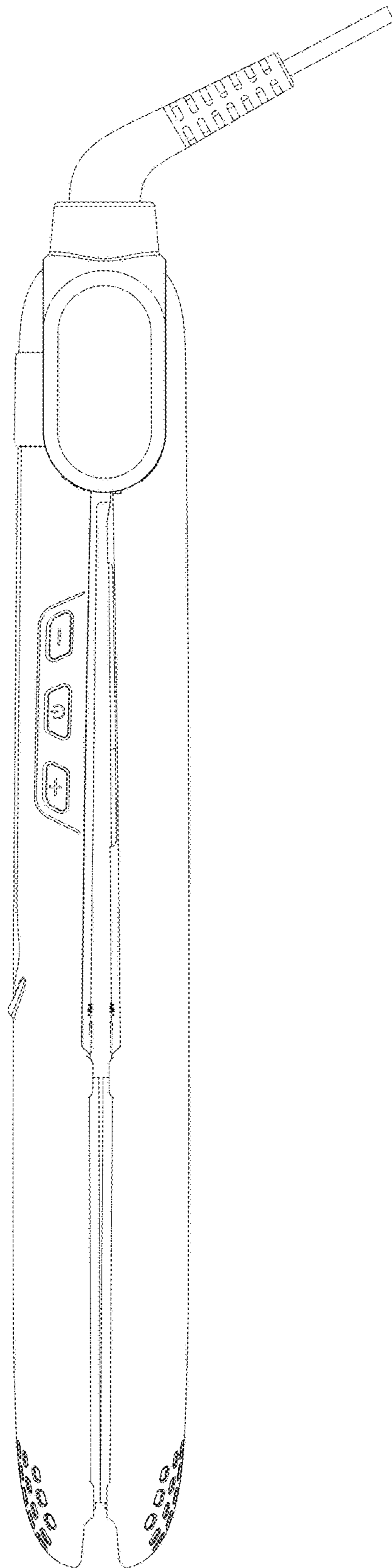


FIG. 4



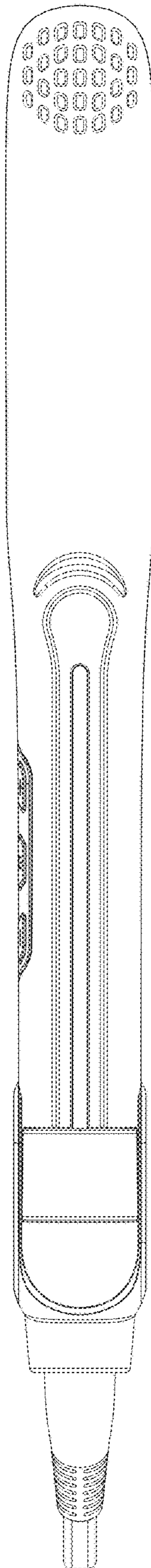


FIG. 5

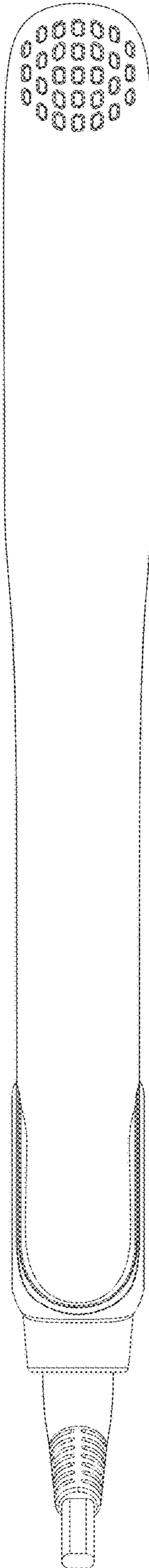


FIG. 6

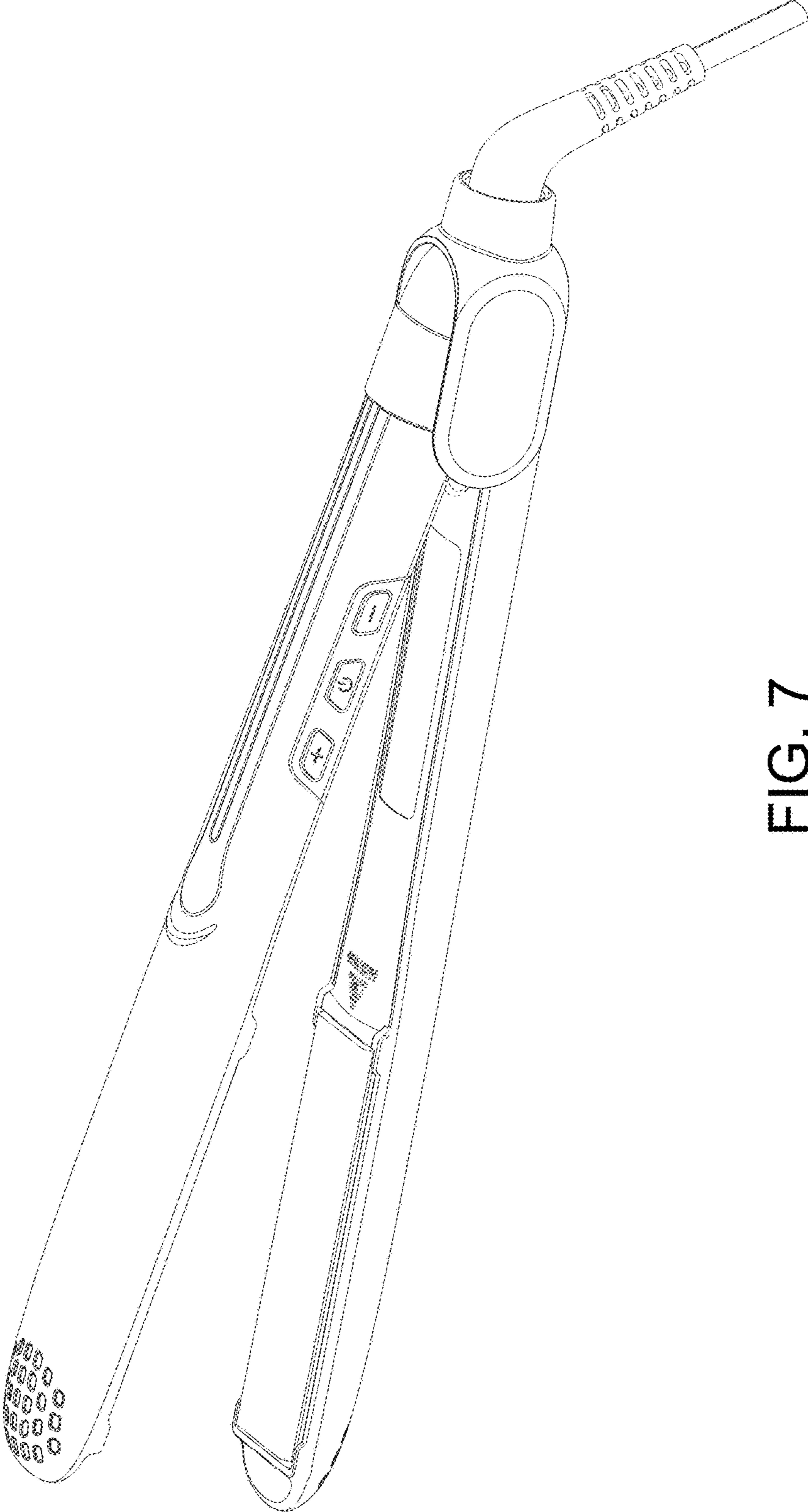


FIG. 7