



US00D829983S

(12) **United States Design Patent**
Wang

(10) **Patent No.:** **US D829,983 S**

(45) **Date of Patent:** **** Oct. 2, 2018**

(54) **CHARGING DEVICE FOR ELECTRONIC CIGARETTE**

(71) Applicant: **SHENZHEN SMOORE TECHNOLOGY LIMITED**, Shenzhen (CN)

(72) Inventor: **Jianliang Wang**, Shenzhen (CN)

(73) Assignee: **SHENZHEN SMOORE TECHNOLOGY LIMITED**, Shenzhen, Guangdong (CN)

(**) Term: **15 Years**

(21) Appl. No.: **29/628,894**

(22) Filed: **Dec. 8, 2017**

(30) **Foreign Application Priority Data**

Jun. 9, 2017 (CN) 2017 3 0234502

(51) **LOC (11) Cl.** **27-02**

(52) **U.S. Cl.**
USPC **D27/167**

(58) **Field of Classification Search**
USPC D27/100, 101, 162, 163-194;
D19/115-123, 161-169; D24/110;
D23/366; D13/108
CPC A24F 47/008; A24F 47/002; A24F 7/02;
A61M 15/06
See application file for complete search history.

(56) **References Cited**

U.S. PATENT DOCUMENTS

D368,552 S *	4/1996	Adams	D27/194
D422,113 S *	3/2000	Higgins	D27/186
D424,236 S *	5/2000	Reed	D27/163
D433,532 S *	11/2000	Higgins	D27/186
D577,150 S *	9/2008	Bryman	D27/163
D578,960 S *	10/2008	Fisher	D13/108
D629,154 S *	12/2010	Sung	D27/154

D649,708 S *	11/2011	Oneil	D27/163
D700,397 S *	2/2014	Manca	D27/189
D700,738 S *	3/2014	Rennick	D27/189
D713,786 S *	9/2014	Wen	D13/103
D722,961 S *	2/2015	Lin	D13/103
D728,855 S *	5/2015	Liu	D27/163
D729,444 S *	5/2015	Leidel	D27/163
D729,445 S *	5/2015	Leidel	D27/163
D730,572 S *	5/2015	Leidel	D27/163
D731,114 S *	6/2015	Leidel	D27/163
D740,223 S *	10/2015	Yoneta	D13/108

(Continued)

OTHER PUBLICATIONS

Mini Tank Oil Vaporizer Kit by Rokin Vapes. dated 2017. found online [Jul. 16, 2018] <https://www.rokinvapes.com/product/mini-tank-oil-vaporizer-kit/>.*

Primary Examiner — Brandon M Rosati

Assistant Examiner — Marissa J Cash

(74) *Attorney, Agent, or Firm* — Ladas & Parry LLP

(57) **CLAIM**

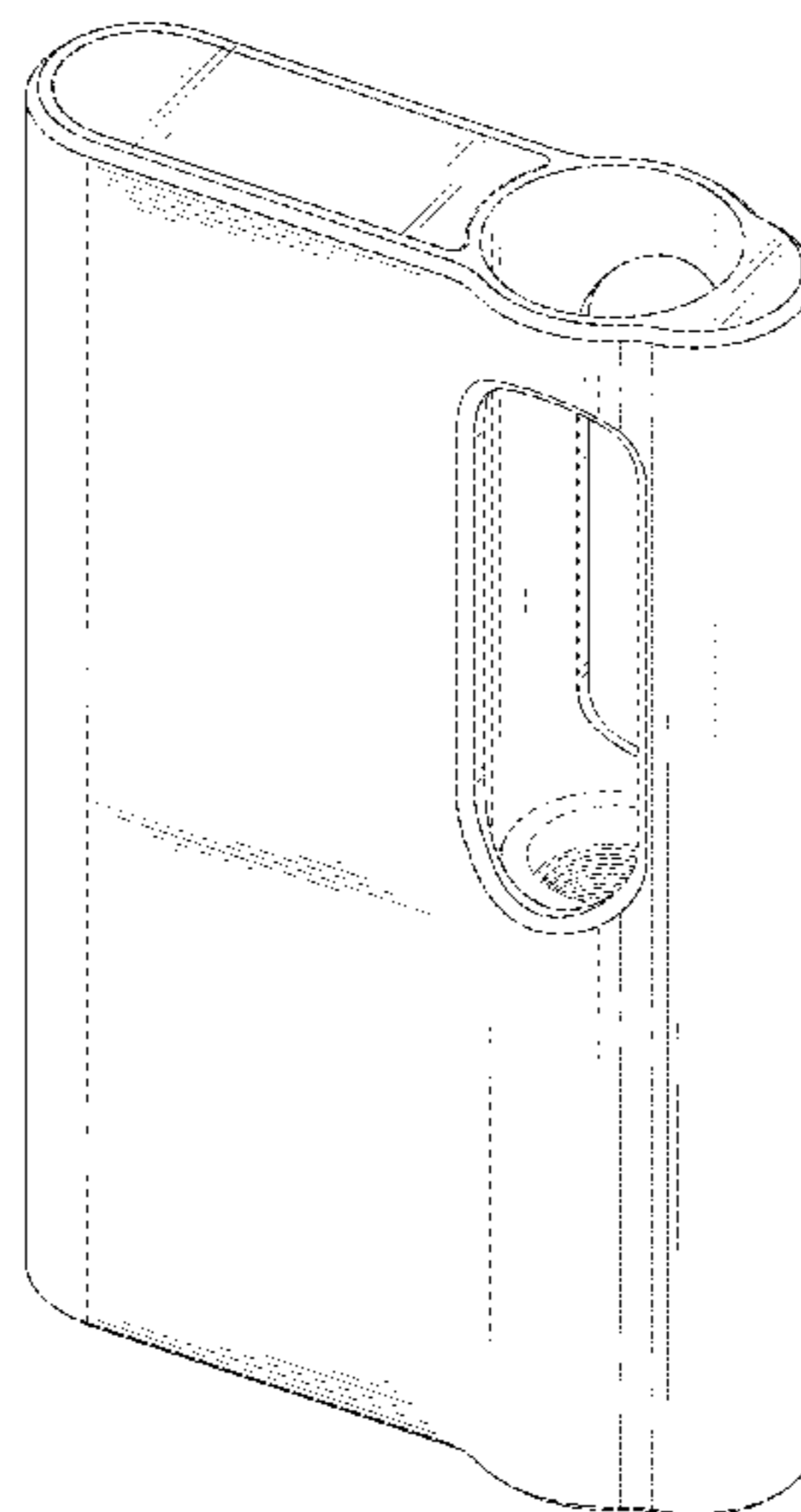
The ornamental design for a charging device for electronic cigarette, as shown and described.

DESCRIPTION

FIG. 1 is a front elevational view of a charging device for electronic cigarette showing my new design; FIG. 2 is a rear elevational view thereof; FIG. 3 is a left side elevational view thereof; FIG. 4 is a right side elevational view thereof; FIG. 5 is a top plan view thereof; and FIG. 6 is a bottom plan view thereof. FIG. 7 is a front, left, top perspective view thereof; and, FIG. 8 is rear, right, bottom perspective view thereof.

The broken lines in the figures are included for the purpose of illustrating portions of a charging device for electronic cigarette which form no part of the claimed design.

1 Claim, 8 Drawing Sheets



(56)

References Cited

U.S. PATENT DOCUMENTS

D743,099 S *	11/2015	Oglesby	D27/101	D807,286 S *	1/2018	Qiu	D13/103
D743,333 S *	11/2015	Nomi	D13/108	D807,576 S *	1/2018	Liu	D27/163
D748,325 S *	1/2016	Leidel	D27/163	D807,577 S *	1/2018	Ward	D27/167
D753,336 S *	4/2016	Chen	D27/101	D808,073 S *	1/2018	Leidel	D27/162
D756,915 S *	5/2016	Yang	D13/108	D809,191 S *	1/2018	Li	D27/101
D758,004 S *	5/2016	Freshwater	D27/163	D809,192 S *	1/2018	Liu	D27/163
D758,655 S *	6/2016	Freshwater	D27/163	9,888,715 B2 *	2/2018	Li	A24F 15/20
D758,656 S *	6/2016	Freshwater	D27/163	D812,000 S *	3/2018	Li	D13/108
D761,999 S *	7/2016	Liu	D27/101	D812,289 S *	3/2018	Ward	D27/172
D762,170 S *	7/2016	Lei	D13/108	D812,290 S *	3/2018	Ward	D27/172
D763,188 S *	8/2016	Park	D13/108	D814,693 S *	4/2018	Qiu	D27/101
D763,791 S *	8/2016	Park	D13/108	D815,036 S *	4/2018	Martorell	D13/108
D763,792 S *	8/2016	Park	D13/108	D815,347 S *	4/2018	Jones	D27/194
D768,331 S *	10/2016	Chen	D27/101	D817,269 S *	5/2018	Sukphist	D13/108
D769,520 S *	10/2016	Hua	D27/167	9,968,136 B1 *	5/2018	Bell	A24F 47/008
D770,678 S *	11/2016	Shin	D27/163	D819,880 S *	6/2018	Qiu	D27/101
D770,680 S *	11/2016	Bennett	D27/189	D819,882 S *	6/2018	Qiu	D27/101
D771,867 S *	11/2016	Leidel	D27/163	D821,639 S *	6/2018	Dai	D27/162
D772,477 S *	11/2016	Shin	D27/163	D821,640 S *	6/2018	Qiu	D27/162
D773,114 S *	11/2016	Leidel	D27/163	2012/0255546 A1 *	10/2012	Goetz	A61M 11/041 128/202.21
D773,116 S *	11/2016	Liu	D27/167	2016/0096658 A1 *	4/2016	Fath	B65B 5/024 206/273
D775,414 S *	12/2016	Ampolini	D13/108	2017/0101256 A1 *	4/2017	Zeitlin	A24F 15/20
D775,762 S *	1/2017	Chen	D27/101	2017/0208862 A1 *	7/2017	Li	A24F 15/20
D779,726 S *	2/2017	Bennett	D27/189	2017/0208863 A1 *	7/2017	Davis	A24F 47/008
D780,373 S *	2/2017	Bennett	D27/186	2017/0208864 A1 *	7/2017	Anderson, Jr.	A61M 15/06
D786,790 S *	5/2017	Miller	D13/108	2017/0290371 A1 *	10/2017	Davis	A24F 47/008
D788,364 S *	5/2017	Chen	D27/163	2017/0367406 A1 *	12/2017	Schuler	A24F 47/008
D789,598 S *	6/2017	Chen	D27/163	2018/0007967 A1 *	1/2018	Davis	A24F 47/008
D790,766 S *	6/2017	Li	D27/163	2018/0013175 A1 *	1/2018	Liu	H01M 2/1055
D792,020 S *	7/2017	Mendoza	D27/101	2018/0035715 A1 *	2/2018	Wu	H05B 1/0297
D792,021 S *	7/2017	Beer	D27/101	2018/0055091 A1 *	3/2018	Trzeciecki	A24F 47/008
D792,642 S *	7/2017	Mendoza	D27/101	2018/0070638 A1 *	3/2018	Qiu	A24F 47/008
D793,958 S *	8/2017	Rautiainen	D13/108	2018/0084828 A1 *	3/2018	Phillips	A61M 15/0021
D799,111 S *	10/2017	Qiu	D27/101	2018/0084836 A1 *	3/2018	Perez	A24F 47/008
D799,746 S *	10/2017	Leidel	D27/163	2018/0132526 A1 *	5/2018	Davis	A24F 47/008
D800,377 S *	10/2017	Liu	D27/101	2018/0153219 A1 *	6/2018	Verleur	A24F 47/008
D801,507 S *	10/2017	Kelnhofer	D23/366	2018/0160739 A1 *	6/2018	Chen	A24F 47/008
D802,834 S *	11/2017	Mathias	D27/163	2018/0166238 A1 *	6/2018	Chen	H01H 36/02
D806,311 S *	12/2017	Smith	D27/162				

* cited by examiner

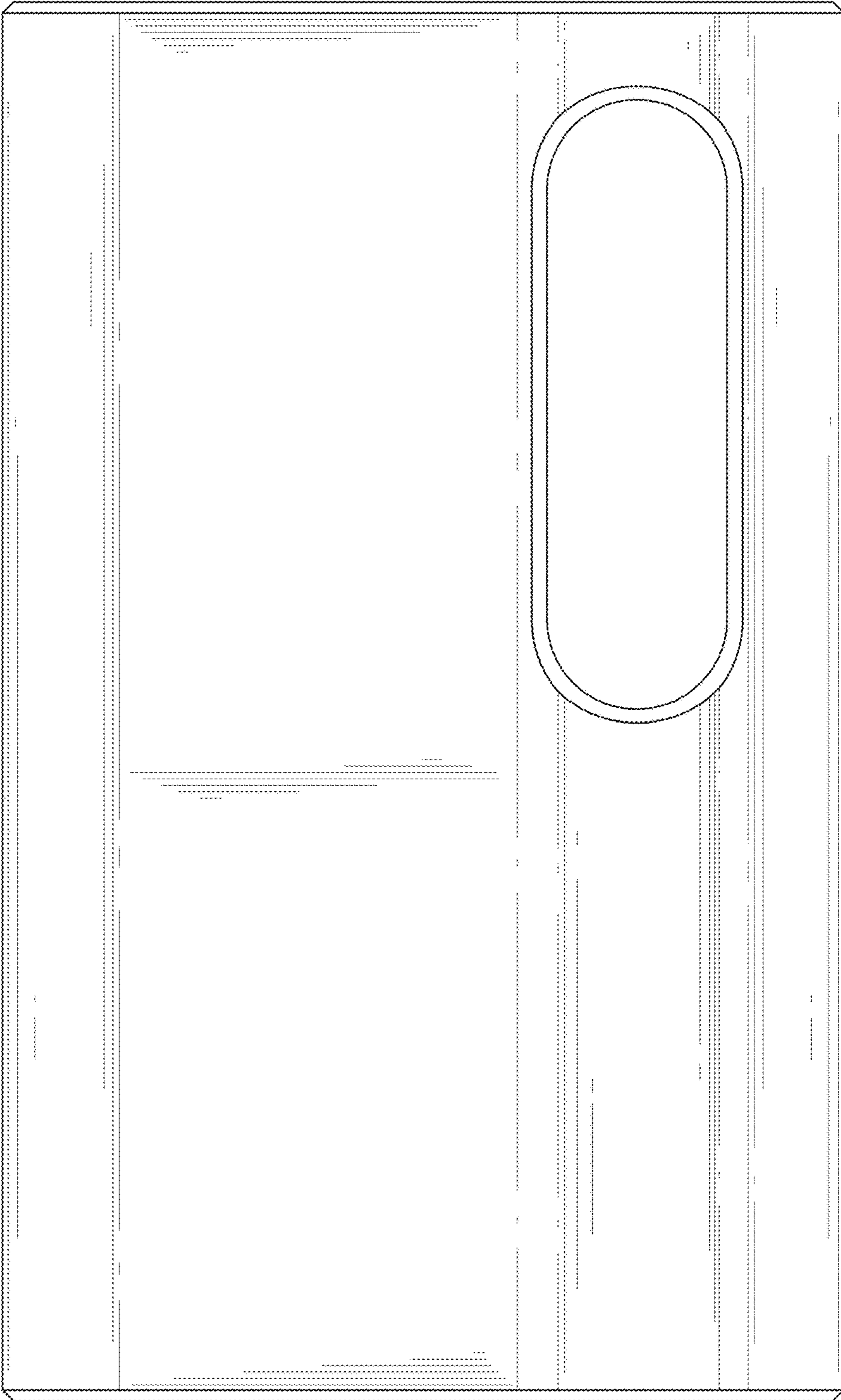


FIG. 1

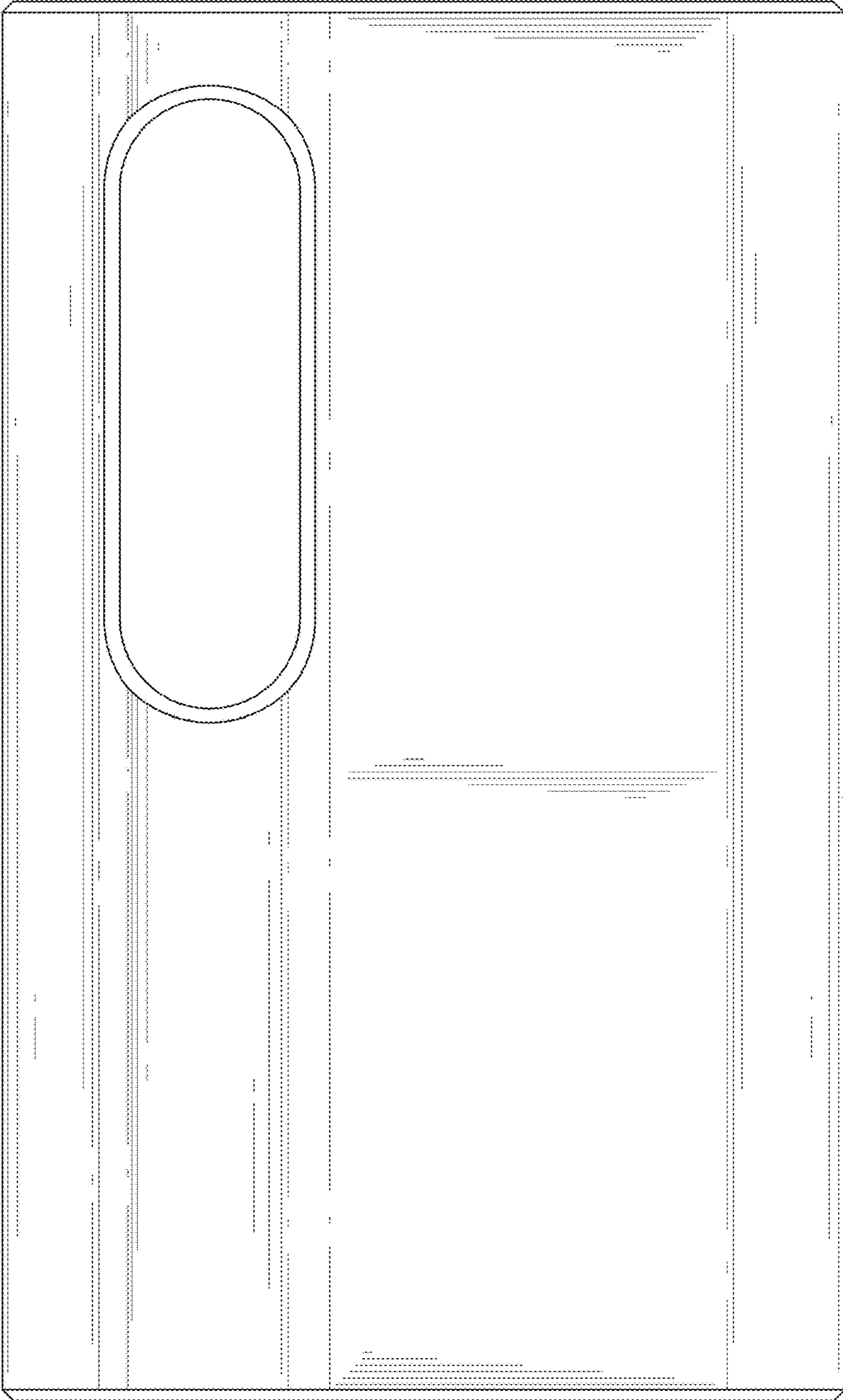


FIG. 2

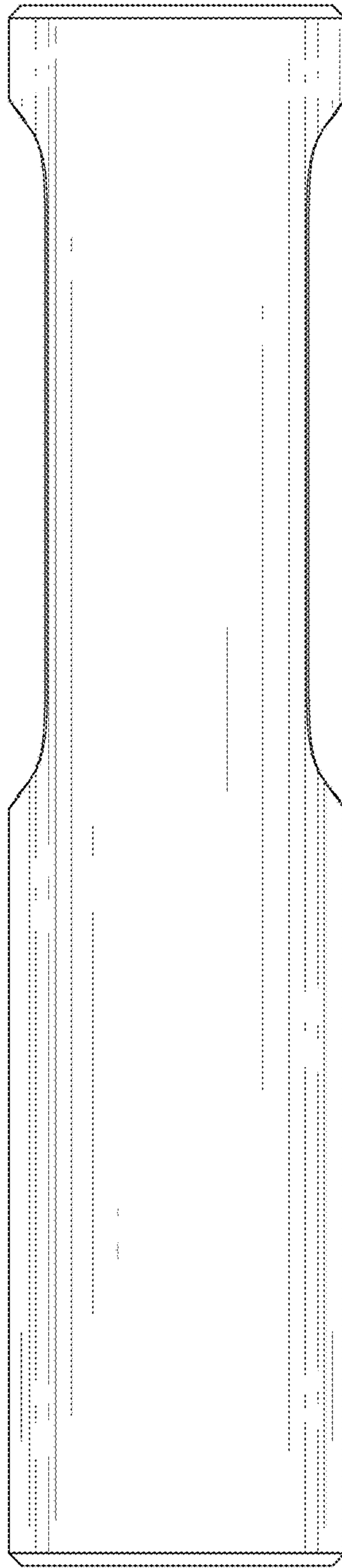


FIG. 3

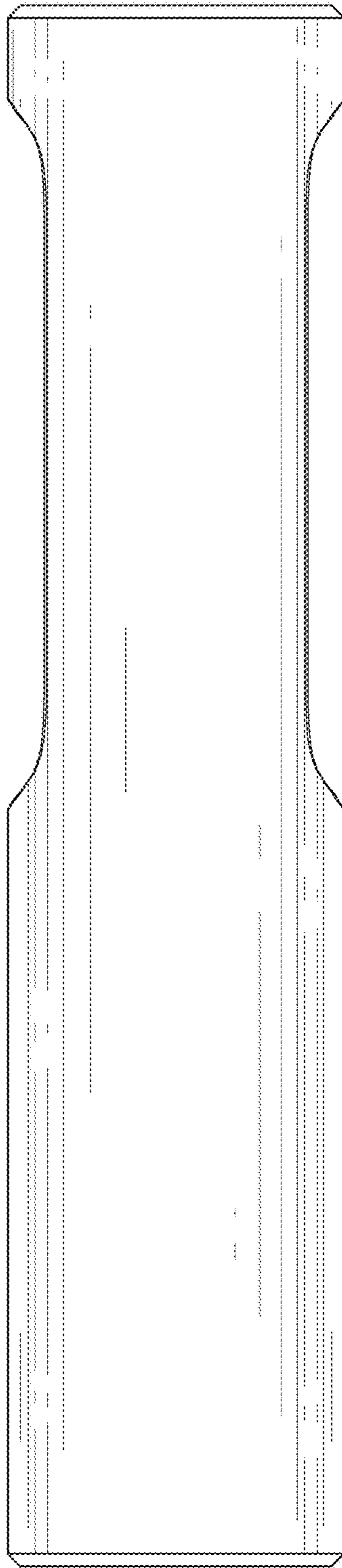


FIG. 4

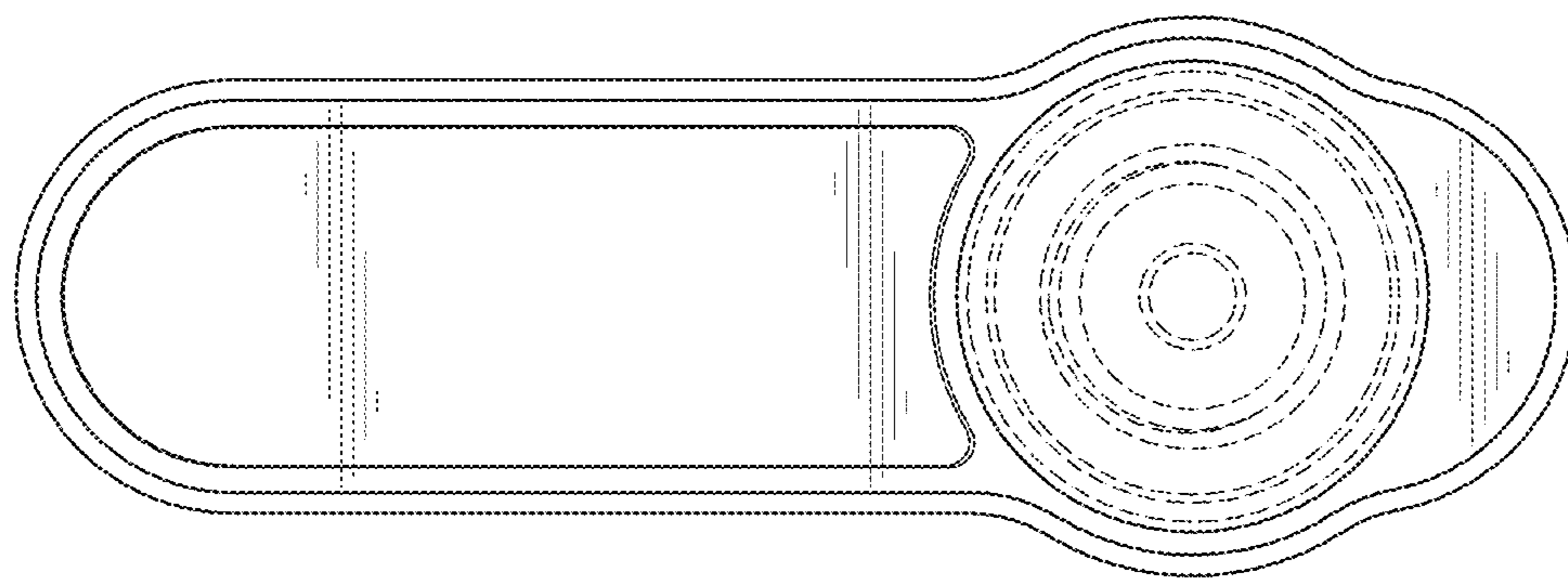


FIG. 5

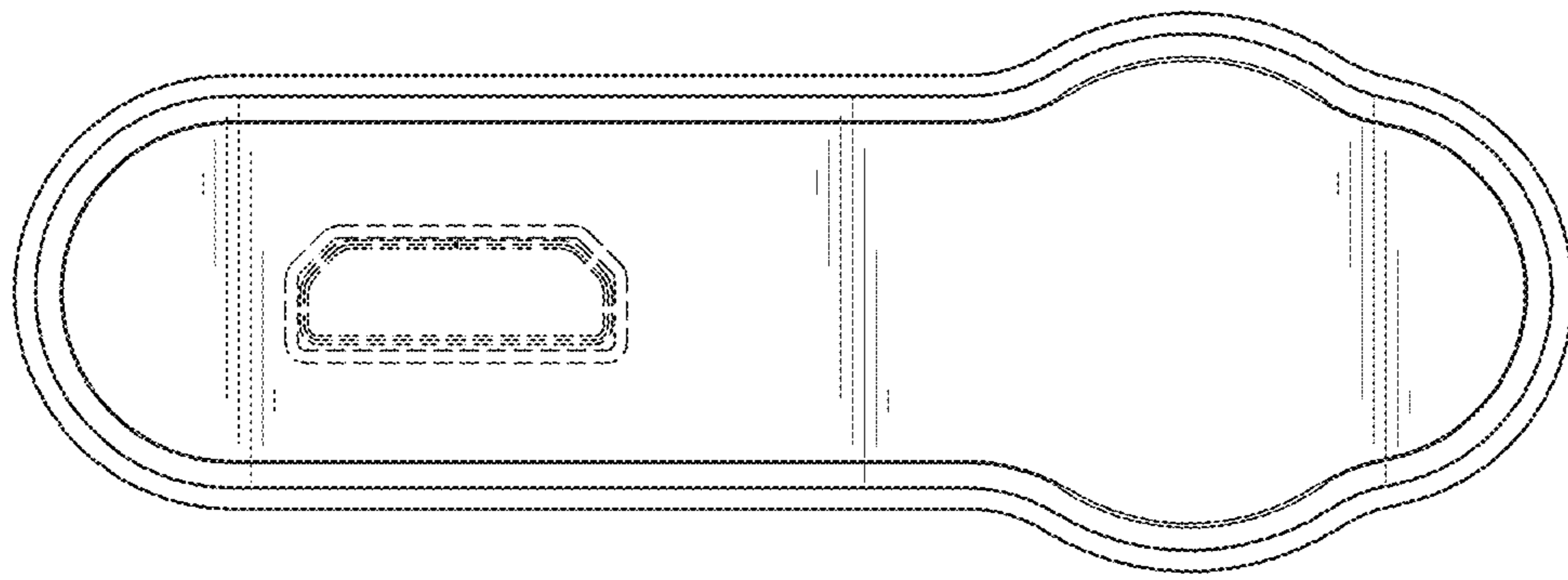


FIG. 6

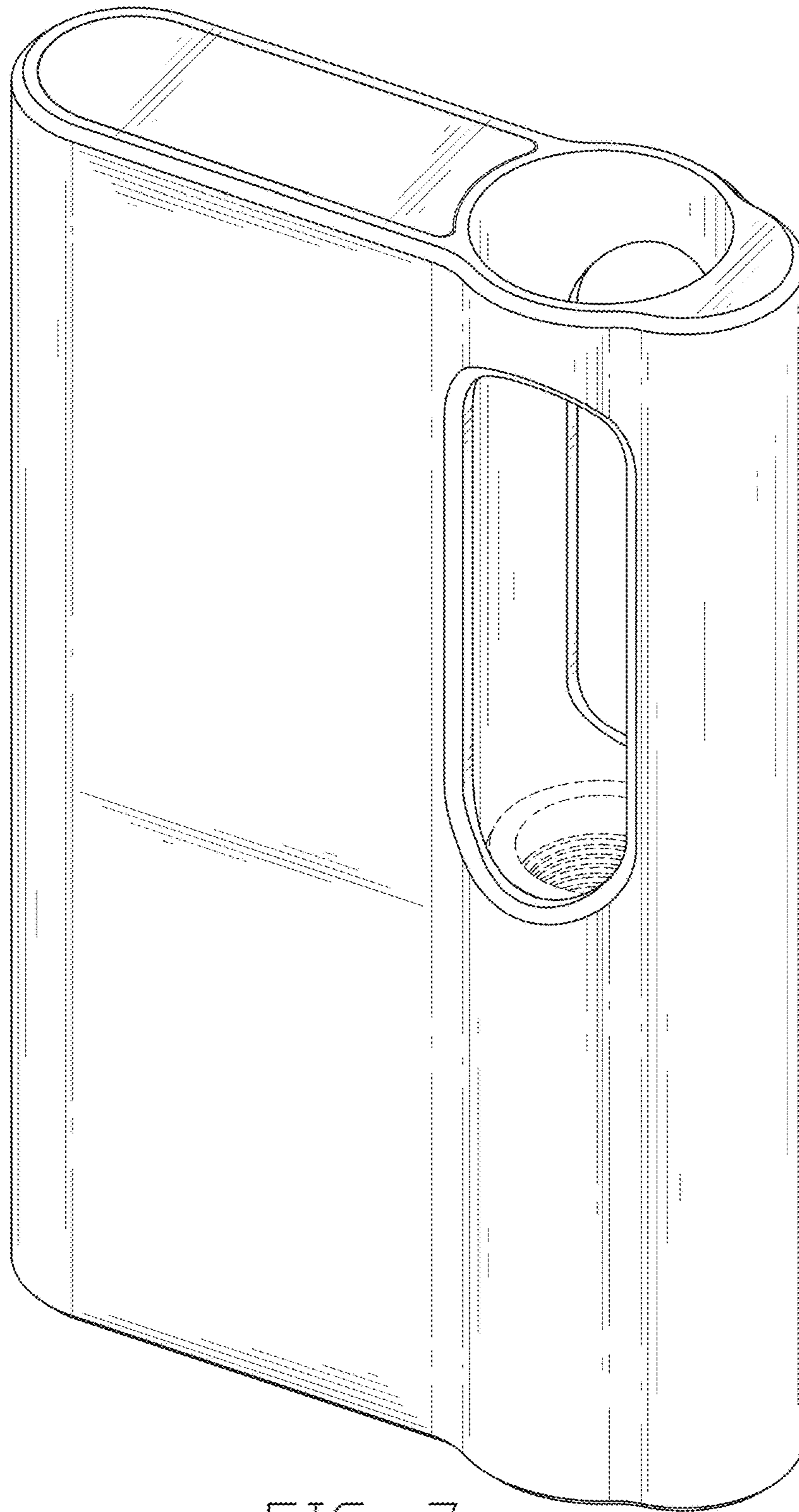


FIG. 7

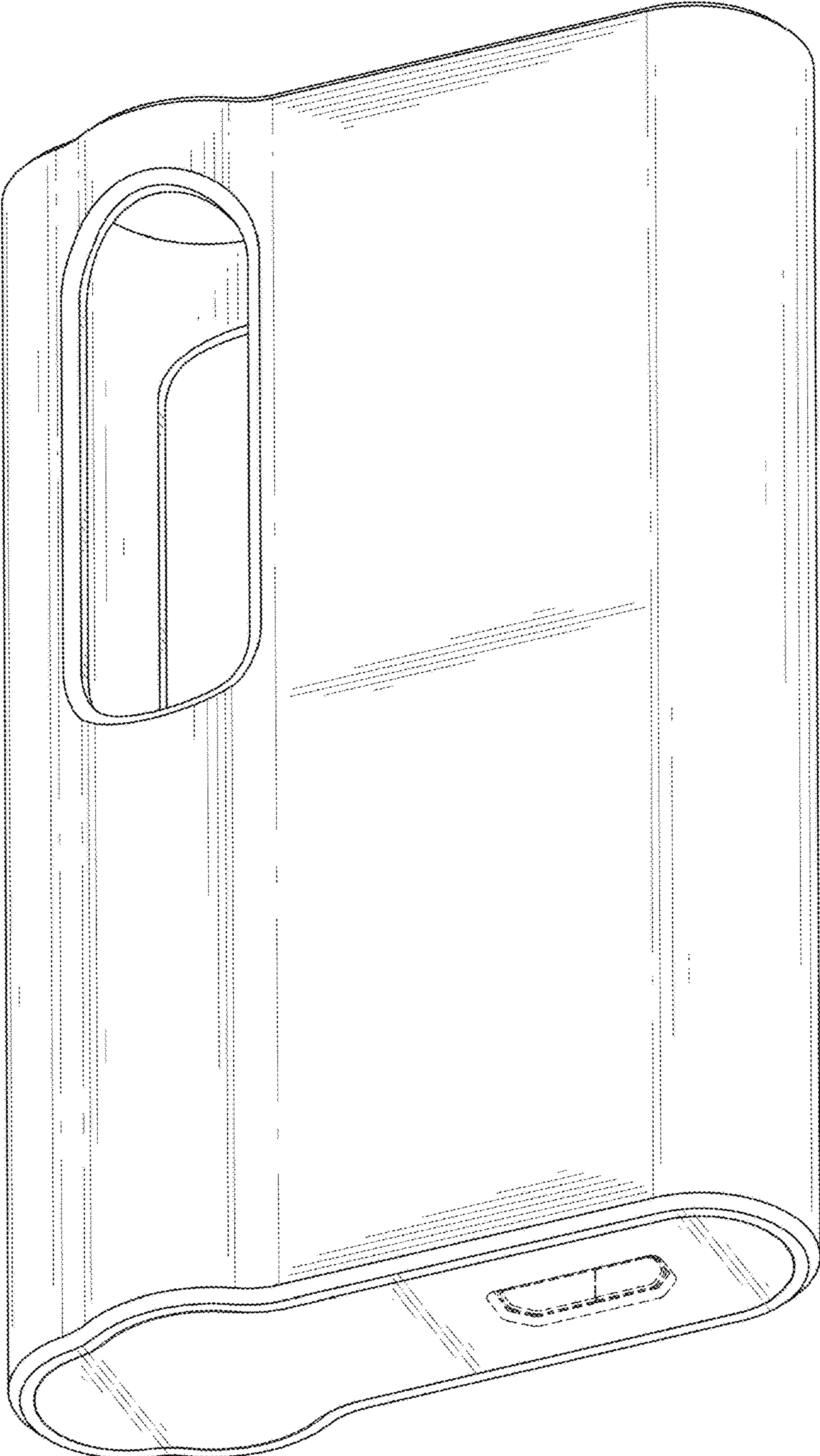


FIG. 8