



US00D829979S

(12) **United States Design Patent**
Tabaja

(10) **Patent No.:** **US D829,979 S**
(45) **Date of Patent:** **** Oct. 2, 2018**

- (54) **ASHTRAY**
- (71) Applicant: **Mohamad Tabaja**, Covina, CA (US)
- (72) Inventor: **Mohamad Tabaja**, Covina, CA (US)
- (**) Term: **15 Years**
- (21) Appl. No.: **29/590,345**
- (22) Filed: **Jan. 10, 2017**
- (51) **LOC (11) Cl.** **27-03**
- (52) **U.S. Cl.**
USPC **D27/102**
- (58) **Field of Classification Search**
USPC D27/100, 101, 102, 103, 104, 105, 125,
D27/137, 162, 163-169, 170, 171,
D27/172-194; D23/366; D13/103, 108;
D9/452, 453, 454, 457; D14/435.1
CPC A24F 1/30; A24F 5/04; A24F 9/00; A24F
47/002; A24F 47/008; A24F 7/00; A24F
19/00; A61M 15/0021; G06K 7/0004
See application file for complete search history.

- D496,753 S * 9/2004 Thornell D27/105
- D551,386 S * 9/2007 Dayan D27/105
- D594,595 S * 6/2009 Catron D27/105
- D658,329 S * 4/2012 Katz D27/125
- 8,882,167 B1 * 11/2014 Clark B60N 3/083
296/37.11
- D780,992 S * 3/2017 Lozier D27/103
- 2007/0039627 A1 * 2/2007 Roman A24F 19/0035
131/231
- 2010/0059071 A1 * 3/2010 Dorsey A24F 19/0085
131/240.1
- 2010/0065072 A1 * 3/2010 Ying Ching A24F 19/0028
131/231

* cited by examiner

Primary Examiner — Brandon Michael Rosati
Assistant Examiner — Marissa J Cash
(74) *Attorney, Agent, or Firm* — David R. Preston; J.D.,
APC

(57) **CLAIM**

The ornamental design for an ashtray, as shown and described.

DESCRIPTION

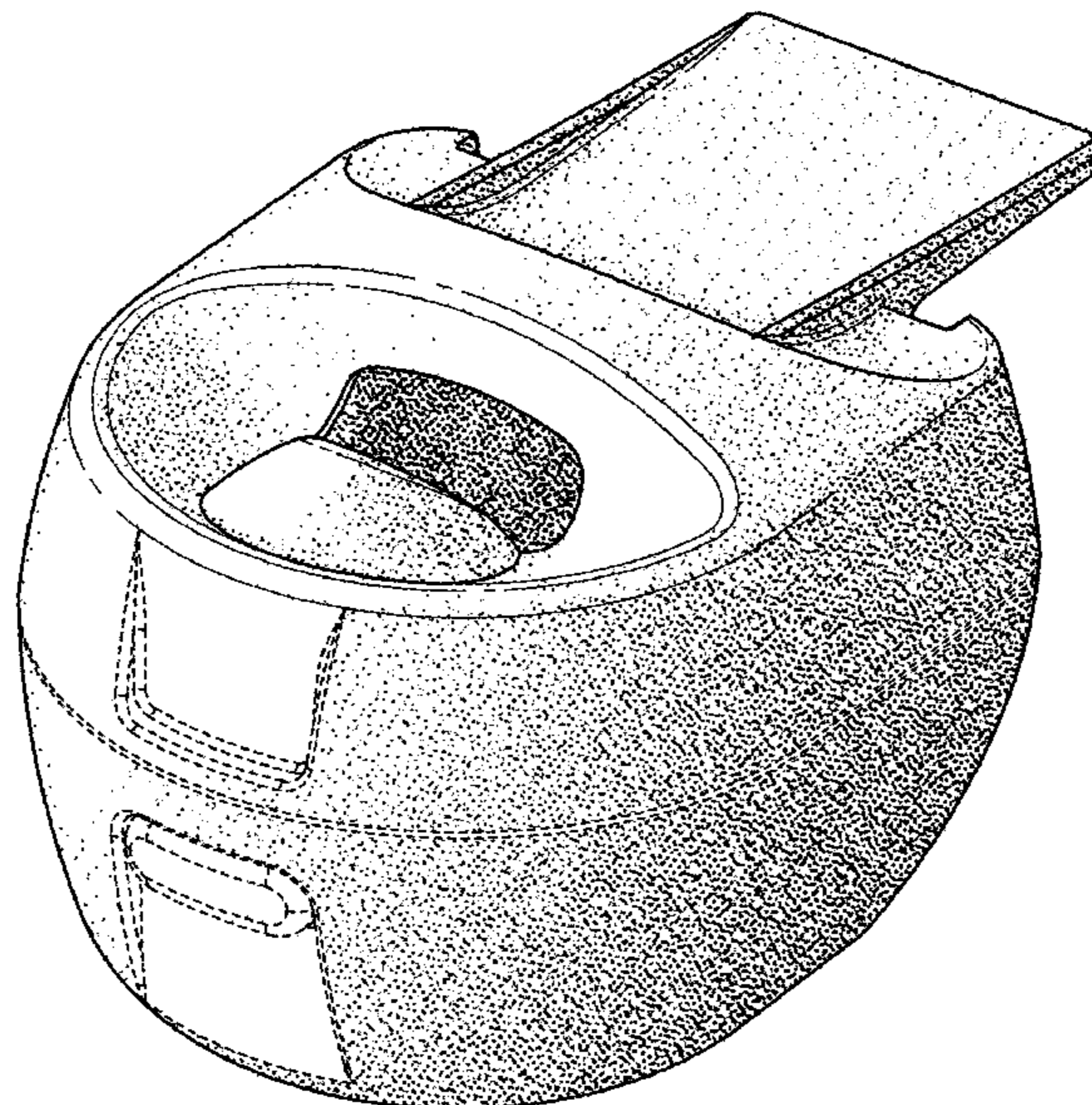
FIG. 1 shows an environmental view of an astray attached to the side mirror of a car;
FIG. 2 shows an upper front perspective view of an astray;
FIG. 3 shows an upper rear perspective view of an astray;
FIG. 4 shows a side orthographic view of an astray;
FIG. 5 shows a top orthographic view of an astray
FIG. 6 shows a front orthographic view of an astray;
FIG. 7 shows a bottom/underside orthographic view of an astray; and,
FIG. 8 shows a rear orthographic view of an astray.
In the drawings, the broken lines depict environmental subject matter only and form no part of the claimed design.

(56) **References Cited**

U.S. PATENT DOCUMENTS

- D168,197 S * 11/1952 Von Bergen 131/231
- D168,213 S * 11/1952 Coller 131/231
- D212,869 S * 12/1968 Prisching D27/104
- D256,279 S * 8/1980 Huggins D27/104
- D258,468 S * 3/1981 Whitlock D27/104
- 4,450,975 A * 5/1984 Glass A24F 19/0092
131/257
- D362,921 S * 10/1995 Krystek D27/106
- D402,078 S * 12/1998 Fleischhauer D27/194
- D455,225 S * 4/2002 Whitlock D27/133
- D468,857 S * 1/2003 Foote D27/104
- 6,606,996 B1 * 8/2003 Thornell A24F 19/0085
131/231
- D493,011 S * 7/2004 Foote D27/104

1 Claim, 6 Drawing Sheets



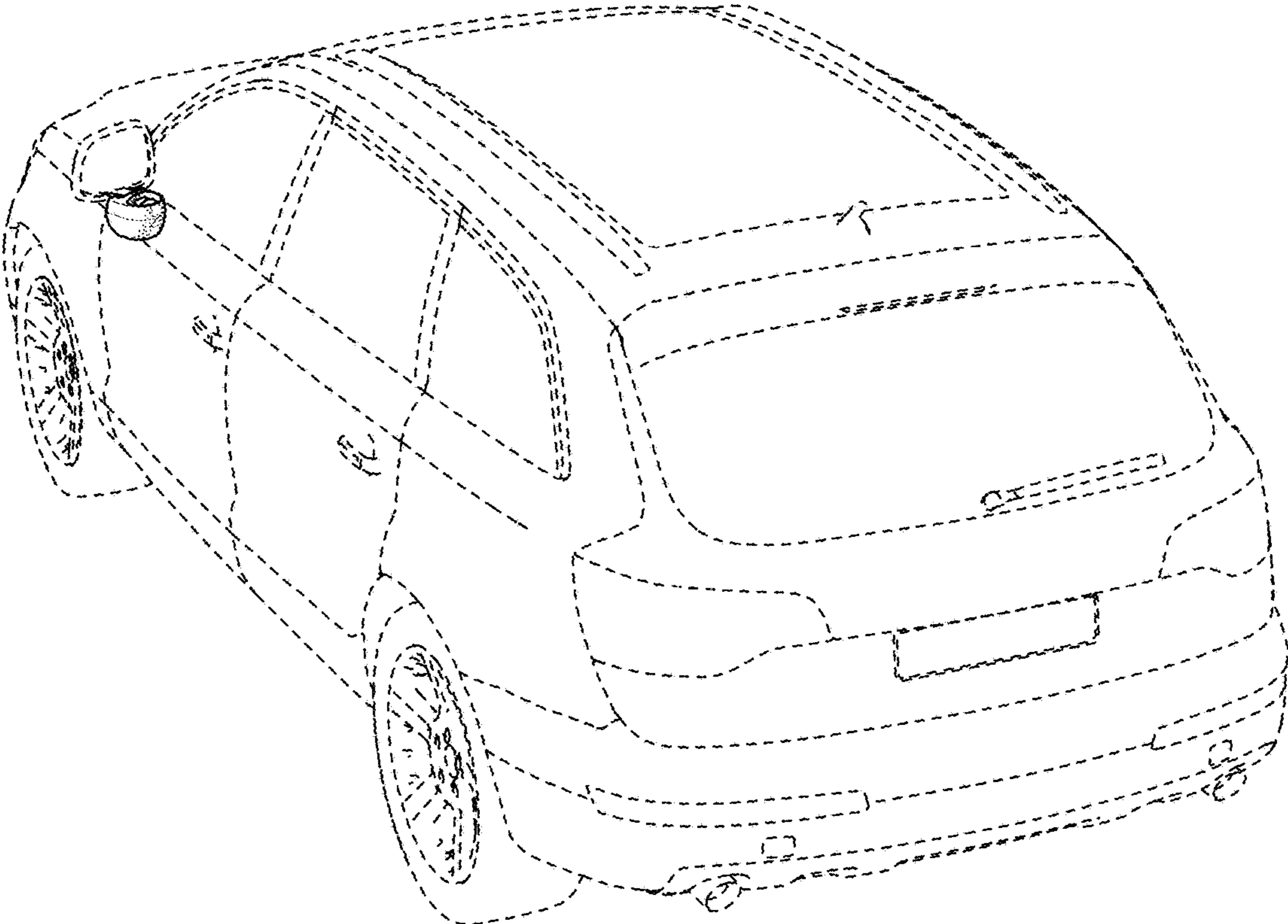


FIG. 1

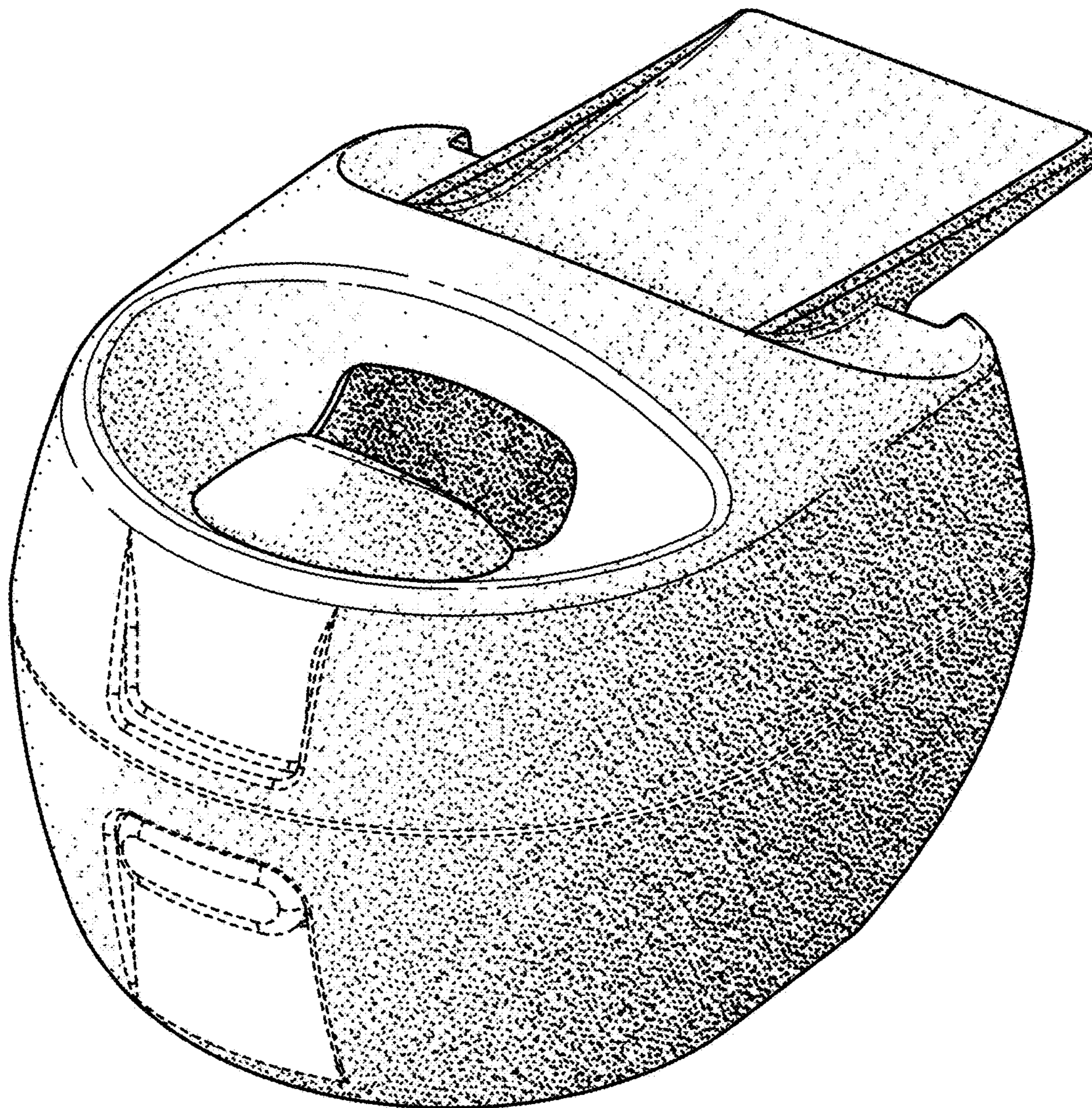


FIG. 2

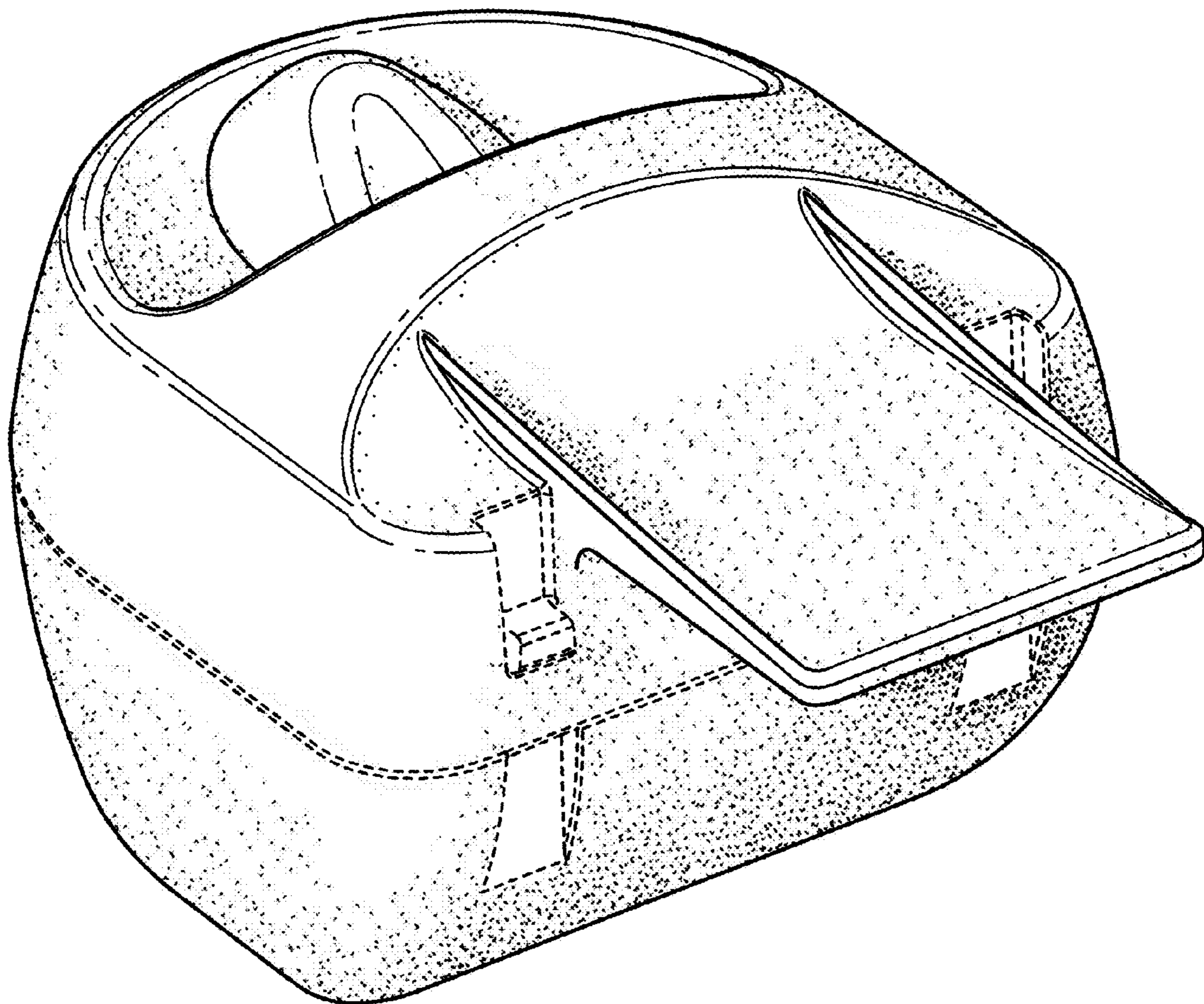


FIG. 3

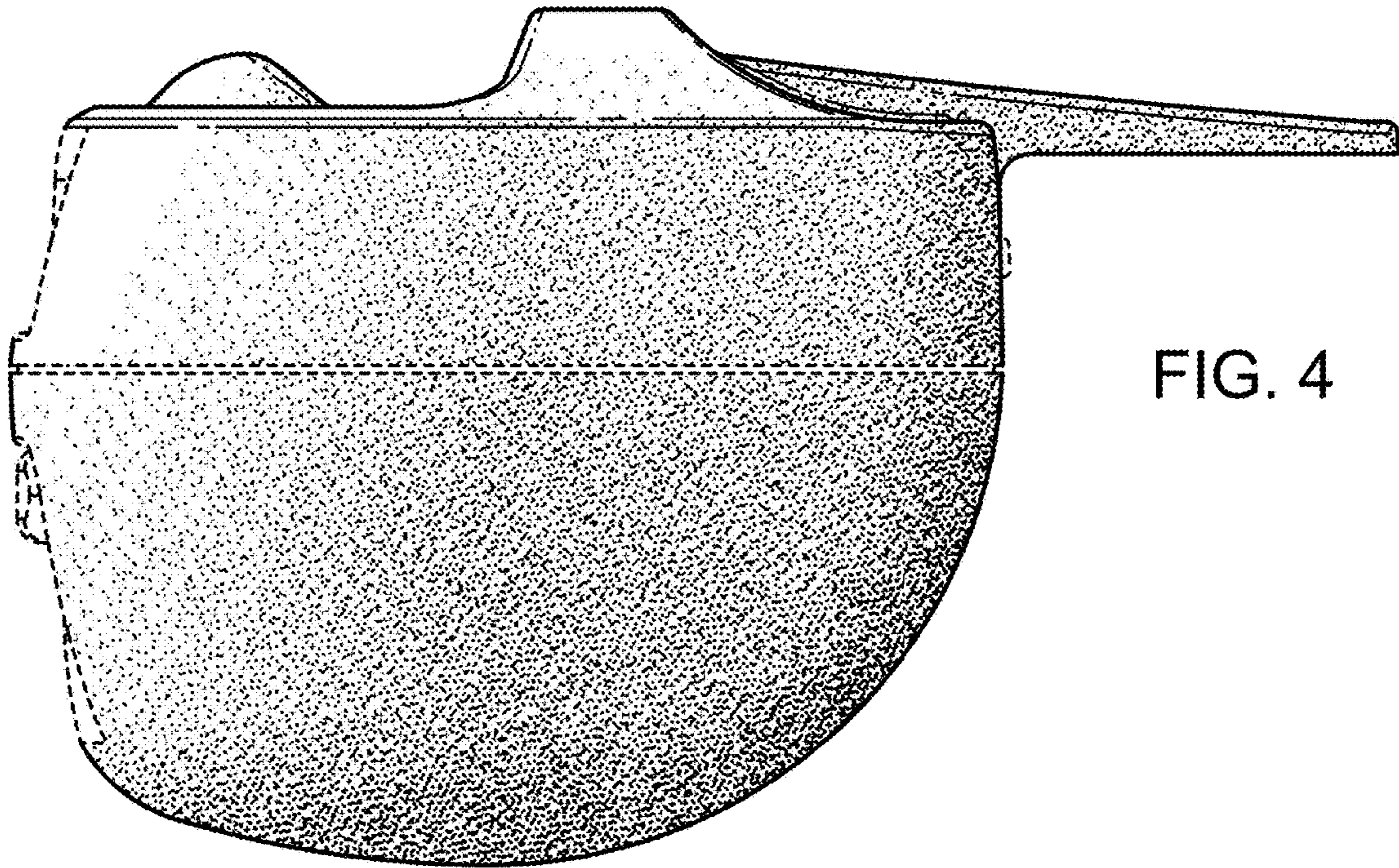


FIG. 4

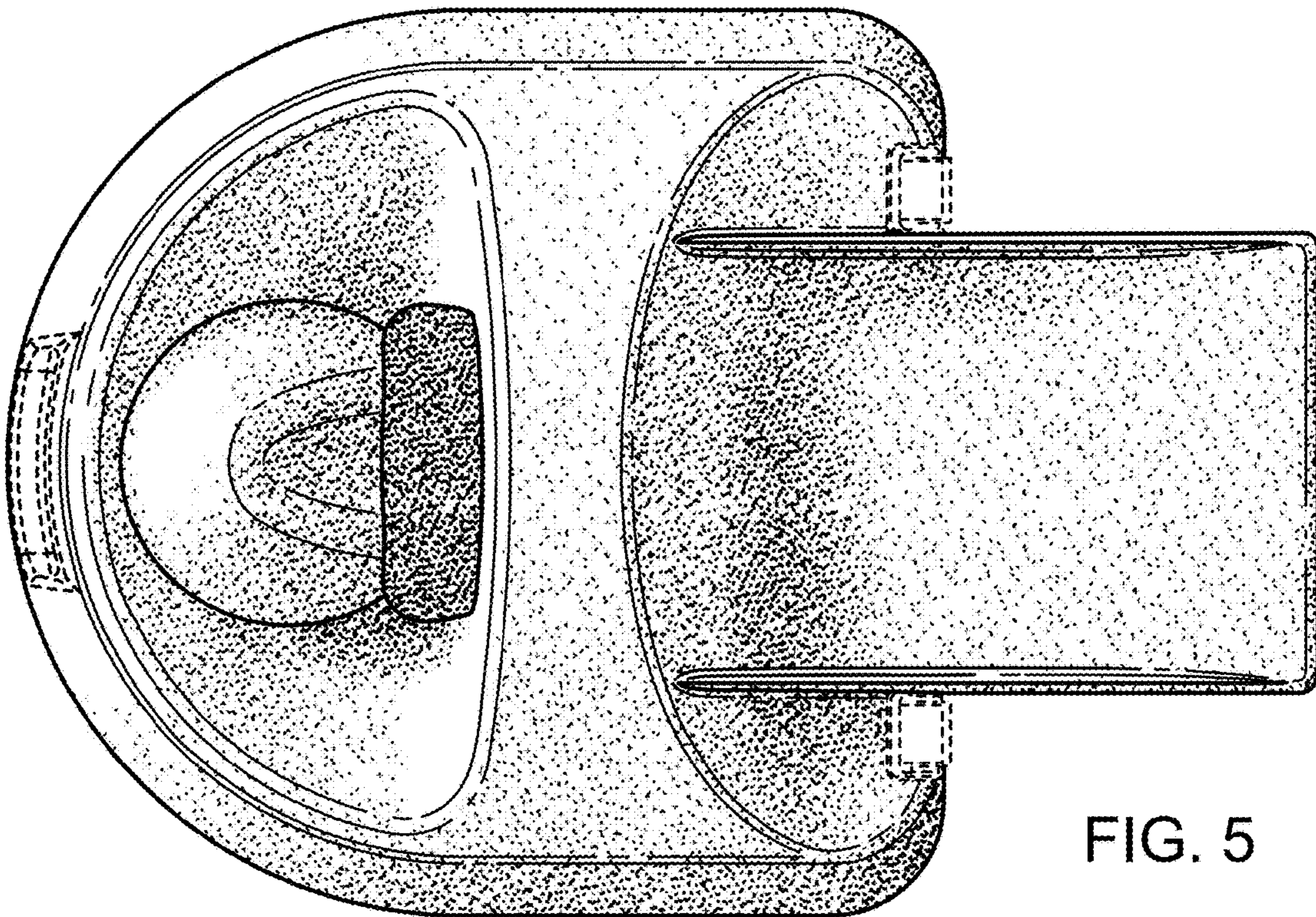


FIG. 5

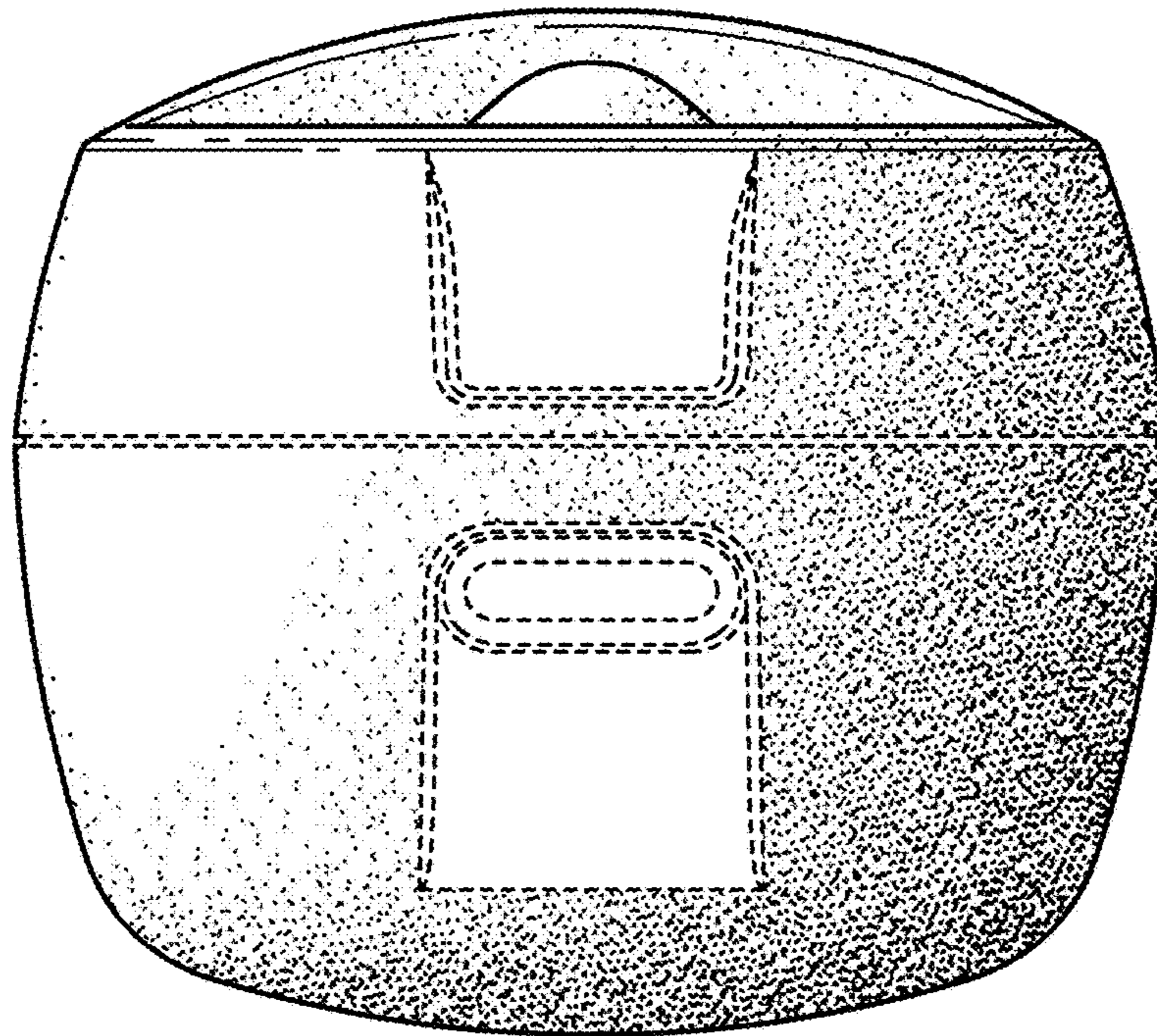


FIG. 6

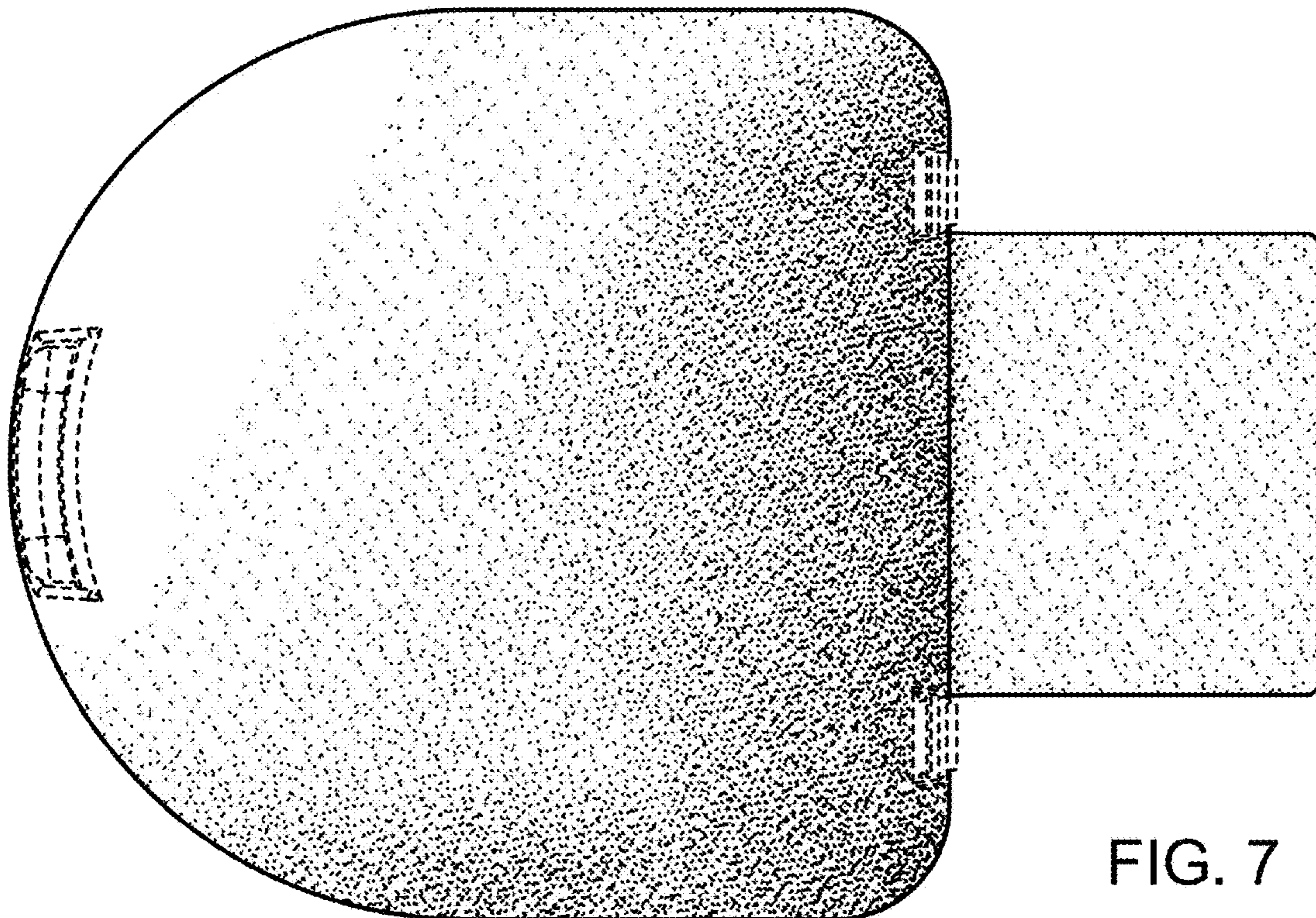


FIG. 7

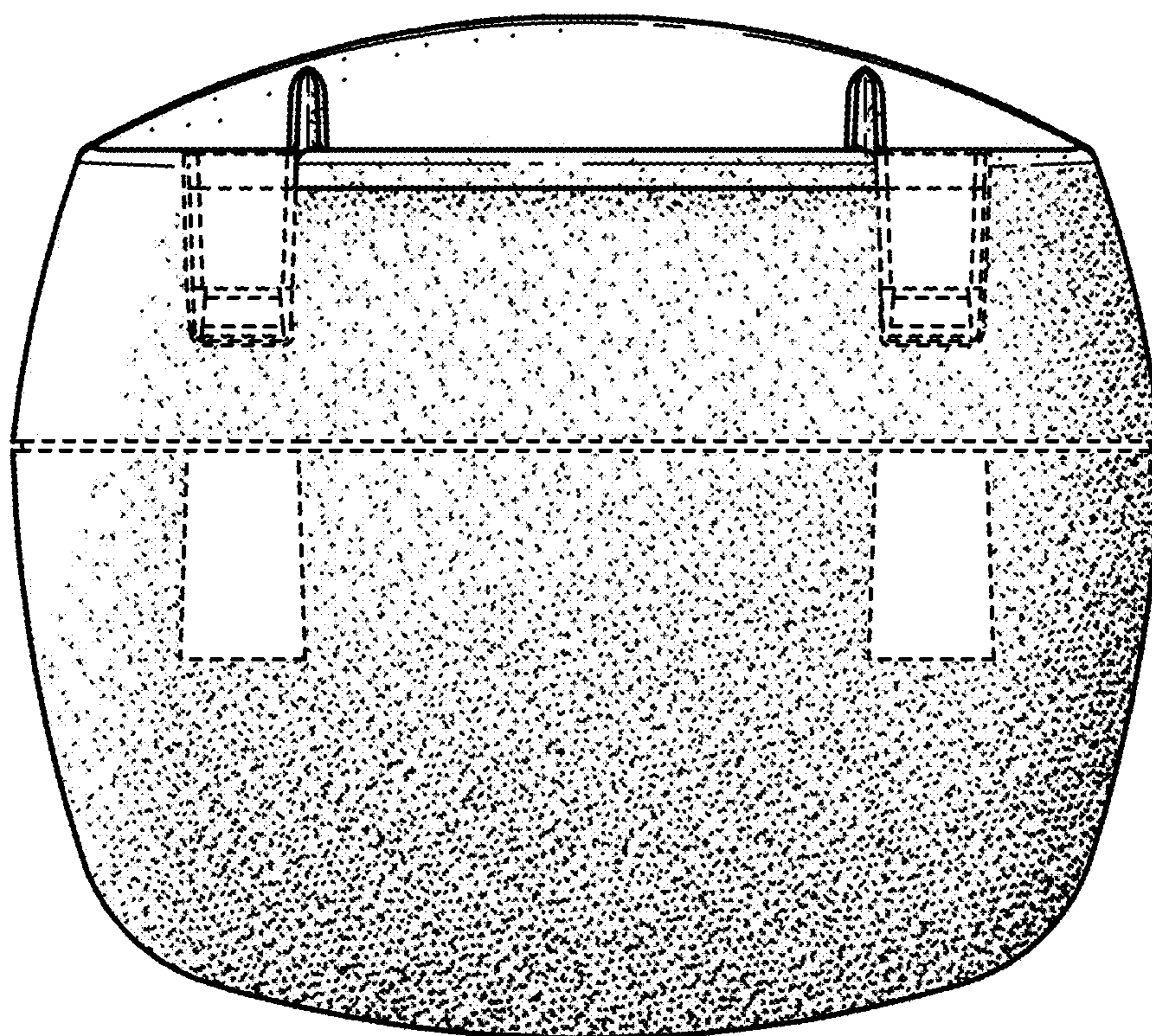


FIG. 8