



US00D829970S

(12) **United States Design Patent**  
**Brennenstuhl et al.**

(10) **Patent No.:** **US D829,970 S**  
(45) **Date of Patent:** **\*\* Oct. 2, 2018**

(54) **WALL MOUNT FOR COUPLEABLE LUMINAIRE**

(71) Applicant: **Nimbus Group GmbH**, Stuttgart (DE)

(72) Inventors: **Dietrich Brennenstuhl**, Stuttgart (DE);  
**Rupert Kopp**, Berlin (DE)

(73) Assignee: **Nimbus Group GmbH**, Stuttgart (DE)

(\*\*) Term: **15 Years**

(21) Appl. No.: **29/615,854**

(22) Filed: **Aug. 31, 2017**

(30) **Foreign Application Priority Data**

Mar. 3, 2017 (EM) ..... 003781350

(51) **LOC (11) Cl.** ..... **26-05**

(52) **U.S. Cl.**  
USPC ..... **D26/138**

(58) **Field of Classification Search**

USPC ..... D26/28, 30, 31, 118, 2, 73, 74, 75, 76,  
D26/78, 122, 121, 138, 136, 137,  
D26/139-145, 155, 71, 60, 68, 113

CPC ..... F21V 31/03; F21V 7/0083; F21V 29/004;  
B60Q 1/04; B60Q 1/26

See application file for complete search history.

(56) **References Cited**

**U.S. PATENT DOCUMENTS**

D509,615 S \* 9/2005 Rashidi ..... D26/120  
D561,374 S \* 2/2008 Hartmann, Jr. .... D26/74

D663,888 S \* 7/2012 Davis ..... D26/138  
D743,607 S \* 11/2015 Verelst ..... D26/68  
D745,210 S \* 12/2015 Serwacki ..... D26/138  
D745,211 S \* 12/2015 Serwacki ..... D26/138  
D762,907 S \* 8/2016 Jeswani ..... D26/74  
D777,966 S \* 1/2017 Jeswani ..... D26/74  
D809,698 S \* 2/2018 Benghozi ..... D26/74  
D816,256 S \* 4/2018 Benghozi ..... D26/74

\* cited by examiner

*Primary Examiner* — Mark A Goodwin

*Assistant Examiner* — Benjamin M Weeks

(74) *Attorney, Agent, or Firm* — Reising Ethington, P.C.

(57) **CLAIM**

The ornamental design for a wall mount for coupleable luminaire, as shown and described.

**DESCRIPTION**

FIG. 1 is a perspective view of the wall mount for coupleable luminaire;

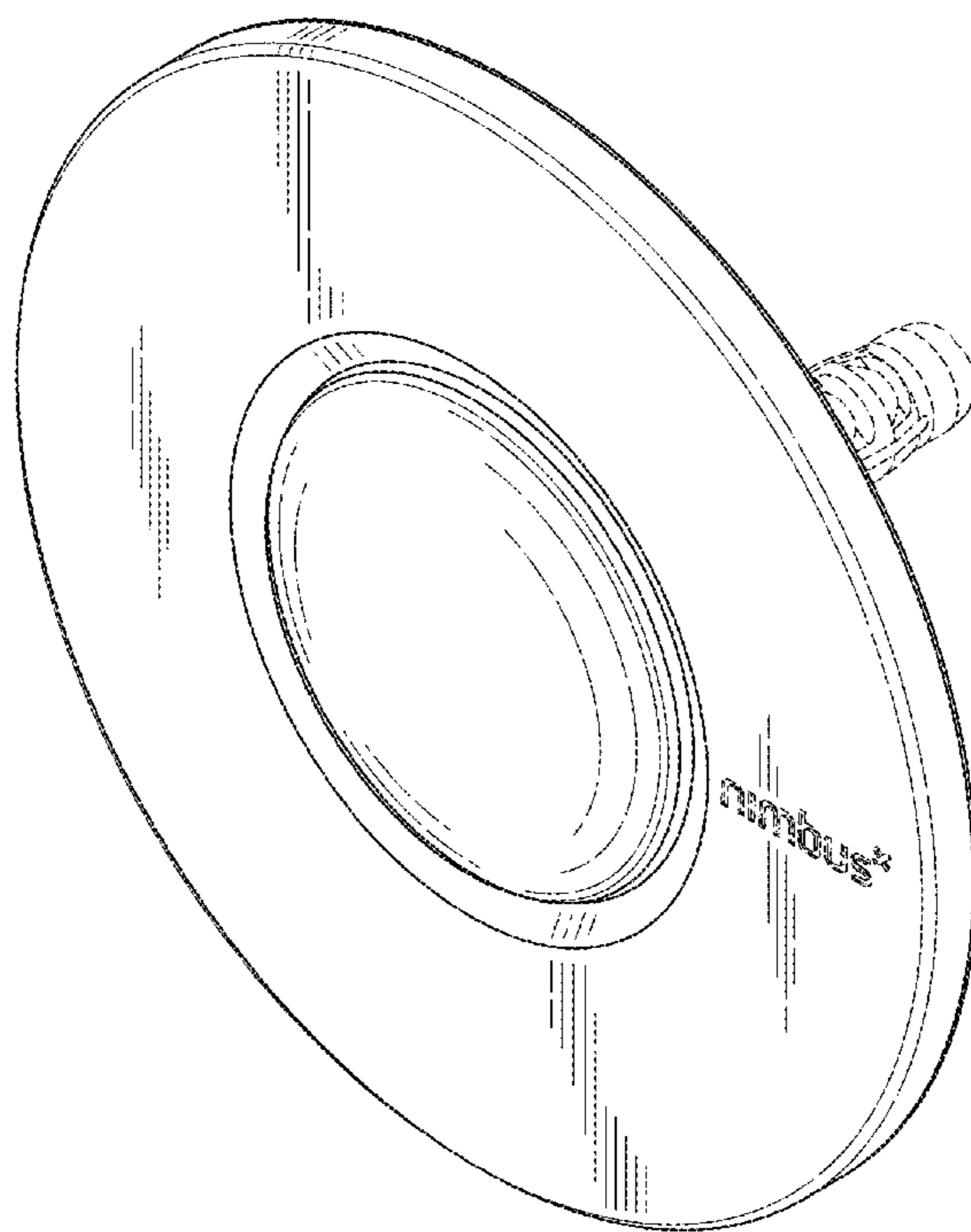
FIG. 2 is a top view thereof;

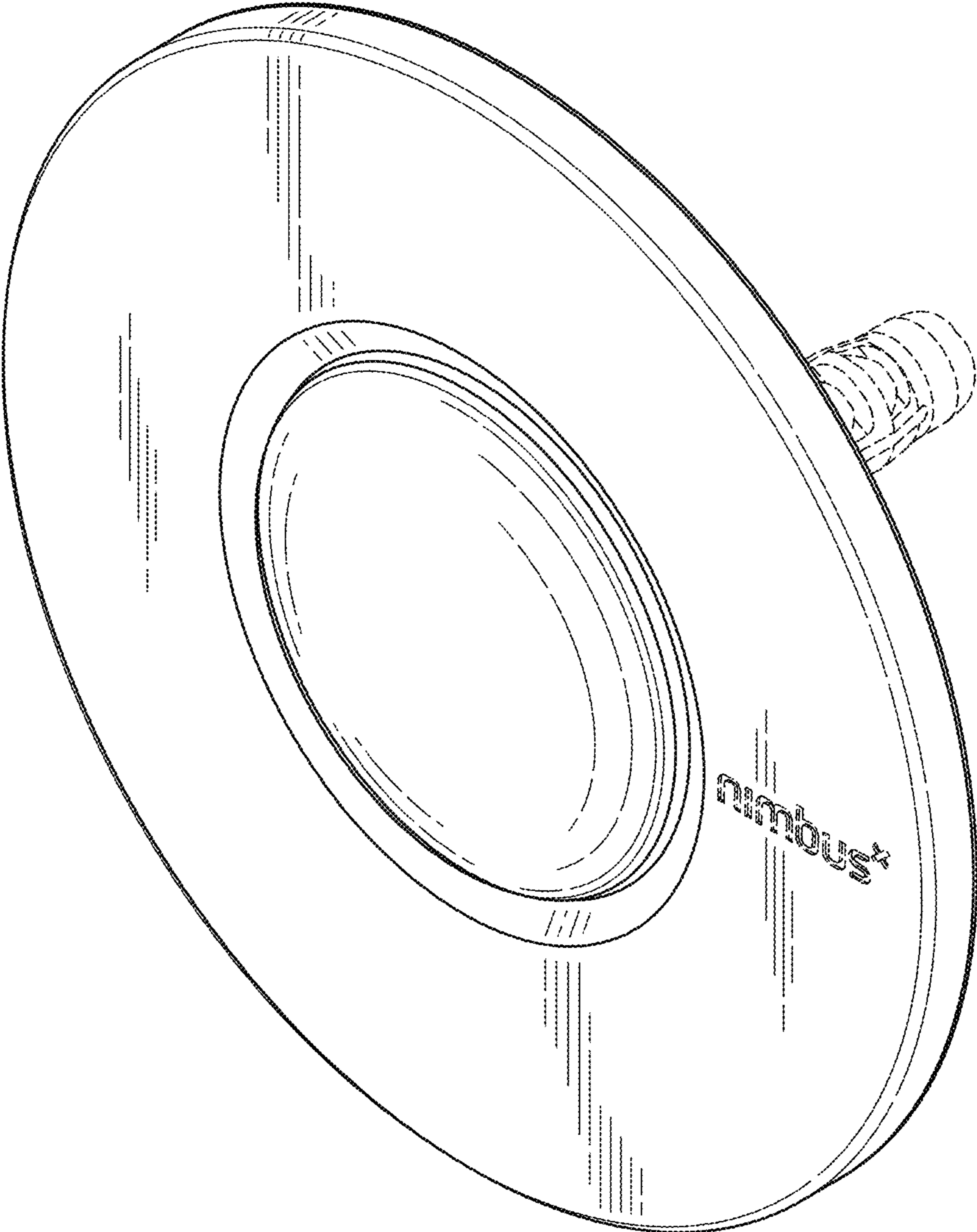
FIG. 3 is a side view thereof; and,

FIG. 4 is a bottom view thereof.

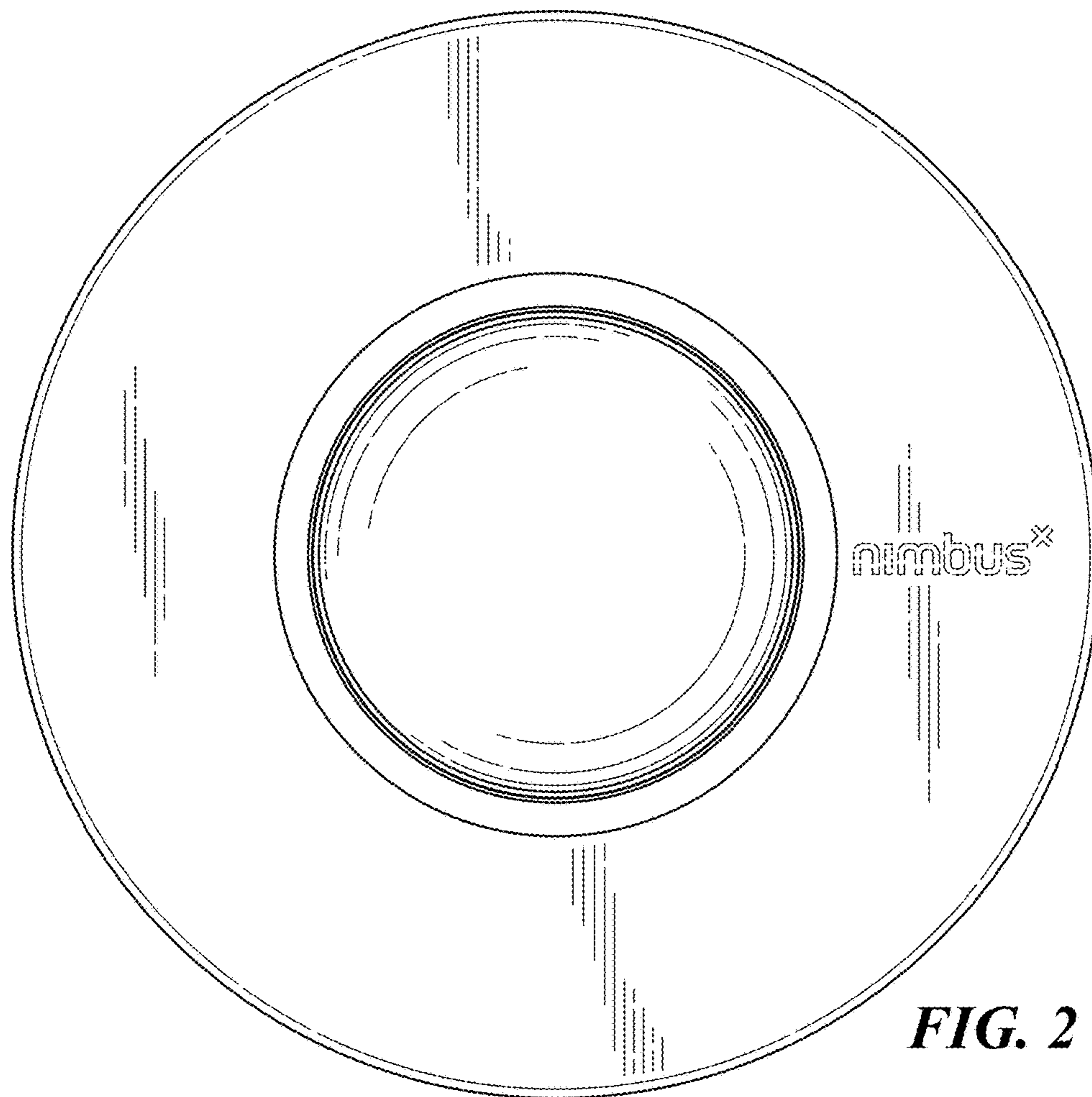
The broken lines showing the remainder of the wall mount for coupleable luminaire form no part of the claimed design.

**1 Claim, 3 Drawing Sheets**

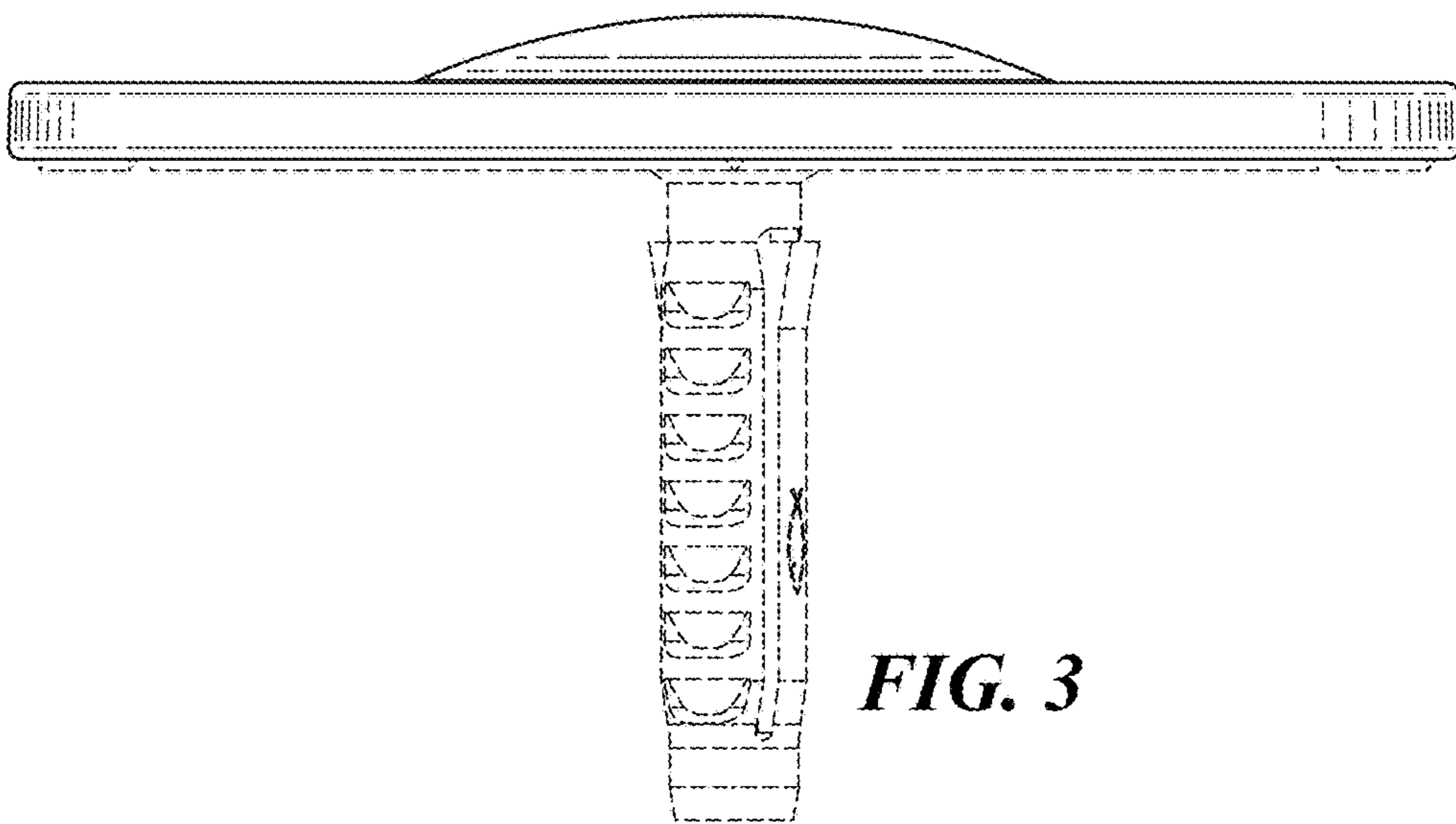




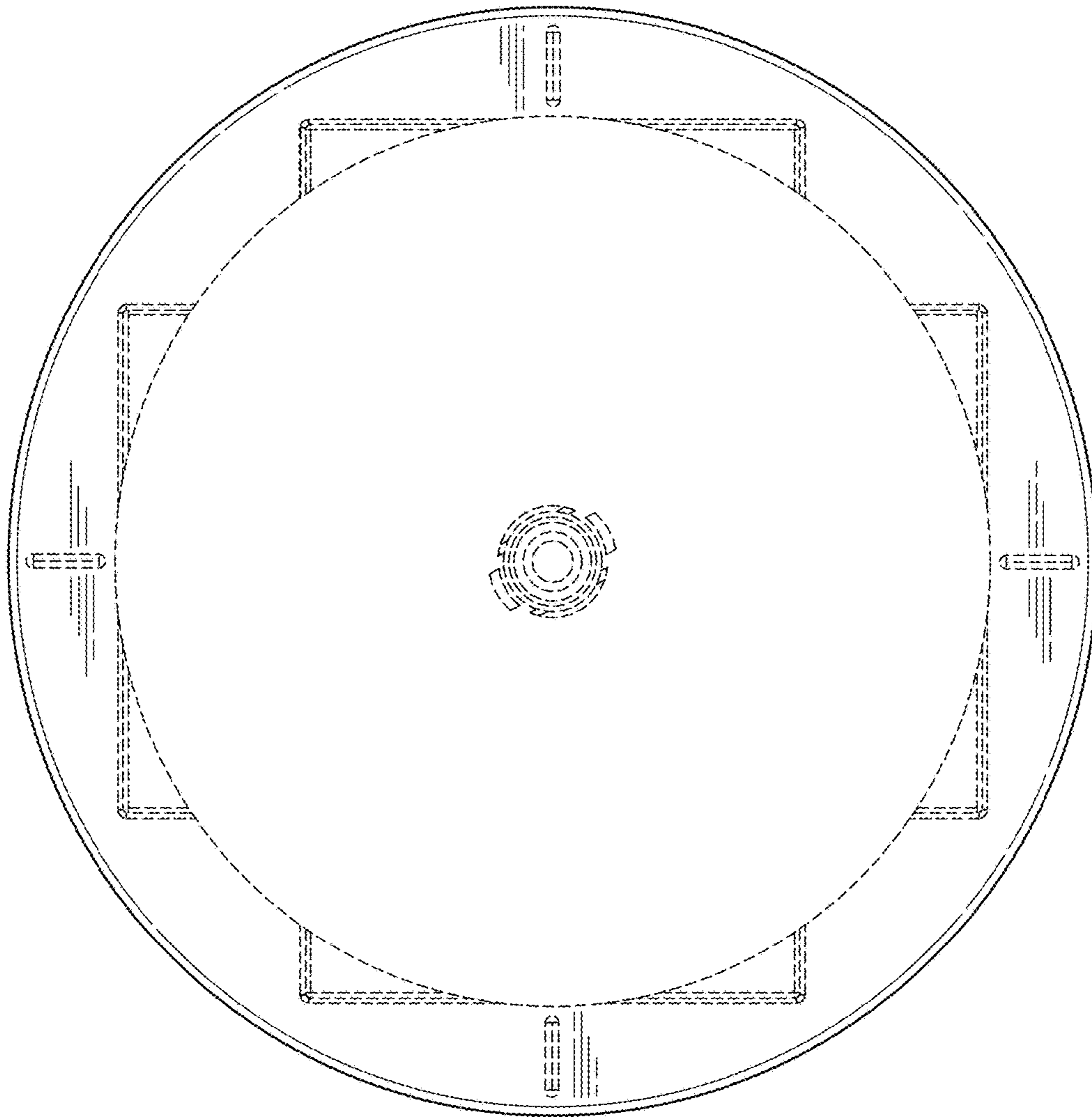
**FIG. 1**



**FIG. 2**



**FIG. 3**



**FIG. 4**