



US00D829961S

(12) **United States Design Patent**  
**Lin**

(10) **Patent No.:** **US D829,961 S**  
(45) **Date of Patent:** **\*\* Oct. 2, 2018**

(54) **REVOLVING LIGHT**

D590,097 S \* 4/2009 Tam ..... D26/104  
D757,988 S \* 5/2016 Chang ..... D26/104  
D786,485 S \* 5/2017 Amato ..... D26/106

(71) Applicant: **Muchun Lin**, Shantou (CN)

\* cited by examiner

(72) Inventor: **Muchun Lin**, Shantou (CN)

*Primary Examiner* — Brian N. Vinson

(\*\*) Term: **15 Years**

(74) *Attorney, Agent, or Firm* — Schmeiser, Olsen & Watts, LLP

(21) Appl. No.: **29/586,812**

(22) Filed: **Dec. 7, 2016**

(30) **Foreign Application Priority Data**

(57) **CLAIM**

Oct. 20, 2016 (CN) ..... 2016 3 0511437

(51) **LOC (11) Cl.** ..... **26-99**

The ornamental design for a revolving light, as shown and described.

(52) **U.S. Cl.**  
USPC ..... **D26/104**

(58) **Field of Classification Search**  
USPC ..... D26/1, 4, 24, 27, 51, 93, 94, 104, 106;  
D11/131, 157, 184, 121, 125  
CPC .. A63H 13/00; F21S 6/00; F21S 6/002; F21S  
10/00; F21V 3/00; F21V 3/0418; F21V  
15/00; F21V 21/02; F21V 31/00; F21W  
2121/00; F21W 2131/30  
See application file for complete search history.

**DESCRIPTION**

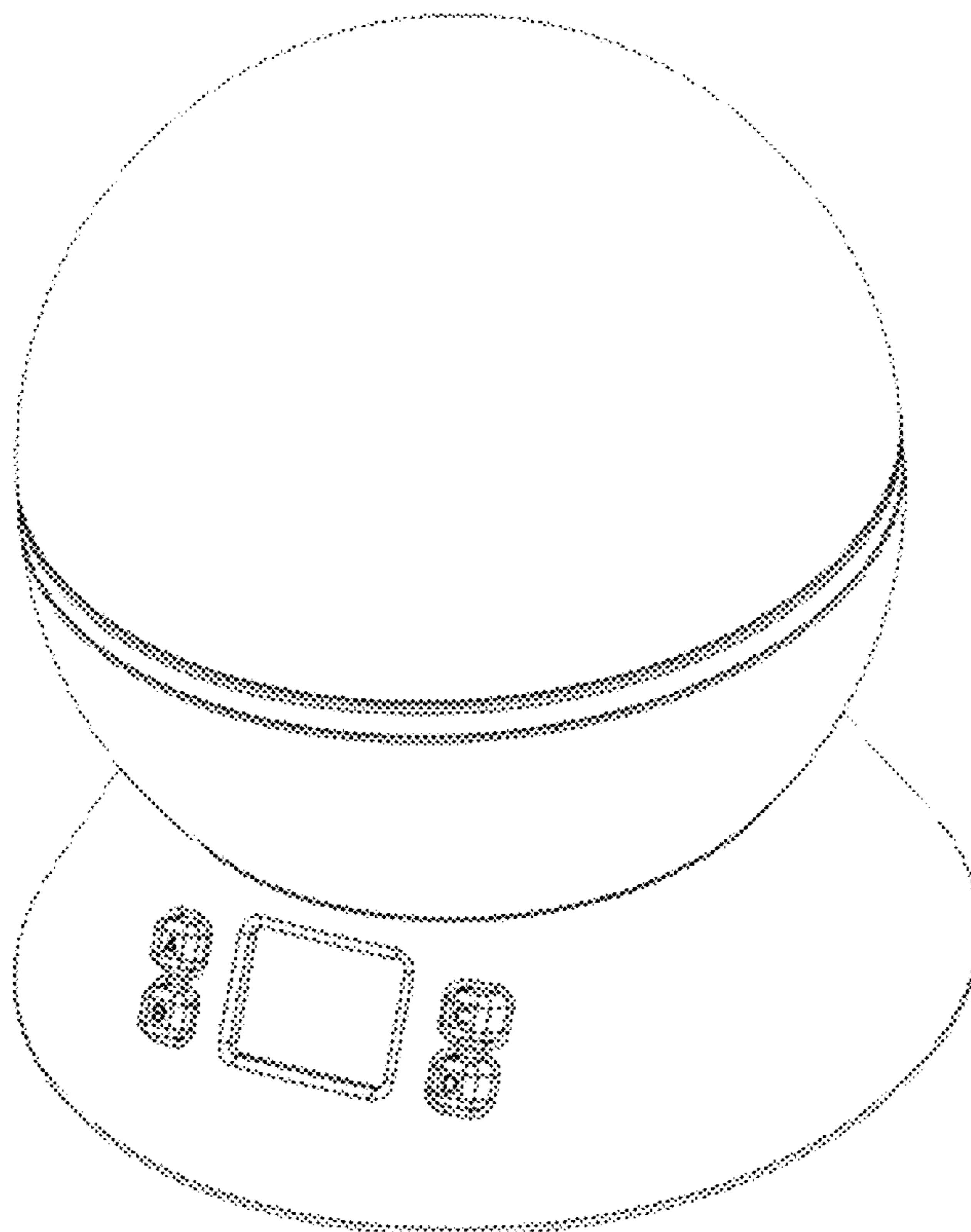
(56) **References Cited**

FIG. 1 is a Front elevational view of a revolving light showing my new design;  
FIG. 2 is a Rear elevational view thereof;  
FIG. 3 is a Left side view thereof;  
FIG. 4 is a Right side view thereof;  
FIG. 5 is a Top plan view thereof;  
FIG. 6 is a Bottom plan view thereof; and,  
FIG. 7 is a Perspective view thereof.  
The broken lines shown in FIG. 6 show portions of the revolving light that form no part of the claimed design.

**U.S. PATENT DOCUMENTS**

4,961,276 A \* 10/1990 Lin ..... A63H 13/00  
40/410  
D393,016 S \* 3/1998 Young ..... D11/131

**1 Claim, 7 Drawing Sheets**



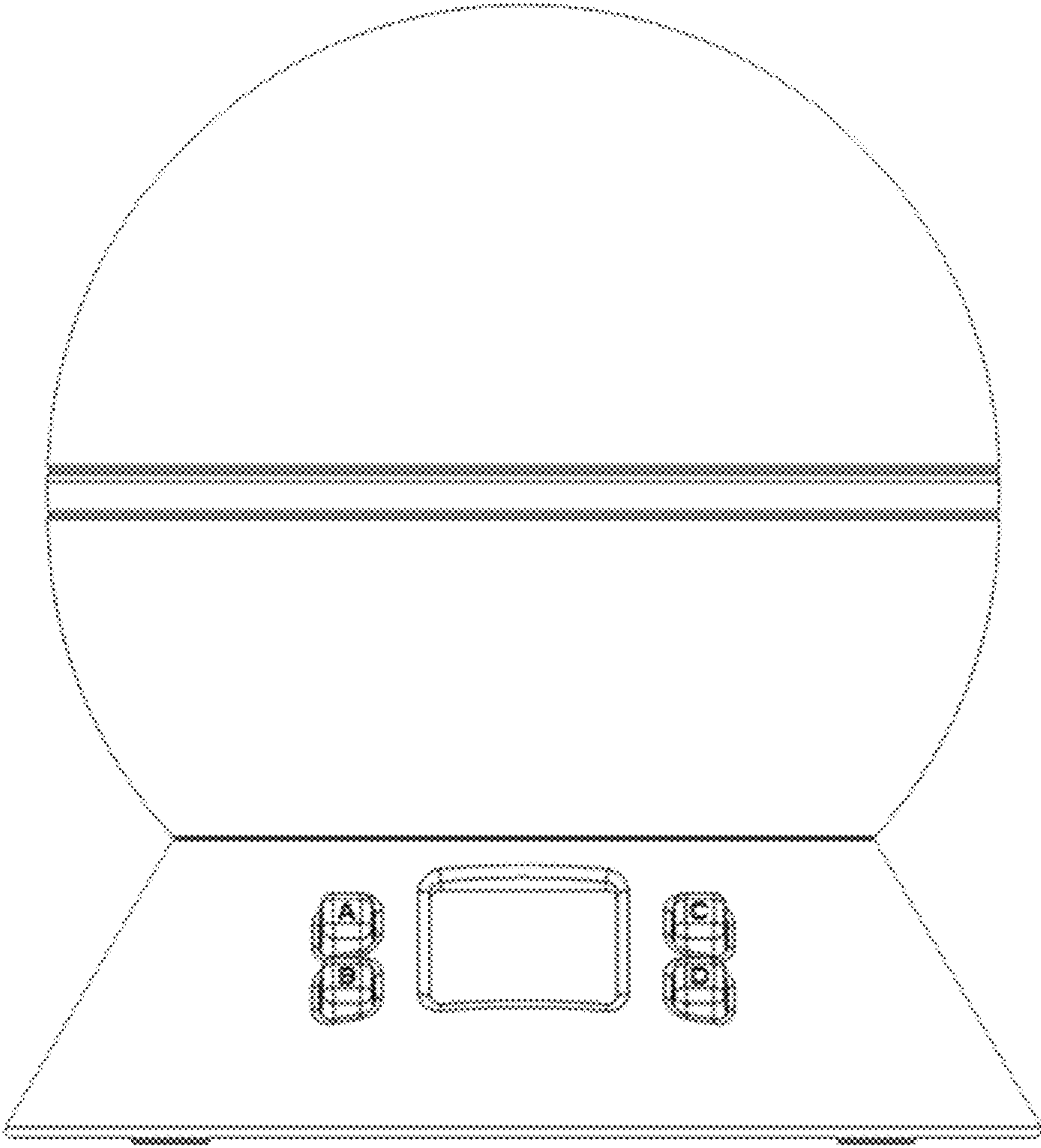


Figure 1

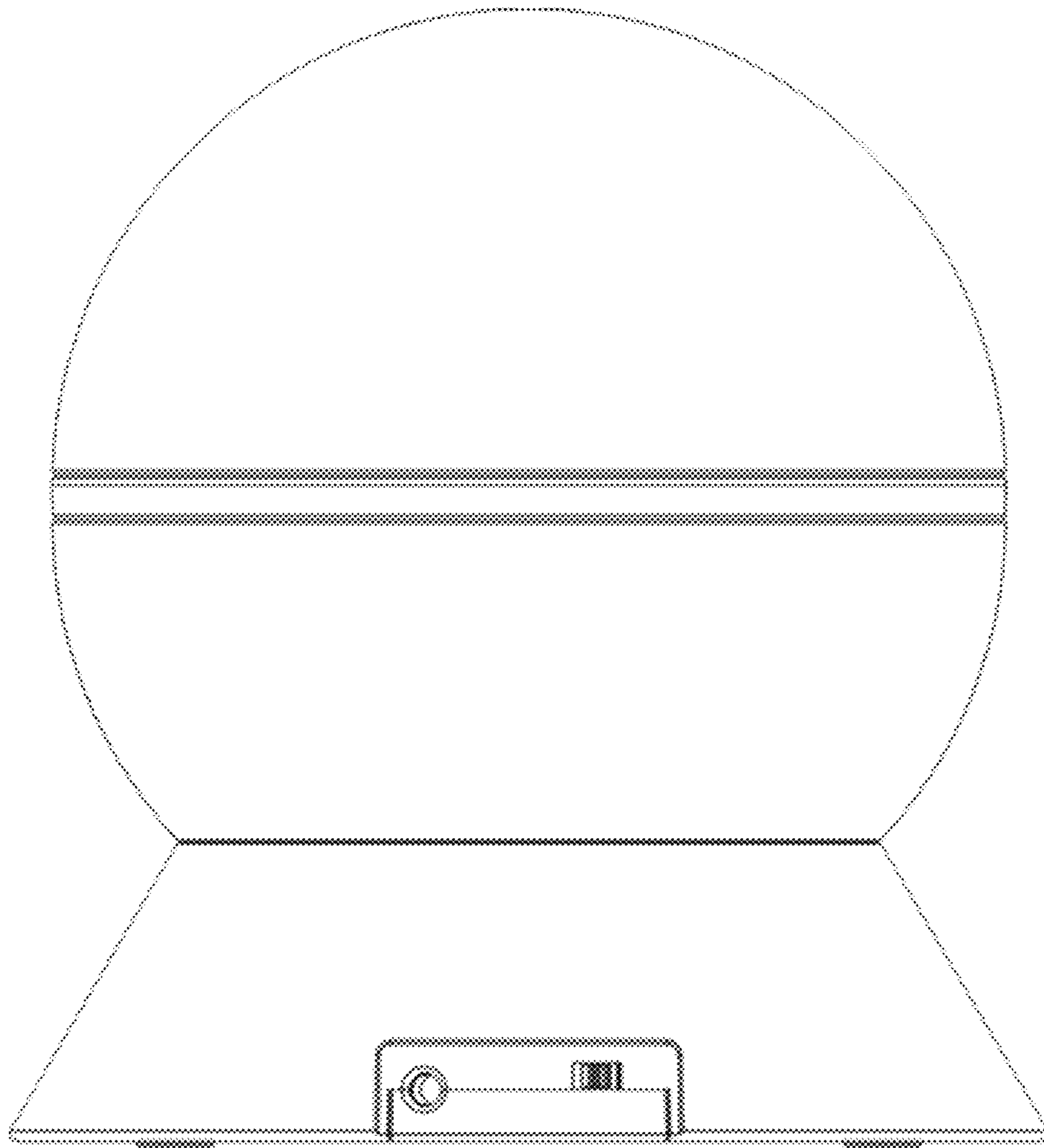


Figure 2

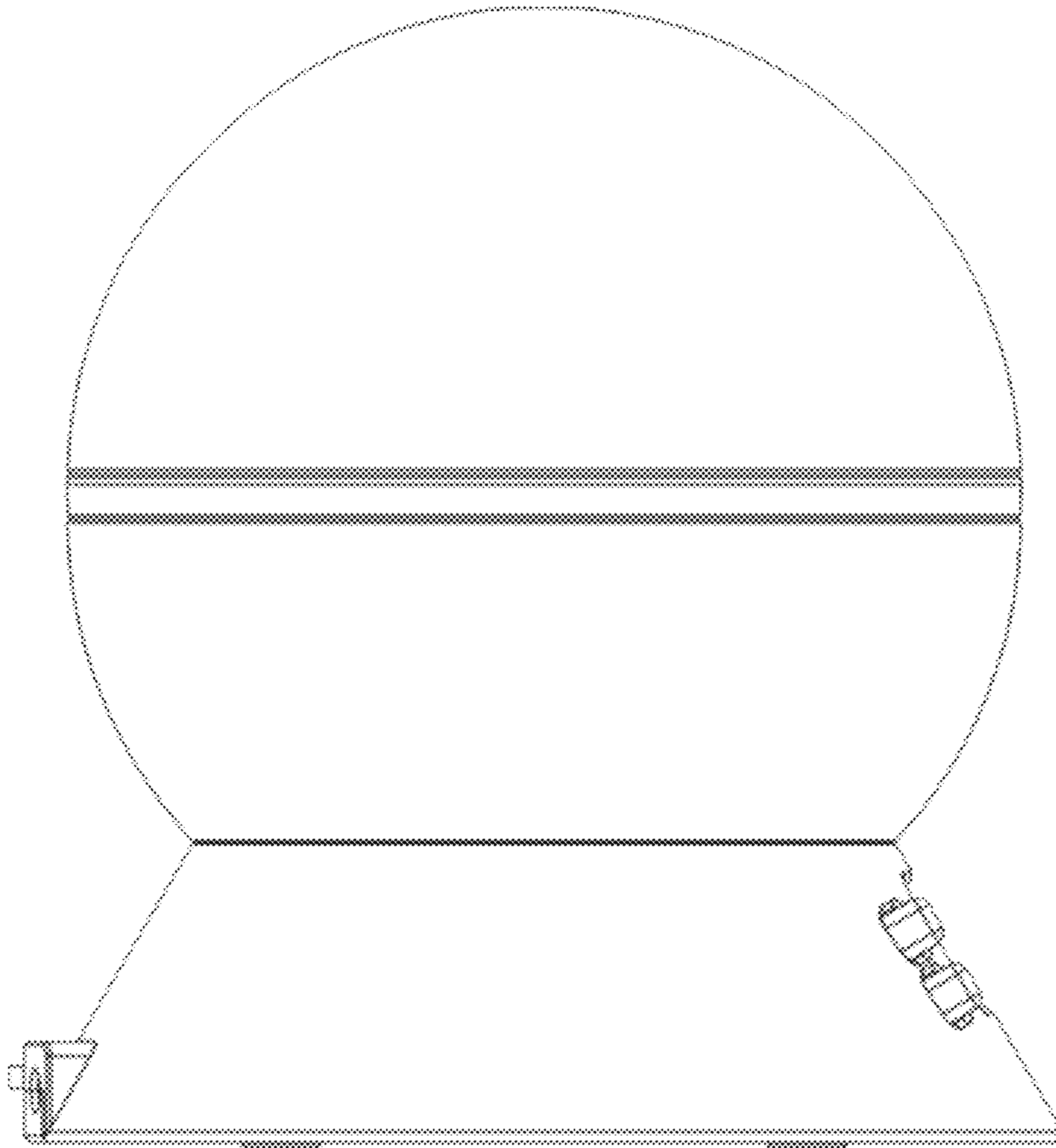


Figure 3

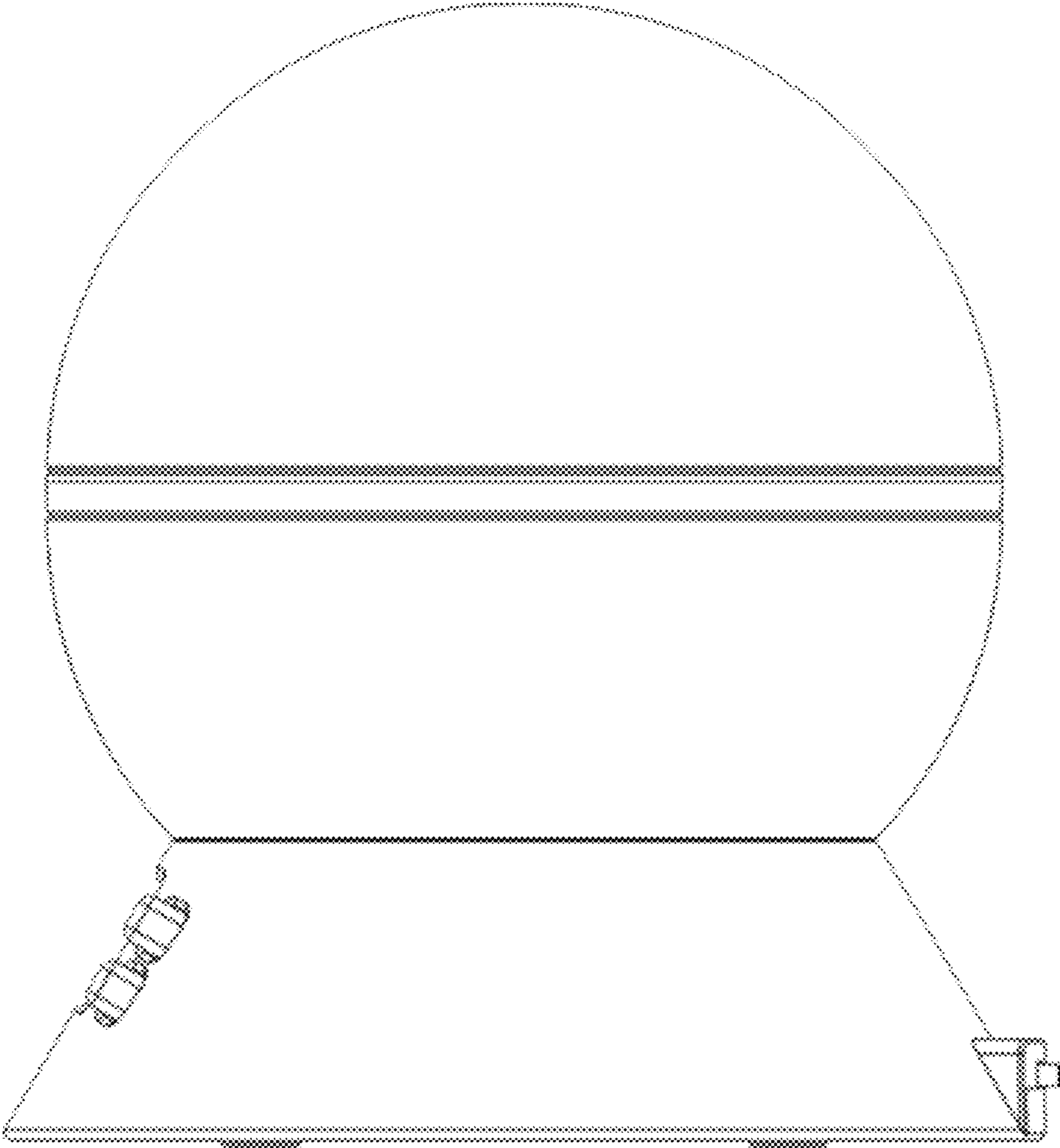


Figure 4

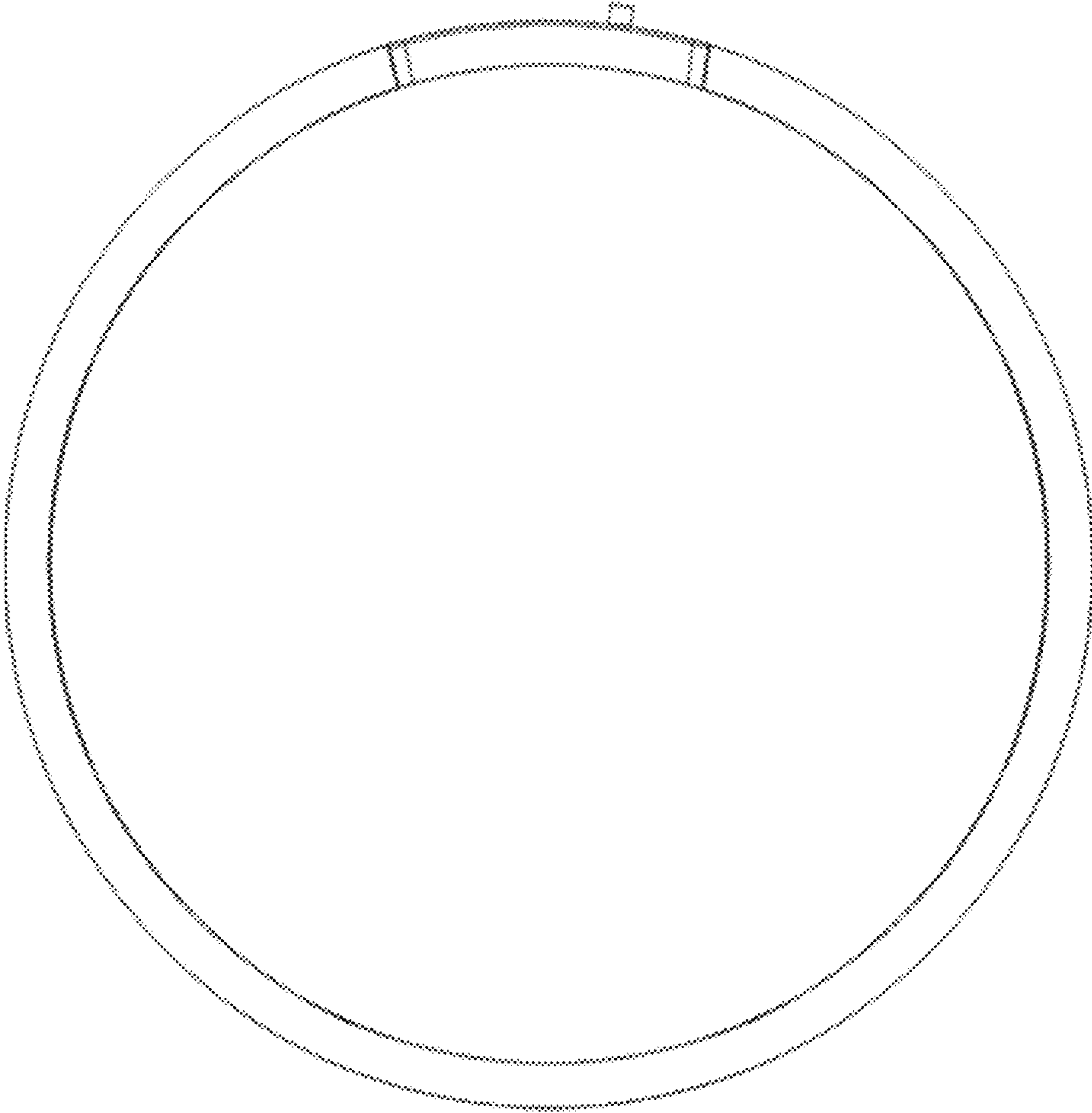


Figure 5

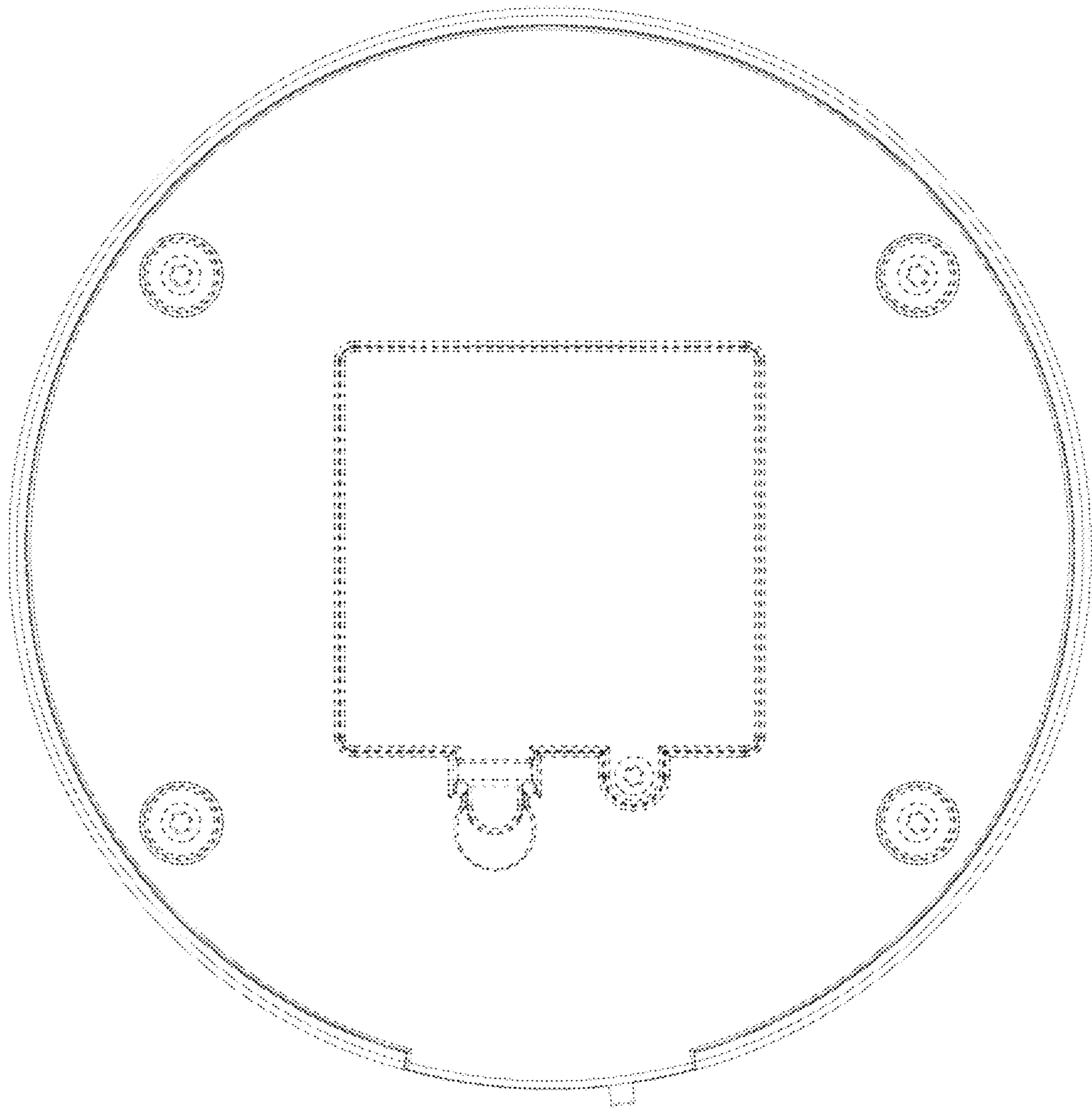


Figure 6



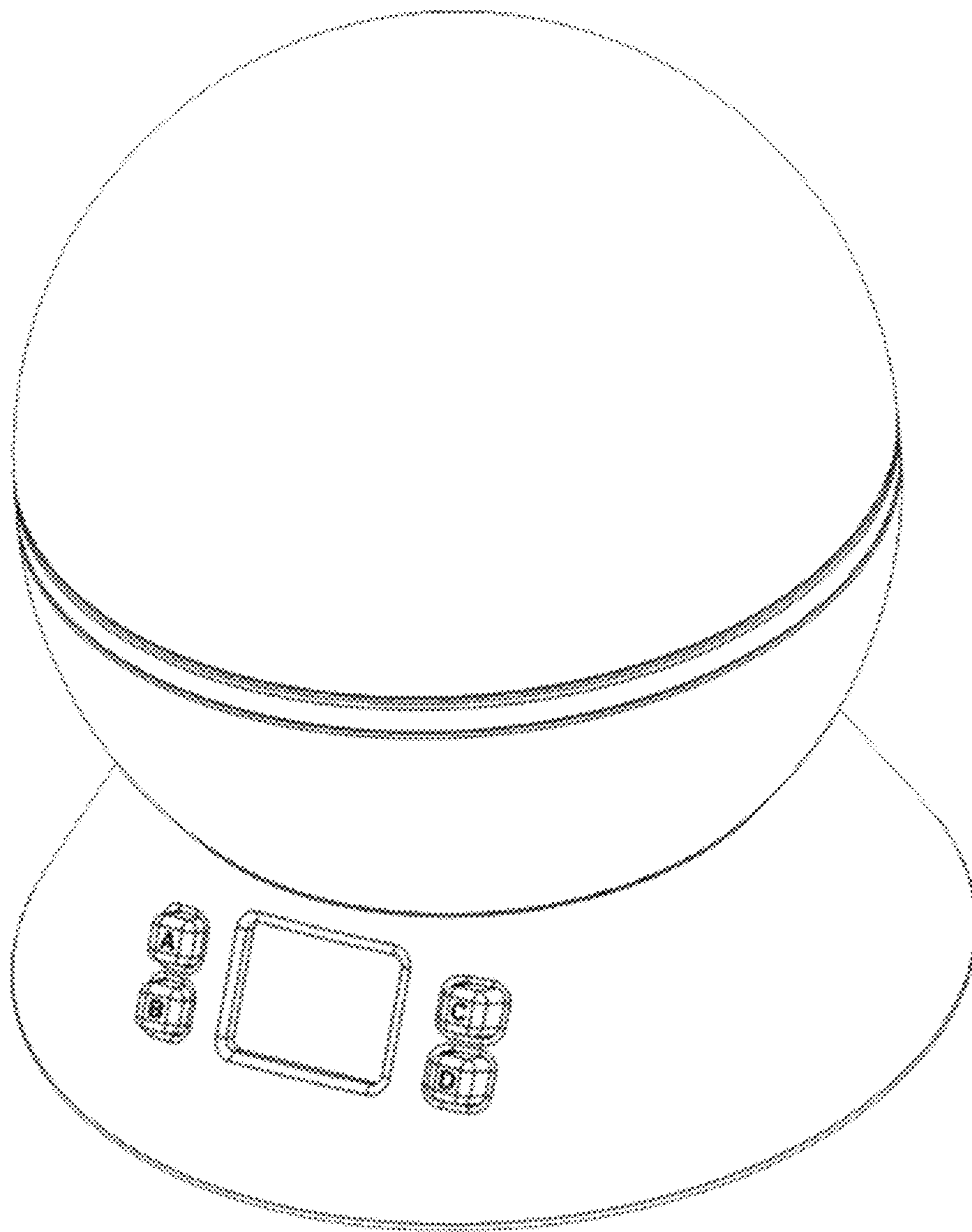


Figure 7