



US00D829959S

(12) **United States Design Patent**
Amato et al.

(10) **Patent No.:** **US D829,959 S**
(45) **Date of Patent:** **** Oct. 2, 2018**

(54) **LIGHTING FIXTURE**

(71) Applicant: **The Urban Electric Company**, North Charleston, SC (US)

(72) Inventors: **Michael Amato**, Johns Island, SC (US); **David Dawson**, Charleston, SC (US); **Jonathan Charpia**, Summerville, SC (US); **Christopher Roof**, Charleston, SC (US); **Joeangel Casanova**, North Charleston, SC (US); **Courteney Salsbury**, Mount Pleasant, SC (US); **Brianna Magagnoli**, Charleston, SC (US)

(73) Assignee: **The Urban Electric Company**, North Charleston, SC (US)

(**) Term: **15 Years**

(21) Appl. No.: **29/580,981**

(22) Filed: **Oct. 14, 2016**

(51) **LOC (11) Cl.** **26-03**

(52) **U.S. Cl.**
USPC **D26/89**

(58) **Field of Classification Search**
USPC D26/72, 85, 88, 89
CPC F21S 8/03; F21S 8/04; F21S 8/043; F21S 8/046; F21S 8/068
See application file for complete search history.

(56) **References Cited**

U.S. PATENT DOCUMENTS

D22,227 S * 2/1893 McEvoy D26/72
D62,763 S * 7/1923 Villaret D26/85

D63,520 S * 12/1923 Warman D26/72
D67,177 S * 4/1925 Wolter D26/72
D67,323 S * 5/1925 Wolter D26/72
D69,668 S * 3/1926 Ostwald D26/72
D77,815 S * 2/1929 Dahl D26/72
D89,889 S * 5/1933 Grier D26/72
D796,720 S * 9/2017 Bo D26/72

OTHER PUBLICATIONS

Bishop ceiling fixture from The Urban Electric Company. (c)2016. (Year: 2016).*

* cited by examiner

Primary Examiner — Clare E Heflin

(74) *Attorney, Agent, or Firm* — Jeffrey T. Stover; Haynsworth Sinkler Boyd, P.A.

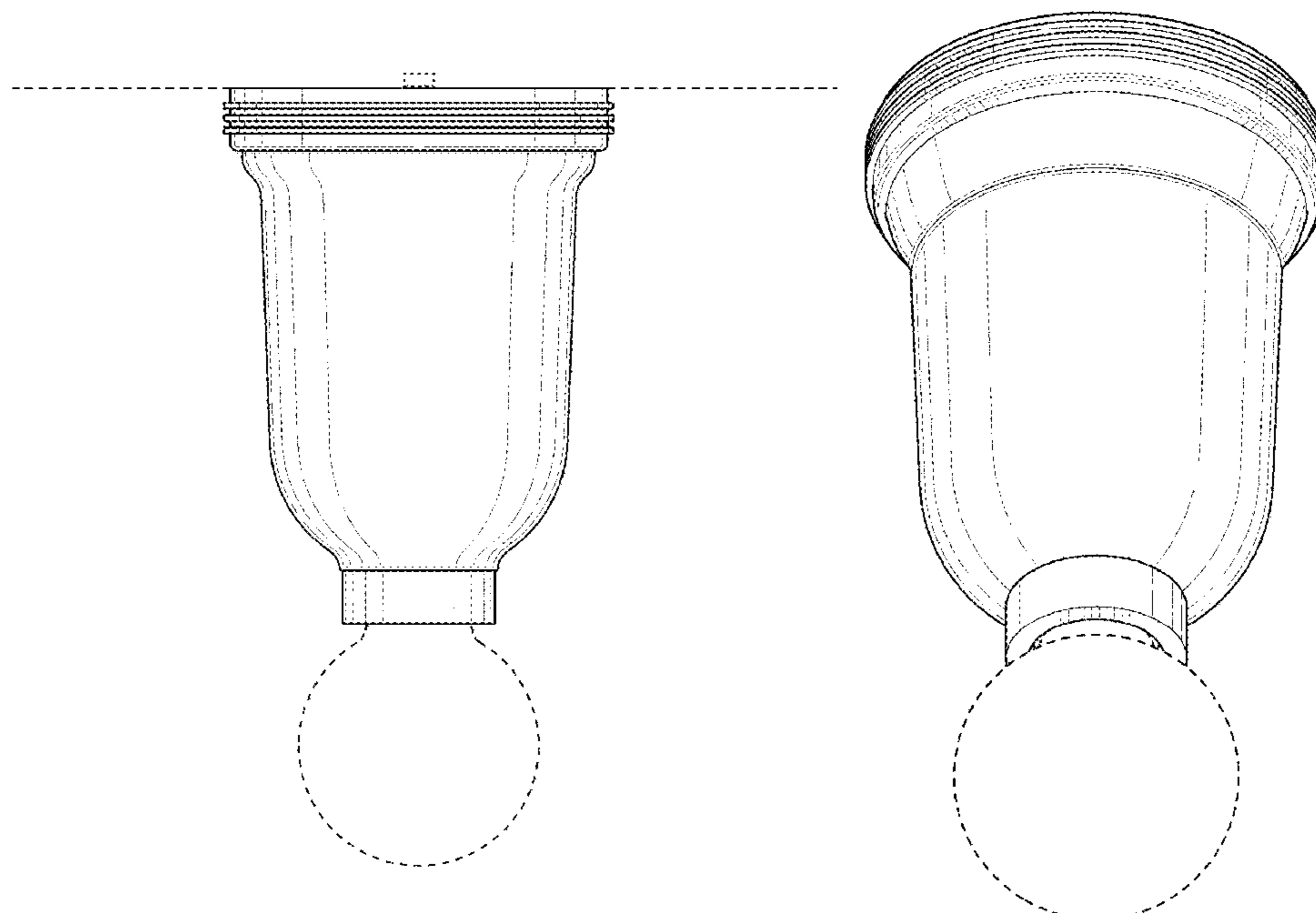
(57) **CLAIM**

The ornamental design for a lighting fixture, as shown and described.

DESCRIPTION

FIG. 1 is a top perspective view of a lighting fixture showing the new design;
FIG. 2 is a front elevational view thereof;
FIG. 3 is a back elevational view thereof.
FIG. 4 is a right side elevational view thereof;
FIG. 5 is a left side elevational view thereof;
FIG. 6 is a top plan view thereof;
FIG. 7 is a bottom plan view thereof; and,
FIG. 8 is a bottom perspective view thereof.
The broken lines shown on the drawings are understood to represent environmental structure that is not considered part of the claimed design.

1 Claim, 8 Drawing Sheets



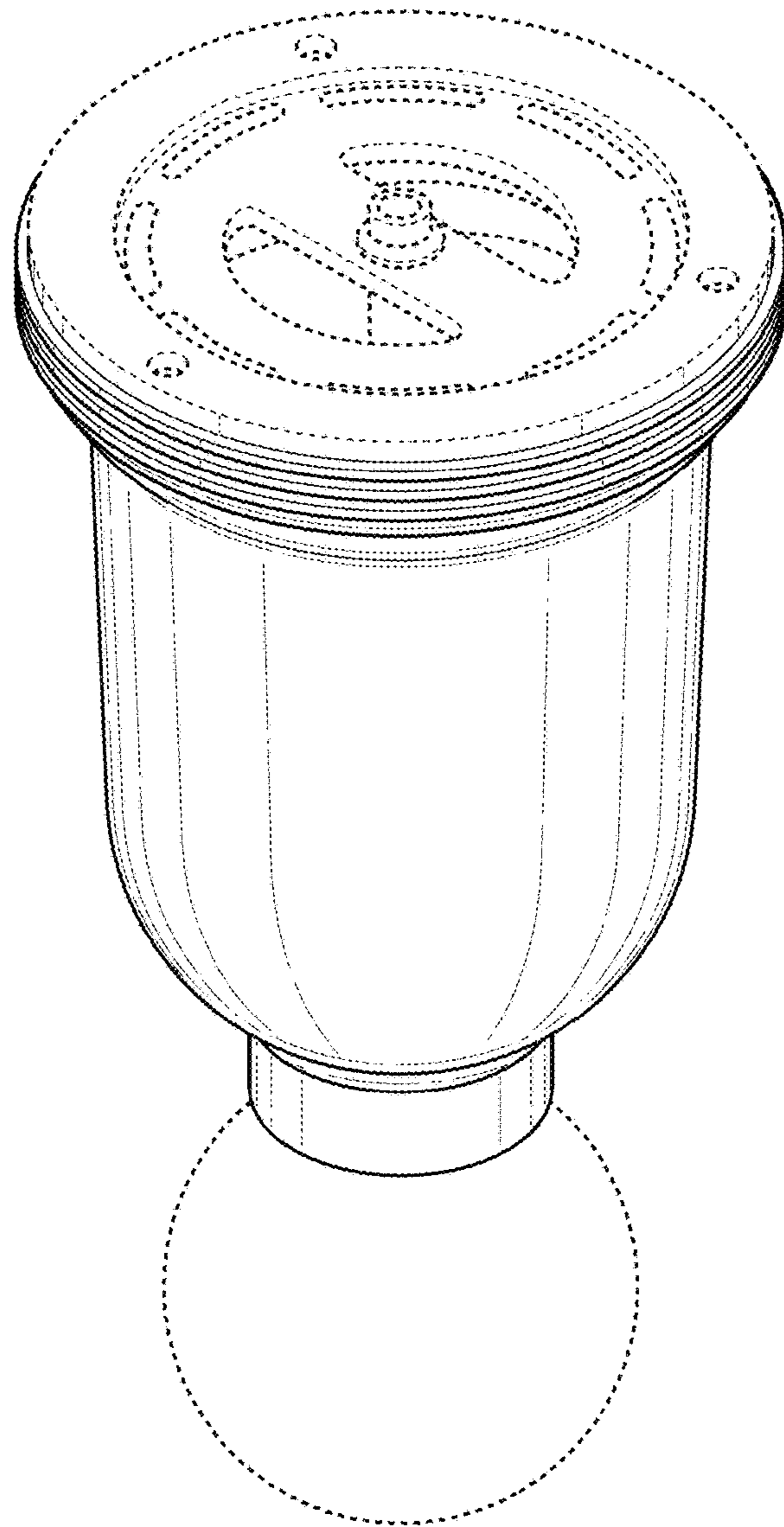


FIG. 1

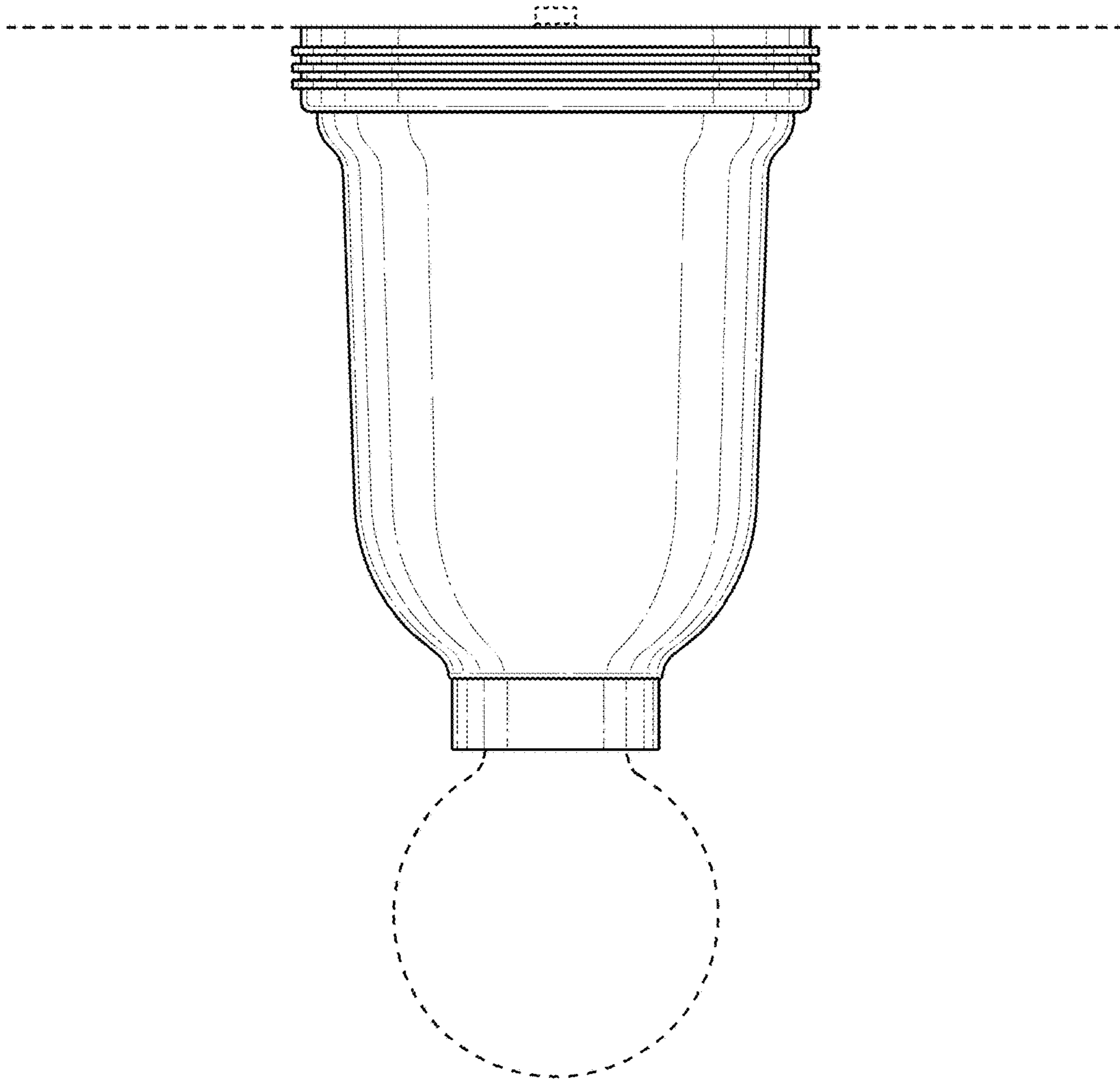


FIG. 2

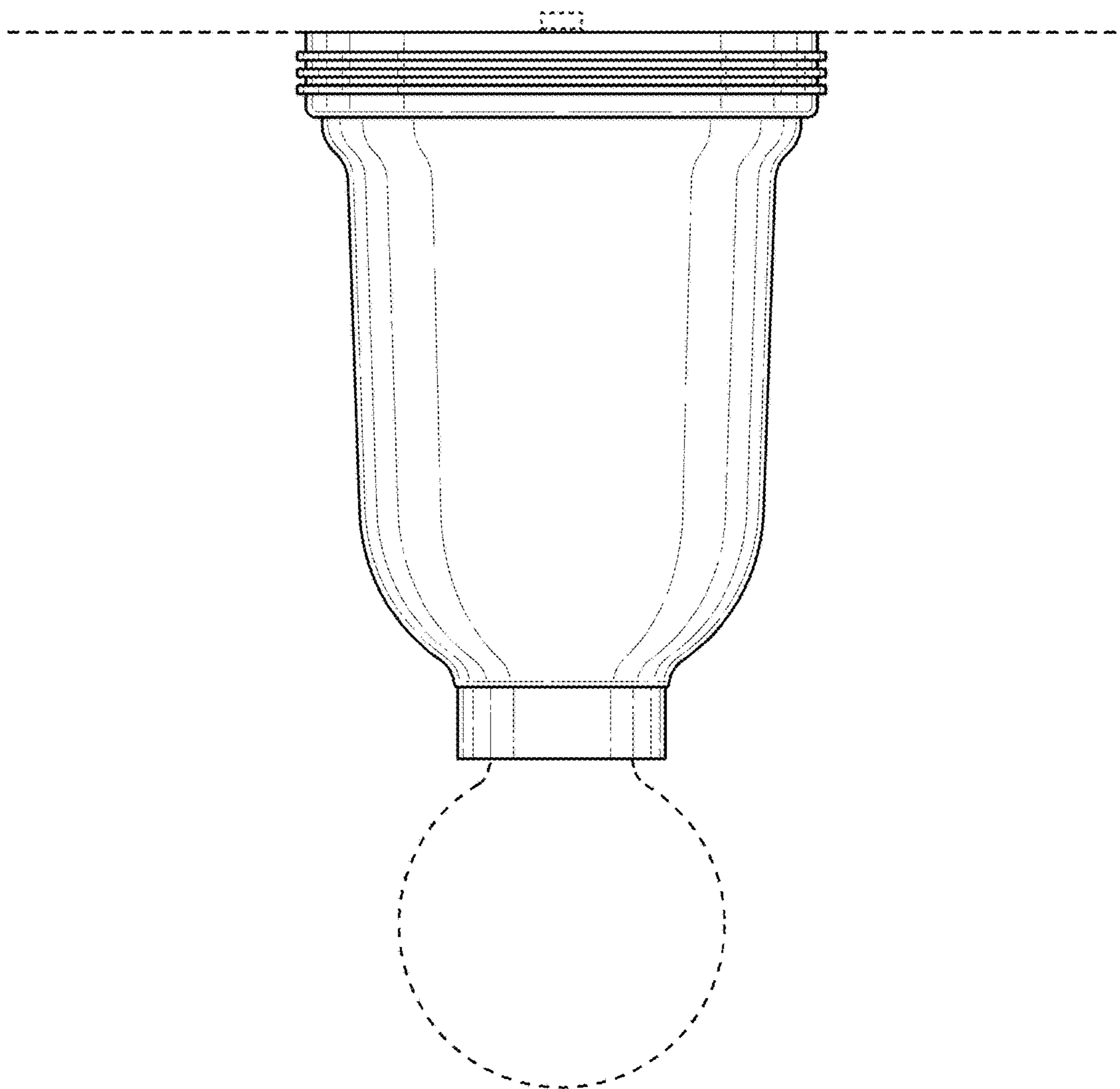


FIG. 3

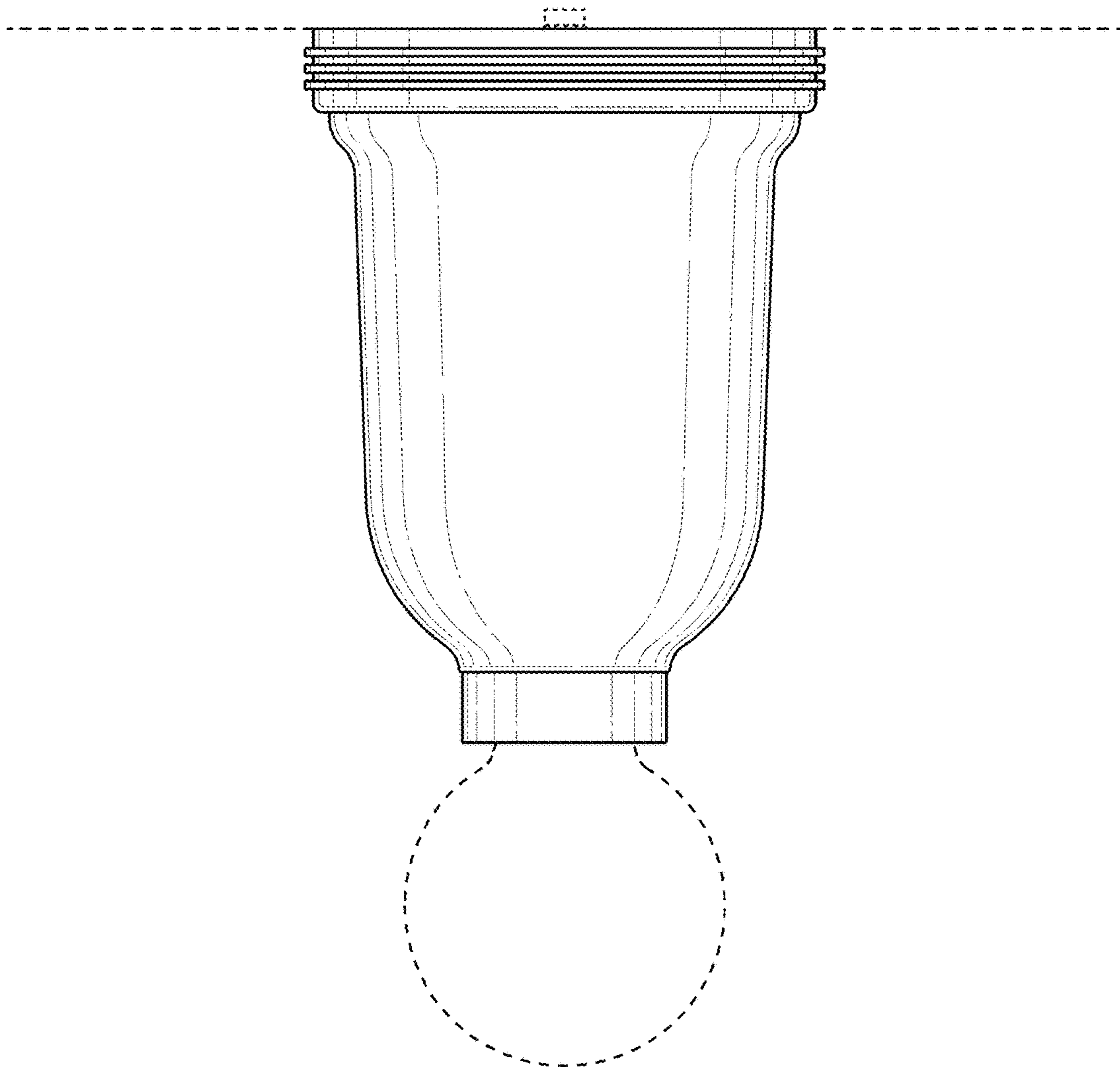


FIG. 4

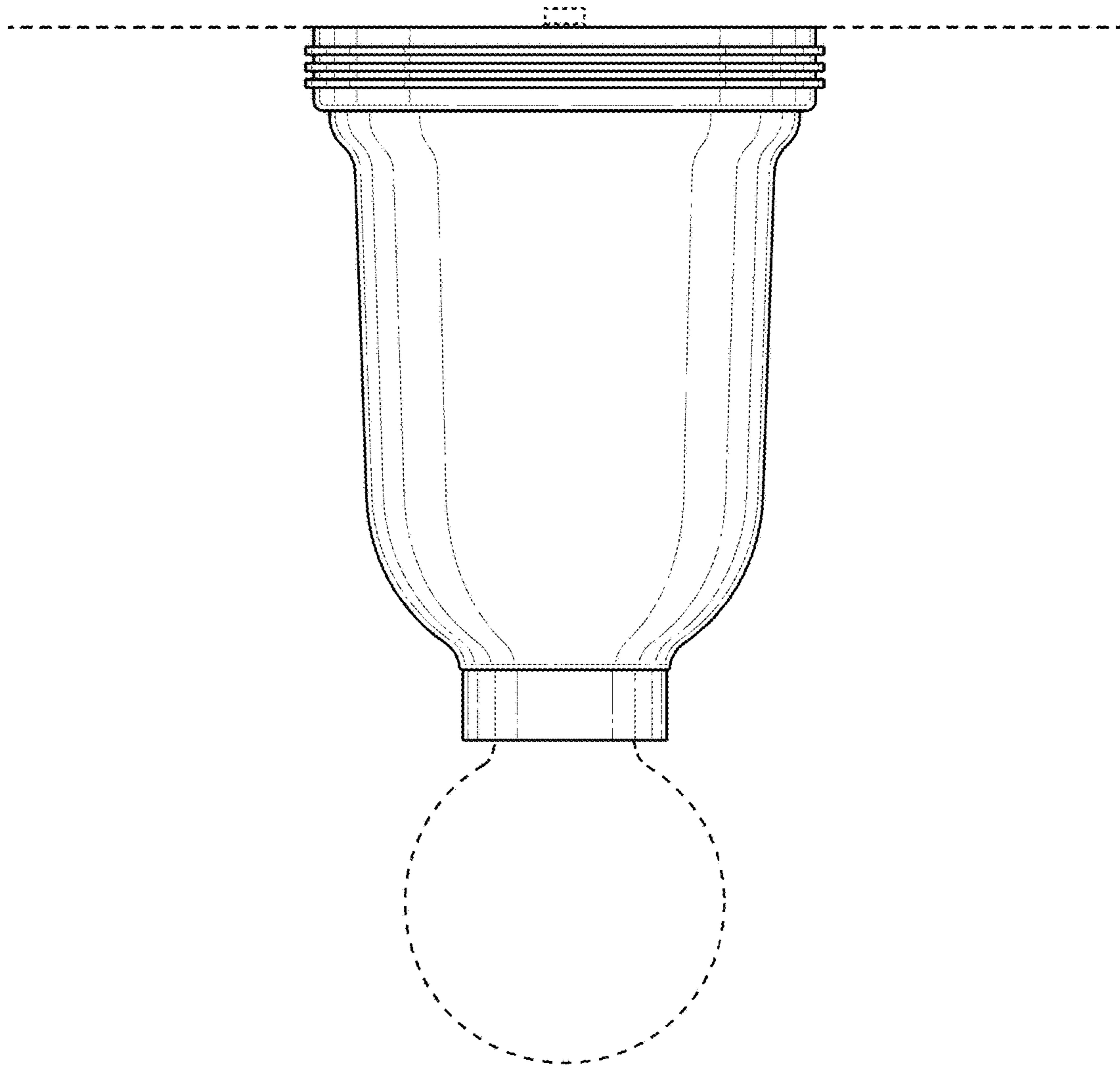


FIG. 5

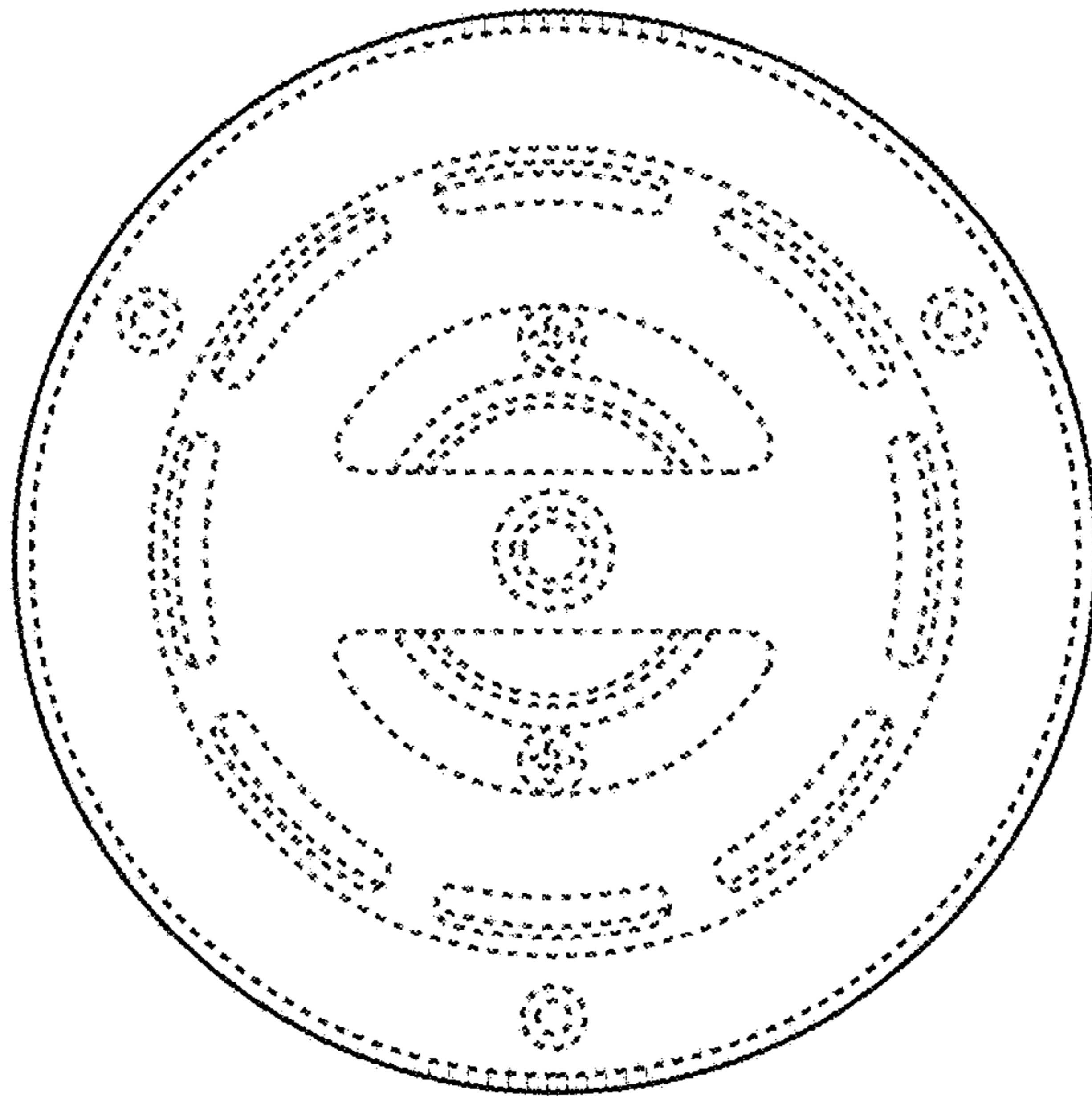


FIG. 6

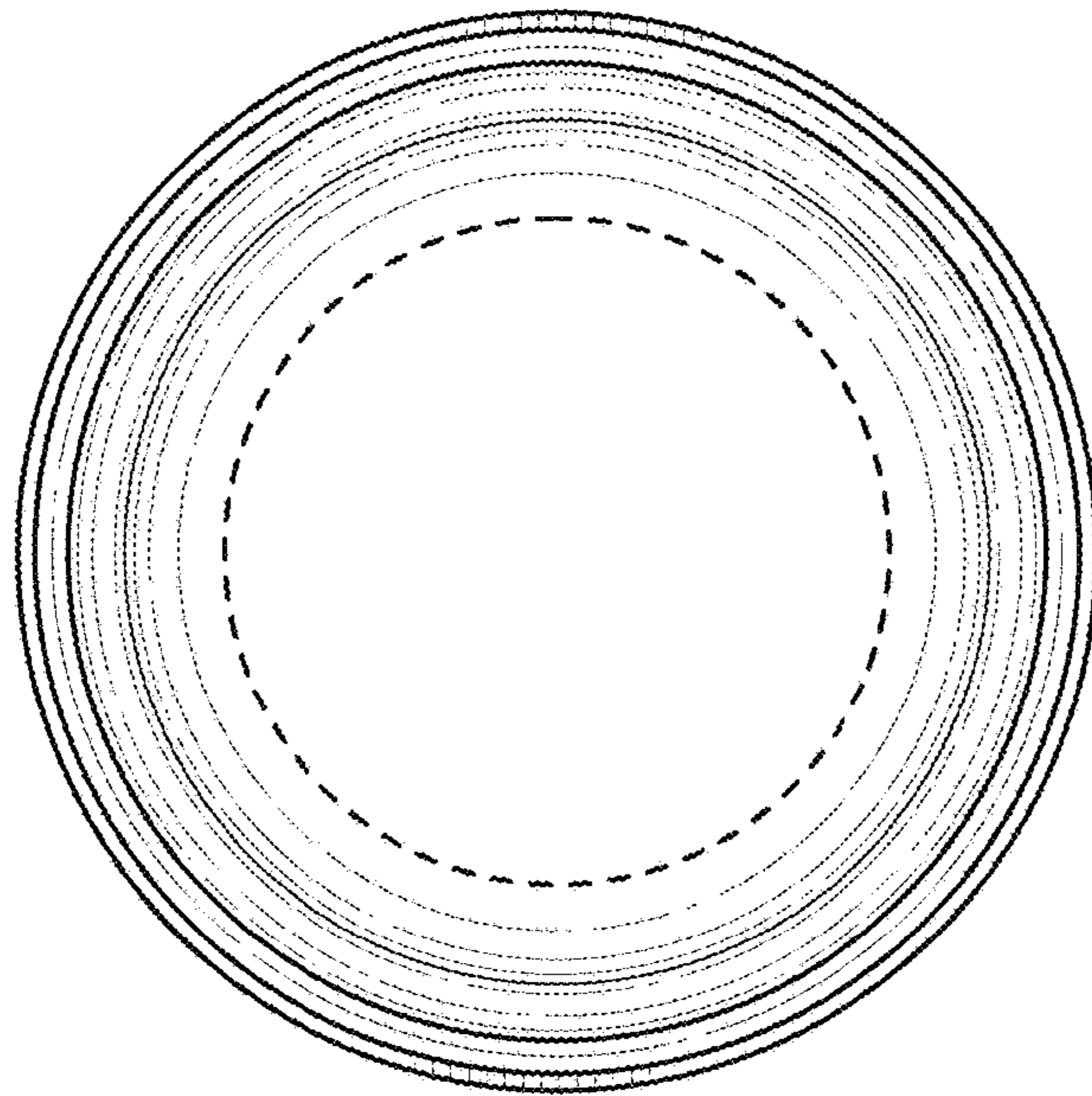


FIG. 7

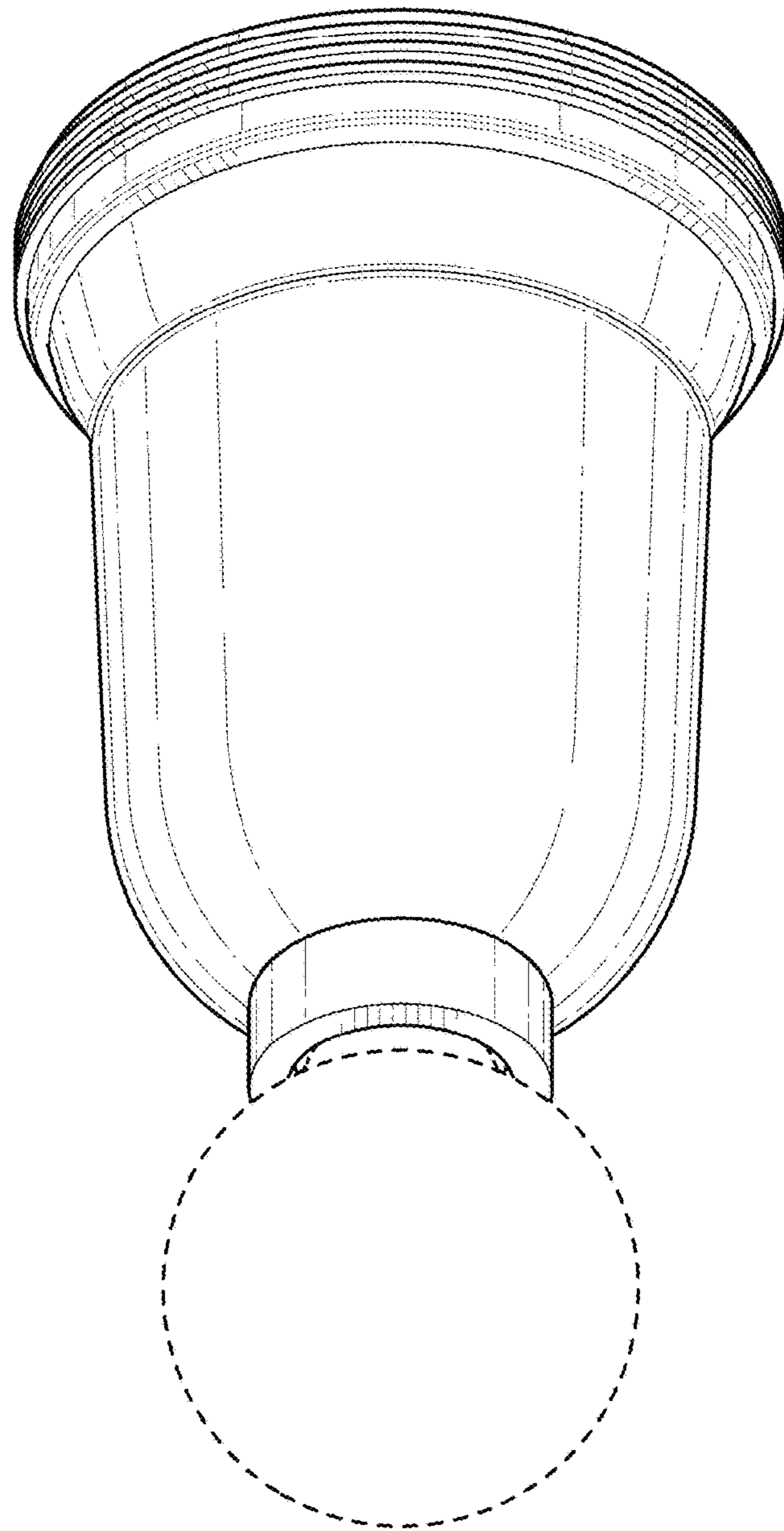


FIG. 8