



US00D829957S

(12) **United States Design Patent**  
**Sonneman**

(10) **Patent No.:** **US D829,957 S**

(45) **Date of Patent:** **\*\* Oct. 2, 2018**

(54) **LIGHT FIXTURE**

(71) Applicant: **Contemporary Visions, LLC**,  
Larchmont, NY (US)

(72) Inventor: **Robert A. Sonneman**, Mamaroneck,  
NY (US)

(73) Assignee: **CONTEMPORARY VISIONS, LLC**,  
Larchmont, NY (US)

(\*\*) Term: **15 Years**

(21) Appl. No.: **29/628,790**

(22) Filed: **Dec. 7, 2017**

(51) **LOC (11) Cl.** ..... **26-03**

(52) **U.S. Cl.**  
USPC ..... **D26/87**; D26/85

(58) **Field of Classification Search**  
USPC ..... D26/72, 80, 82, 83, 85, 86, 87, 92  
CPC .. F21S 8/033; F21S 8/035; F21S 8/036; F21S  
8/037

See application file for complete search history.

(56) **References Cited**

**U.S. PATENT DOCUMENTS**

D152,994 S *	3/1949	McCann	.....	D26/87
D442,317 S *	5/2001	Crosby	.....	D26/87
D448,881 S *	10/2001	Lin	.....	D26/155
D557,442 S *	12/2007	Niemier	.....	D26/76
D676,997 S *	2/2013	Tang	.....	D26/87
D681,255 S *	4/2013	Bickler	.....	D26/85
D724,776 S *	3/2015	Sonneman	.....	D26/85
D742,576 S *	11/2015	Blum	.....	D26/87
D744,691 S *	12/2015	Kitts	.....	D26/85
D782,099 S *	3/2017	Orozco	.....	D26/85
D797,345 S	9/2017	Sonneman		
D799,097 S *	10/2017	Sonneman	.....	D26/85
D799,735 S *	10/2017	Sonneman	.....	D26/85

\* cited by examiner

*Primary Examiner* — Clare E Heflin

(74) *Attorney, Agent, or Firm* — Gottlieb, Rackman & Reisman, P.C.

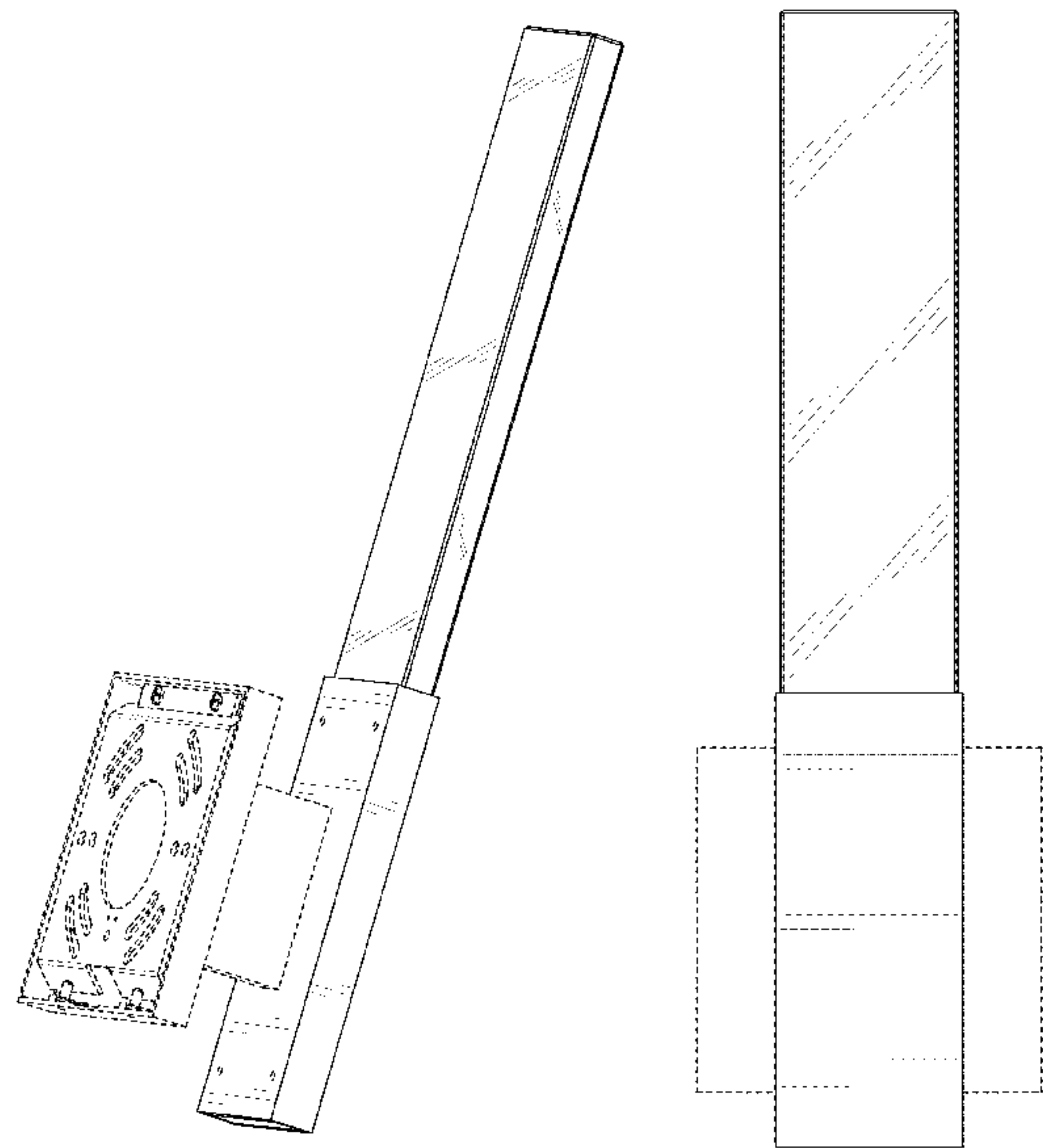
(57) **CLAIM**

The ornamental design for a light fixture, as shown and described.

**DESCRIPTION**

FIG. 1 is a first perspective view of a first embodiment of a light fixture showing my new design;  
 FIG. 2 is a second perspective view thereof;  
 FIG. 3 is a front elevational view thereof;  
 FIG. 4 is a rear elevational view thereof;  
 FIG. 5 is a right side elevational view thereof;  
 FIG. 6 is a left side elevational view thereof;  
 FIG. 7 is a top plan view thereof;  
 FIG. 8 is a bottom plan view thereof;  
 FIG. 9 is a first perspective view of a second embodiment of a light fixture showing my new design;  
 FIG. 10 is a second perspective view of the light fixture of FIG. 9;  
 FIG. 11 is a front elevational view of the light fixture of FIG. 9;  
 FIG. 12 is a rear elevational view of the light fixture of FIG. 9;  
 FIG. 13 is a right side elevational view of the light fixture of FIG. 9;  
 FIG. 14 is a left side elevational view of the light fixture of FIG. 9;  
 FIG. 15 is a top plan view of the light fixture of FIG. 9; and,  
 FIG. 16 is a bottom plan view of the light fixture of FIG. 9.  
 The broken lines shown in the drawings are included for the purpose of illustrating portions of the light fixture that form no part of the claimed design.

**1 Claim, 16 Drawing Sheets**



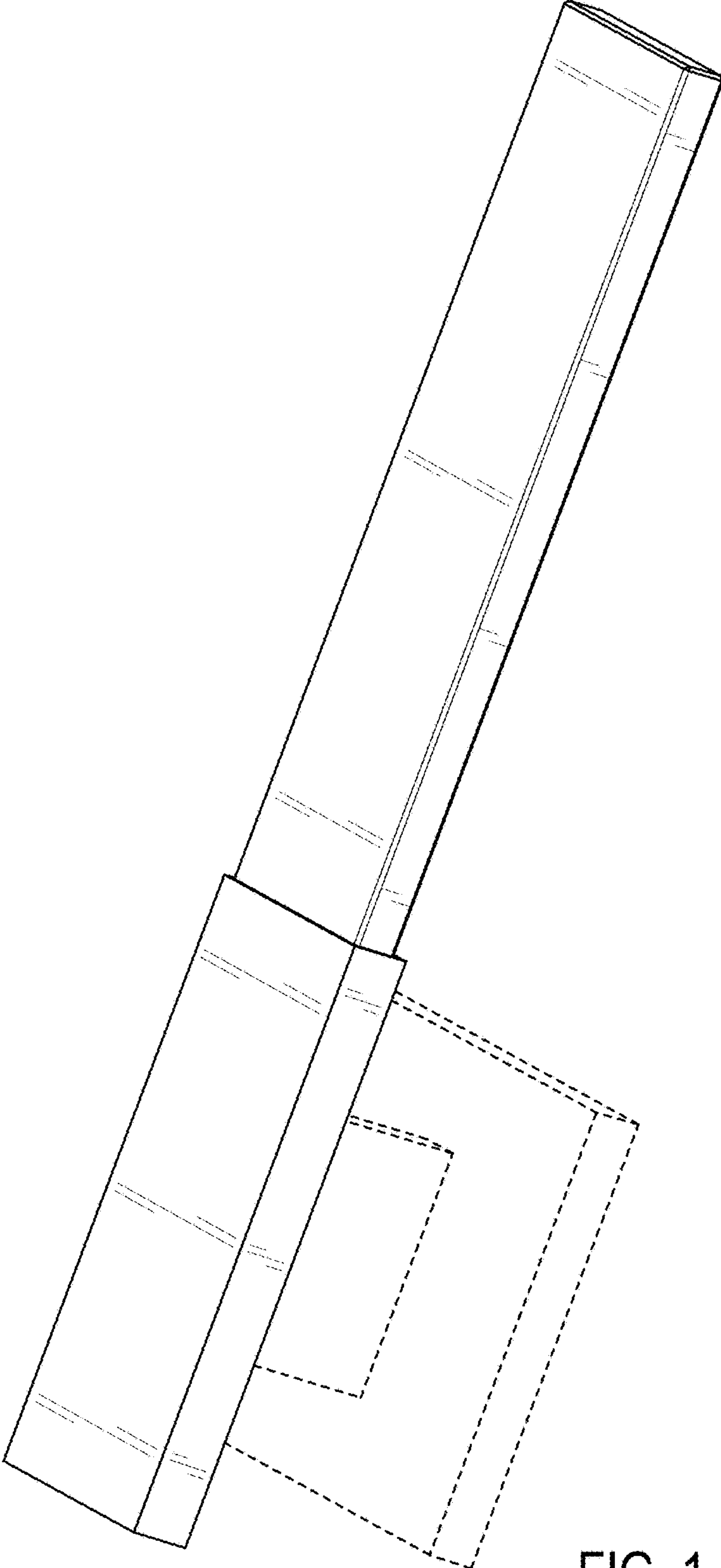


FIG. 1

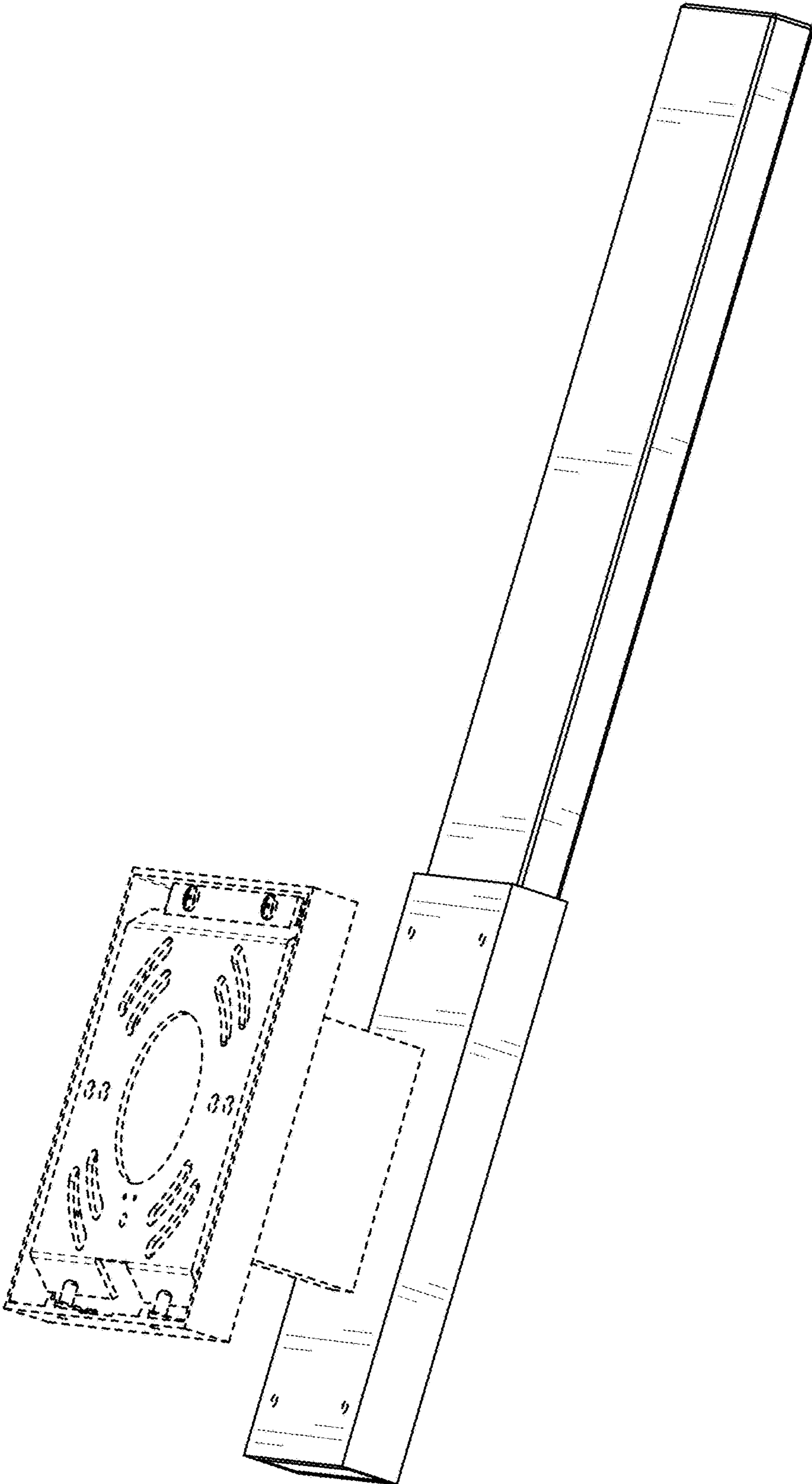


FIG. 2

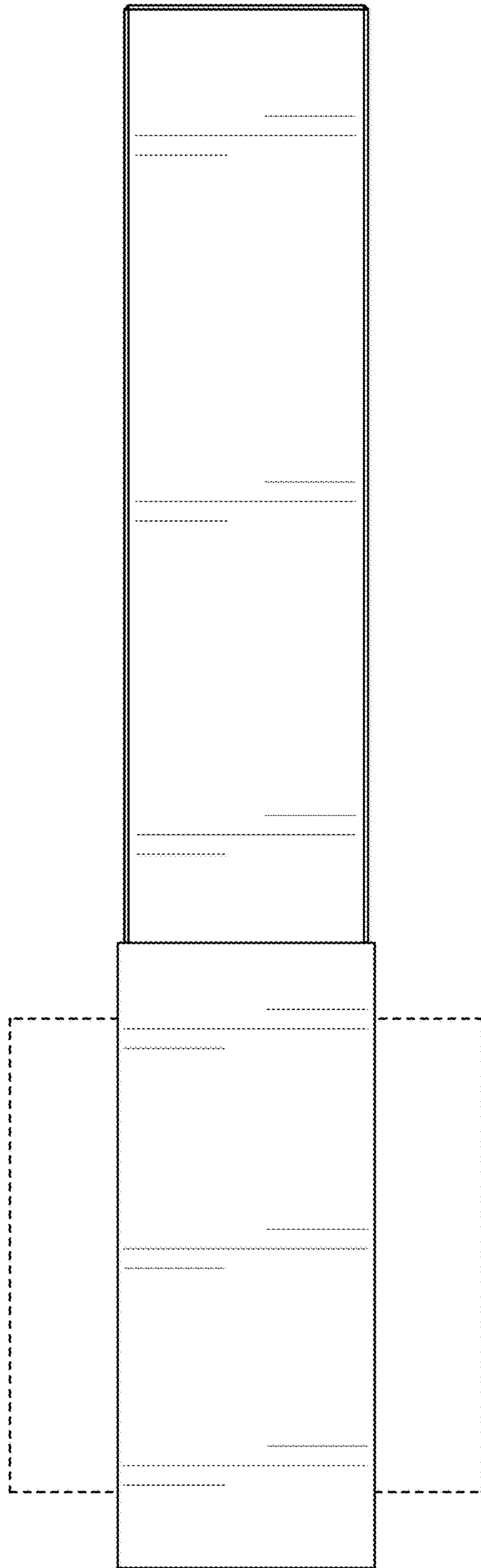


FIG. 3

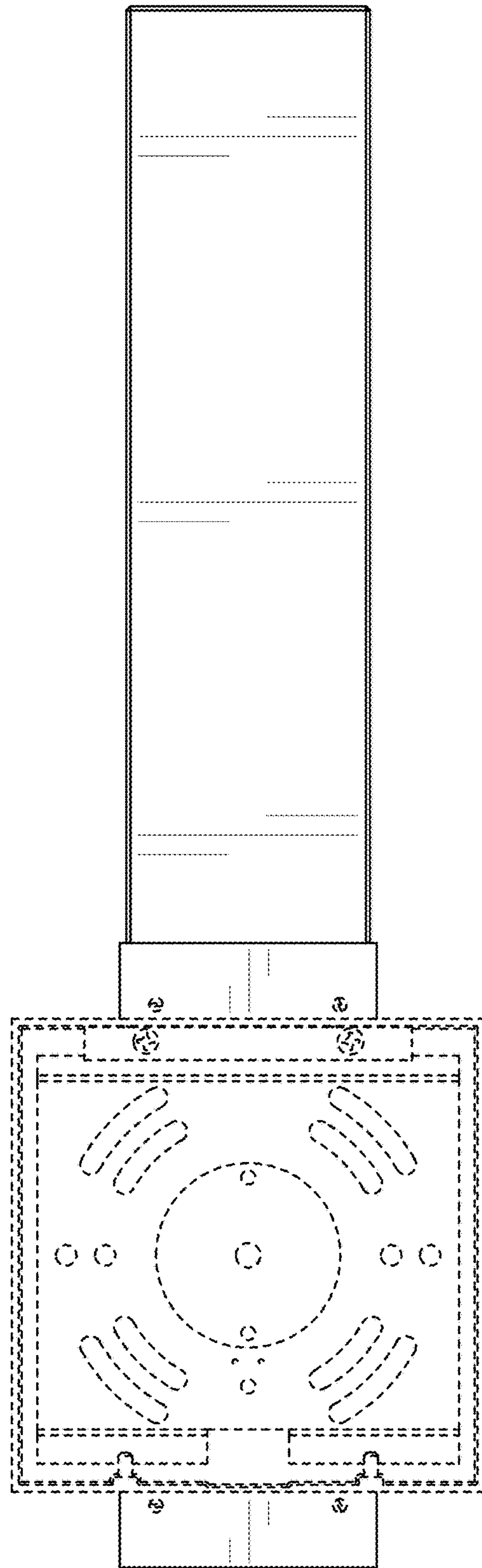


FIG. 4

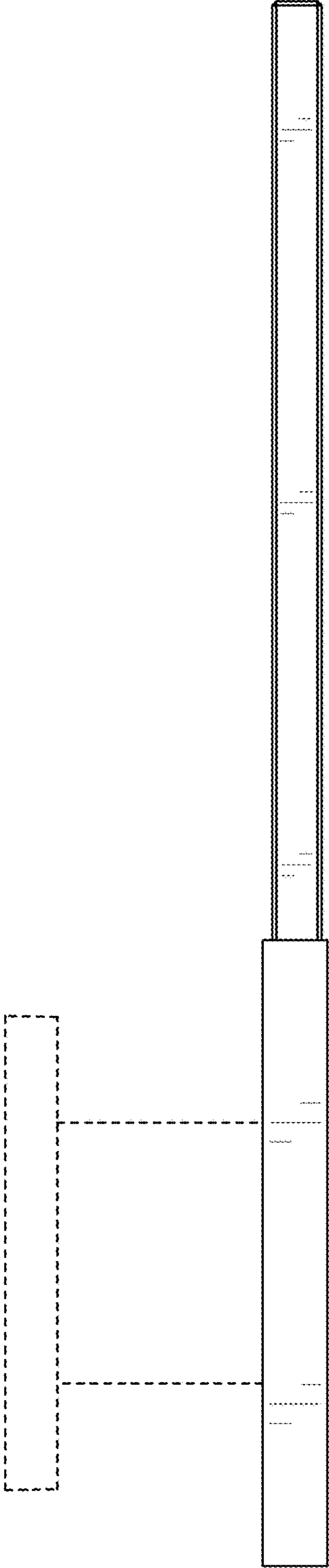


FIG. 5

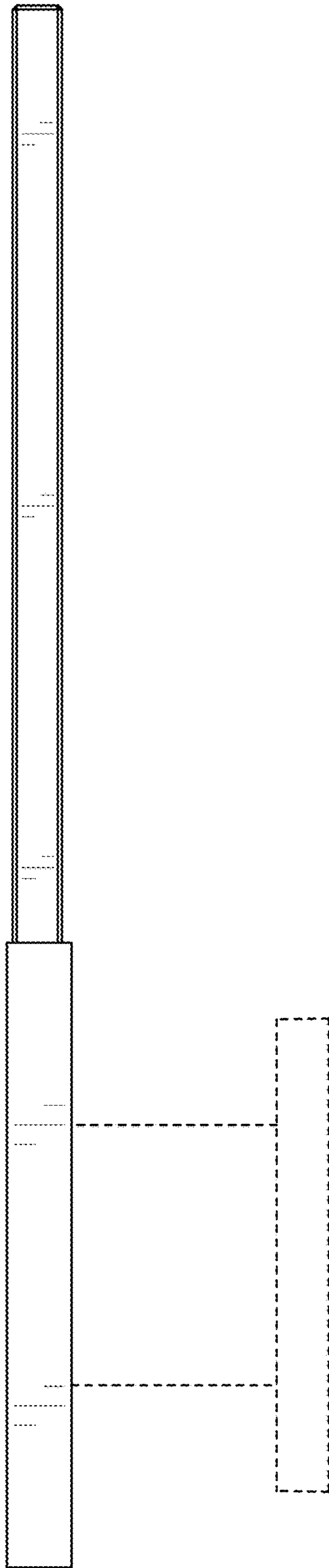


FIG. 6



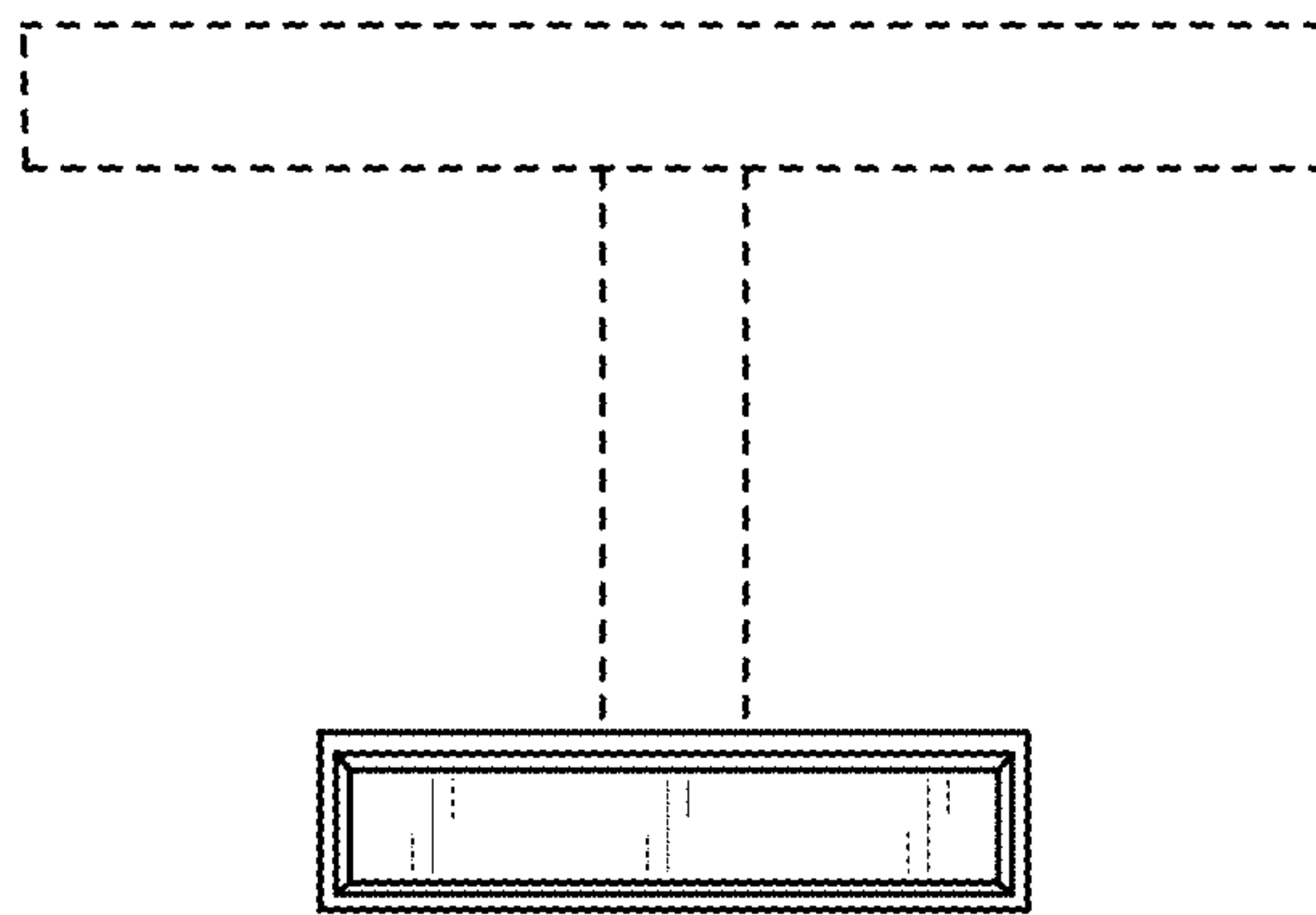


FIG. 7



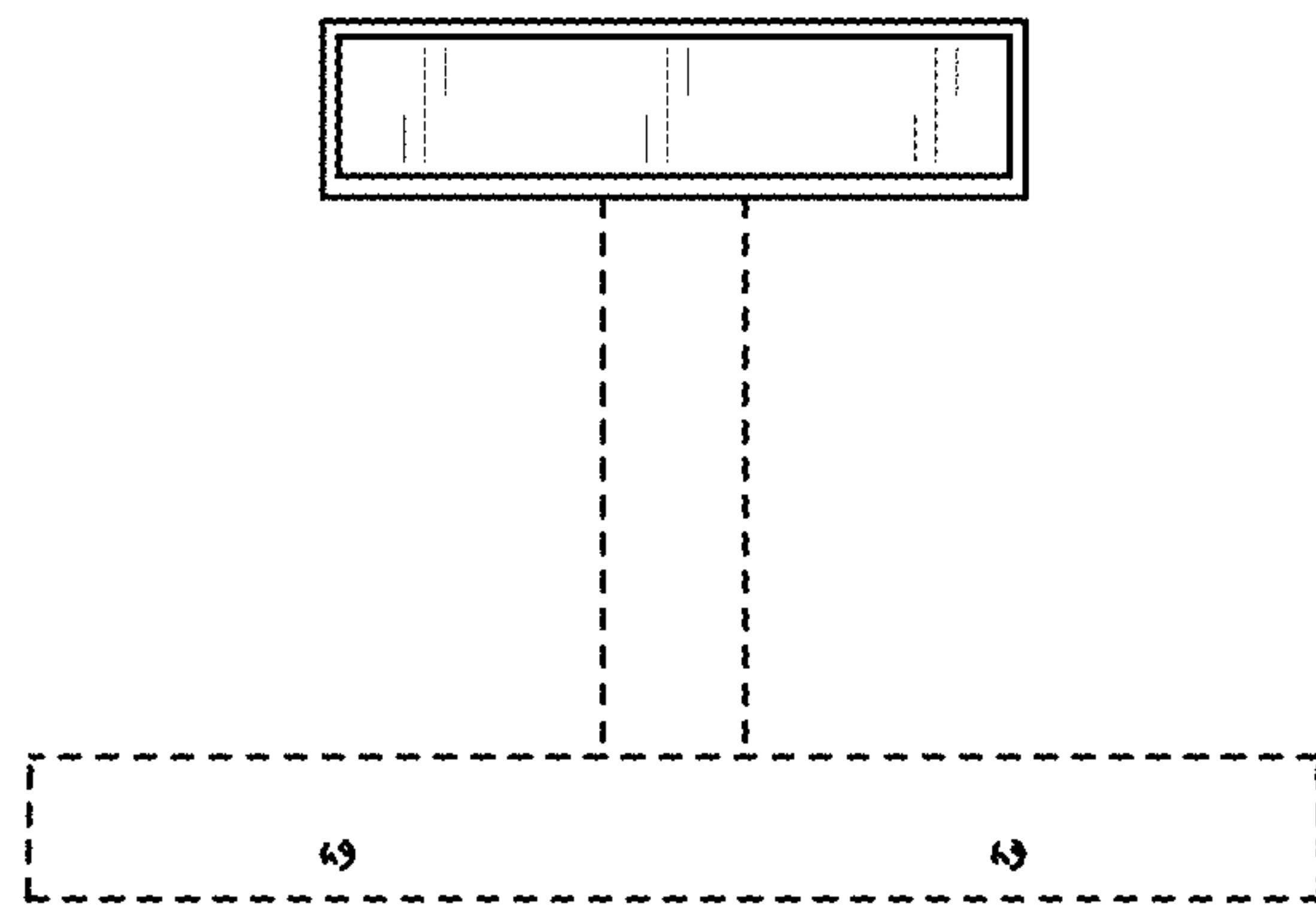


FIG. 8

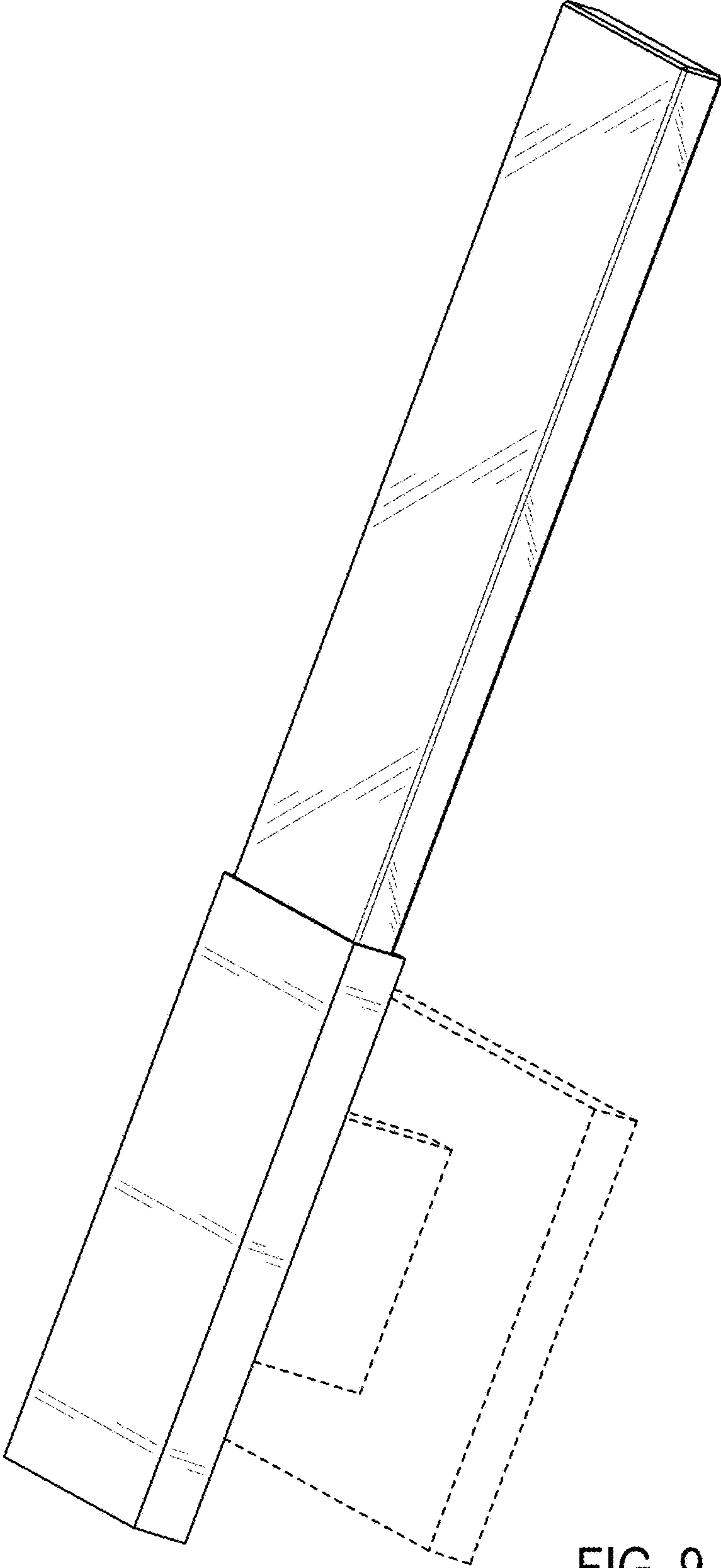


FIG. 9

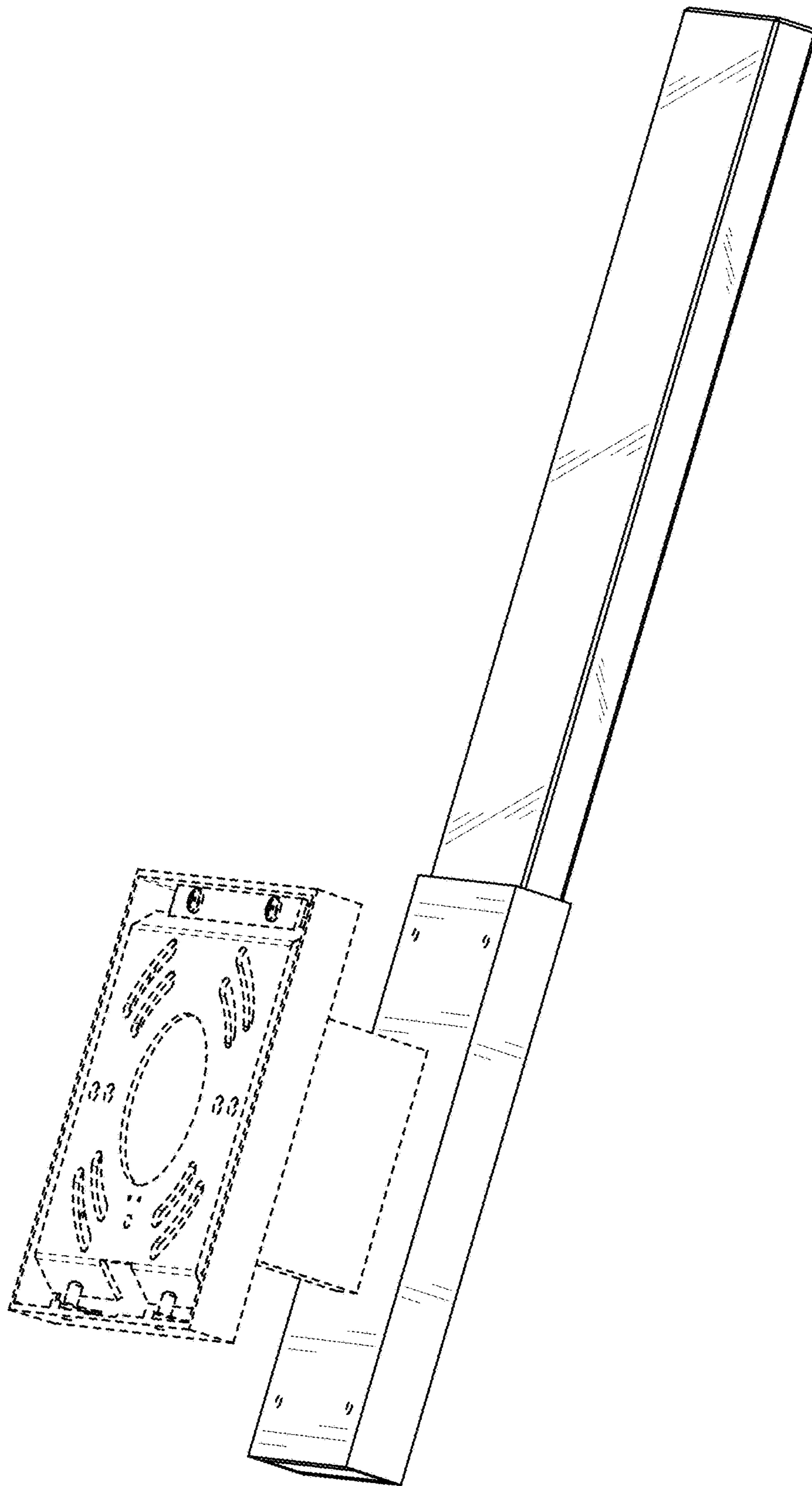


FIG. 10

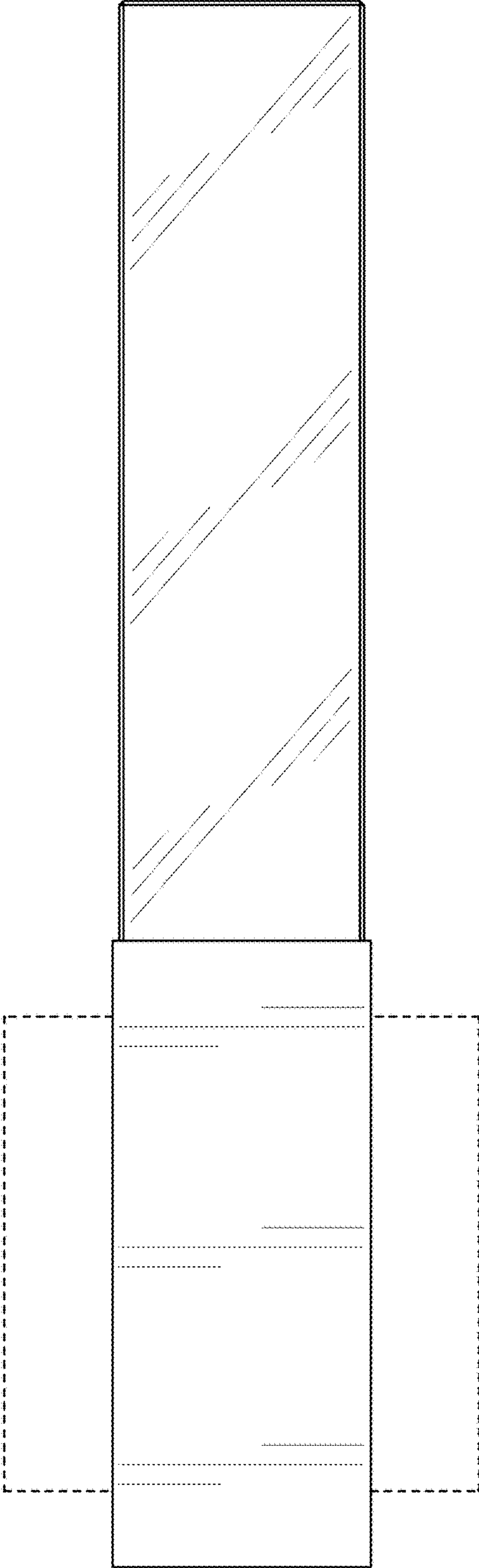


FIG. 11

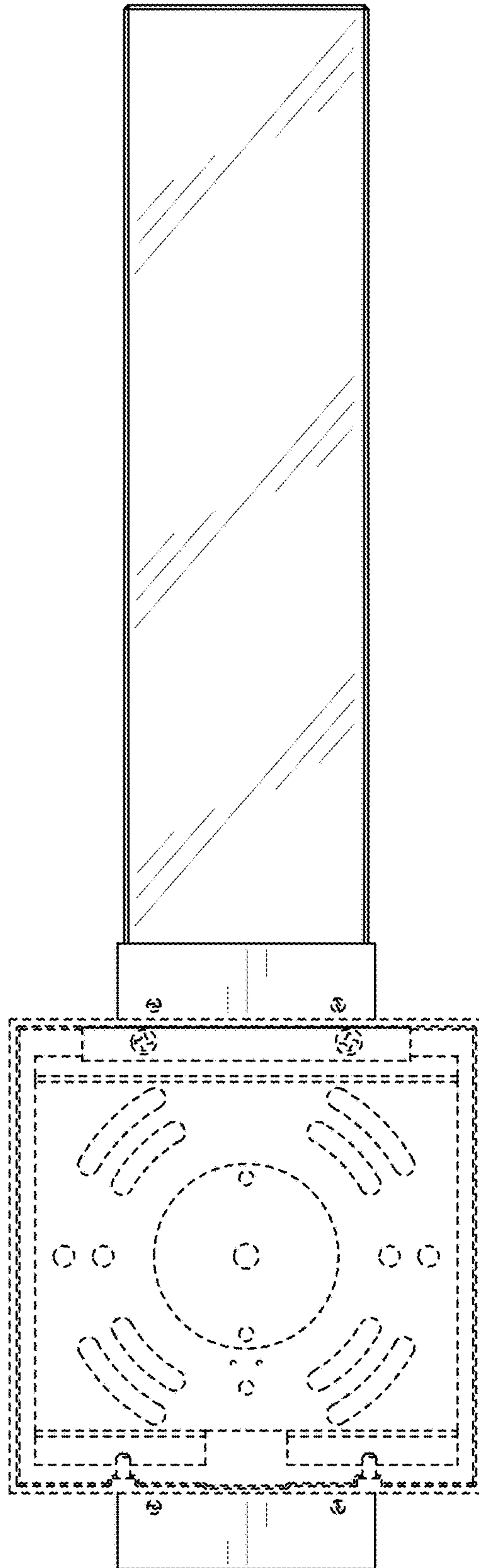


FIG. 12

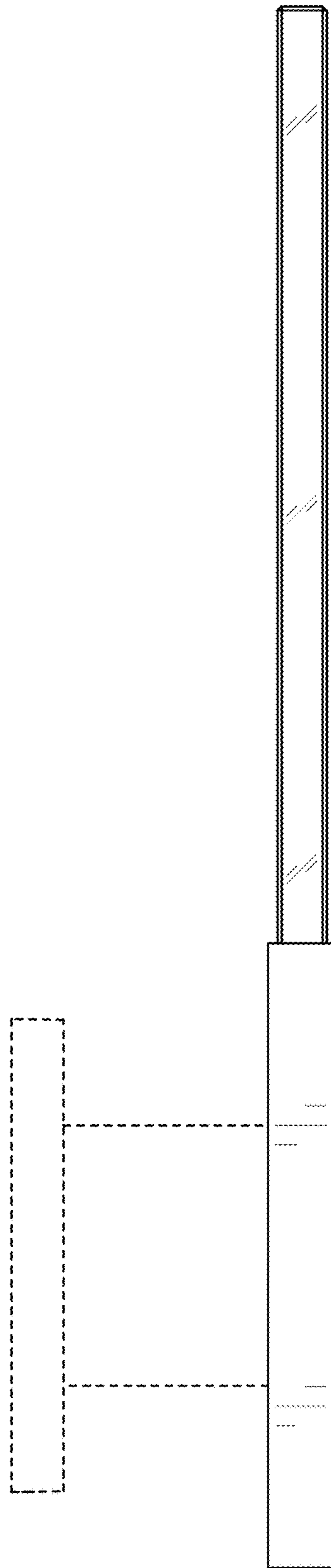


FIG. 13

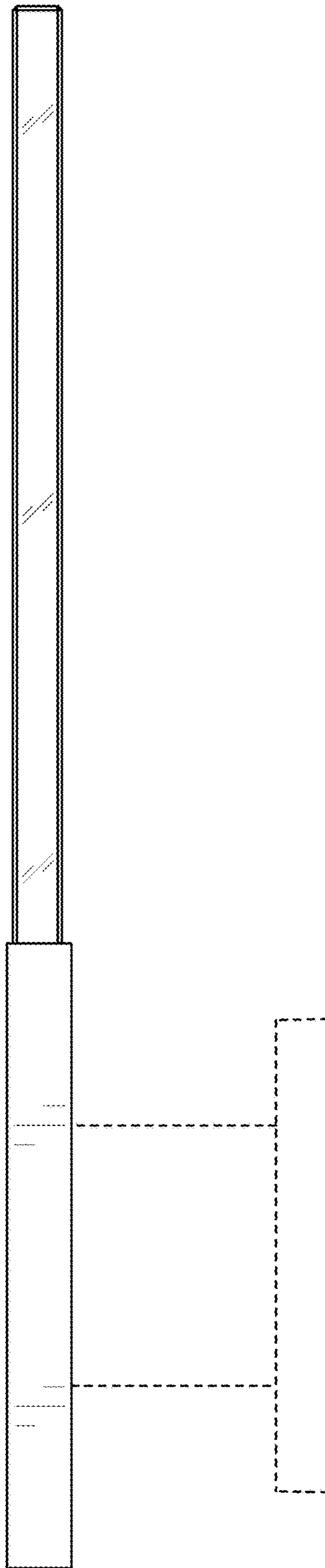


FIG. 14



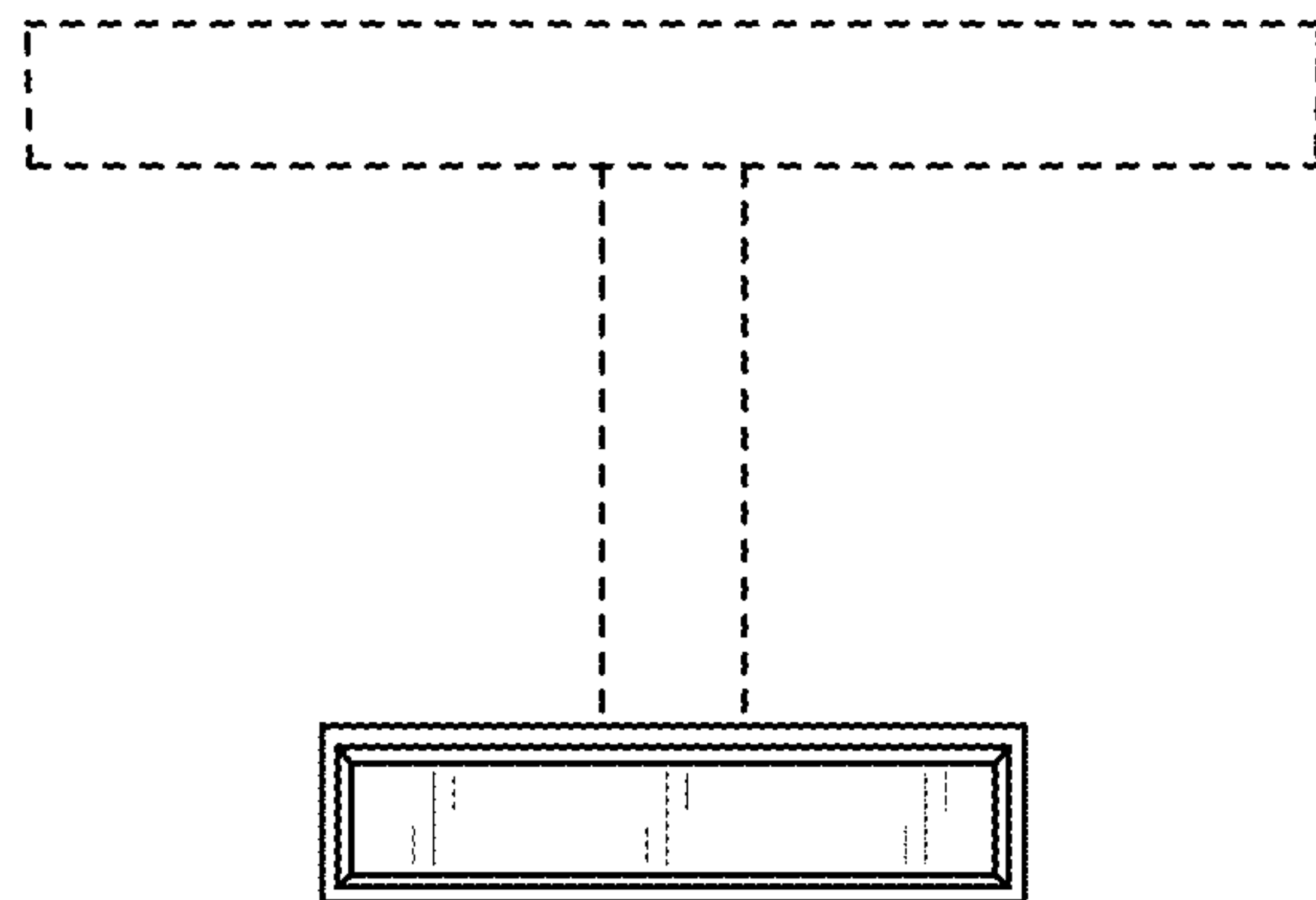


FIG. 15

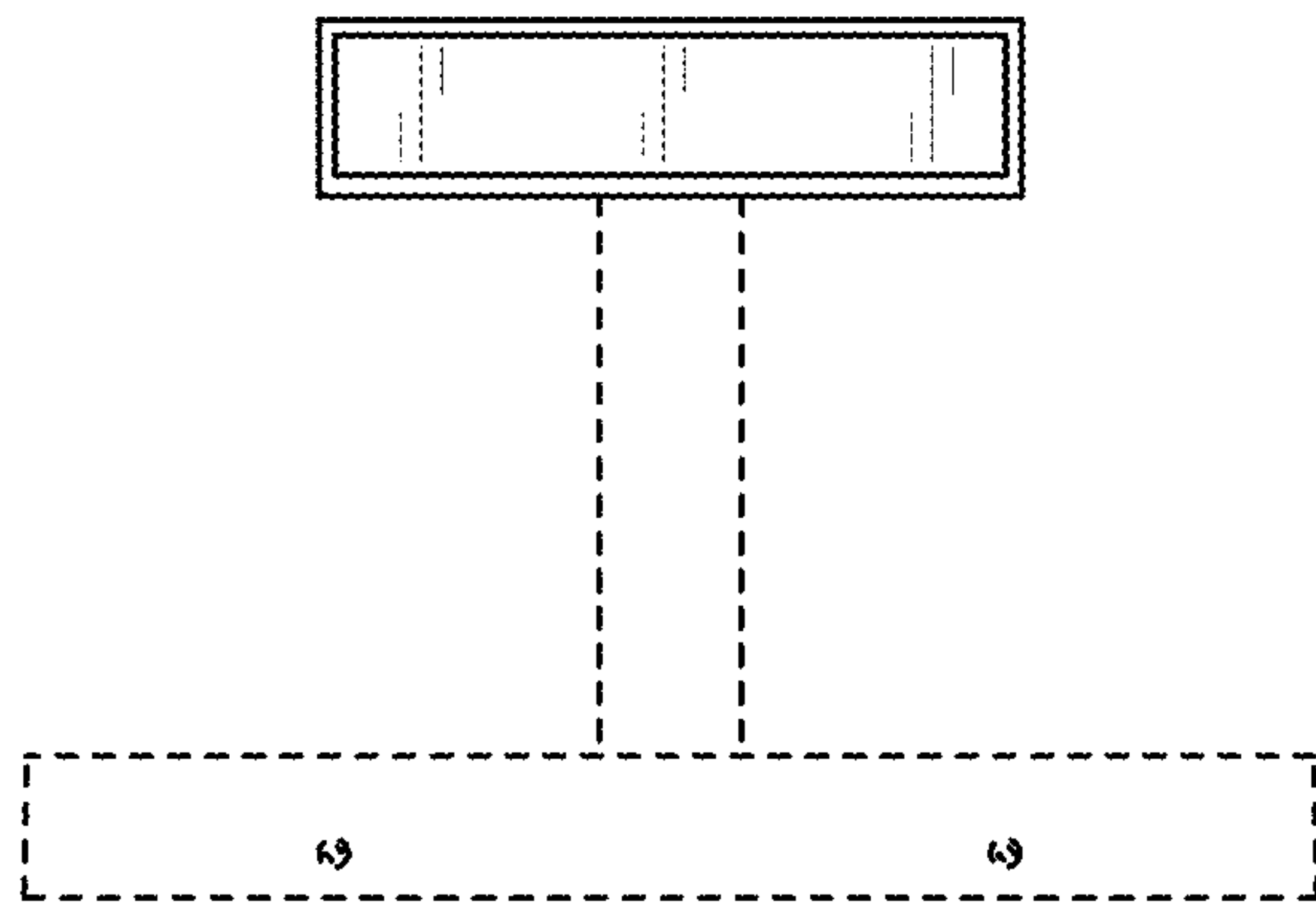


FIG. 16