

US00D829955S

(12) **United States Design Patent**  
**Recker et al.**

(10) **Patent No.:** **US D829,955 S**

(45) **Date of Patent:** **\*\* Oct. 2, 2018**

(54) **NIGHT LIGHT**

(71) Applicant: **A9.com, Inc.**, Palo Alto, CA (US)

(72) Inventors: **Michael V Recker**, Gaithersburg, MD (US); **David B Levine**, Pepper Pike, OH (US); **Ryan David Hruska**, North Royalton, OH (US)

(73) Assignee: **A9.Com, Inc.**, Palo Alto, CA (US)

(\*\*) Term: **15 Years**

(21) Appl. No.: **29/607,369**

(22) Filed: **Jun. 13, 2017**

(51) **LOC (11) Cl.** ..... **26-03**

(52) **U.S. Cl.**  
USPC ..... **D26/85**

(58) **Field of Classification Search**  
USPC ..... D26/72, 85; D10/106.6, 106.8  
CPC .... F21S 8/03; F21S 8/033; F21S 8/036; F21S 8/037; F21S 9/022; F21S 9/024; F21S 9/03; F21S 9/037; F21V 33/0076; F21W 2121/004; F21W 2131/107  
See application file for complete search history.

(56) **References Cited**

**U.S. PATENT DOCUMENTS**

- 6,193,395 B1 \* 2/2001 Logan ..... F21S 9/022 362/269
- D612,975 S \* 3/2010 Guercio ..... D26/85
- D627,094 S \* 11/2010 Verelst ..... D26/85
- D627,916 S \* 11/2010 Butteris ..... D26/85
- D664,703 S \* 7/2012 Yu ..... D26/85

- D681,864 S \* 5/2013 Guercio ..... D26/85
- D698,072 S \* 1/2014 Messisaen ..... D26/85
- D803,456 S \* 11/2017 Yang ..... D26/85
- D805,236 S \* 12/2017 Exley ..... D26/85
- D808,569 S \* 1/2018 Ban ..... D26/85

**OTHER PUBLICATIONS**

Zeefo Rechargeable Motion Sensor Wall Light , Part No. ZF200, ASIN: B01C8BQYFS first available on amazon.com Feb. 26, 2016. (Year: 2016).\*

\* cited by examiner

*Primary Examiner* — Clare E Heflin

(74) *Attorney, Agent, or Firm* — Lee & Hayes, PLLC

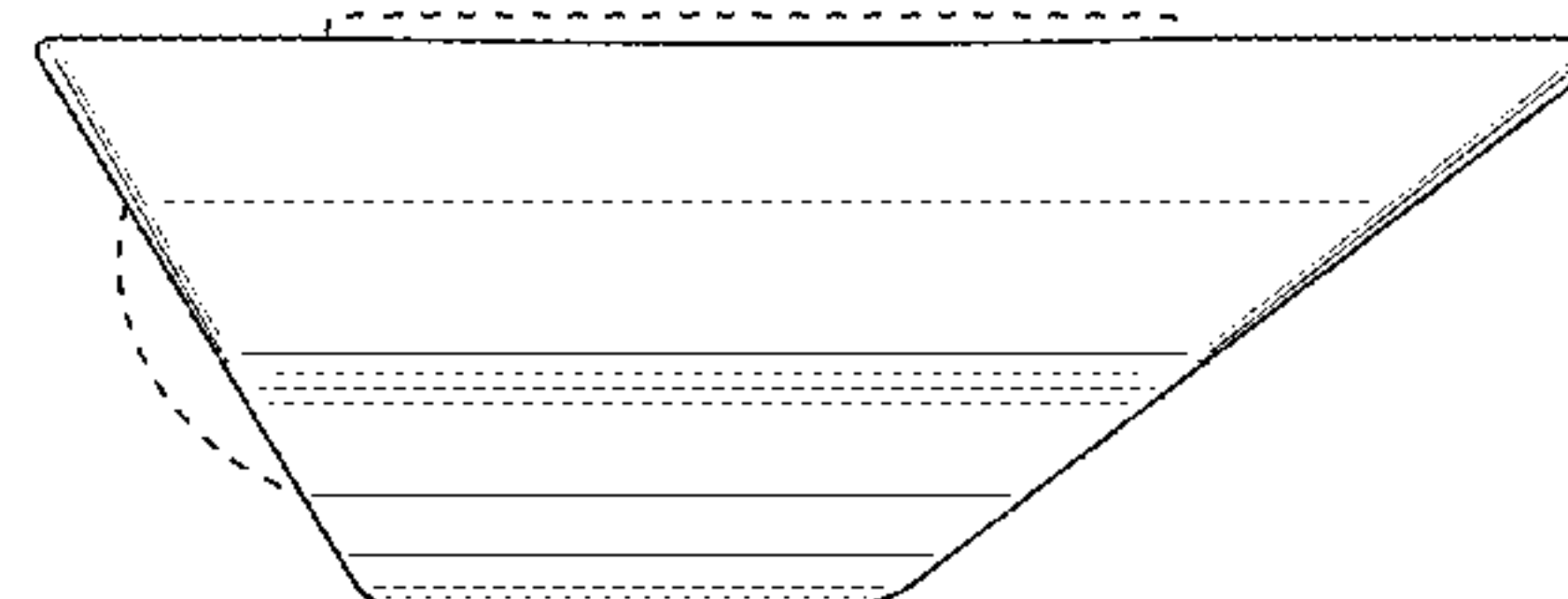
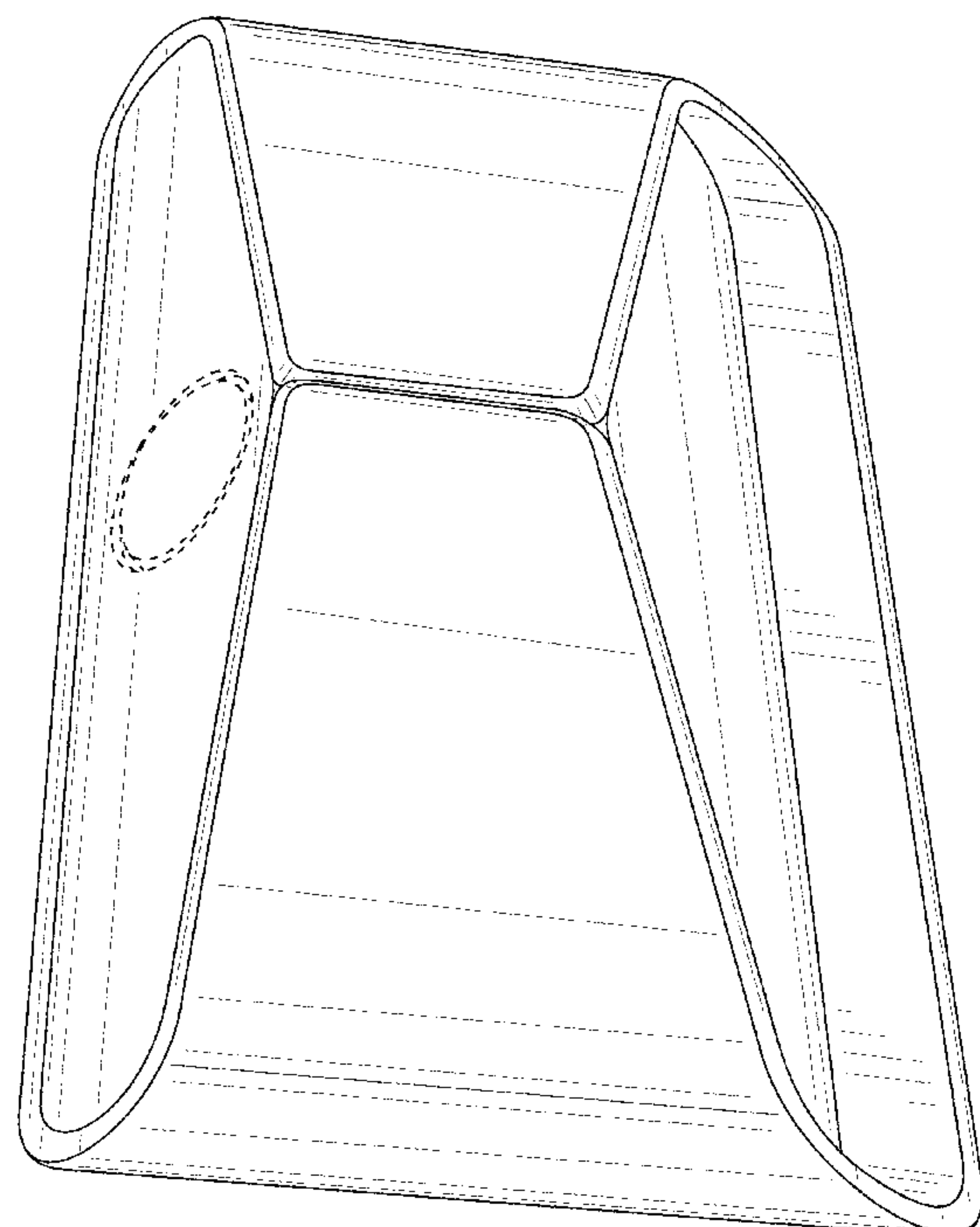
(57) **CLAIM**

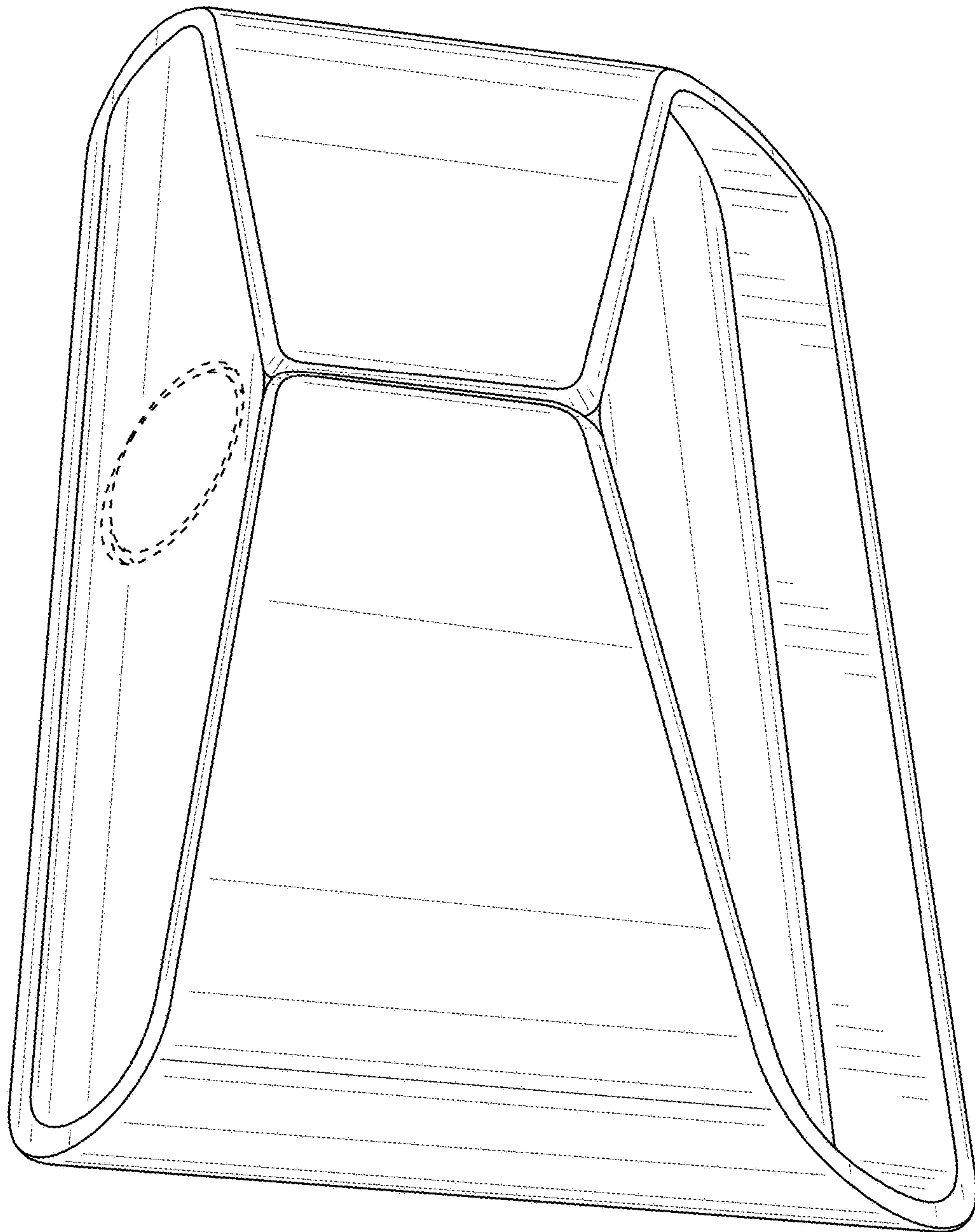
The ornamental design for a night light, as shown and described.

**DESCRIPTION**

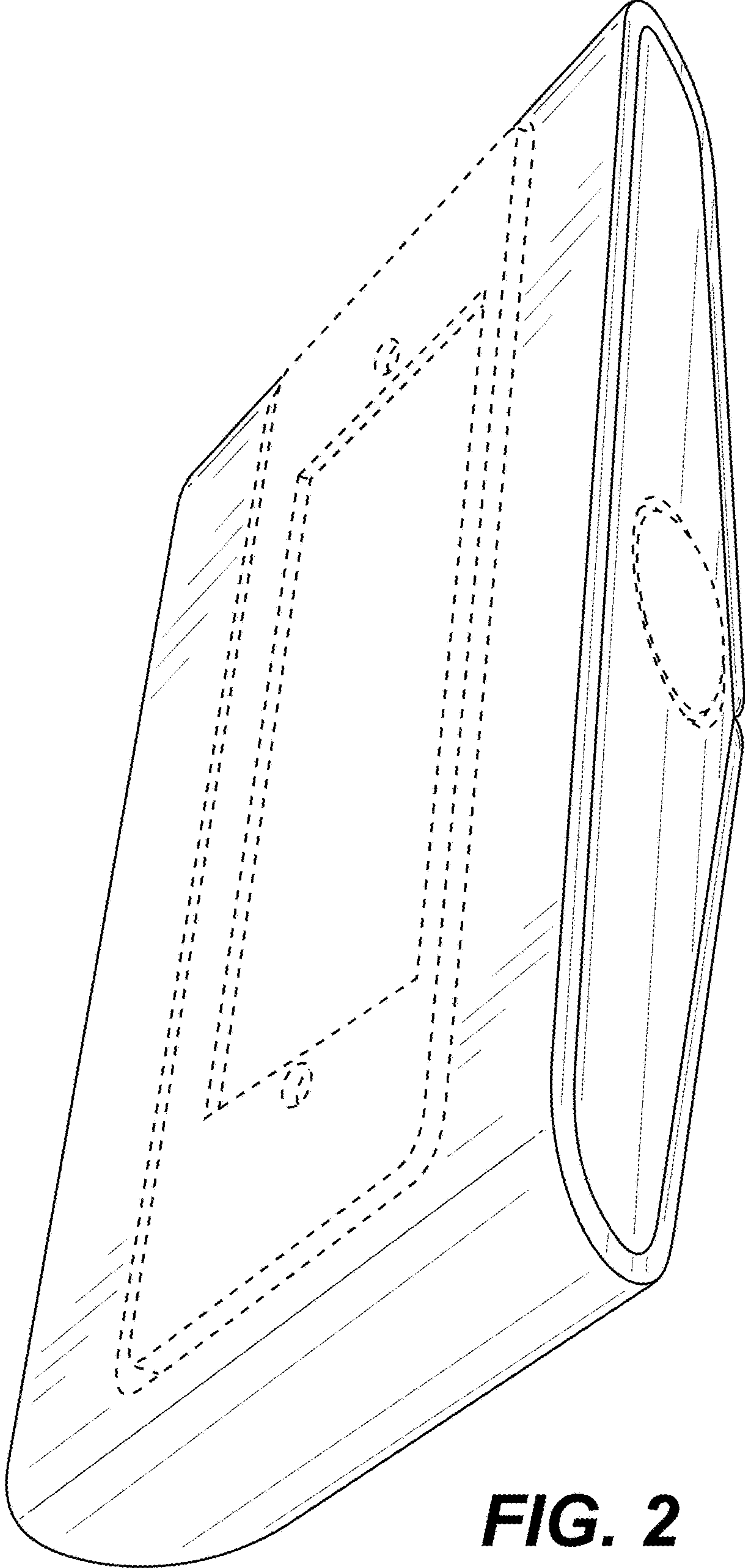
FIG. 1 is a front, left, bottom perspective view of a night light showing our new design;  
FIG. 2 is a rear, left, bottom perspective view thereof;  
FIG. 3 is a front elevation view thereof;  
FIG. 4 is a rear elevation view thereof;  
FIG. 5 is a left side view thereof;  
FIG. 6 is a right side view thereof;  
FIG. 7 is a top plan view thereof; and,  
FIG. 8 is a bottom plan view thereof.  
The broken lines shown in the drawings depict portions of the night light that form no part of the claimed design.

**1 Claim, 8 Drawing Sheets**

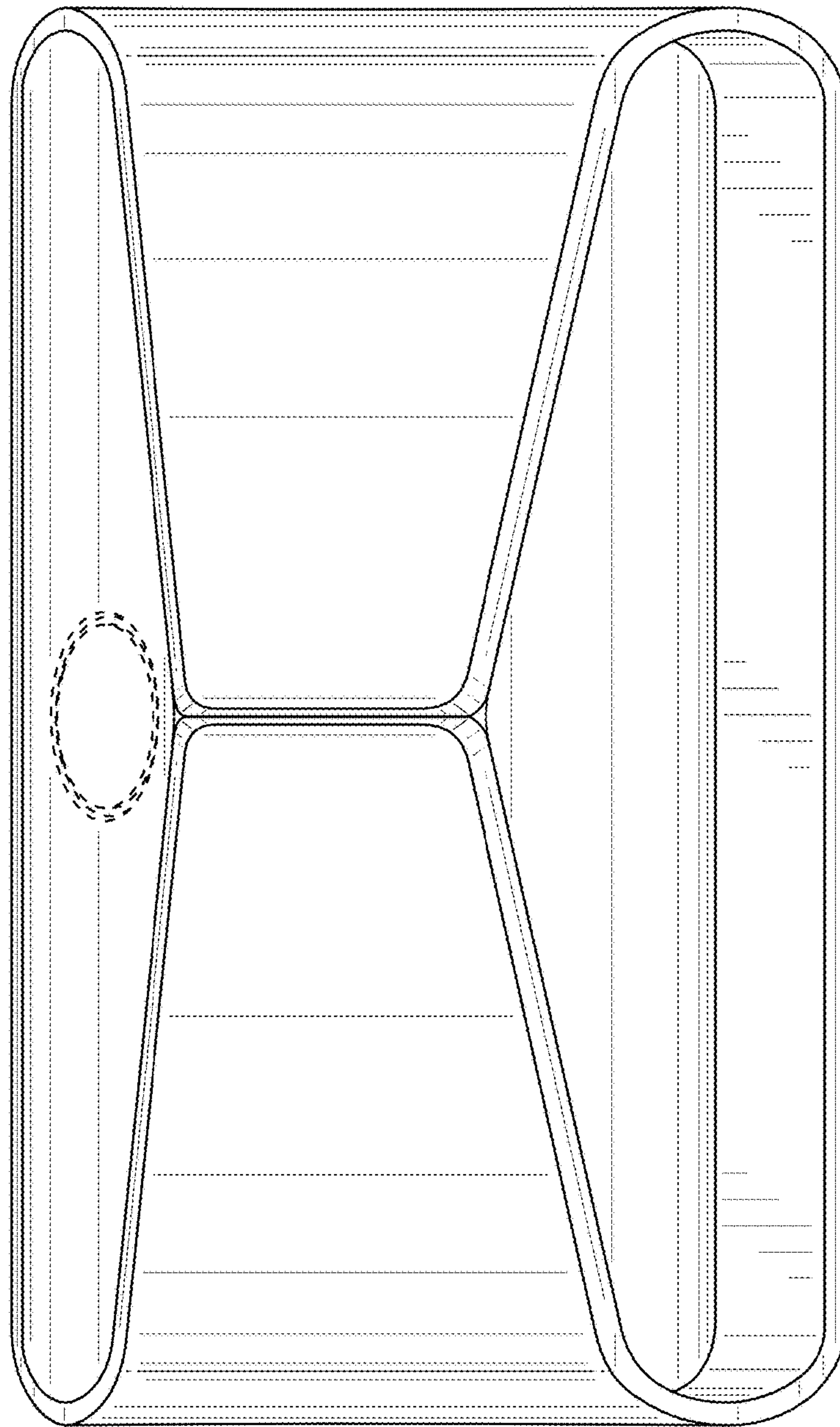




**FIG. 1**

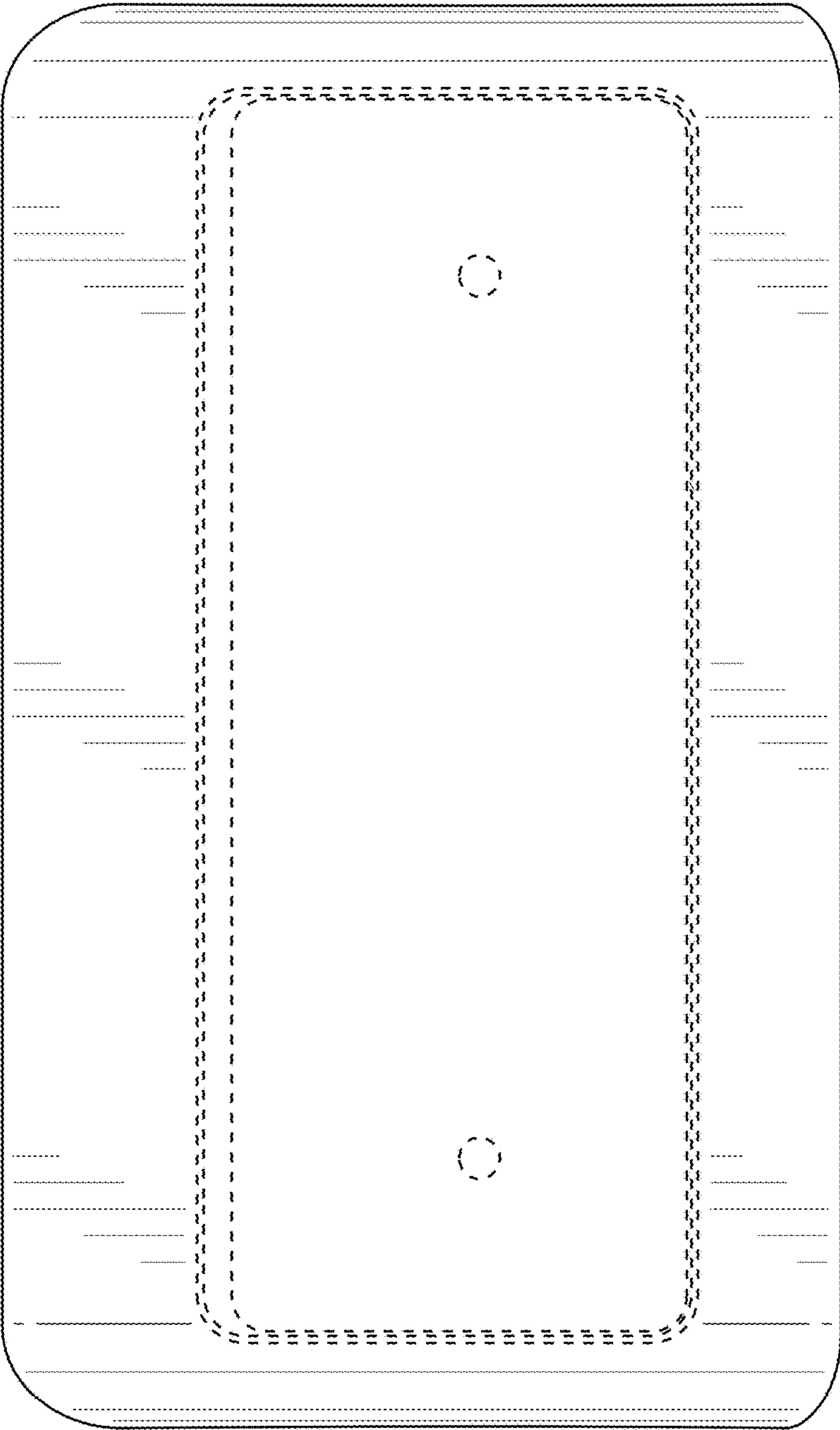


**FIG. 2**

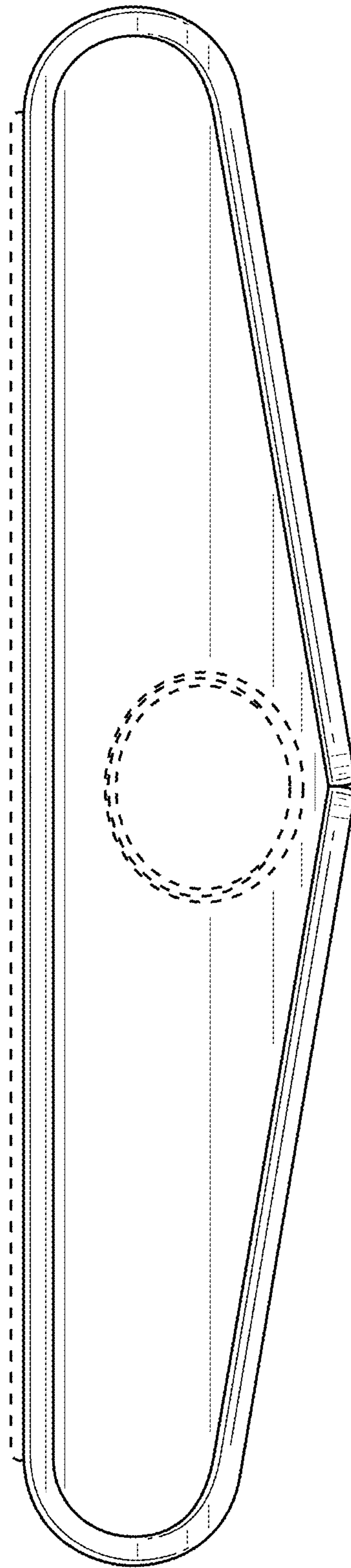


**FIG. 3**

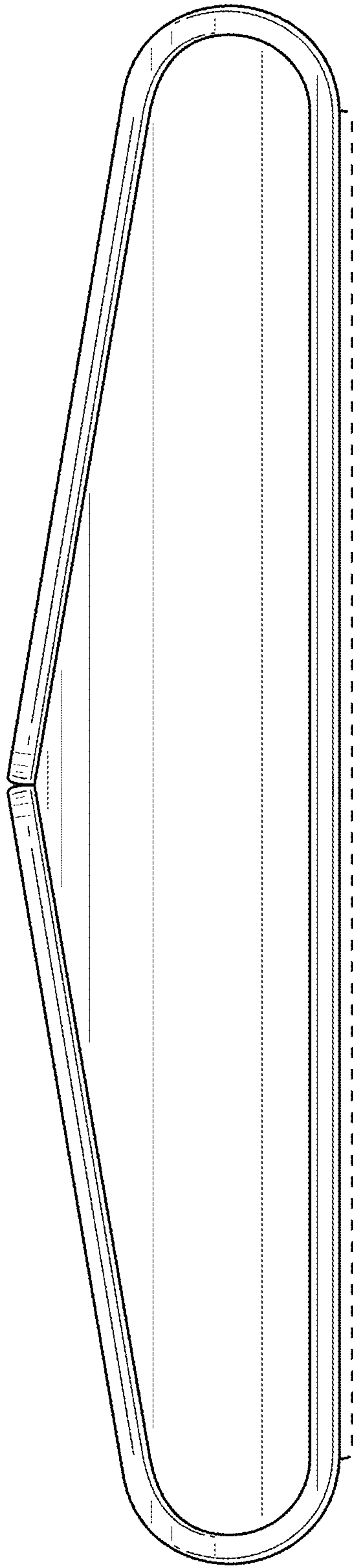




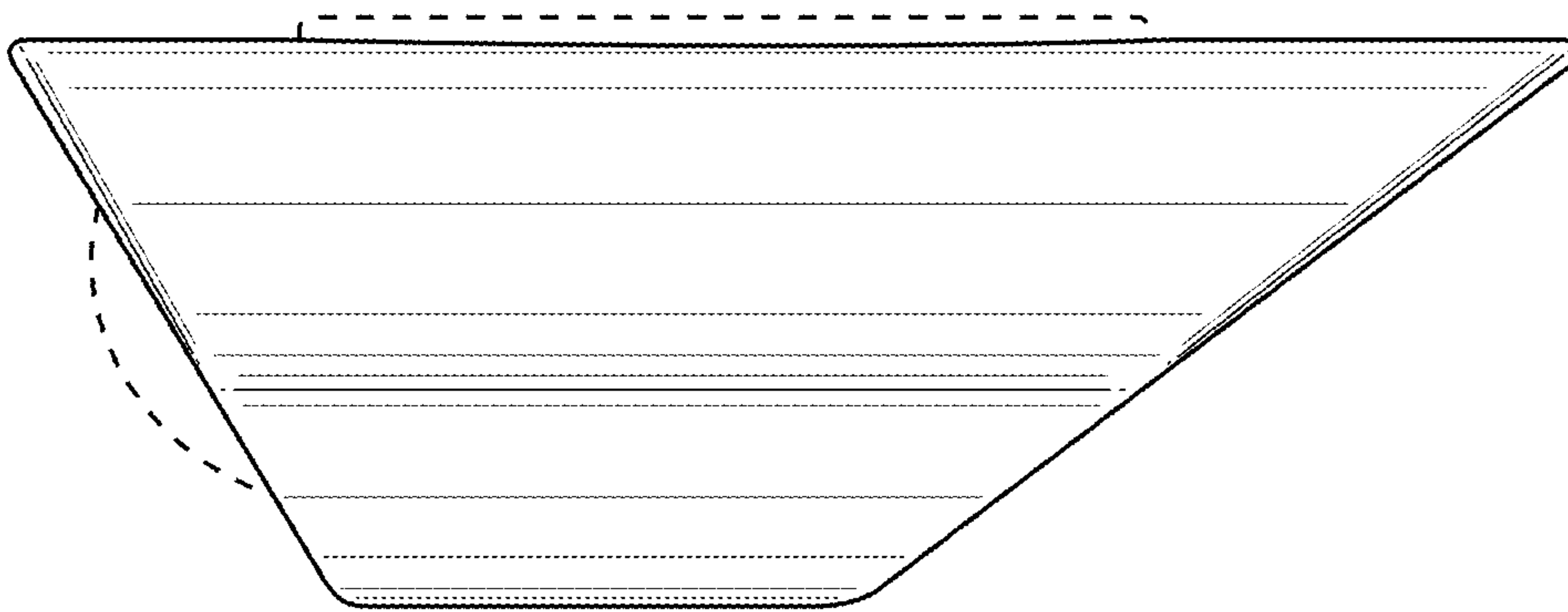
**FIG. 4**



**FIG. 5**

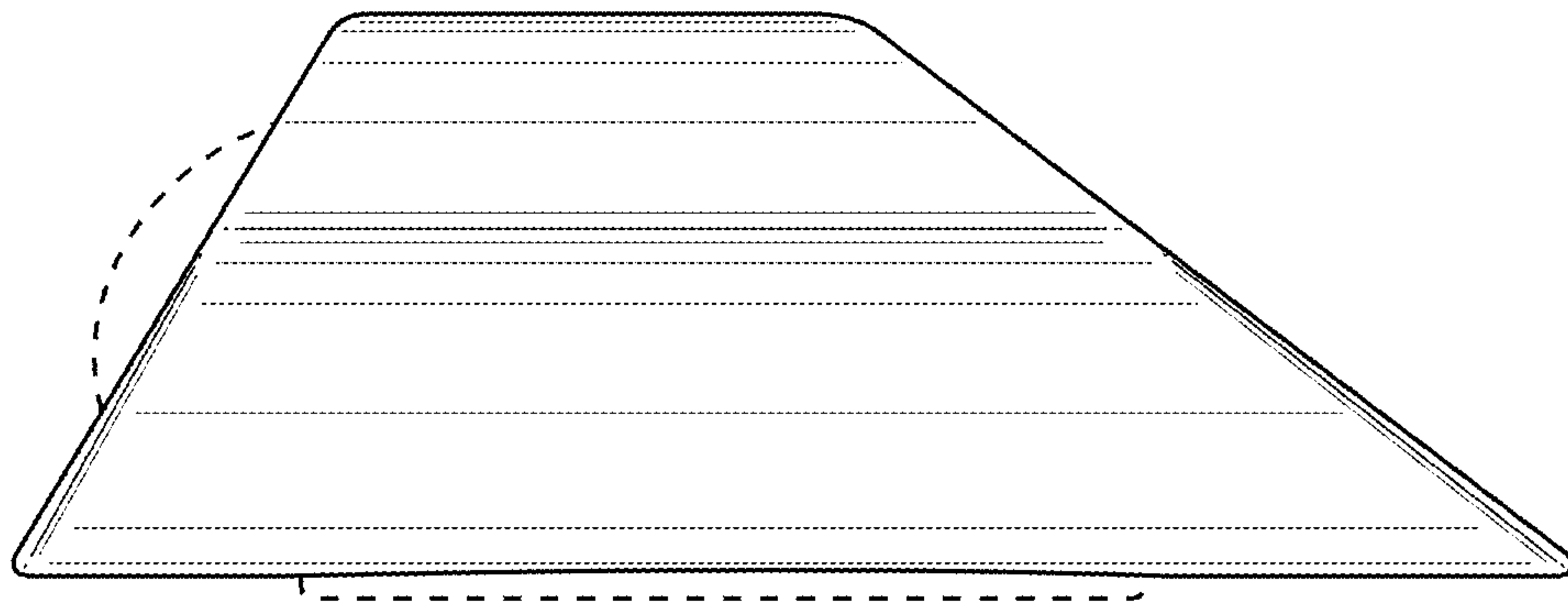


**FIG. 6**



**FIG. 7**





**FIG. 8**