



US00D829953S

(12) **United States Design Patent** (10) **Patent No.:** **US D829,953 S**
Botti (45) **Date of Patent:** **** Oct. 2, 2018**

(54) **RECESSED LAMP**

(71) Applicant: **SIMES S.P.A.**, Nigoline di Corte Franca (IT)

(72) Inventor: **Roberto Botti**, Nigoline di Corte Franca (IT)

(73) Assignee: **SIMES S.p.A.**, Nigoline di Corte Franca (IT)

(**) Term: **15 Years**

(21) Appl. No.: **35/503,305**

(22) Filed: **Apr. 24, 2017**

(80) **Hague Agreement Data**

Int. Filing Date: **Apr. 24, 2017**

Int. Reg. No.: **DM/096562**

Int. Reg. Date: **Apr. 24, 2017**

Int. Reg. Pub. Date: **Jul. 7, 2017**

(30) **Foreign Application Priority Data**

Dec. 30, 2016 (IT) DM/094706

(51) **LOC (11) Cl.** **26-05**

(52) **U.S. Cl.**
USPC **D26/74**

(58) **Field of Classification Search**

USPC D26/3, 28, 74, 75, 76, 78-86, 88, 90, 93,
D26/111, 113, 118, 119, 120, 121, 122,
D26/138, 139, 140, 141, 142, 152

CPC F21S 2/00; F21S 4/00; F21S 4/003; F21S
4/005; F21S 4/006; F21S 4/007; F21S
4/008; F21S 6/00; F21S 8/00; F21S
8/024;

(Continued)

(56) **References Cited**

U.S. PATENT DOCUMENTS

2,625,646 A * 1/1953 Goebel F21S 2/005
362/224
2,647,985 A * 8/1953 Biller F21V 11/06
362/228

(Continued)

Primary Examiner — George D. Kirschbaum

Assistant Examiner — Natasha Vujcic

(74) *Attorney, Agent, or Firm* — Thomas I Horstemeyer,
LLP

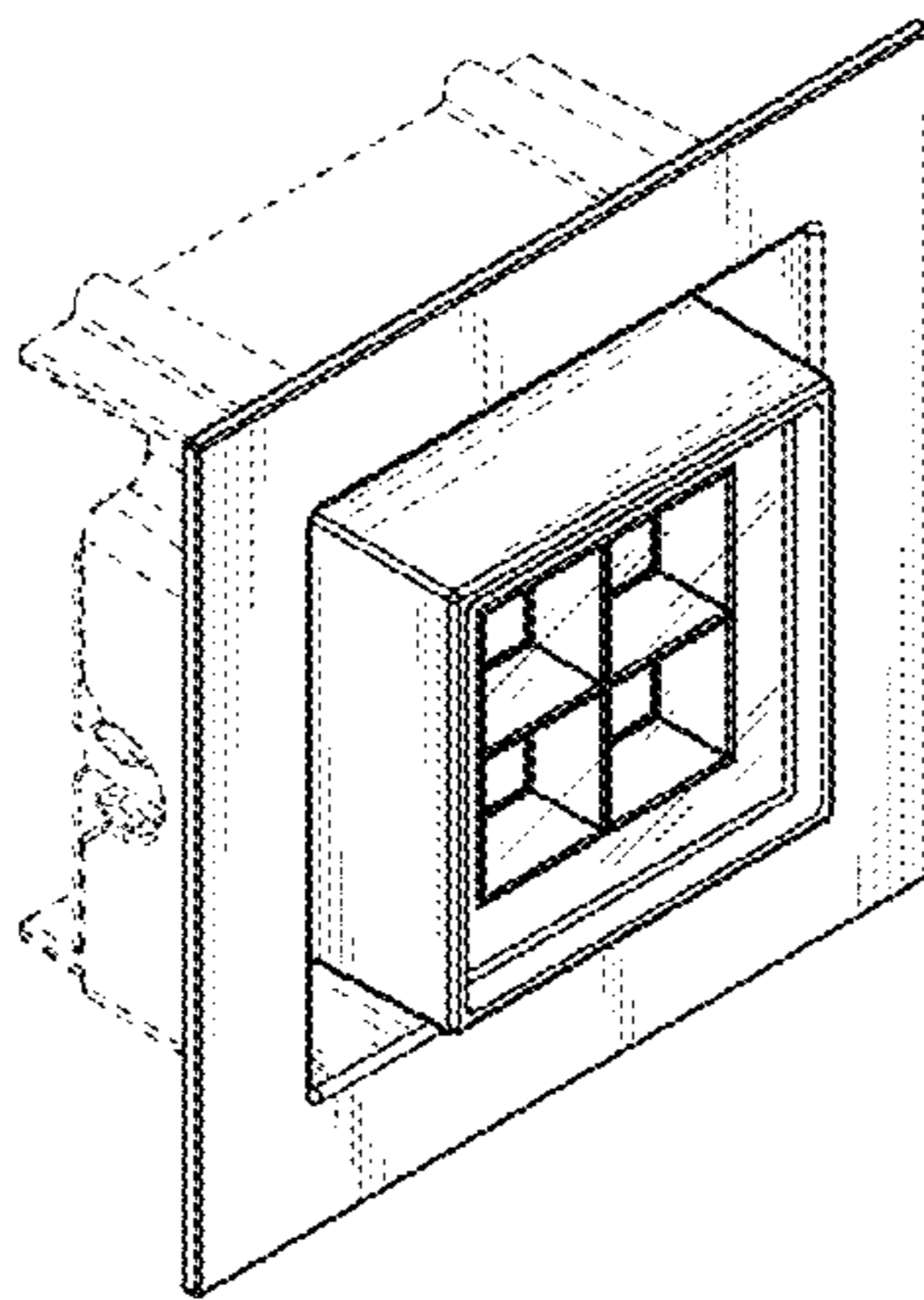
(57) **CLAIM**

The ornamental design for recessed lamp, as shown and described.

DESCRIPTION

1.-5. Recessed lamp
1.1 is a front perspective view;
1.2 is a front plan view;
1.3 is a side view;
1.4 is another side view;
1.5 is a another front perspective view;
2.1 is a front perspective view;
2.2 is a front plan view;
2.3 is a side view;
2.4 is another side view;
2.5 is a another front perspective view;
3.1 is a front perspective view;
3.2 is a front plan view;
3.3 is a side view;
3.4 is another side view;
4.1 is a front perspective view;
4.2 is a front plan view;
4.3 is a side view;
4.4 is another side view;
4.5 is a another front perspective view;

(Continued)



- 5.1 is a front perspective view;
- 5.2 is a front plan view;
- 5.3 is a side view; and
- 5.4 is another side view.

The figures show the design of a recessed lamp according to five embodiments thereof, broken lines are related to portions of the recessed lamp which are not part of the design sought to be patented.

1 Claim, 23 Drawing Sheets

(58) **Field of Classification Search**

CPC .. F21S 8/026; F21S 8/031; F21S 8/033; F21S
8/035-8/037; F21S 8/04; F21S 8/043;
F21S 8/063

See application file for complete search history.

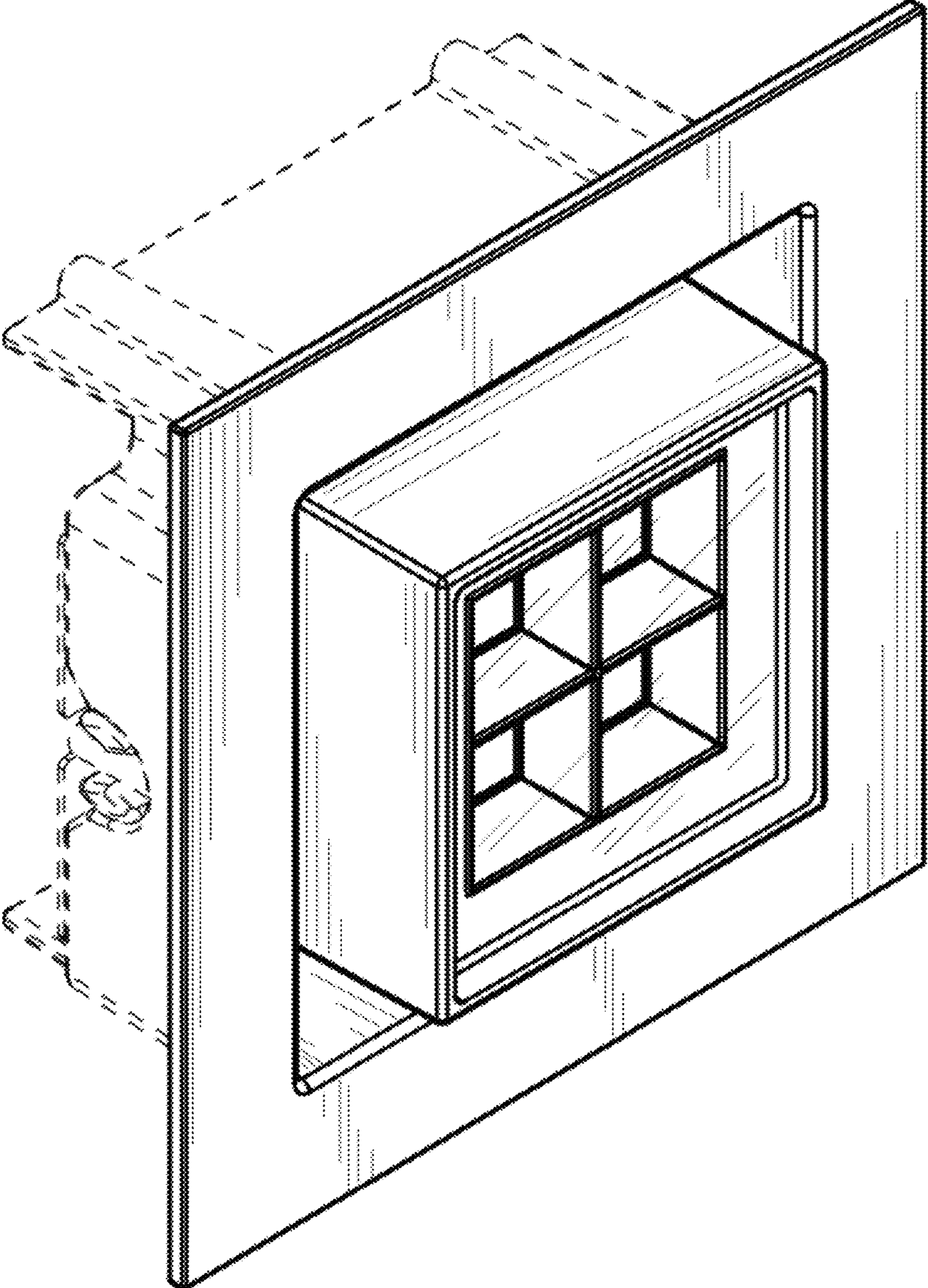
(56) **References Cited**

U.S. PATENT DOCUMENTS

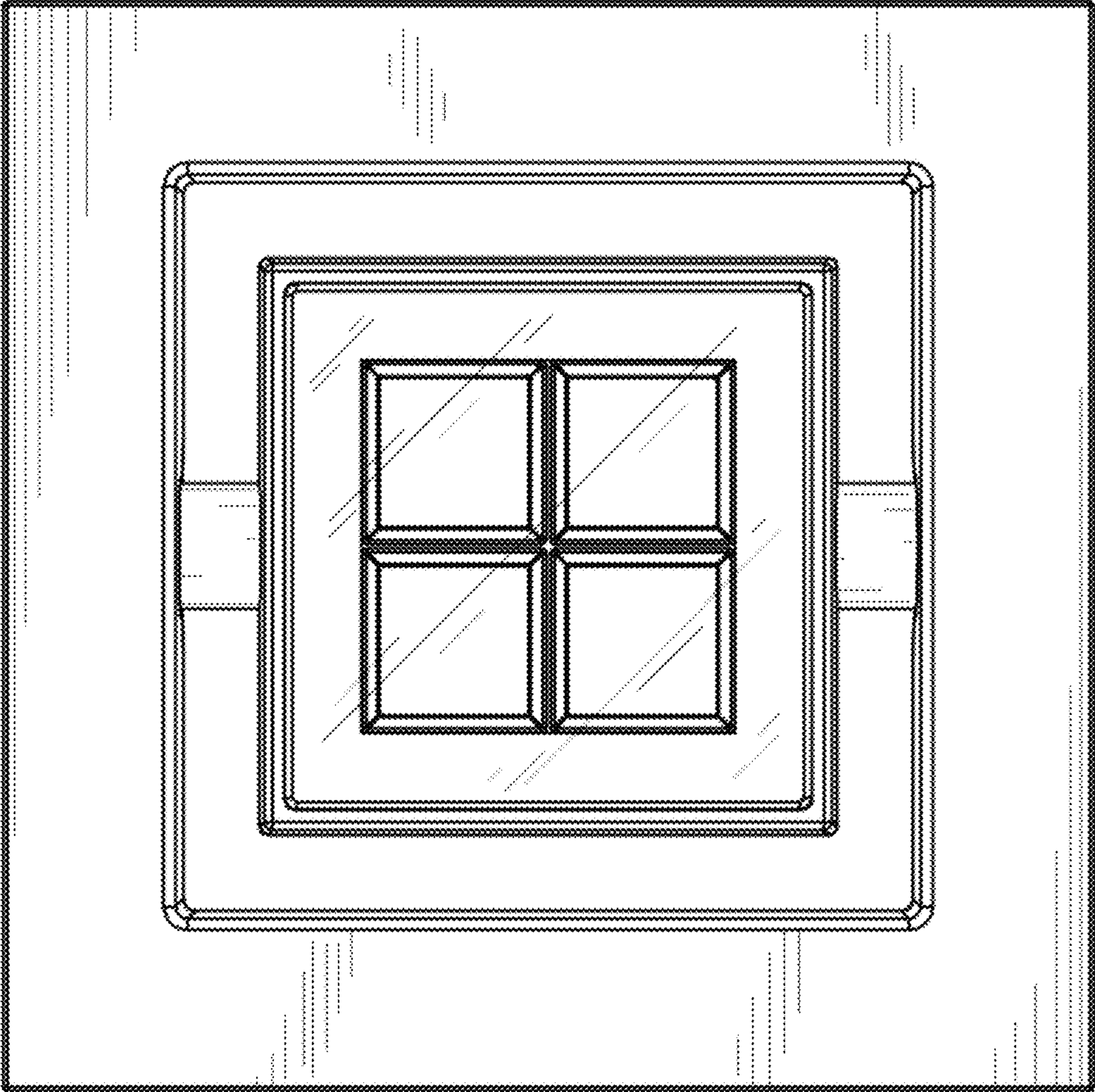
D411,031 S *	6/1999	Conn	D26/118
D542,963 S *	5/2007	Zucker	D26/121
D593,697 S *	6/2009	Liu	D26/74
D600,392 S *	9/2009	Ling	D26/74
D678,594 S *	3/2013	McCane	D26/118
D707,386 S *	6/2014	McKenzie	D26/142
D740,991 S *	10/2015	Hill	D26/78
D779,702 S *	2/2017	Yeh	D26/77
D805,675 S *	12/2017	Salomon	D26/74
D807,558 S *	1/2018	Guzzini	D26/74
2013/0265751 A1 *	10/2013	Edmond	F21S 8/026 362/231

* cited by examiner

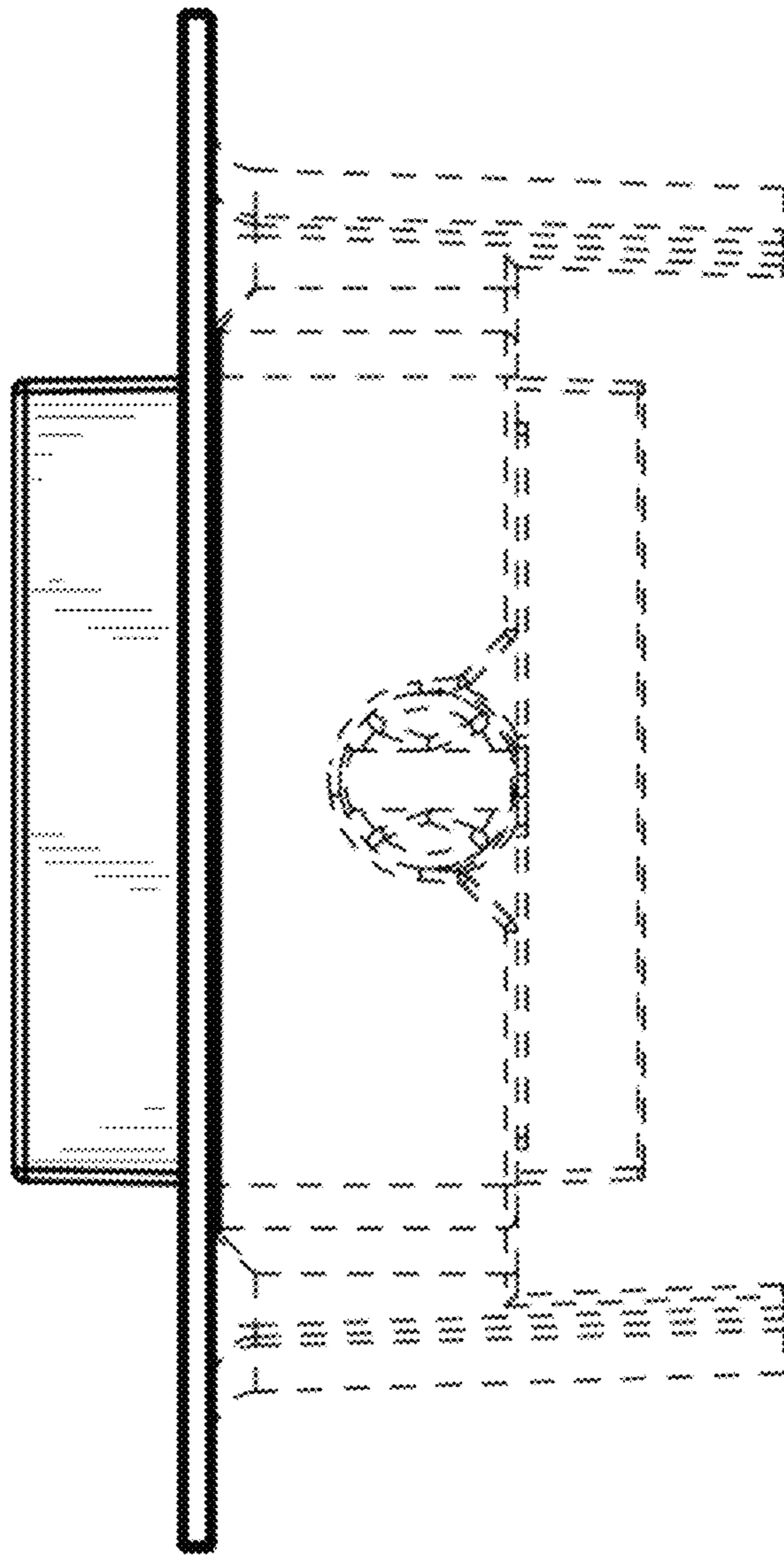
1.1



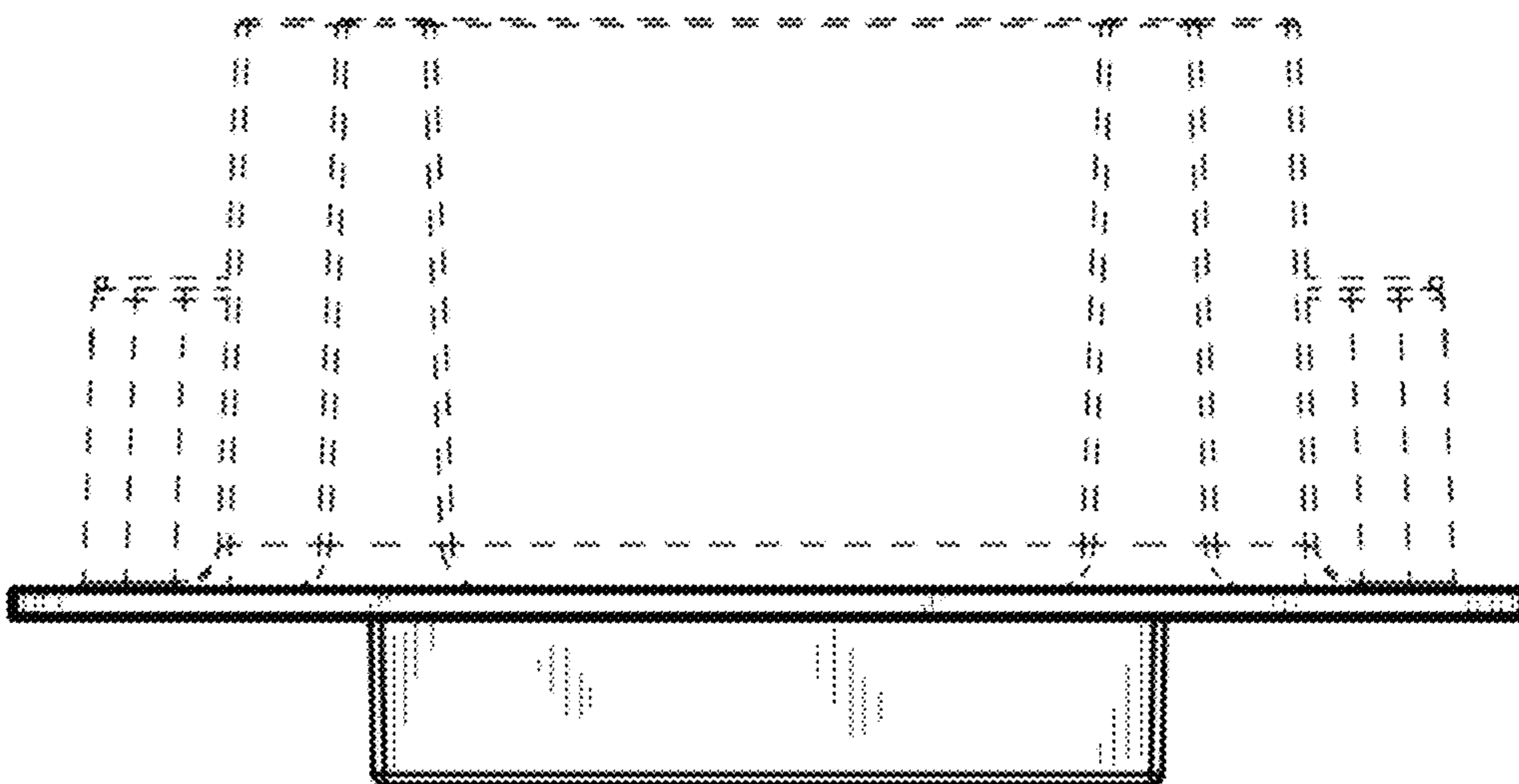
1.2



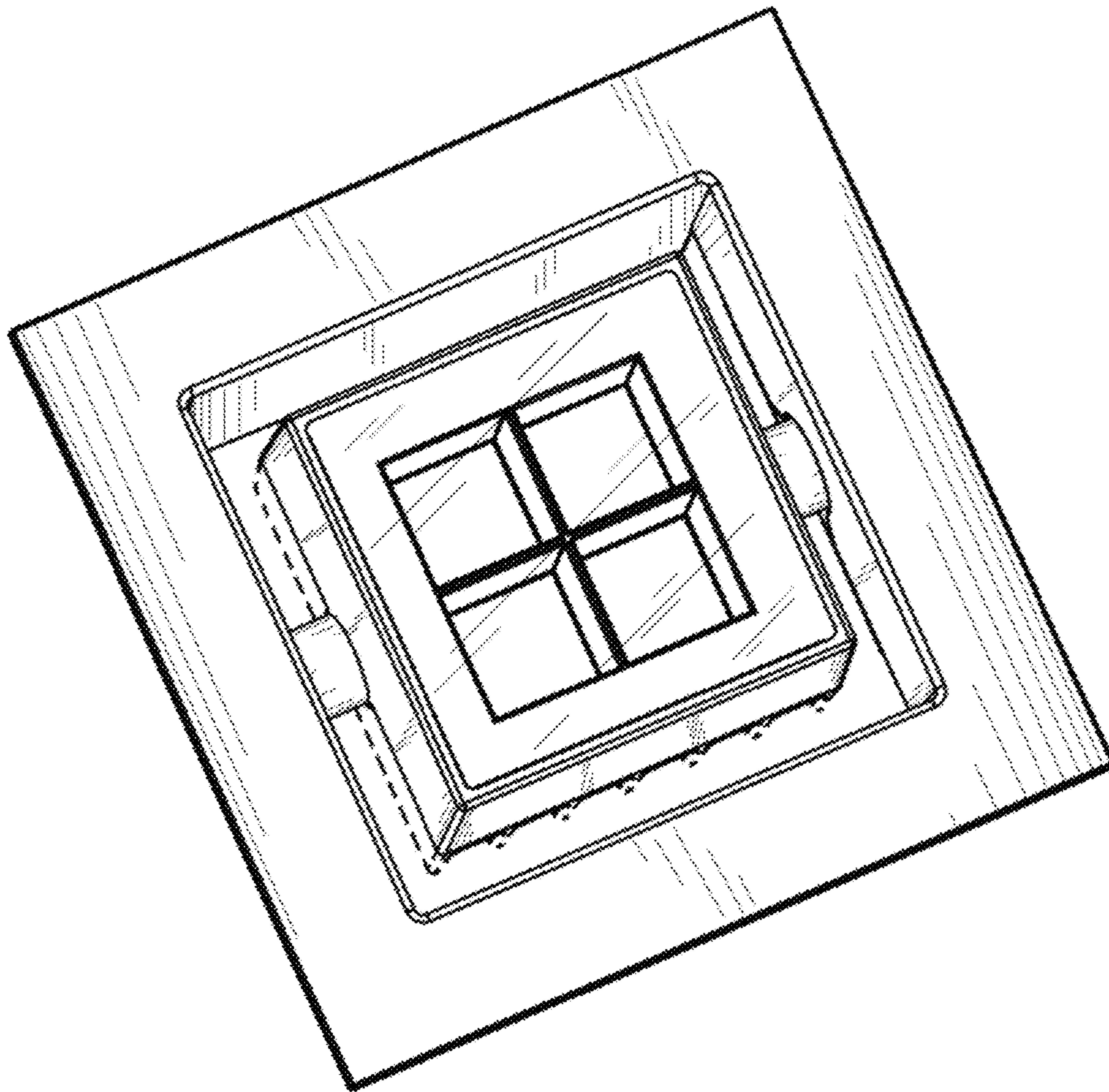
1.3



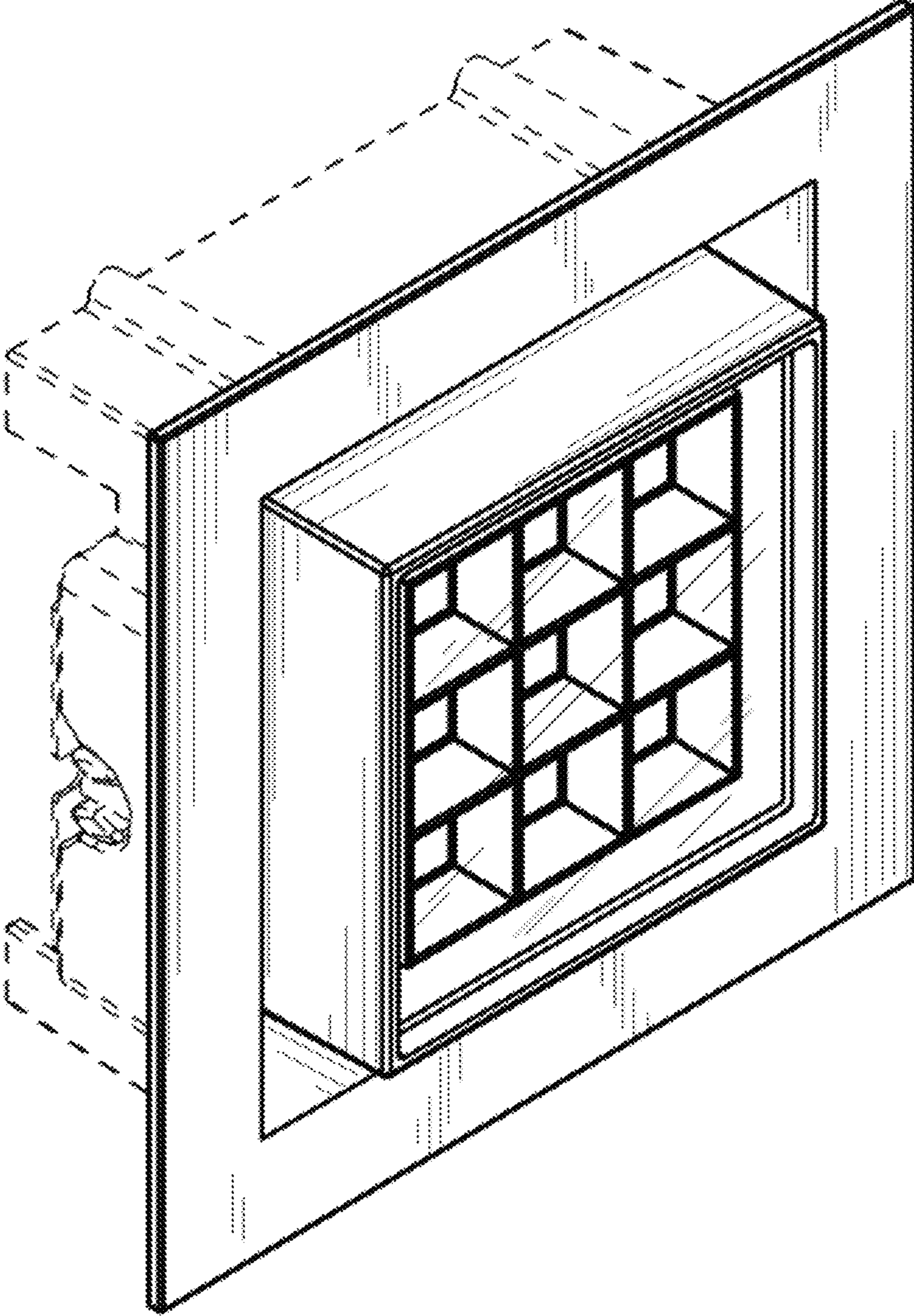
1.4



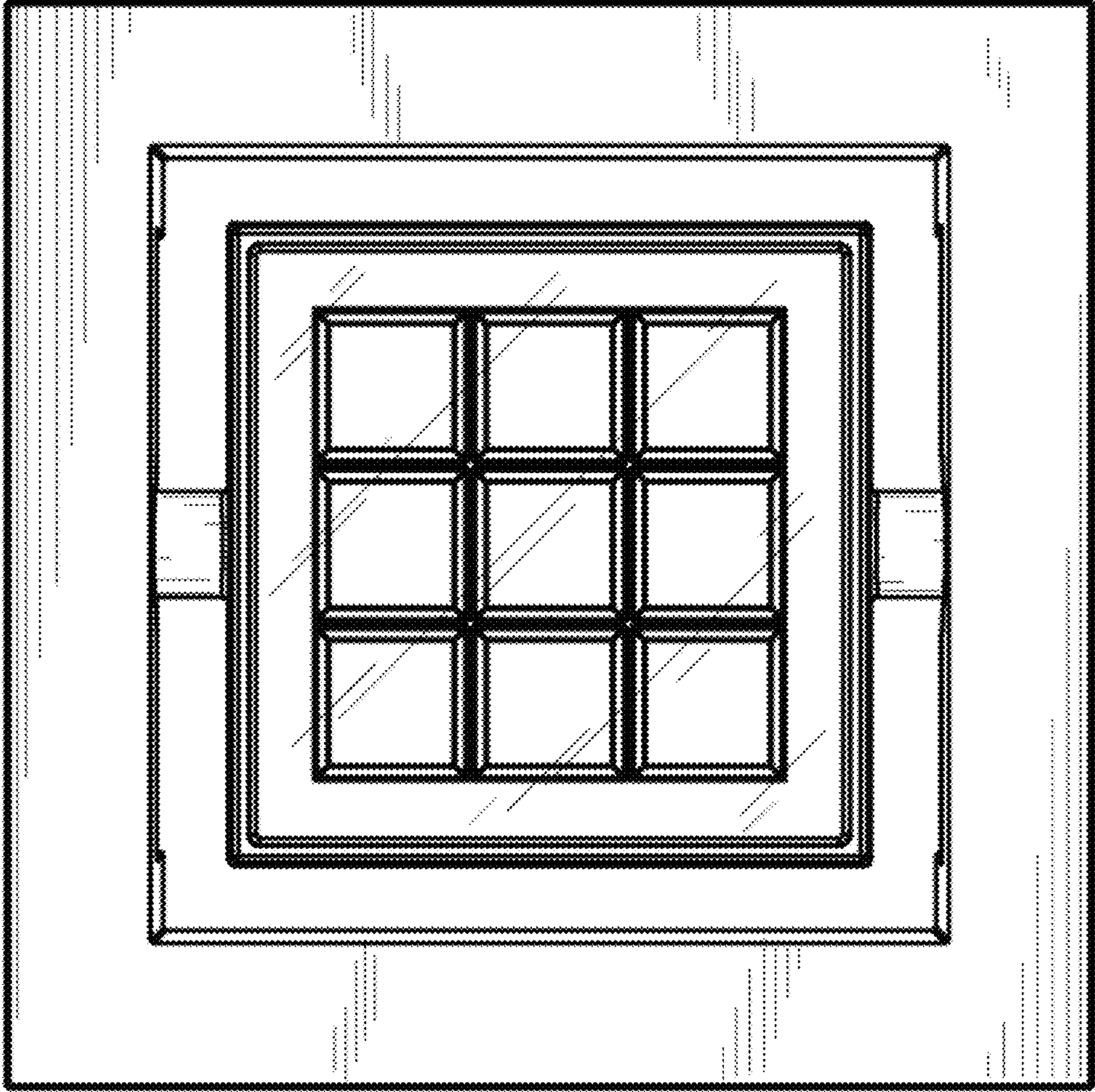
1.5



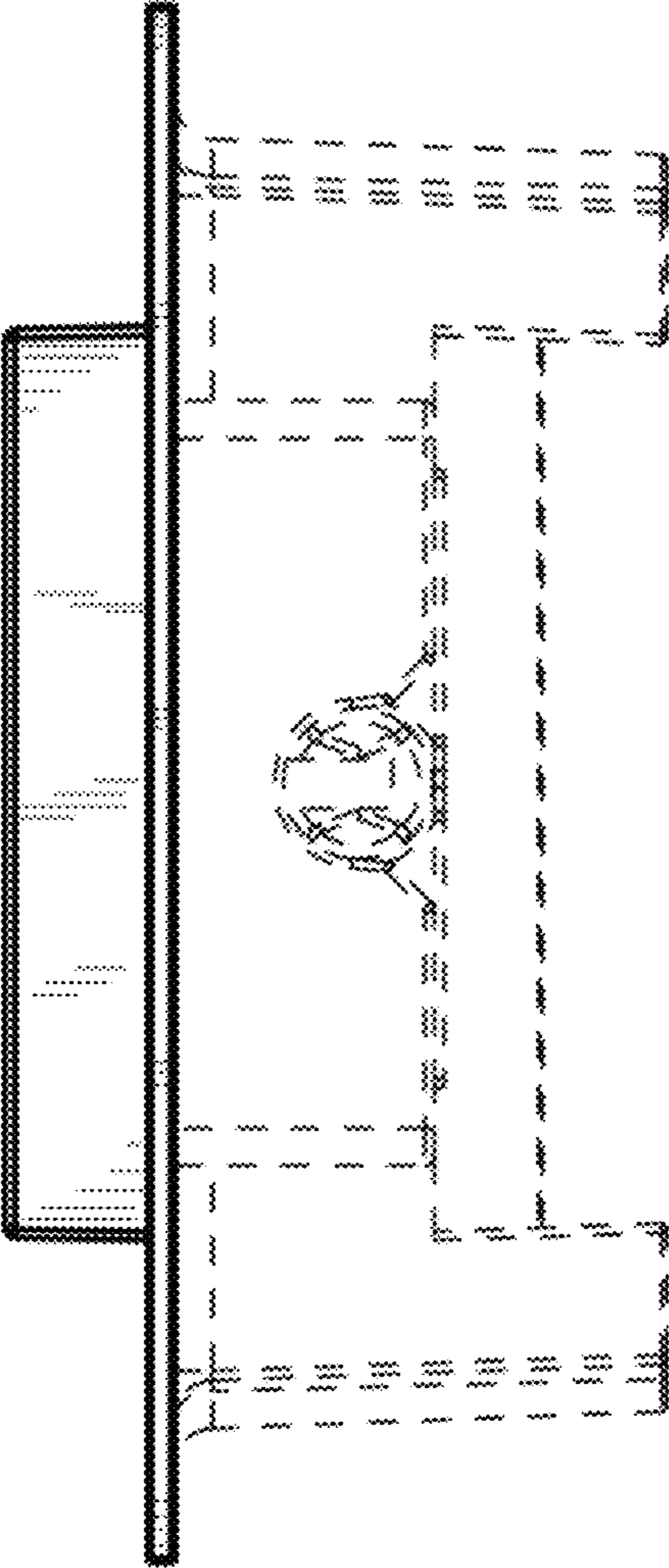
2.1



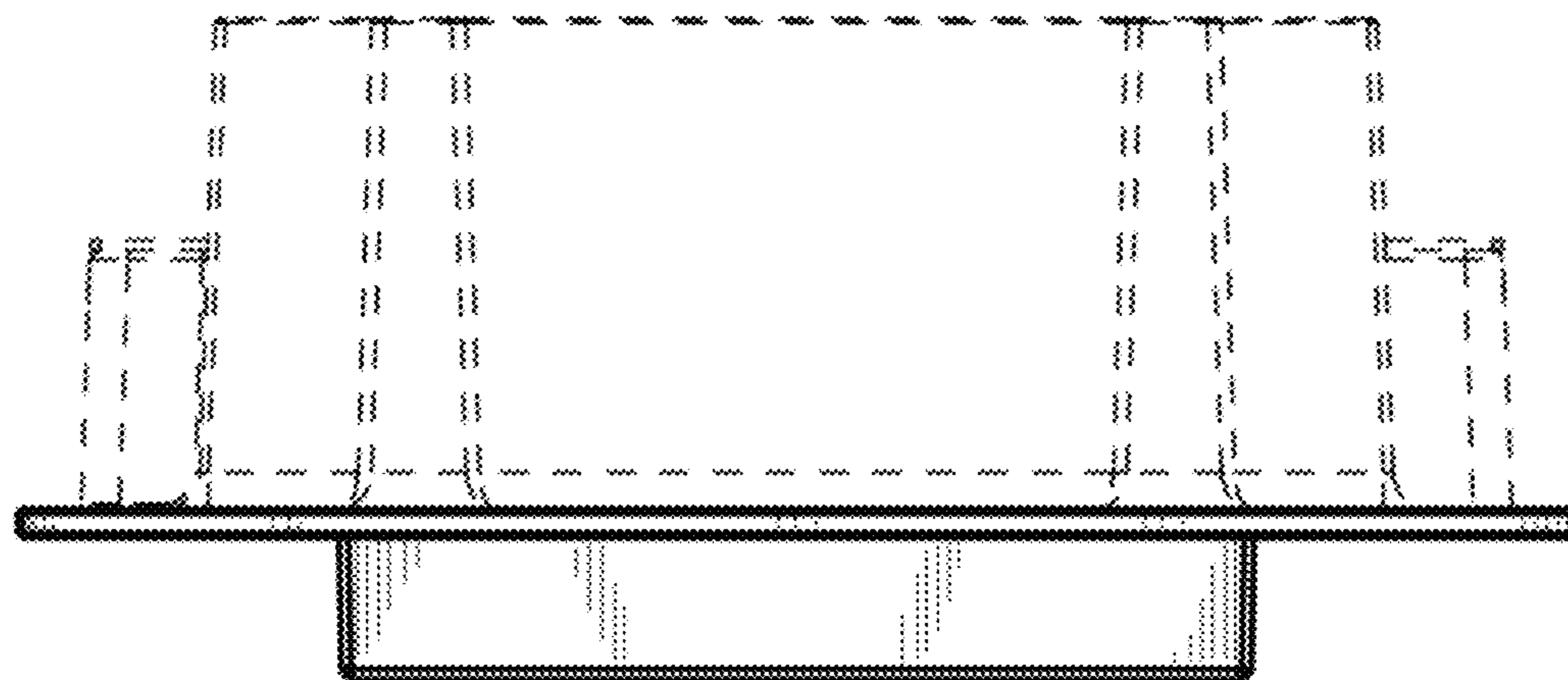
2.2



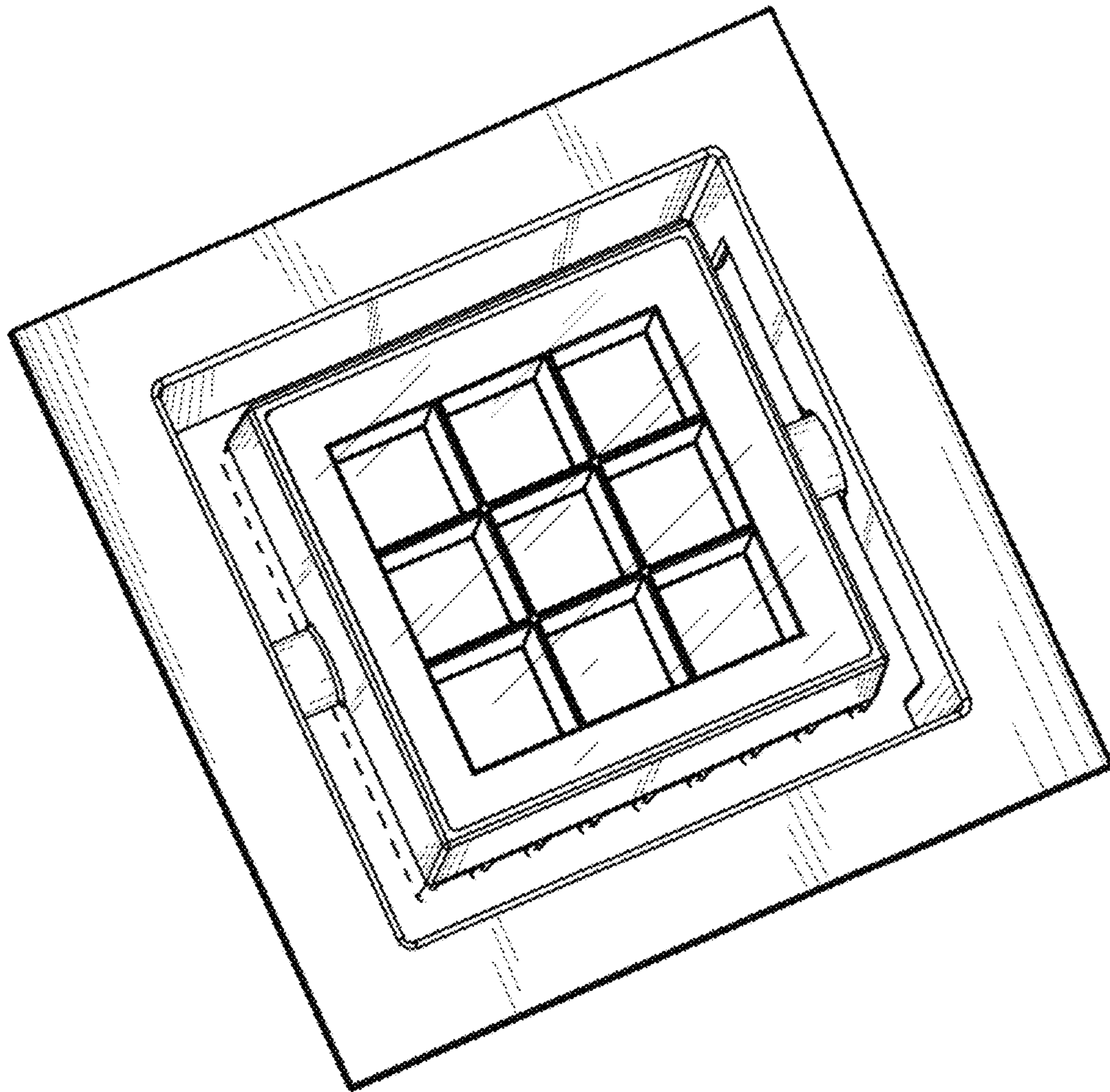
2.3



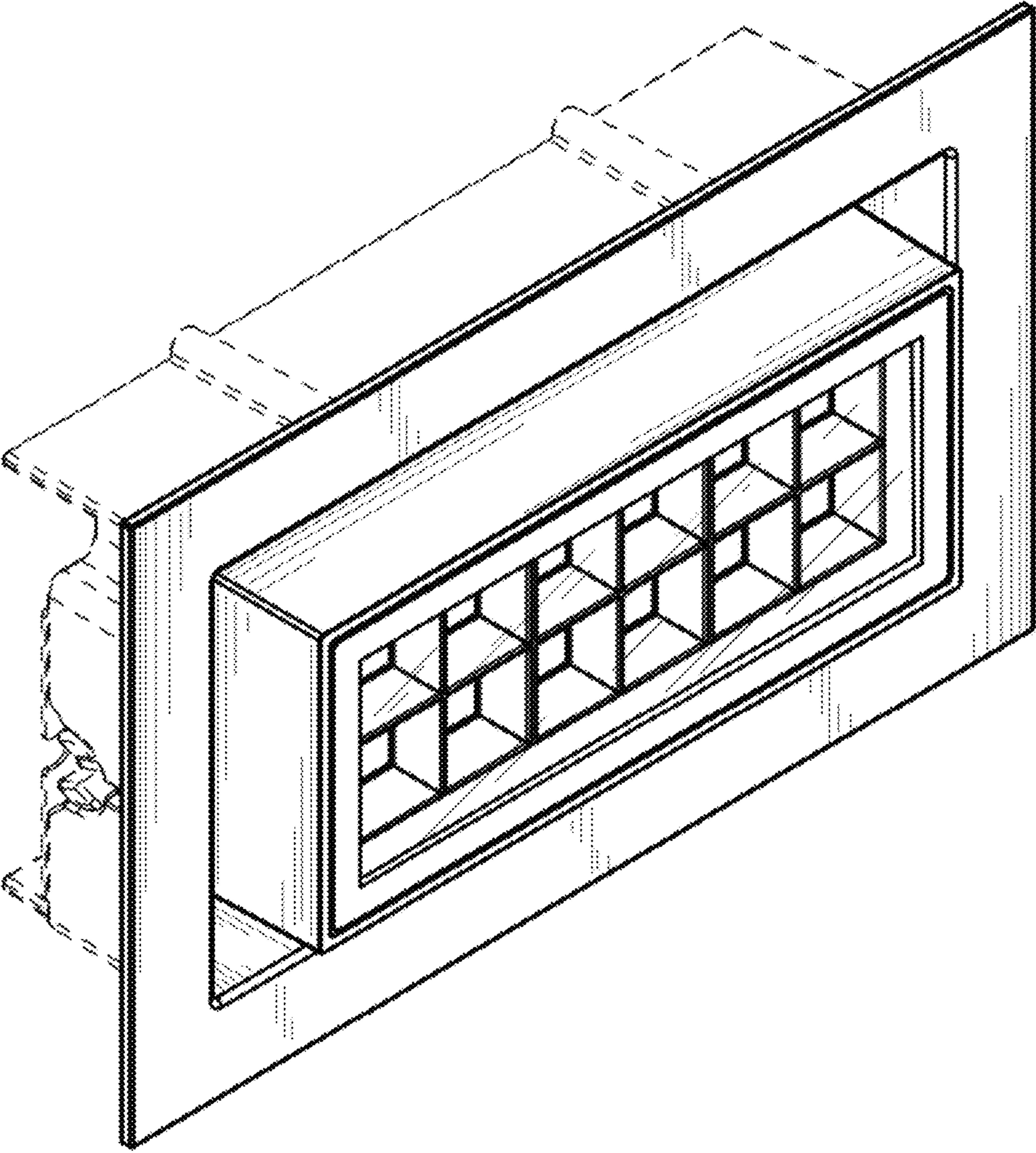
2.4



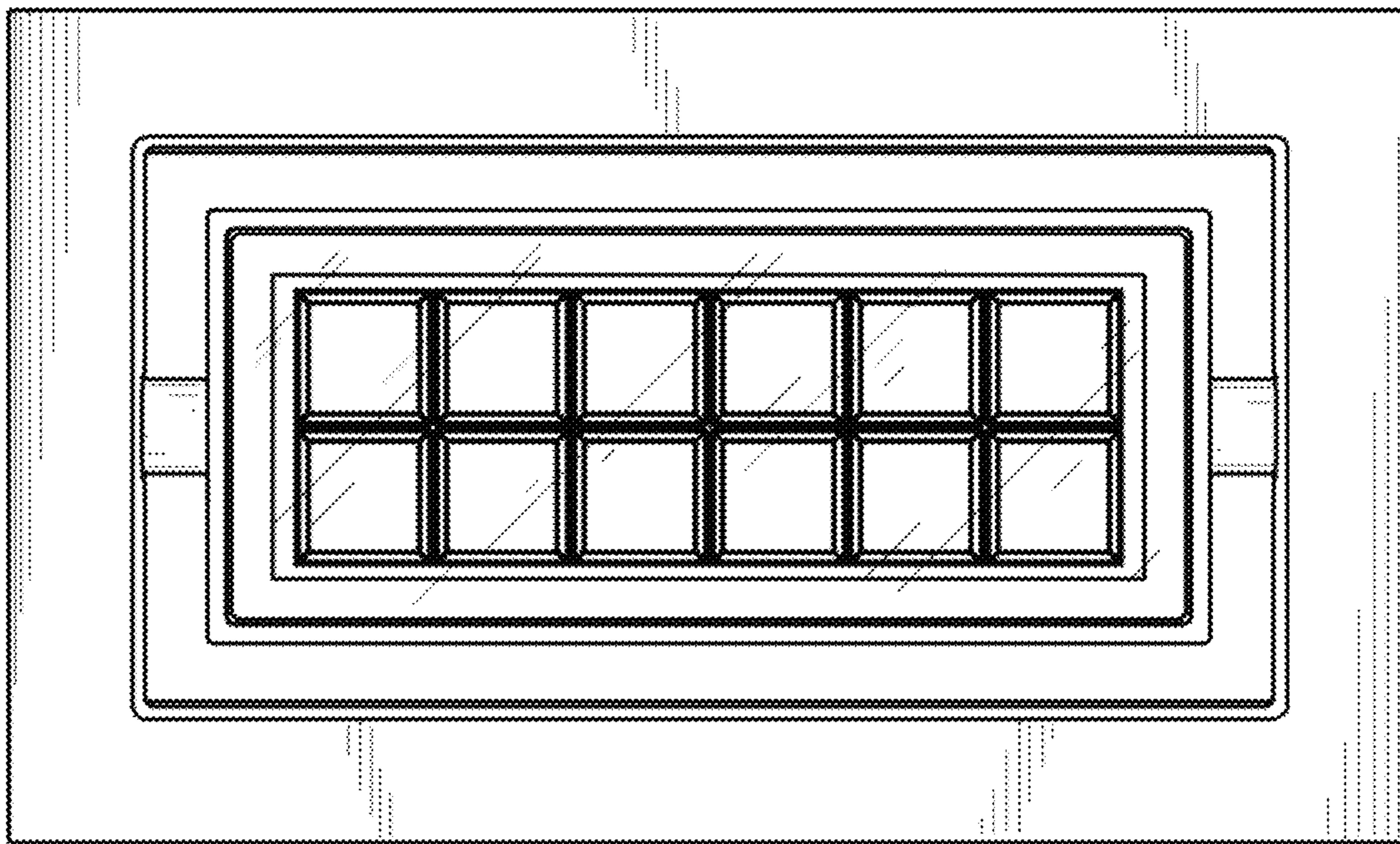
2.5



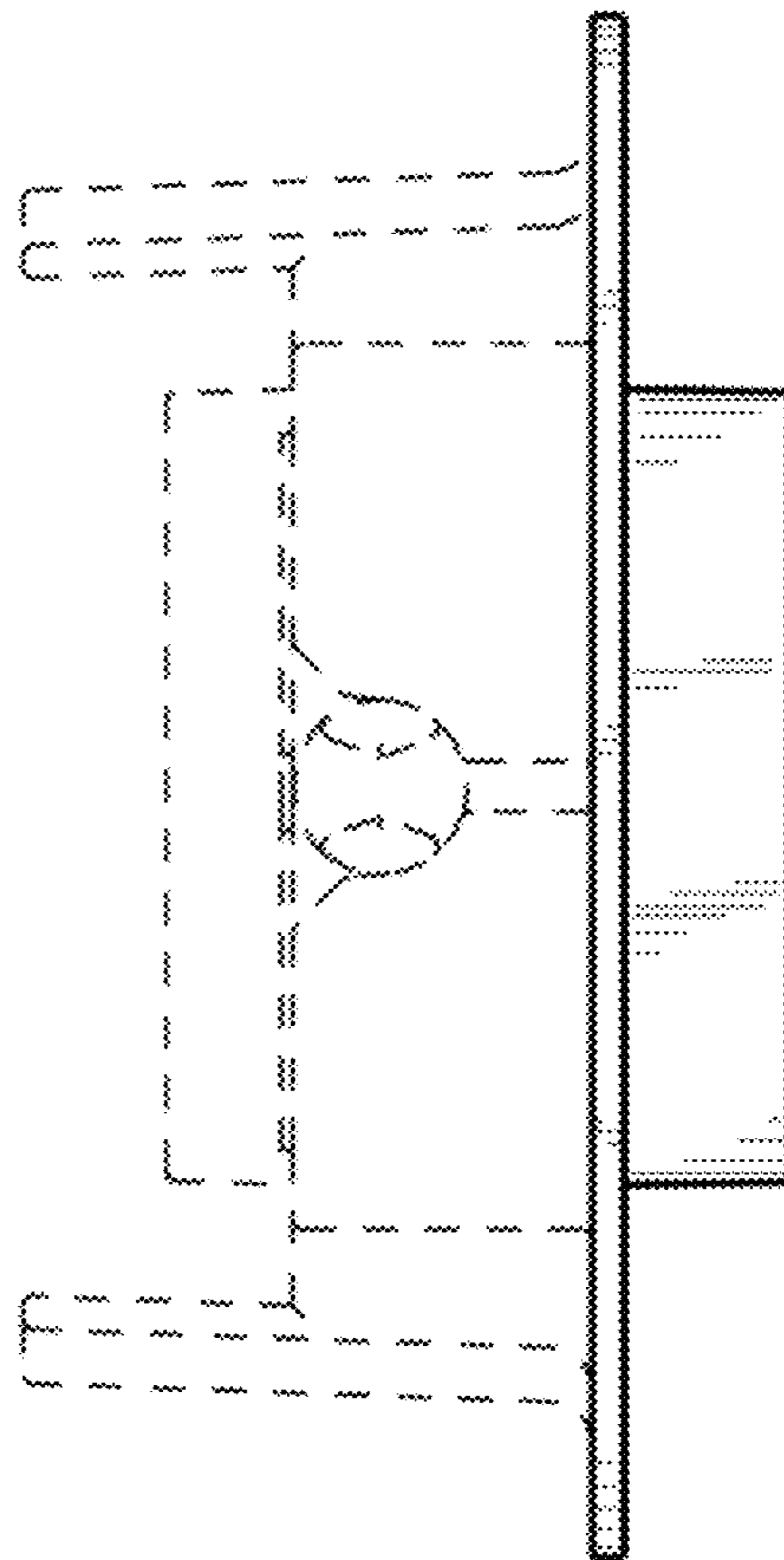
3.1



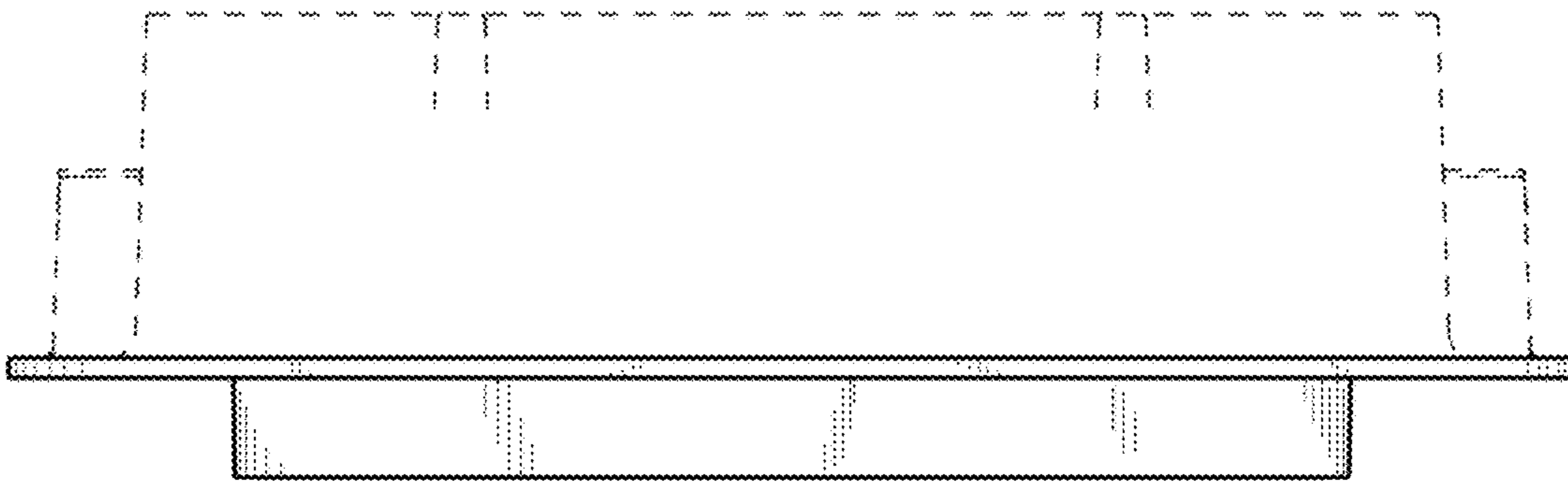
3.2



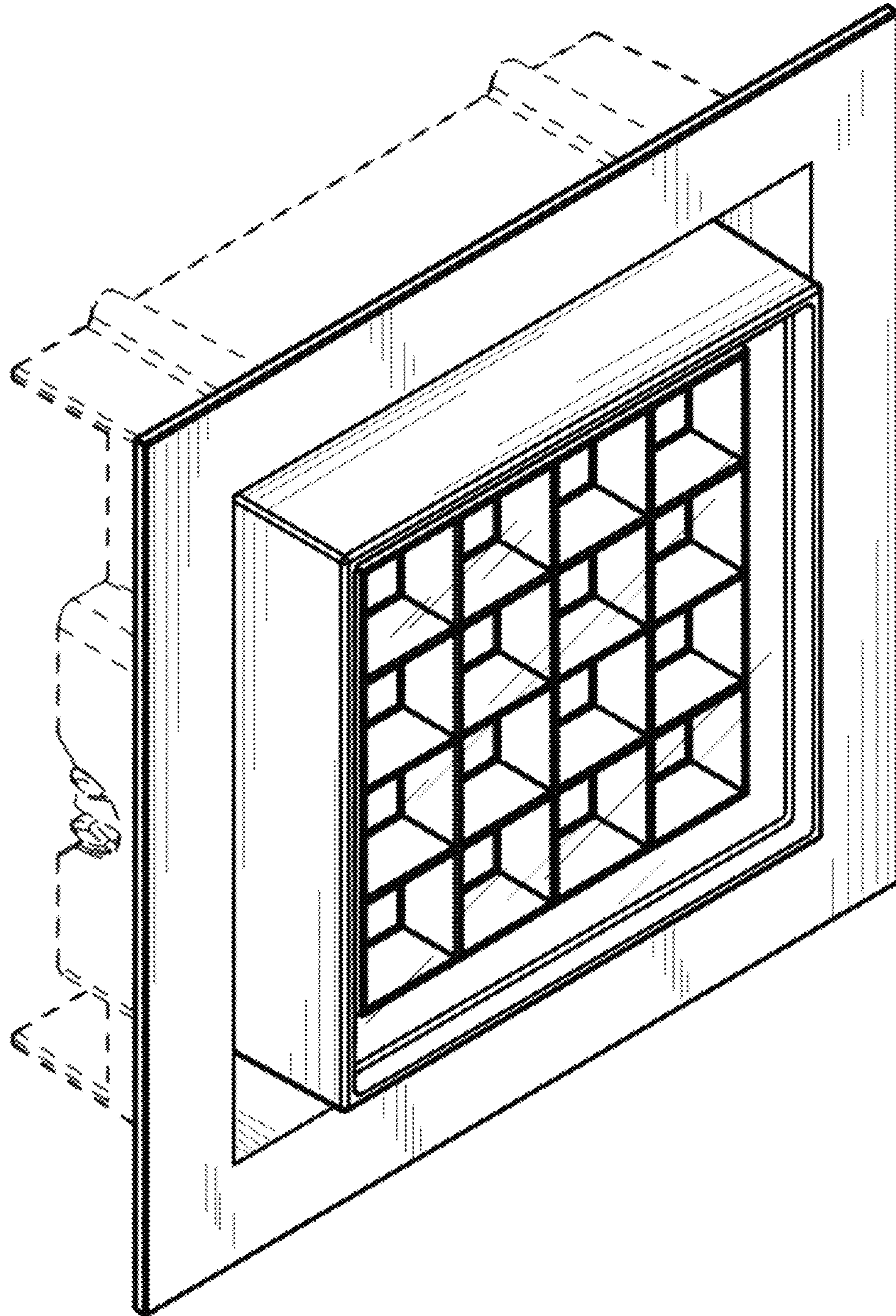
3.3



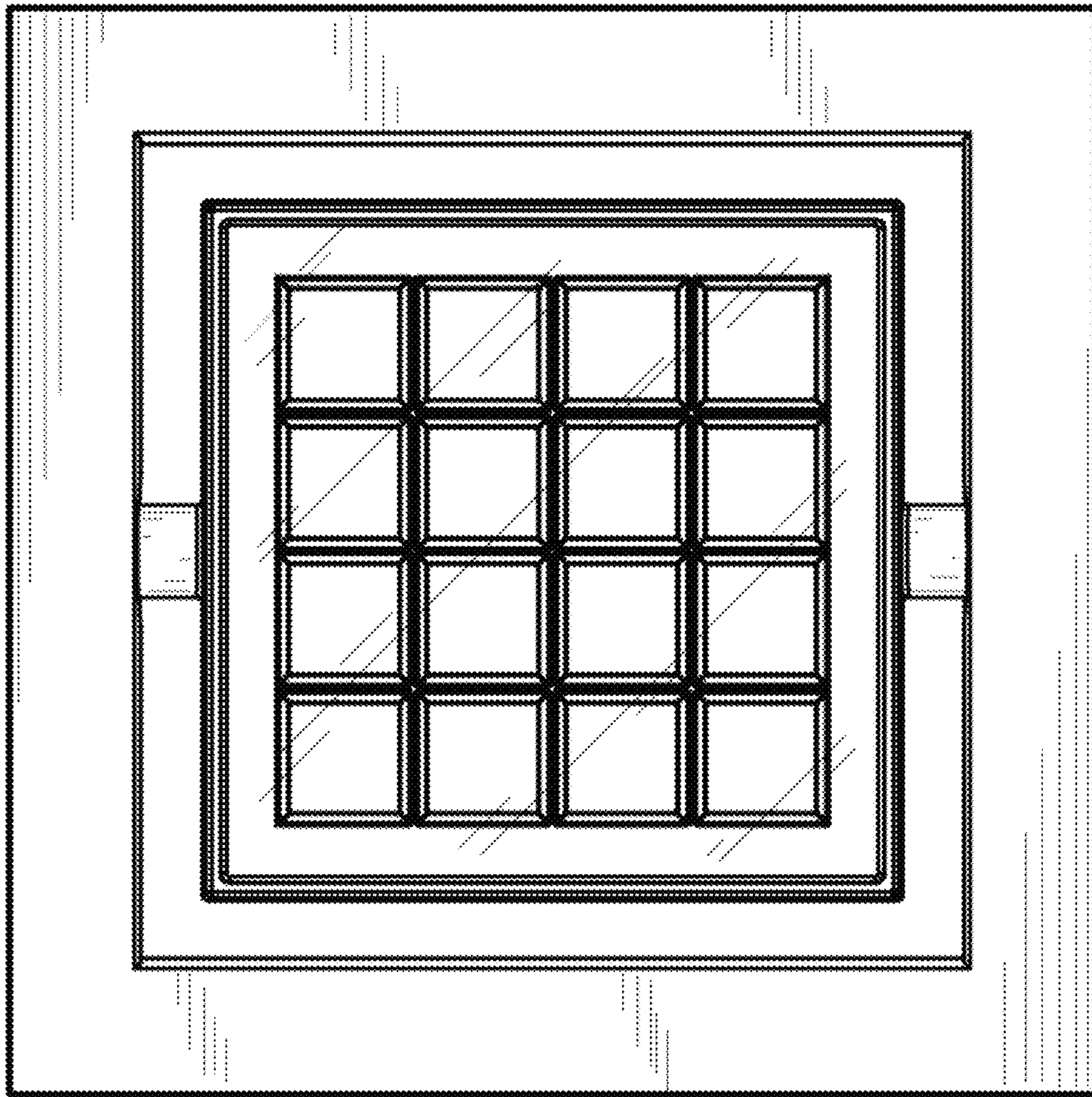
3.4



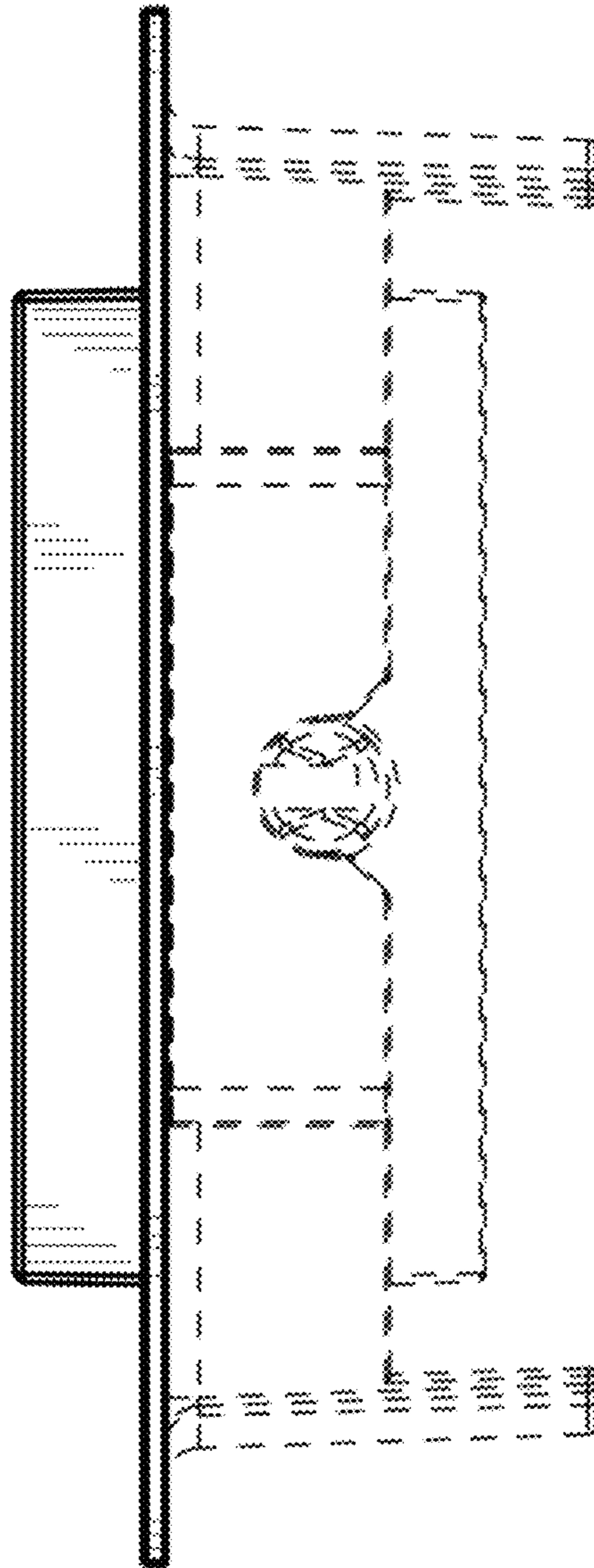
4.1



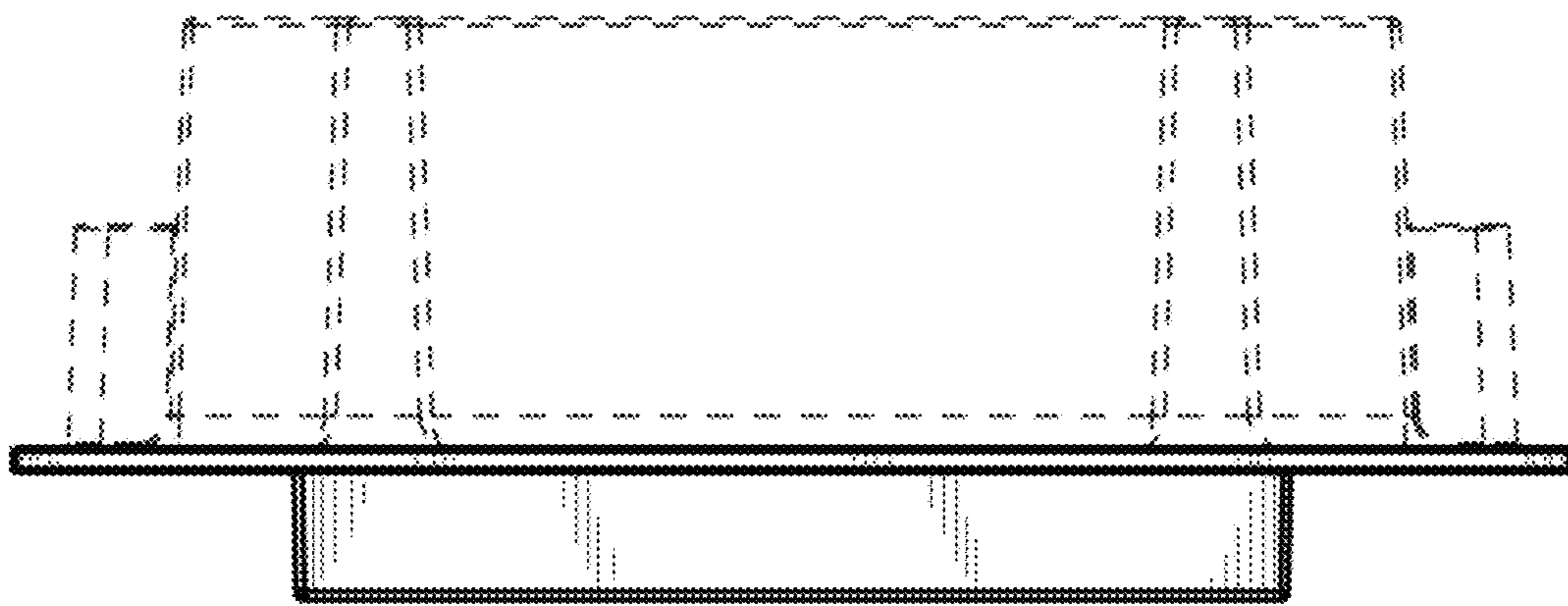
4.2



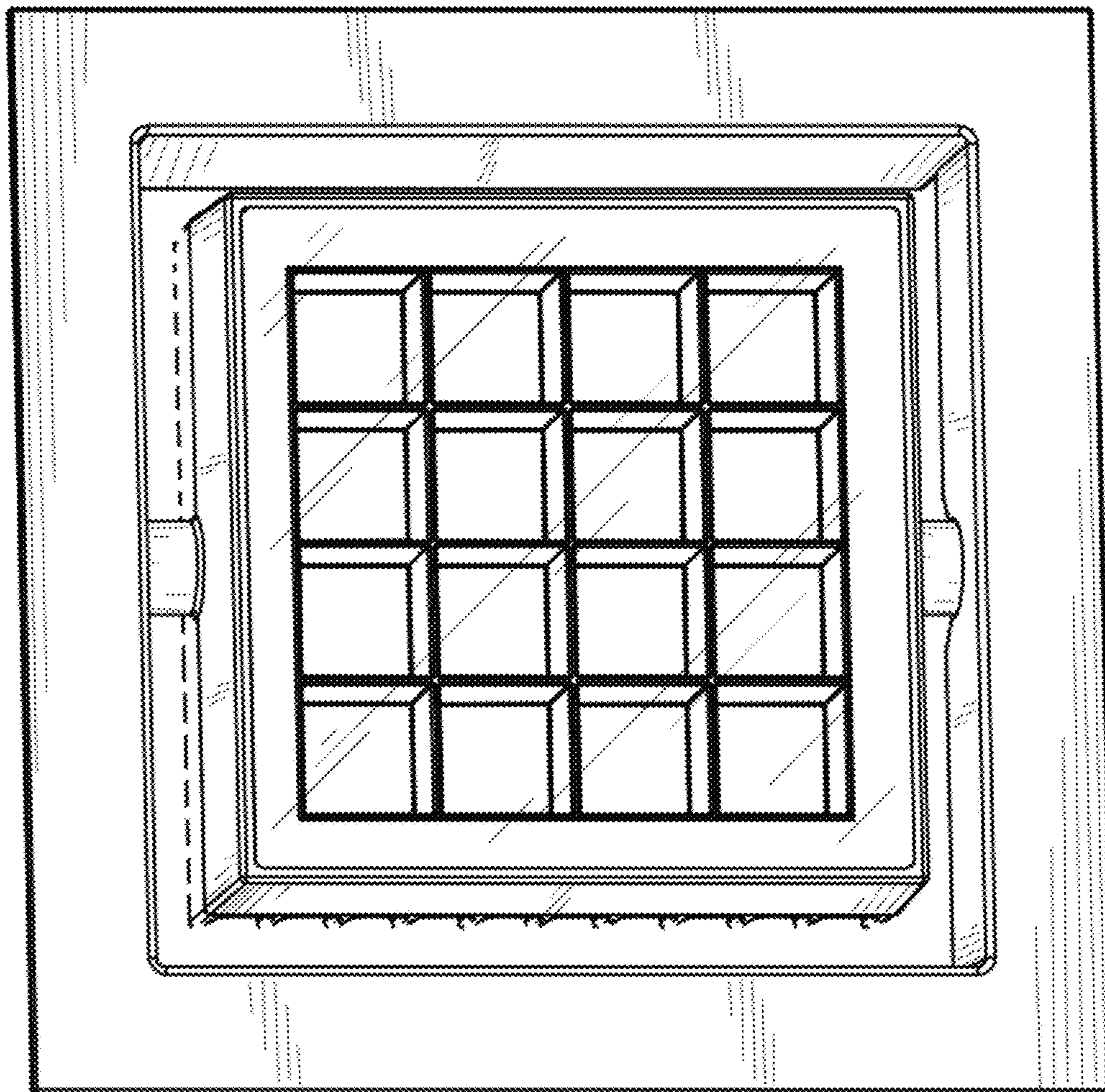
4.3



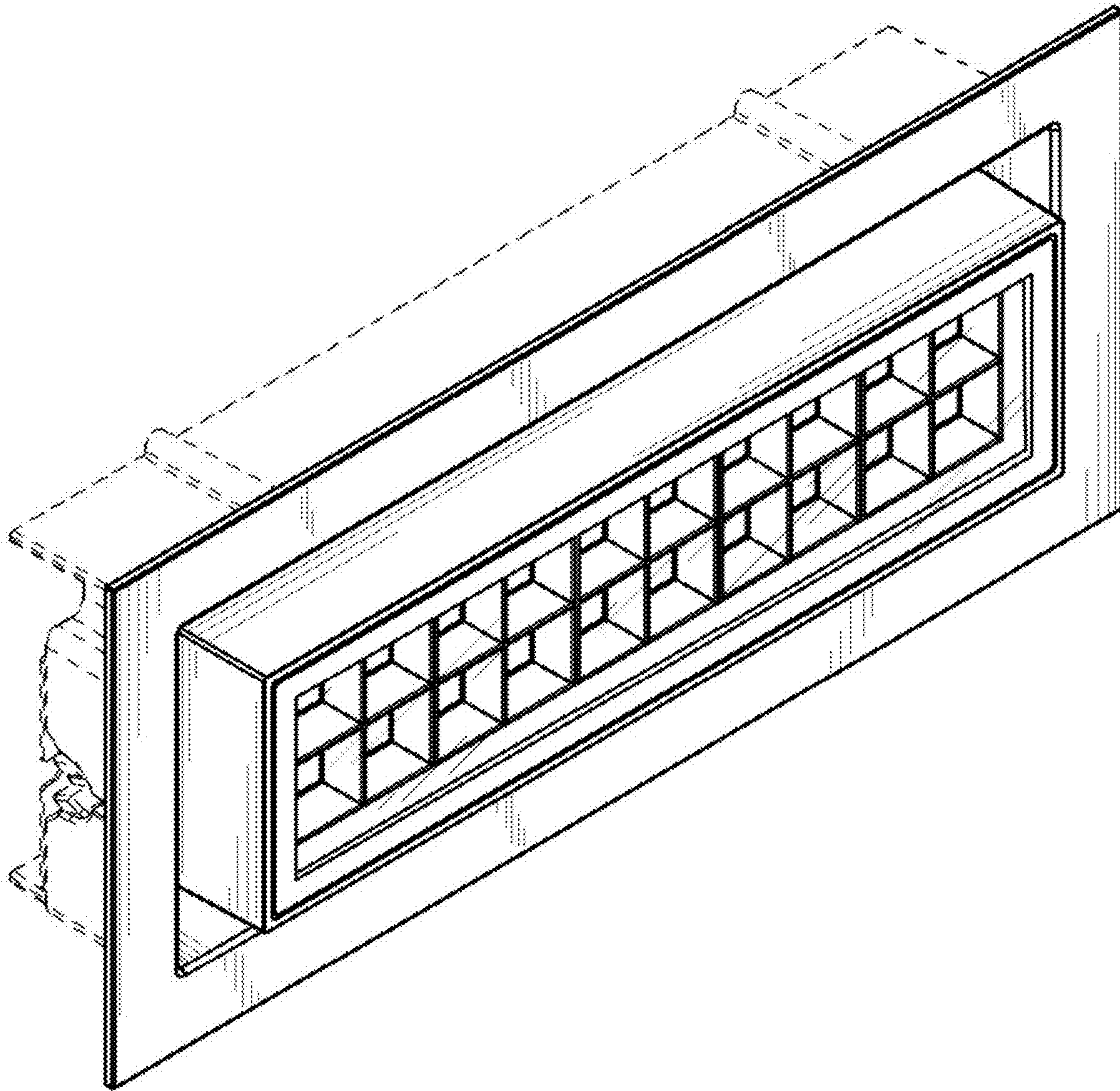
4.4



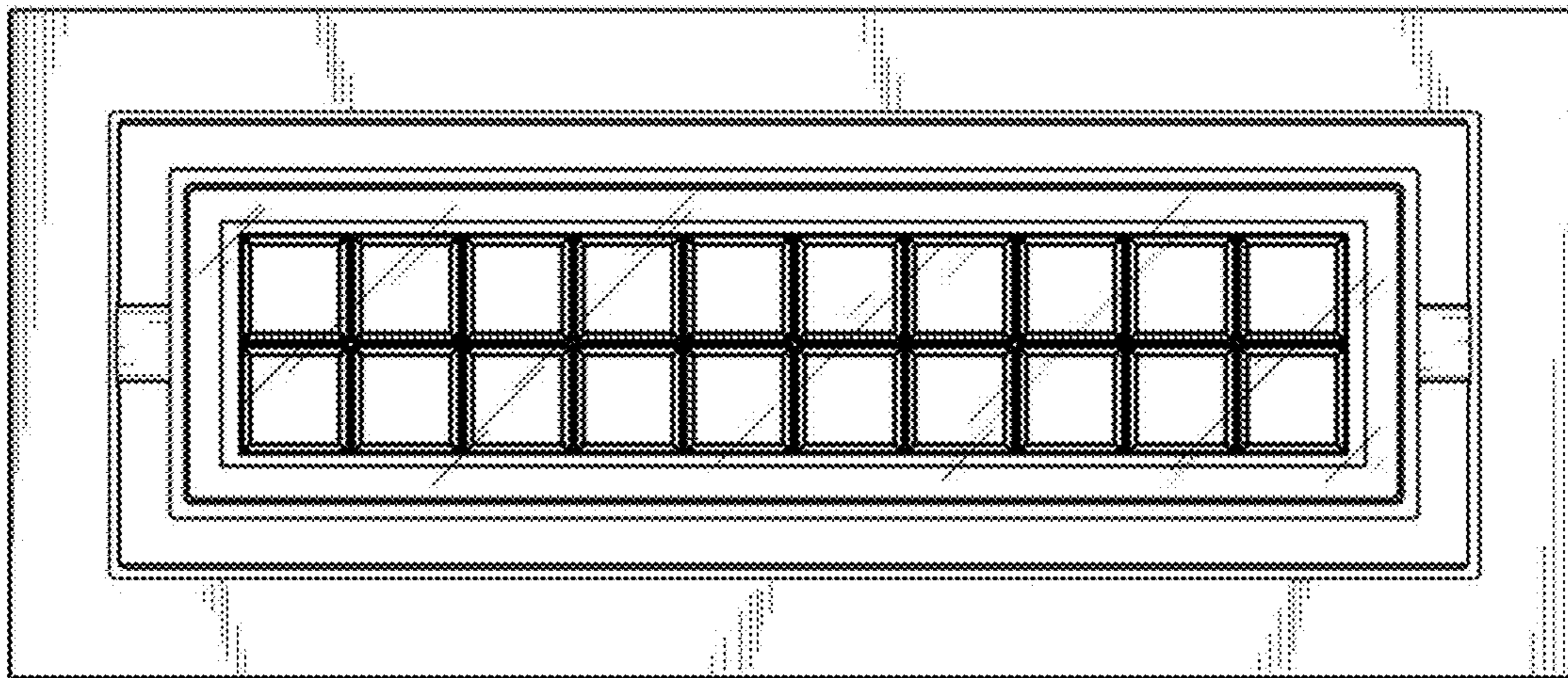
4.5



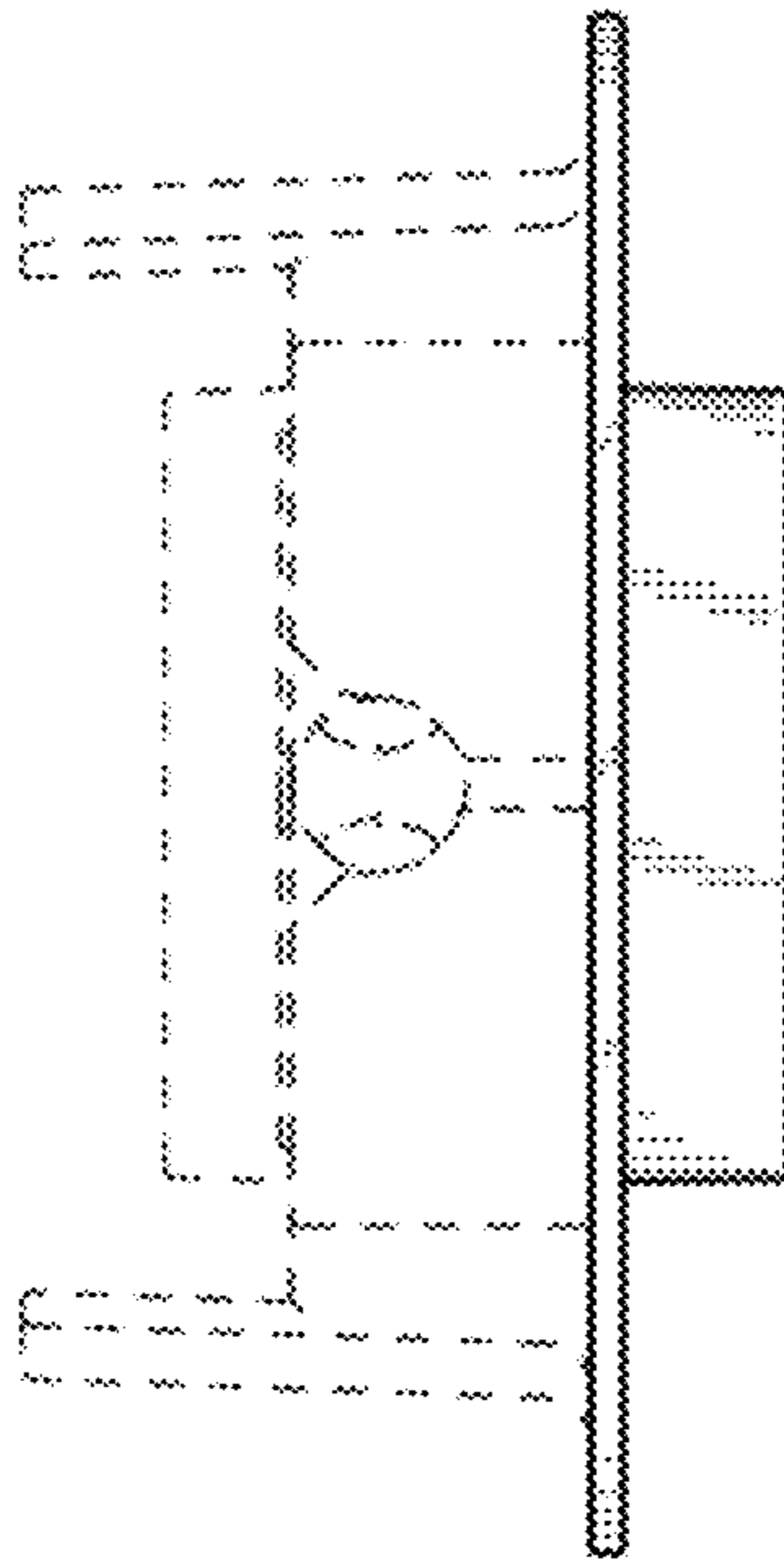
5.1



5.2



5.3



5.4

