



US00D829952S

(12) **United States Design Patent**
Chen

(10) **Patent No.:** **US D829,952 S**

(45) **Date of Patent:** **** Oct. 2, 2018**

(54) **RECESSED STAIR TREAD OR RISER LIGHT**

(71) Applicant: **Pengfei Chen**, Hubei Province (CN)

(72) Inventor: **Pengfei Chen**, Hubei Province (CN)

(**) Term: **15 Years**

(21) Appl. No.: **29/606,912**

(22) Filed: **Jun. 8, 2017**

(51) **LOC (11) Cl.** **26-03**

(52) **U.S. Cl.**
USPC **D26/74**

(58) **Field of Classification Search**
USPC D26/113, 118, 119, 120, 121, 122, 123,
D26/124, 74, 67, 125, 128, 135, 148, 145,
D26/155, 138

CPC F21V 5/004; F21V 5/041; F21V 5/005;
F21V 5/02; F21V 5/04; F21V 5/045;
F21V 5/007; F21V 5/01; G02B 3/10;
H01L 33/58; H01L 33/54

See application file for complete search history.

(56) **References Cited**

U.S. PATENT DOCUMENTS

D508,750 S * 8/2005 Rashidi D26/120
D509,314 S * 9/2005 Rashidi D26/120
D509,615 S * 9/2005 Rashidi D26/120
D510,151 S * 9/2005 Rashidi D26/120
7,722,216 B2 * 5/2010 Amor B63B 45/02
362/249.01

D634,884 S * 3/2011 Yoshinobu D26/123
D656,262 S * 3/2012 Yoshinobu D26/74
D663,878 S * 7/2012 Ho A01K 39/012
D26/67
D726,950 S * 4/2015 Serwacki D26/74
D743,079 S * 11/2015 Adair D26/67
D757,984 S * 5/2016 Breedlove, Sr. D26/67

* cited by examiner

Primary Examiner — Brian N. Vinson

(74) *Attorney, Agent, or Firm* — Novoclaims Patent
Services LLC; Mei Lin Wong

(57) **CLAIM**

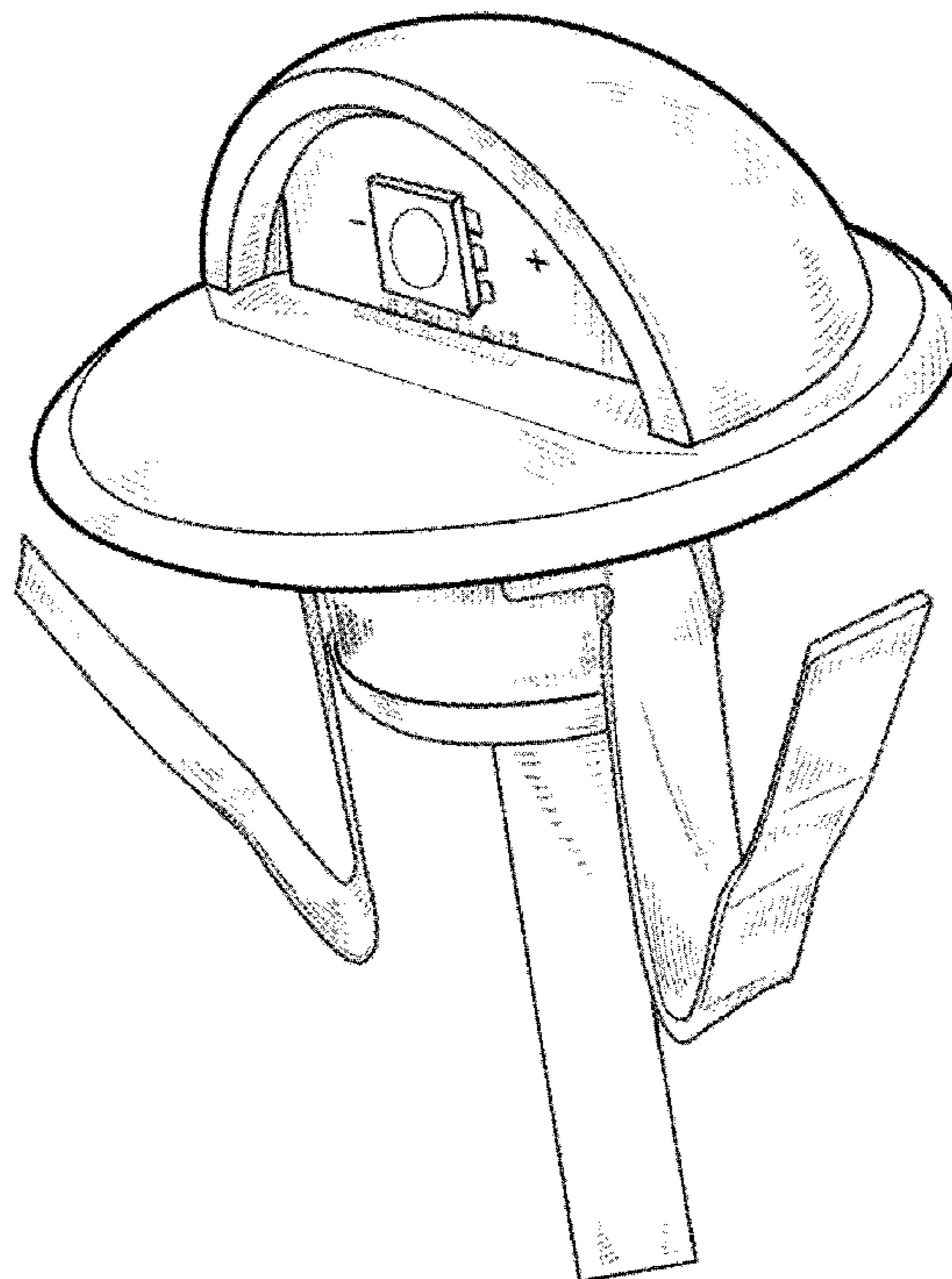
The ornamental design for a recessed stair tread or riser
light, as shown and described.

DESCRIPTION

FIG. 1 is a Front elevational view of a recessed stair tread
or riser light showing my new design;
FIG. 2 is a Rear elevational view thereof;
FIG. 3 is a Left side view thereof;
FIG. 4 is a Right side view thereof;
FIG. 5 is a Top plan view thereof;
FIG. 6 is a Bottom plan view thereof; and,
FIG. 7 is a Perspective view thereof.

The broken lines in the drawing depict portions of the
recessed stair tread or riser light that form no part of the
claimed design.

1 Claim, 7 Drawing Sheets



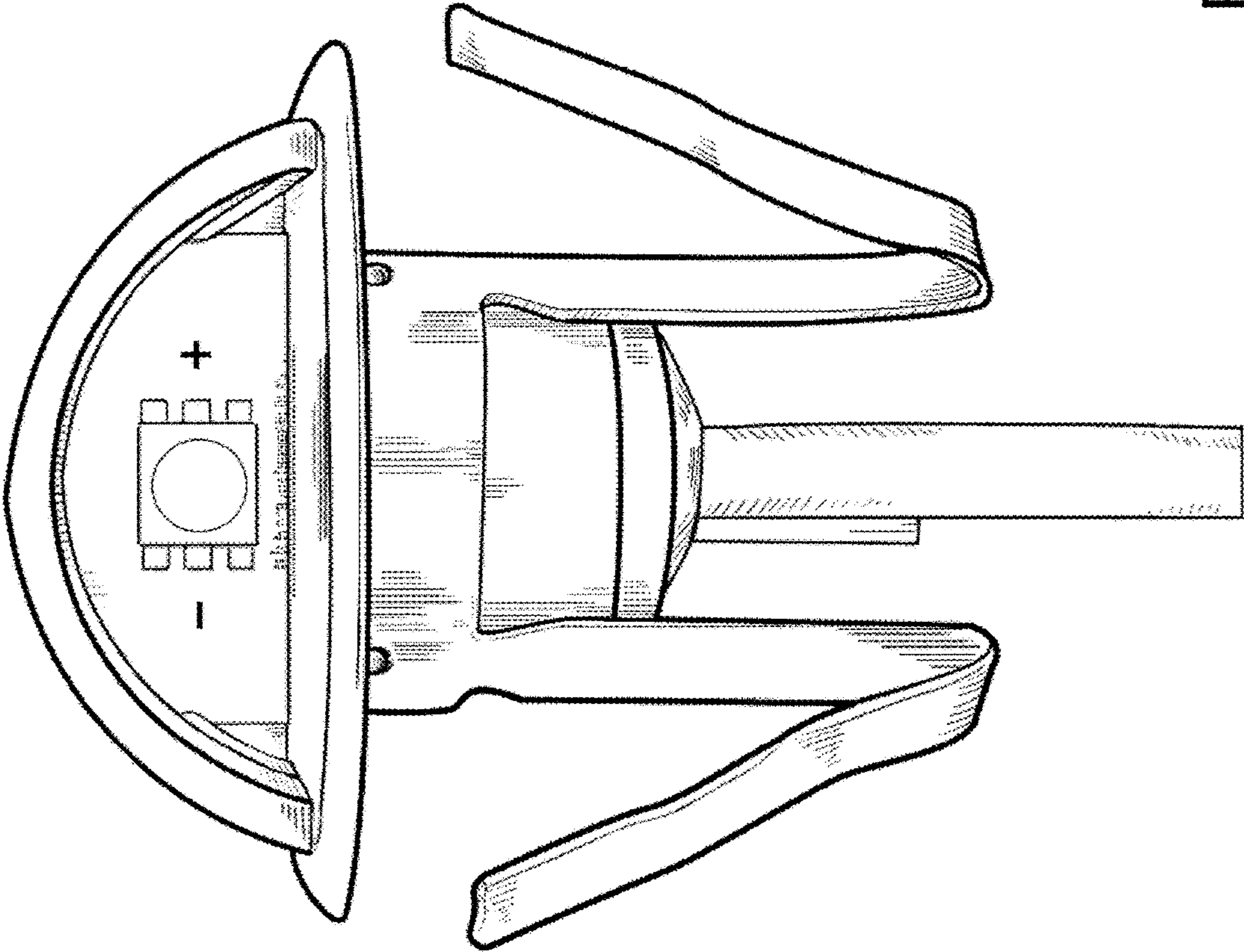


FIG. 1

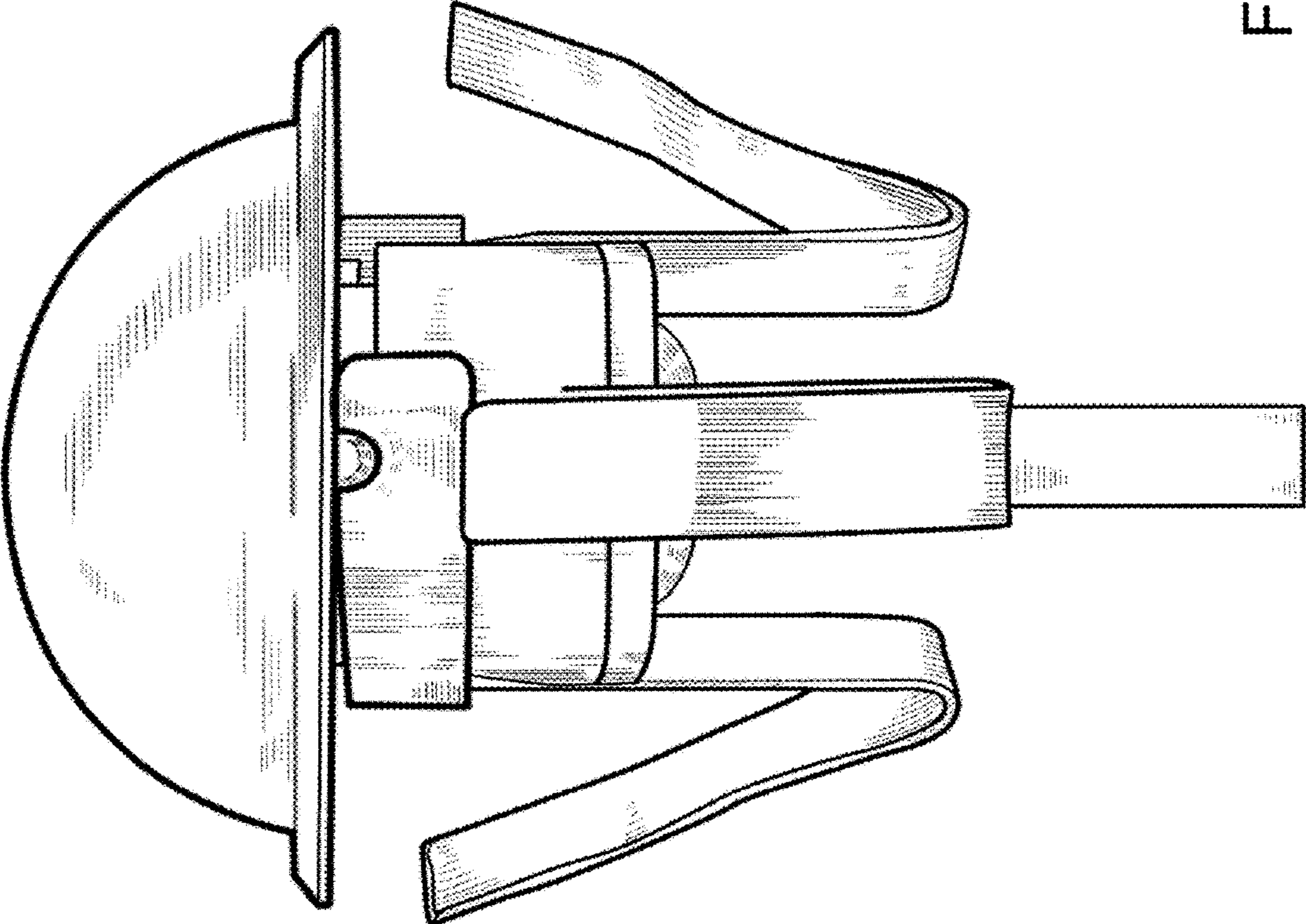


FIG. 2

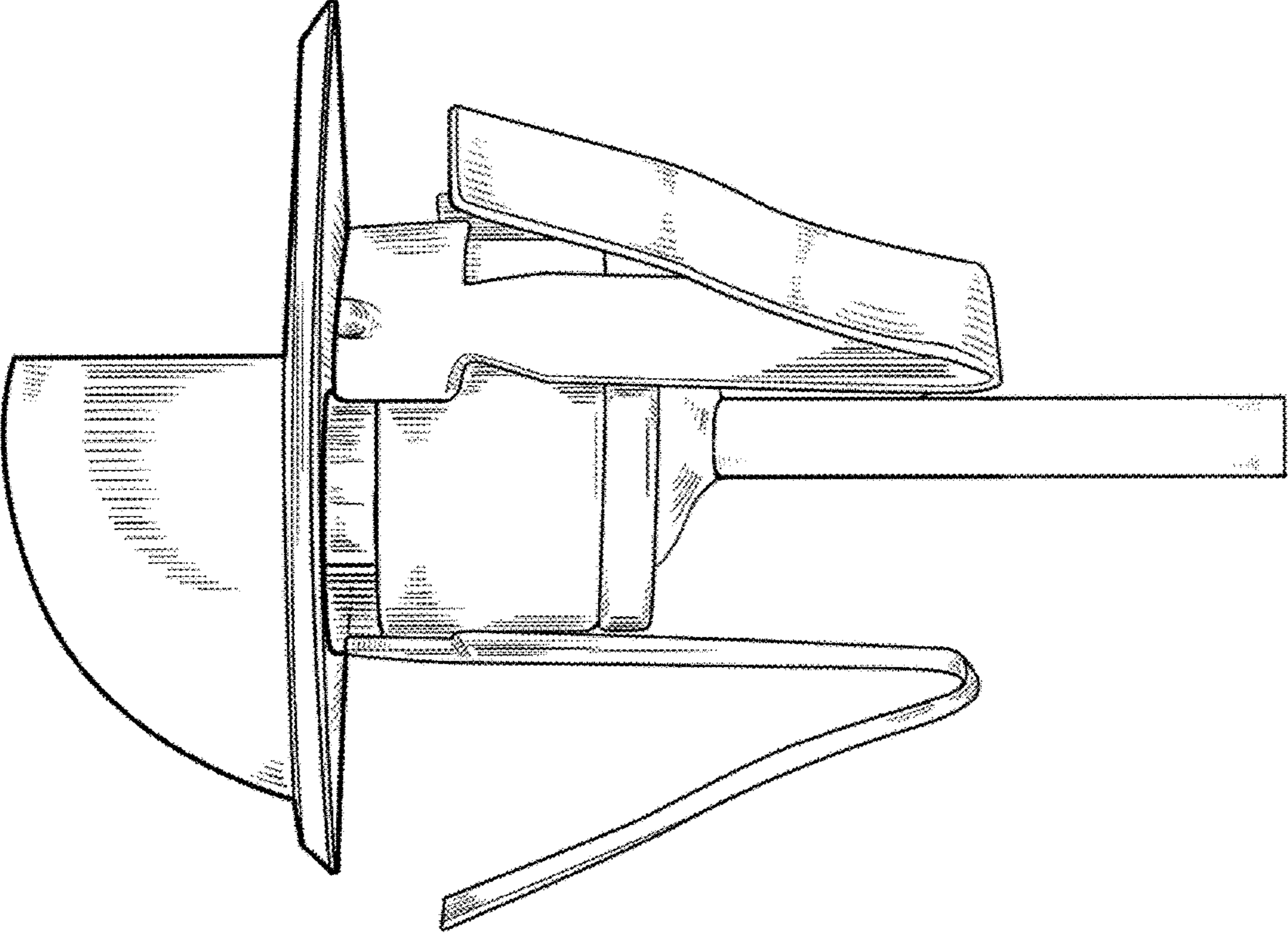


FIG. 3

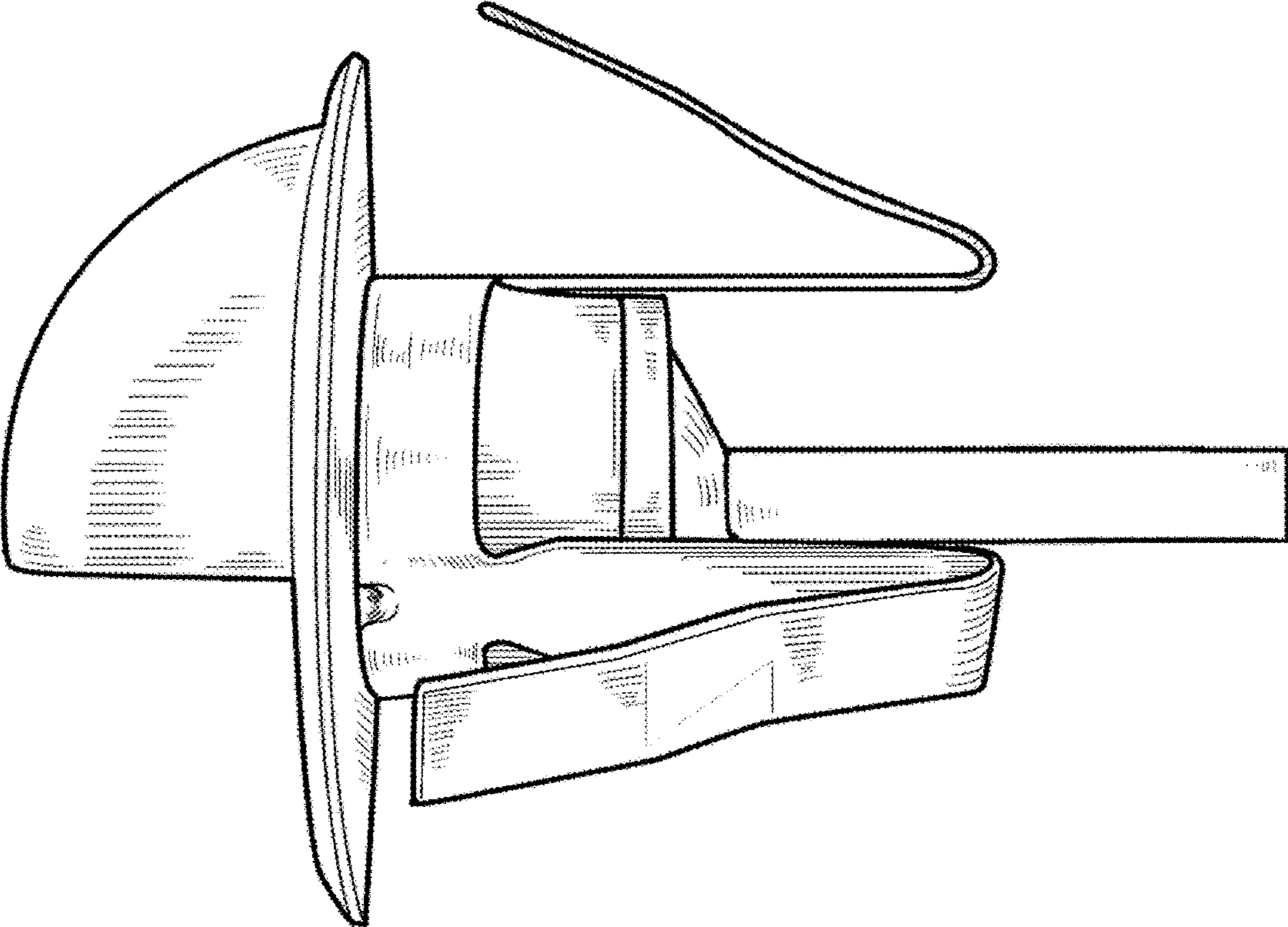


FIG. 4

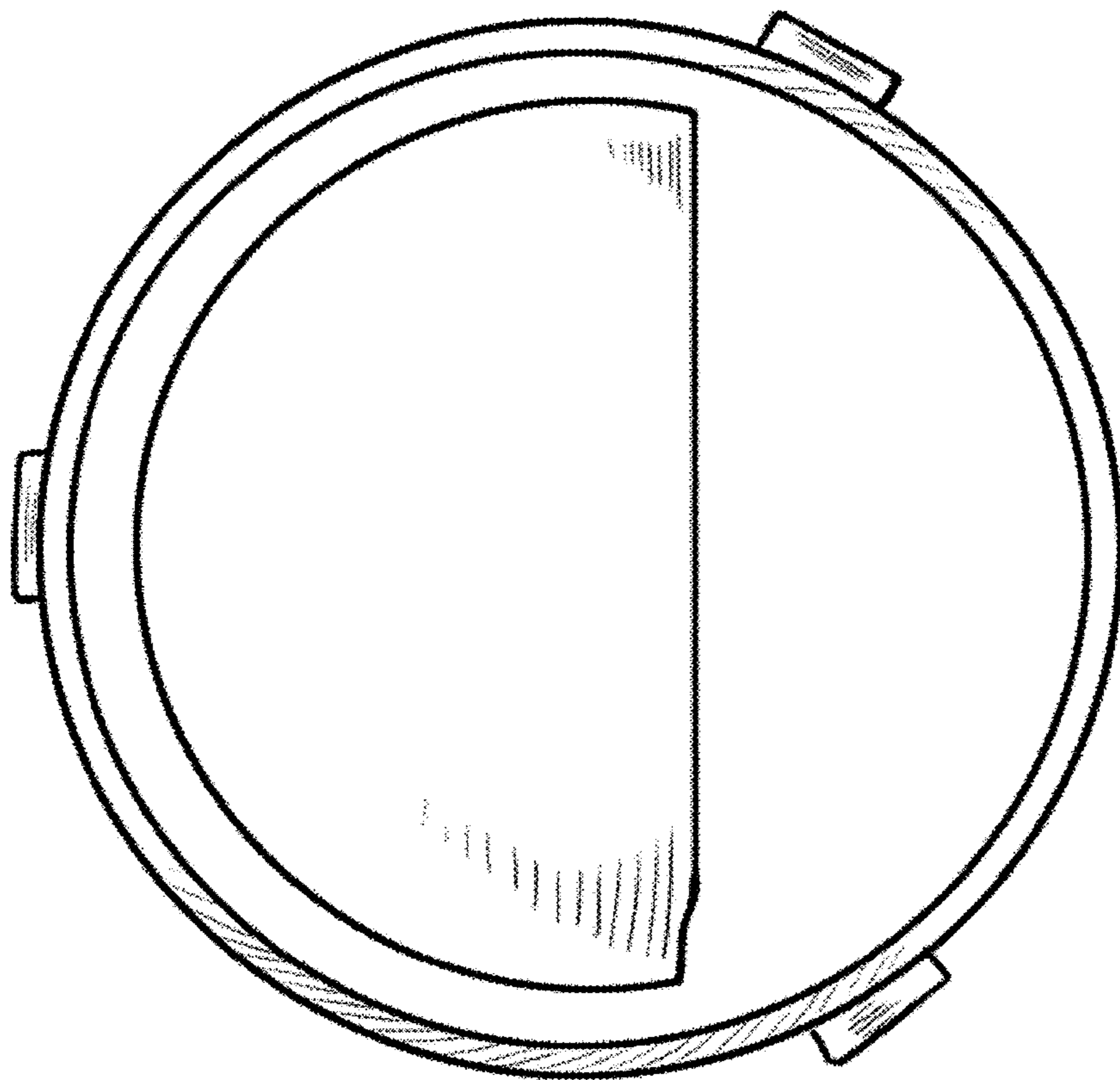


FIG. 5

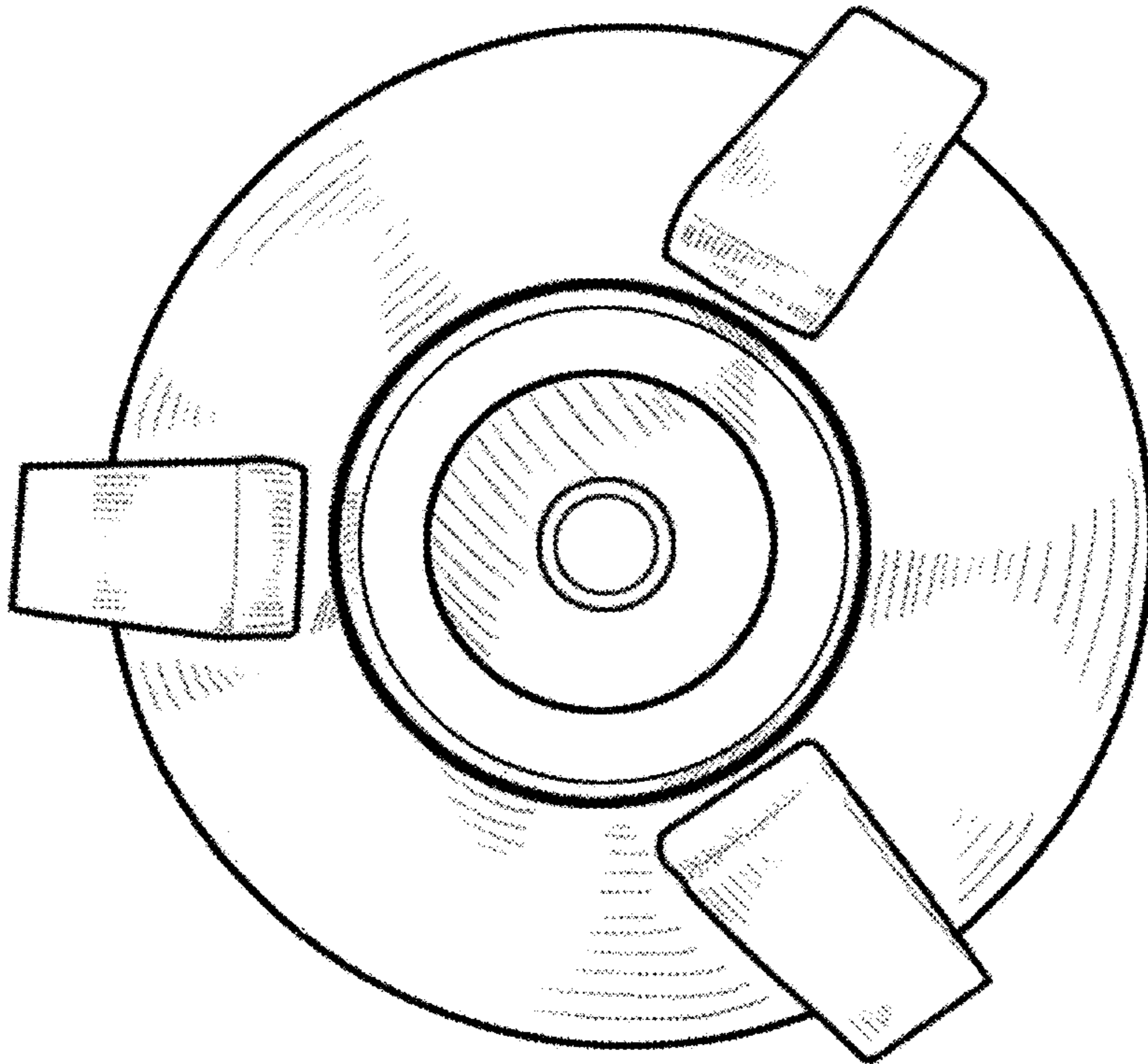


FIG. 6

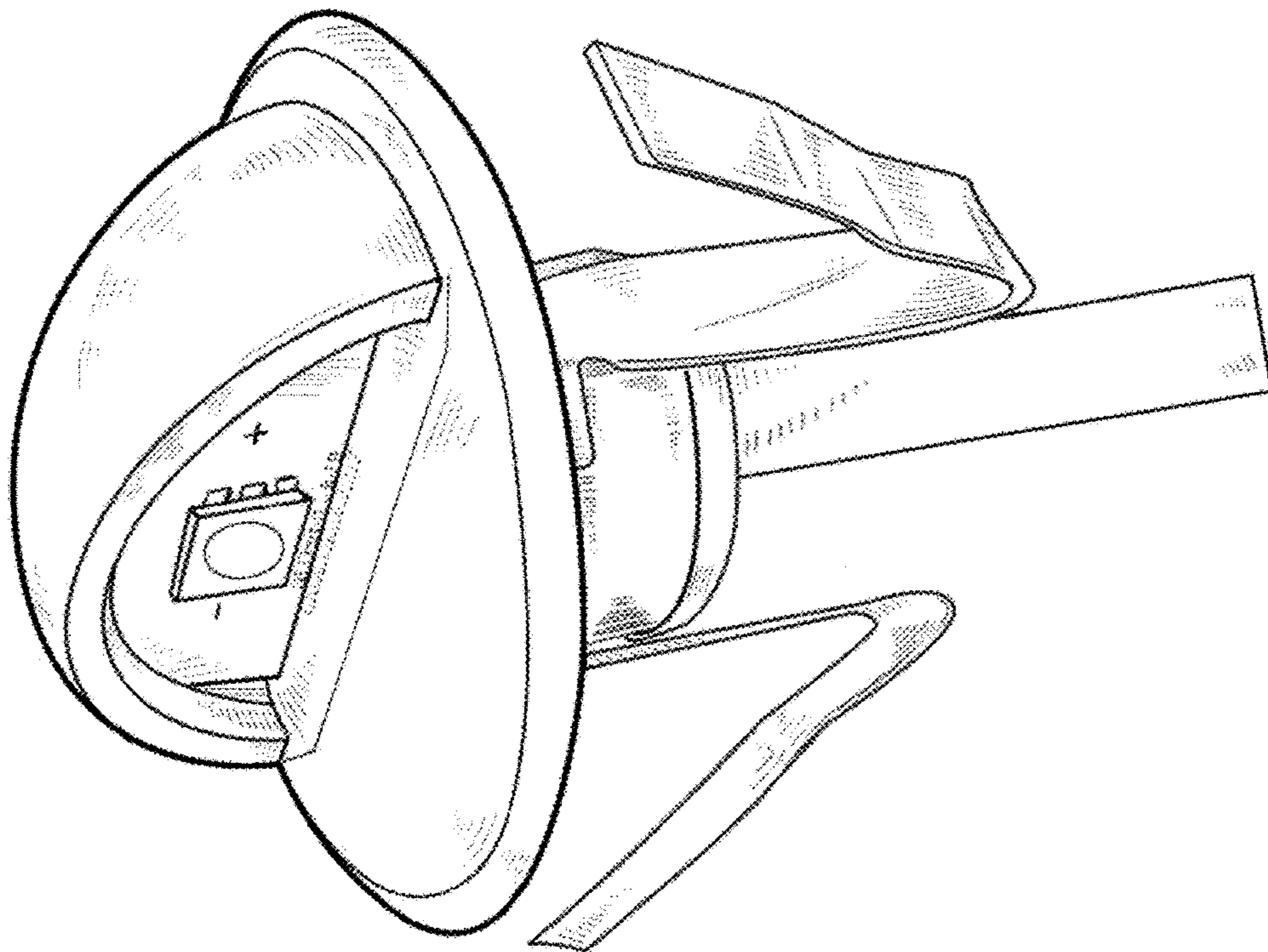


FIG. 7