



US00D829950S

(12) **United States Design Patent**
Ko

(10) **Patent No.:** **US D829,950 S**

(45) **Date of Patent:** **** Oct. 2, 2018**

(54) **LIGHT BAR ASSEMBLY**

(71) Applicants: **In Hong Ko**, Seoul (KR); **VISION X ASIA CO., LTD.**, Hwaseong-si (KR)

(72) Inventor: **In Hong Ko**, Seoul (KR)

(73) Assignees: **In Hong Ko**, Seoul (KR); **VISION X ASIA CO., LTD.**, Hwaseong-si (KR)

(**) Term: **15 Years**

(21) Appl. No.: **29/624,981**

(22) Filed: **Nov. 6, 2017**

(30) **Foreign Application Priority Data**

May 12, 2017 (KR) 30-2017-0021376

(51) **LOC (11) Cl.** **26-06**

(52) **U.S. Cl.**
USPC **D26/31**

(58) **Field of Classification Search**
USPC D26/28-36; 362/80-83, 267-269,
362/459-468, 475-478, 485-487
CPC B60Q 9/13; B60Q 9/135; B60Q 9/1375;
B60Q 1/0834; F21S 48/00; F21S 48/10;
F21S 48/115; F21S 48/225; F21S
48/1233; F21S 48/1266; F21S 48/1388;
F21S 48/2268; F21V 21/04
See application file for complete search history.

(56) **References Cited**

U.S. PATENT DOCUMENTS

D526,430 S * 8/2006 Hernandez D26/31
D576,754 S * 9/2008 Wang D26/31

D642,302 S * 7/2011 Schiavone D26/28
D643,951 S * 8/2011 Cai D26/28

* cited by examiner

Primary Examiner — Marcus Jackson

(74) *Attorney, Agent, or Firm* — Cantor Colburn LLP

(57) **CLAIM**

The ornamental design for a light bar assembly, as shown and described.

DESCRIPTION

FIG. 1 is a front perspective view of a light bar assembly showing my new design;
FIG. 2 is a rear side perspective view thereof;
FIG. 3 is a front elevational view thereof;
FIG. 4 is a rear elevational view thereof;
FIG. 5 is a left side elevational view thereof;
FIG. 6 is a right side elevational view thereof;
FIG. 7 is a top plan view thereof;
FIG. 8 is a bottom plan view thereof;
FIG. 9 is an enlarged view of a dot-circled portion 9 in FIG. 1;
FIG. 10 is an enlarged view of a dot-circled portion 10 in FIG. 2;
FIG. 11 is an enlarged view of a dot-circled portion 11 in FIG. 4;
FIG. 12 is an enlarged view of a dot-circled portion 12 in FIG. 7; and,
FIG. 13 is an enlarged view of a dot-circled portion 13 in FIG. 8.

1 Claim, 9 Drawing Sheets

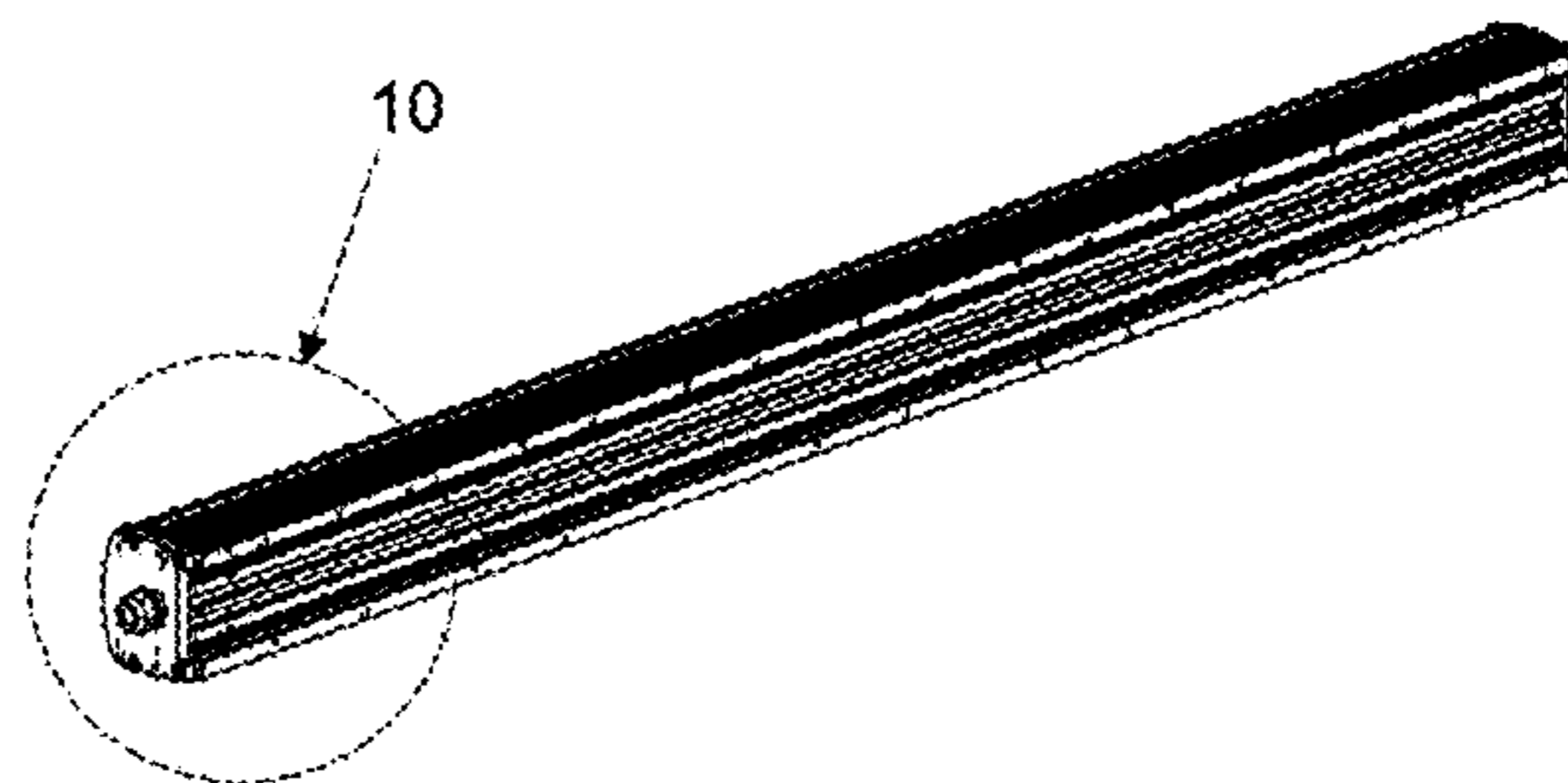
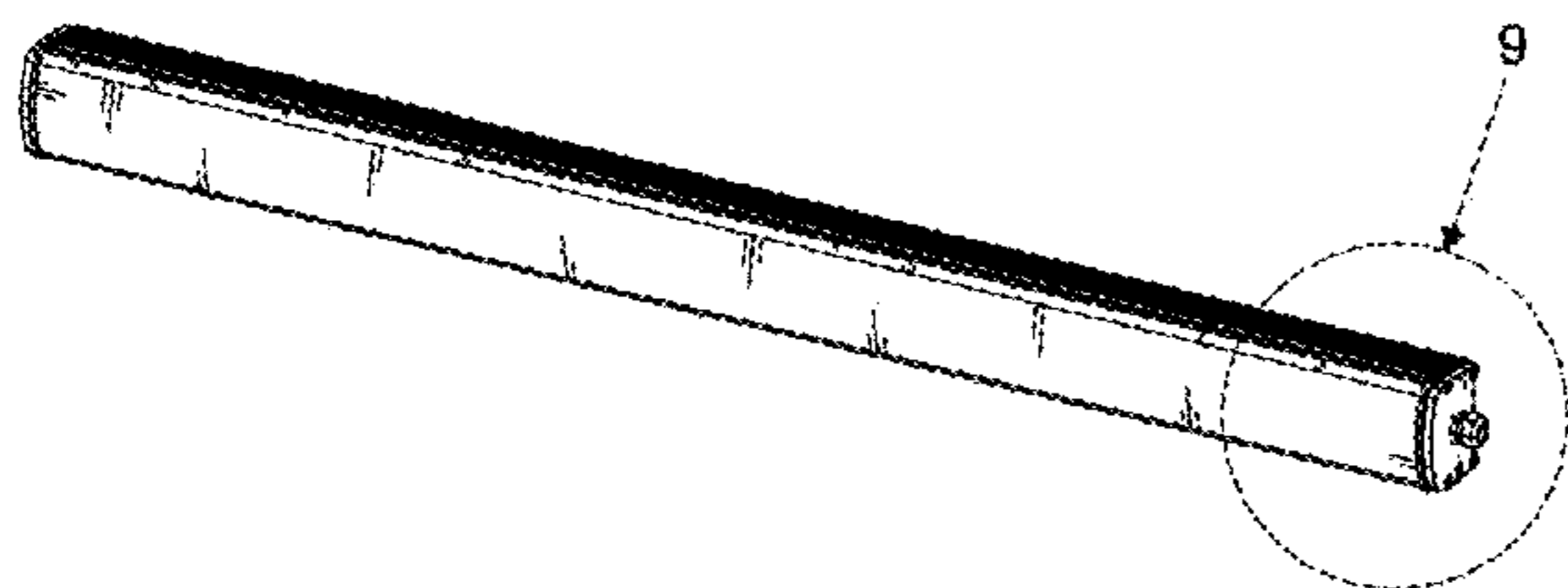


FIG. 1

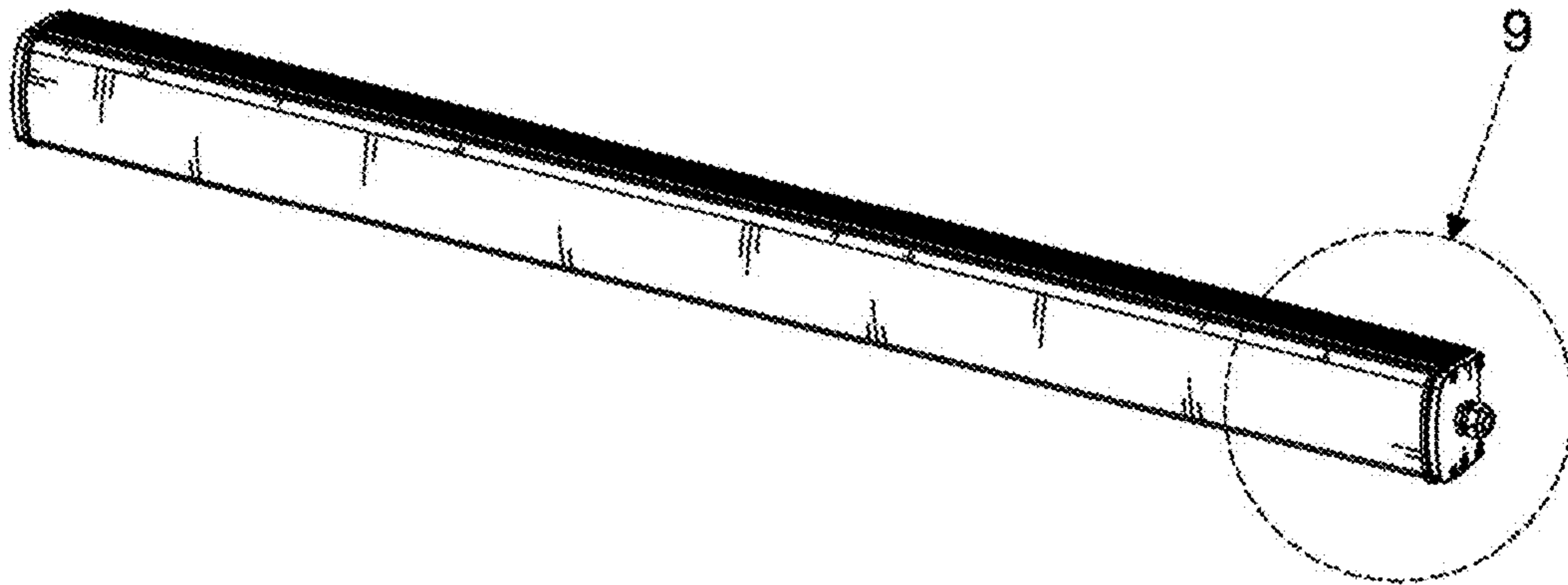


FIG. 2

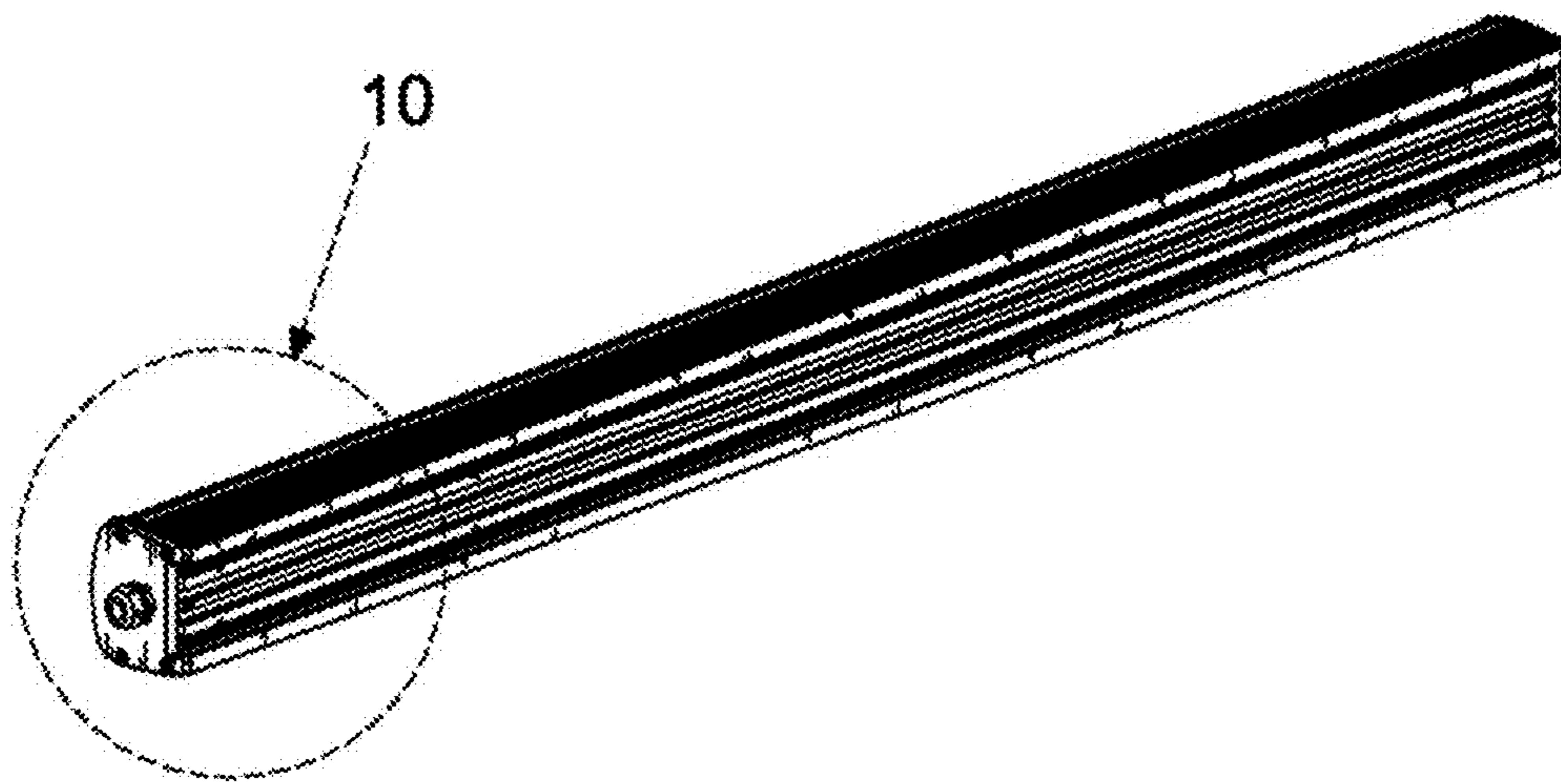


FIG. 3



FIG. 4

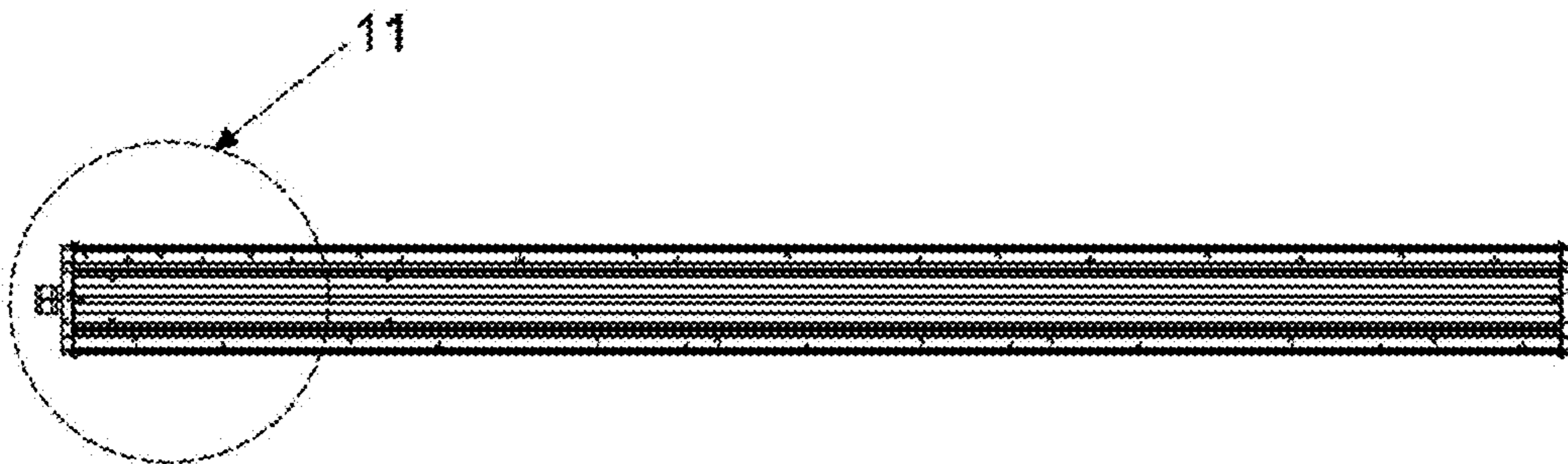


FIG. 5

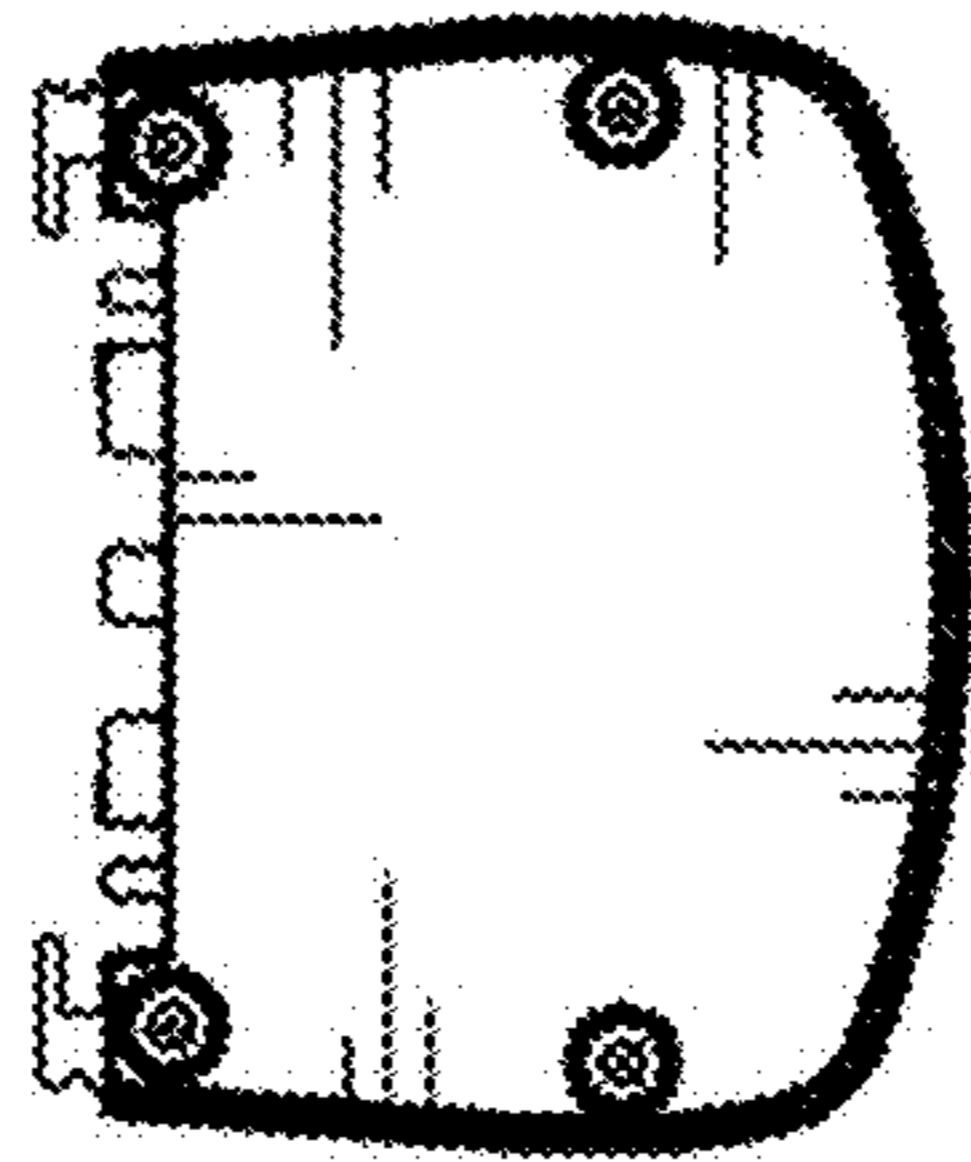


FIG. 6

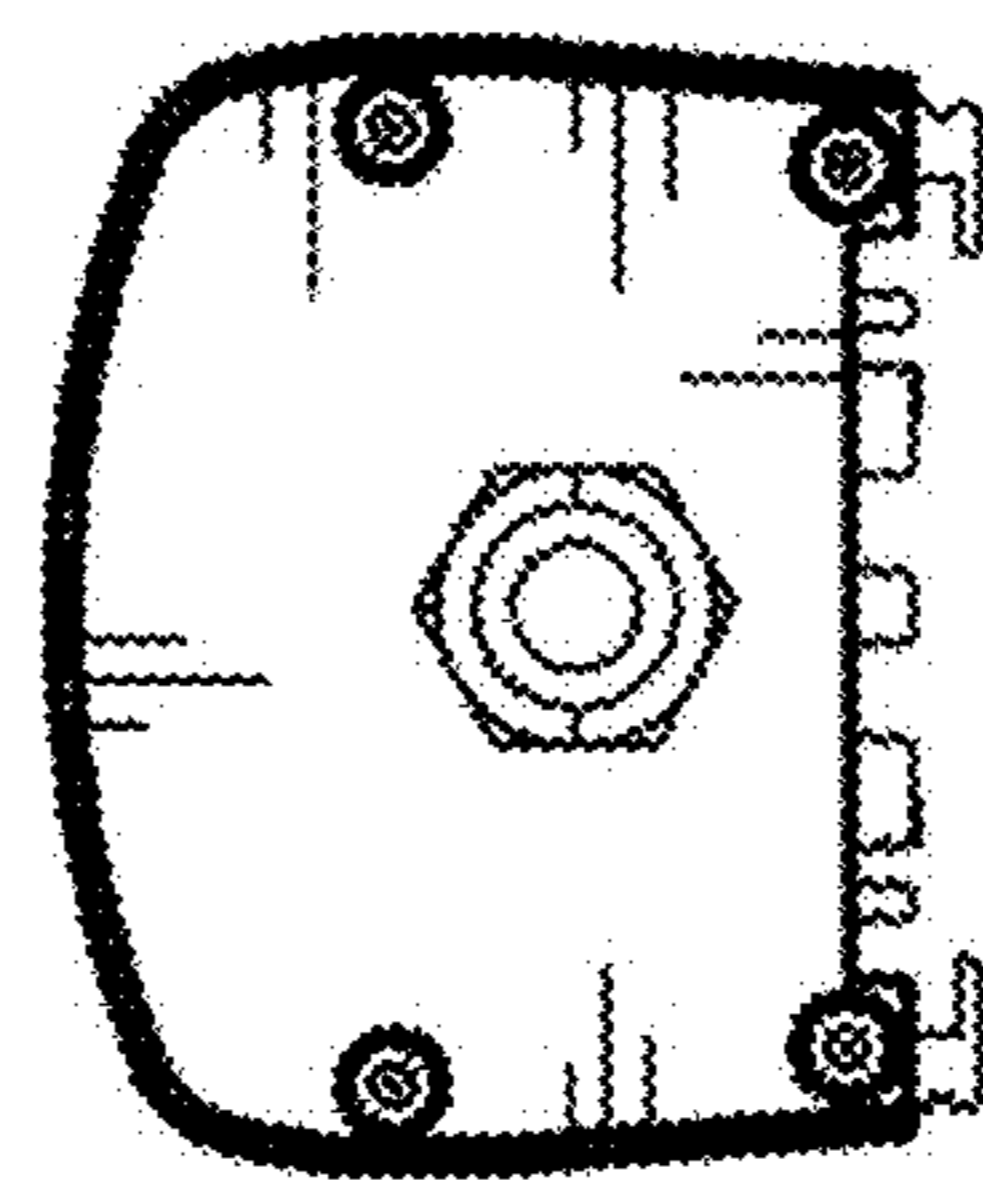


FIG. 7

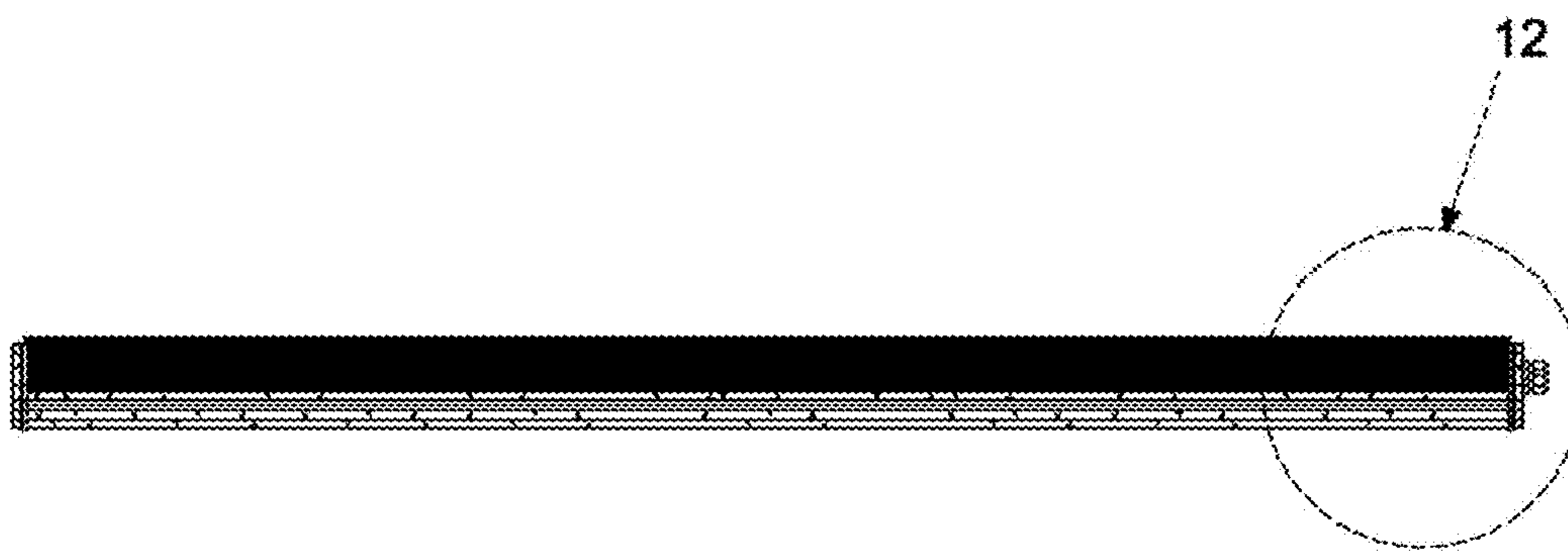


FIG. 8



FIG. 9

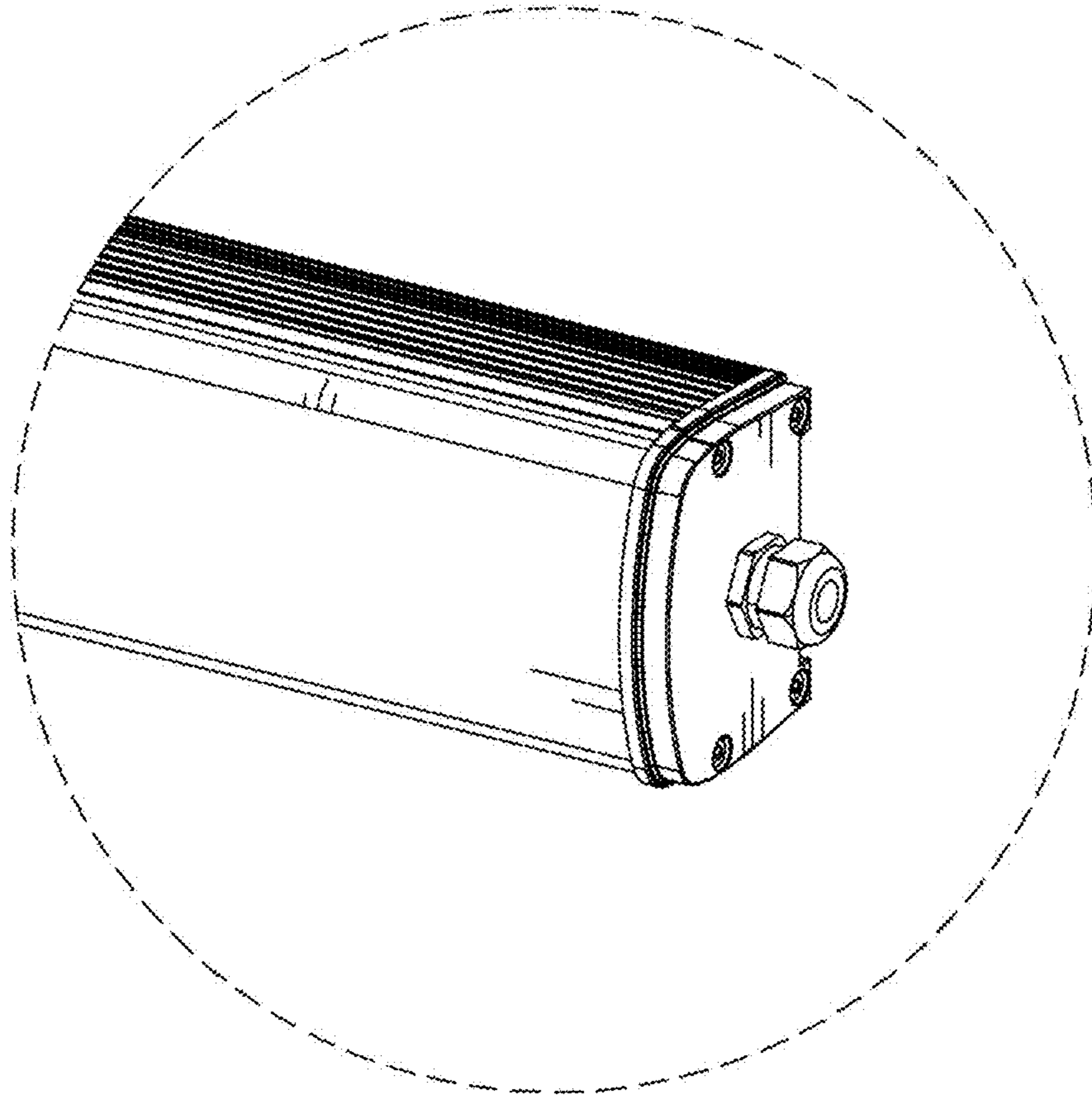


FIG. 10

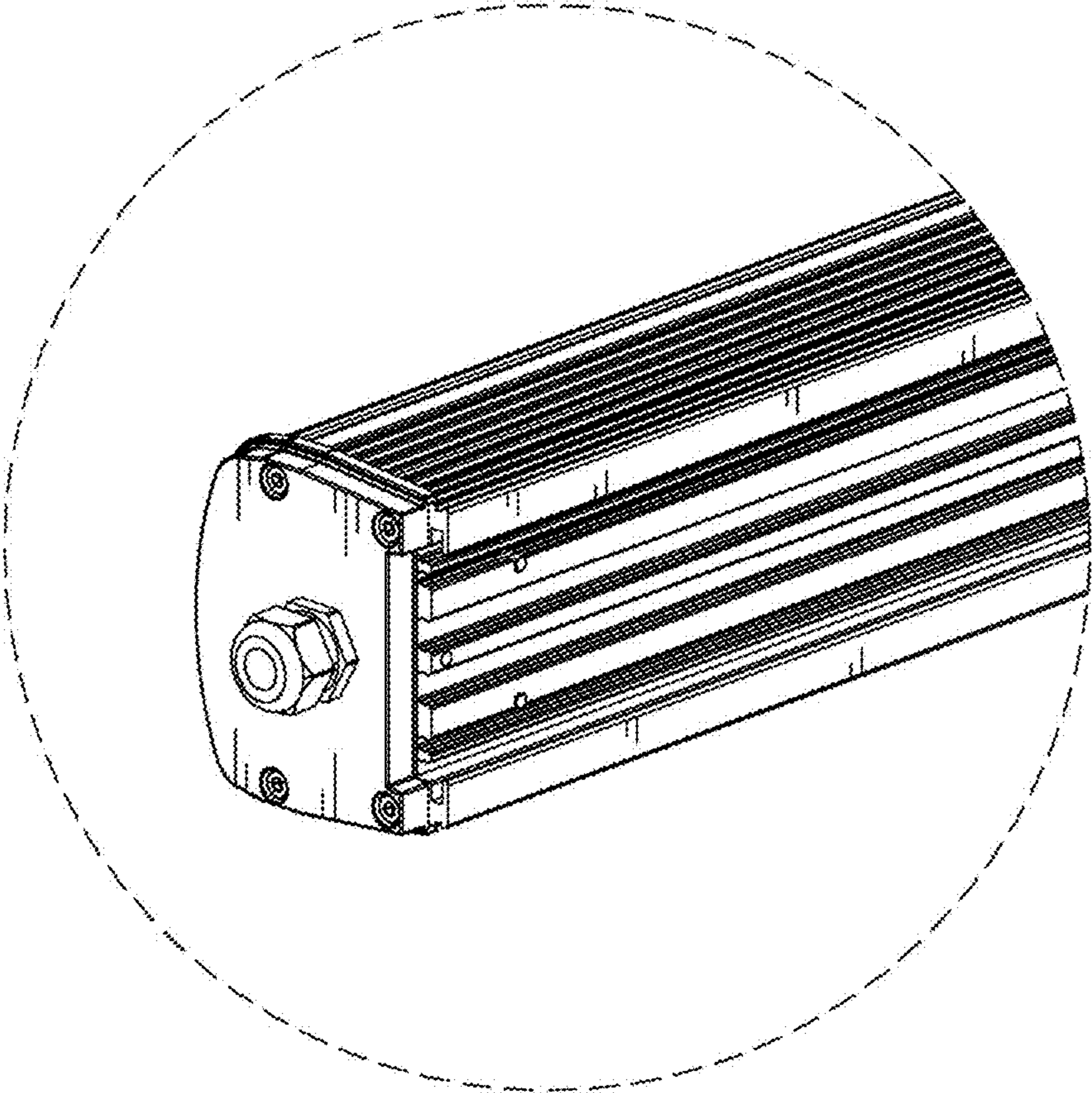


FIG. 11

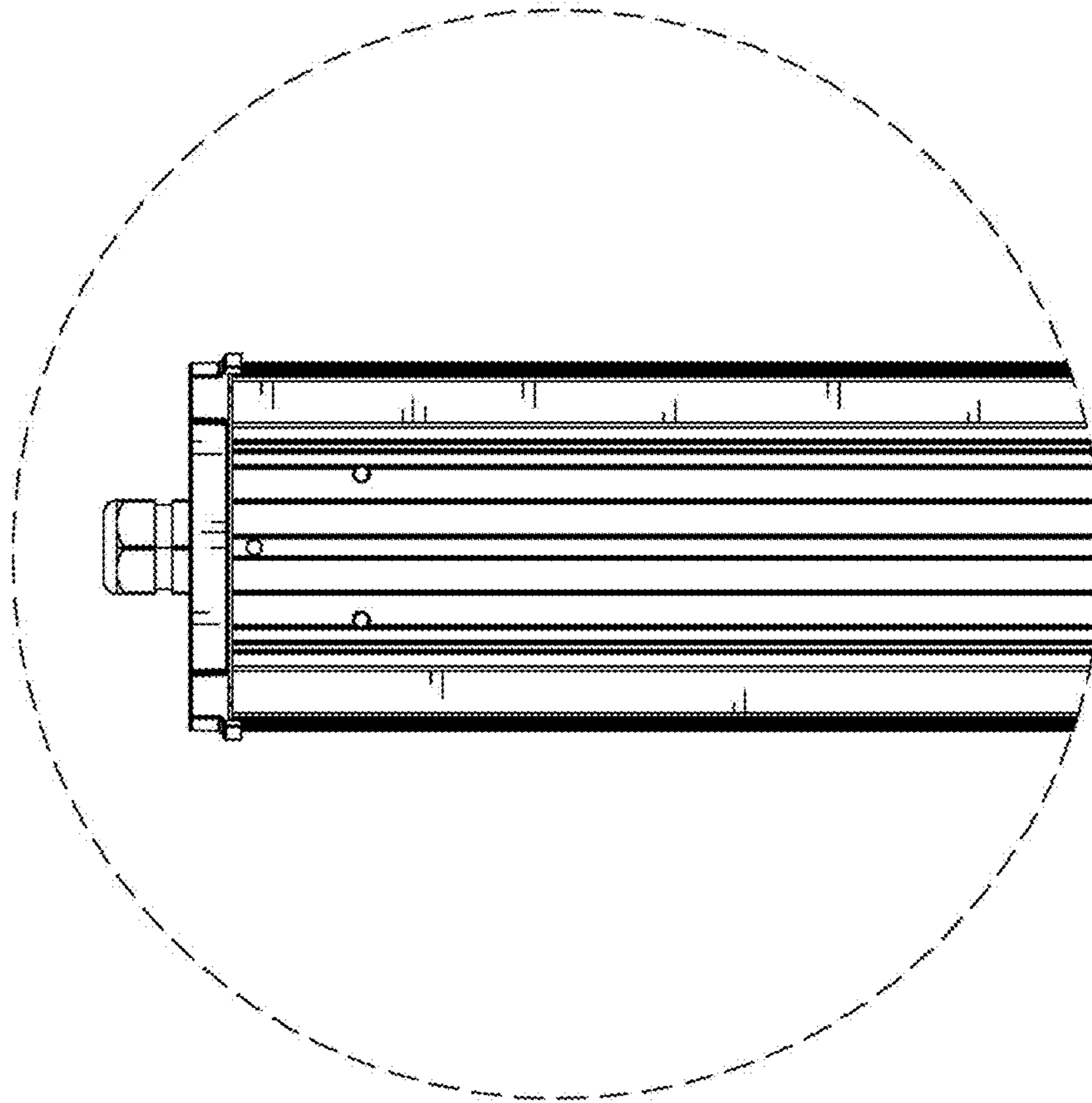


FIG. 12

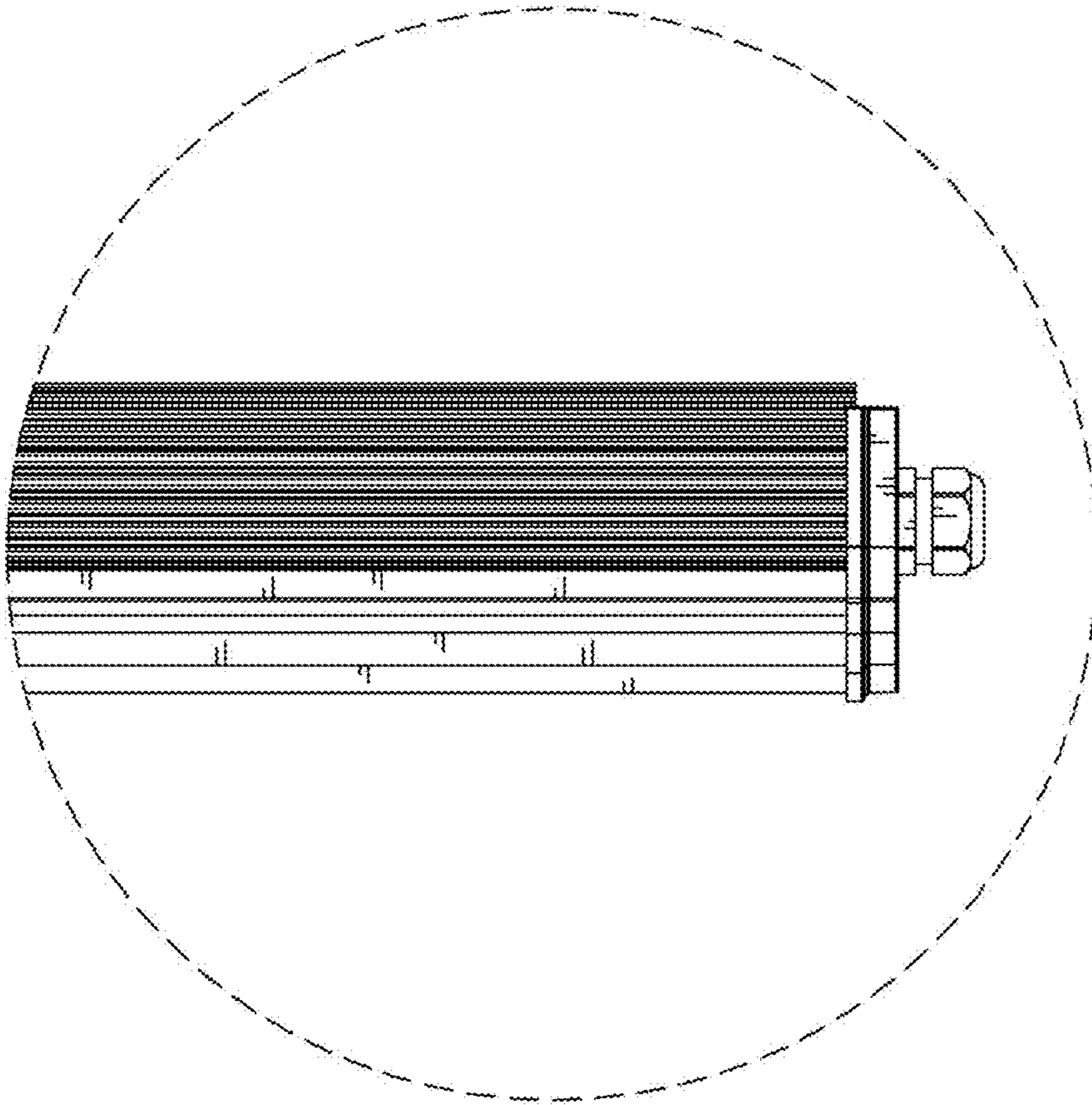


FIG. 13

