



US00D829948S

(12) **United States Design Patent** (10) **Patent No.:** **US D829,948 S**  
**Jung et al.** (45) **Date of Patent:** **\*\* Oct. 2, 2018**

(54) **REAR COMBINATION LAMP FOR CARS**

(71) Applicant: **HYUNDAI MOTOR COMPANY**,  
Seoul (KR)

(72) Inventors: **Woo-Joo Jung**, Anyang-si (KR);  
**Jun-Ho Kim**, Uiwang-si (KR)

(\*\*) Term: **15 Years**

(21) Appl. No.: **35/503,227**

(22) Filed: **Apr. 25, 2017**

(80) **Hague Agreement Data**

Int. Filing Date: **Apr. 25, 2017**

Int. Reg. No.: **DM/096403**

Int. Reg. Date: **Apr. 25, 2017**

Int. Reg. Pub. Date: **Jun. 23, 2017**

(30) **Foreign Application Priority Data**

Feb. 3, 2017 (KR) ..... 30-2017-0005180

(51) **LOC (11) Cl.** ..... **26-06**

(52) **U.S. Cl.**  
USPC ..... **D26/28**

(58) **Field of Classification Search**

USPC ... D26/3, 28, 76, 78, 79, 80, 81, 82, 83, 85,  
D26/86, 88, 90, 93, 111, 113, 118, 119,  
D26/120, 121, 122, 138, 139, 140, 141,  
D26/142, 152

CPC ..... F21S 2/00; F21S 4/00; F21S 4/003; F21S  
4/005; F21S 4/006; F21S 4/007; F21S  
4/008; F21S 6/00; F21S 8/00; F21S  
8/024; F21S 8/026; F21S 8/031; F21S  
8/033; F21S 8/035-8/037; F21S 8/04;  
F21S 8/043; F21S 8/063

See application file for complete search history.

(56) **References Cited**

U.S. PATENT DOCUMENTS

D565,211 S *	3/2008	Haller	.....	D26/28
D637,319 S *	5/2011	Jeong	.....	D26/28
D674,940 S *	1/2013	Lai	.....	D26/28
D708,769 S *	7/2014	Badstuebner	.....	D26/28
D709,213 S *	7/2014	Futschik	.....	D26/28
D710,044 S *	7/2014	Lai	.....	D26/28
D720,871 S *	1/2015	Lim	.....	D26/28
D756,003 S *	5/2016	Kong	.....	D26/28
D759,865 S *	6/2016	Shim	.....	D26/28
D761,455 S *	7/2016	Futschik	.....	D26/28
D763,487 S *	8/2016	Kwon	.....	D26/28
D765,286 S *	8/2016	Lai	.....	D26/28
D776,309 S *	1/2017	Ha	.....	D26/28
D777,957 S *	1/2017	Ha	.....	D26/28
D780,353 S *	2/2017	Ha	.....	D26/28

\* cited by examiner

*Primary Examiner* — George D Kirschbaum

*Assistant Examiner* — Natasha Vujcic

(57) **CLAIM**

The ornamental design for a rear combination lamp for cars,  
as shown and described.

**DESCRIPTION**

1. Rear combination lamp for cars

1.1 : Perspective

1.2 : Front

1.3 : Back

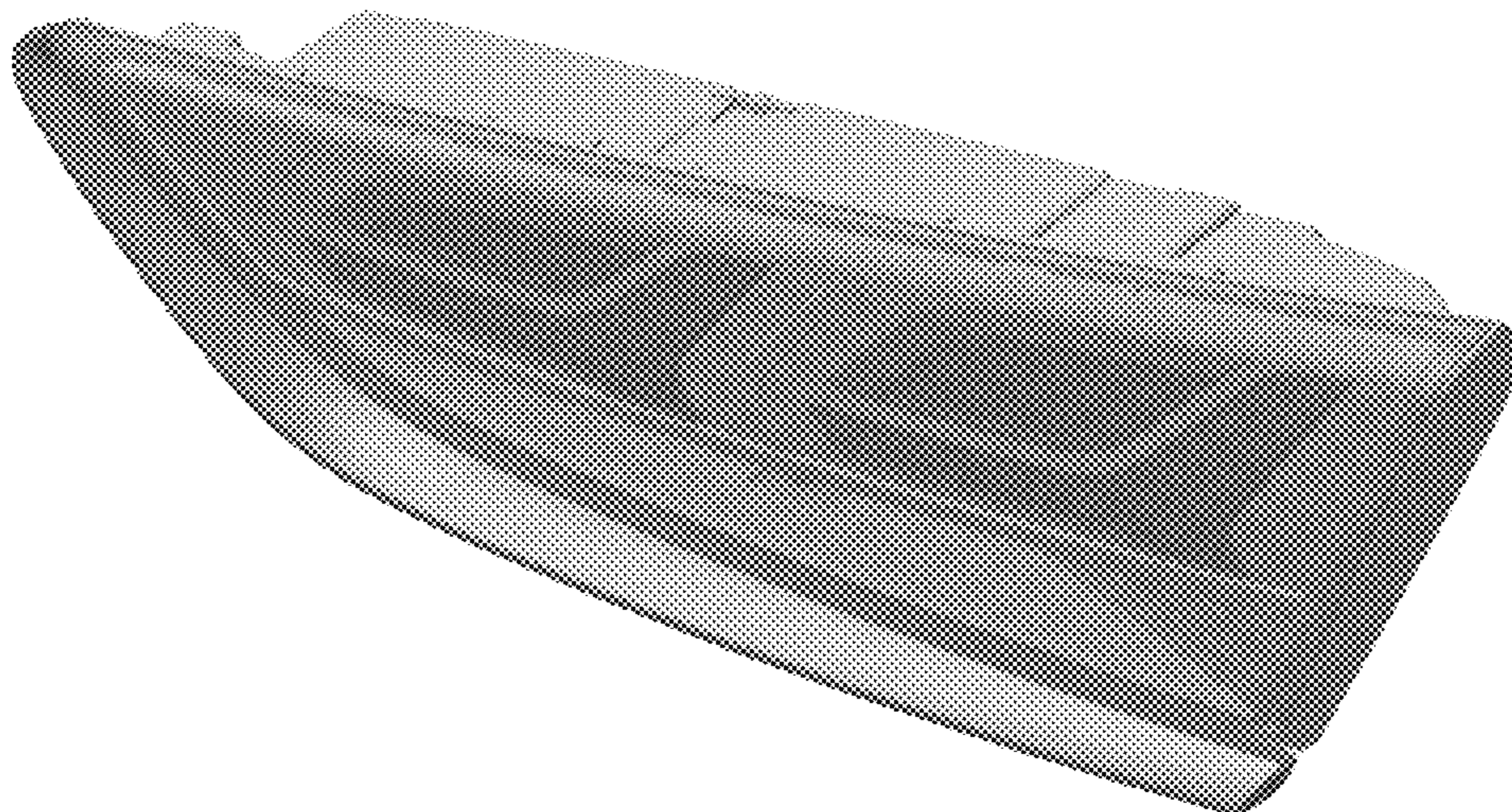
1.4 : Left

1.5 : Right

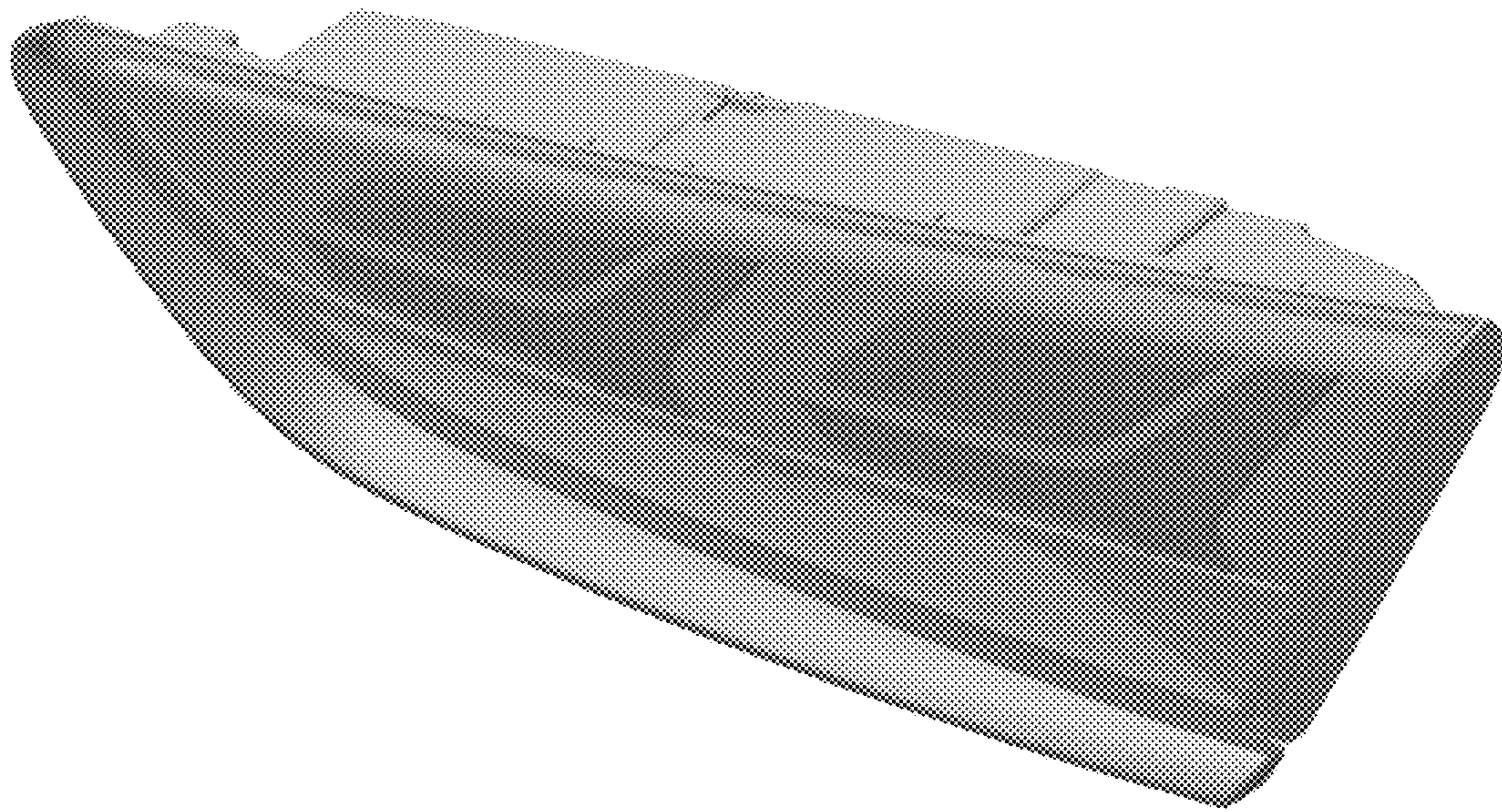
1.6 : Top

1.7 : Bottom

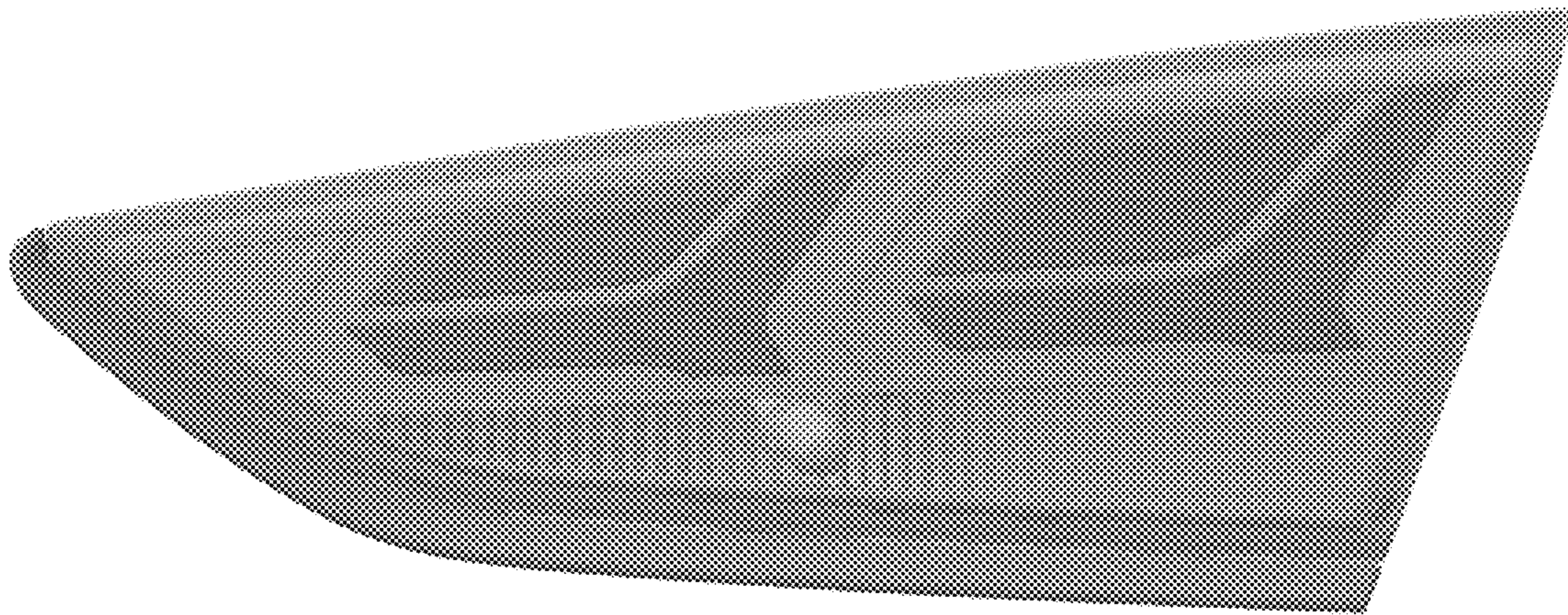
**1 Claim, 7 Drawing Sheets**



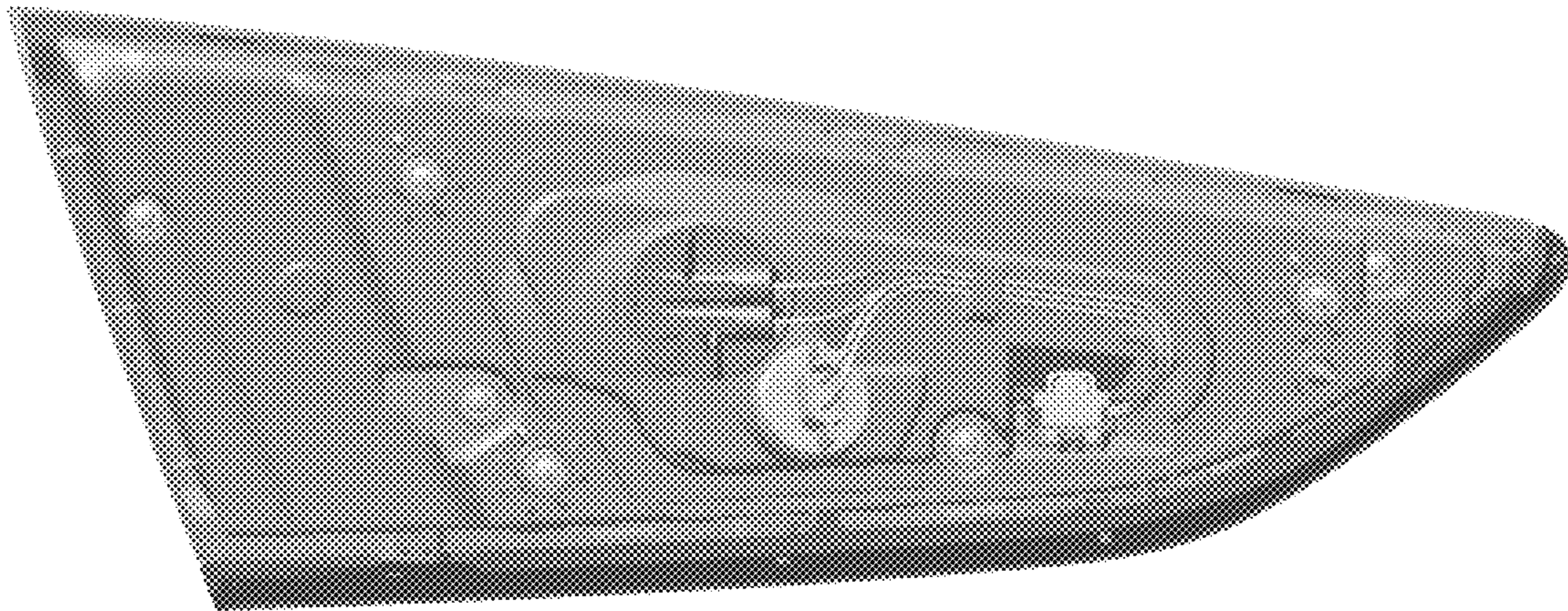
1.1



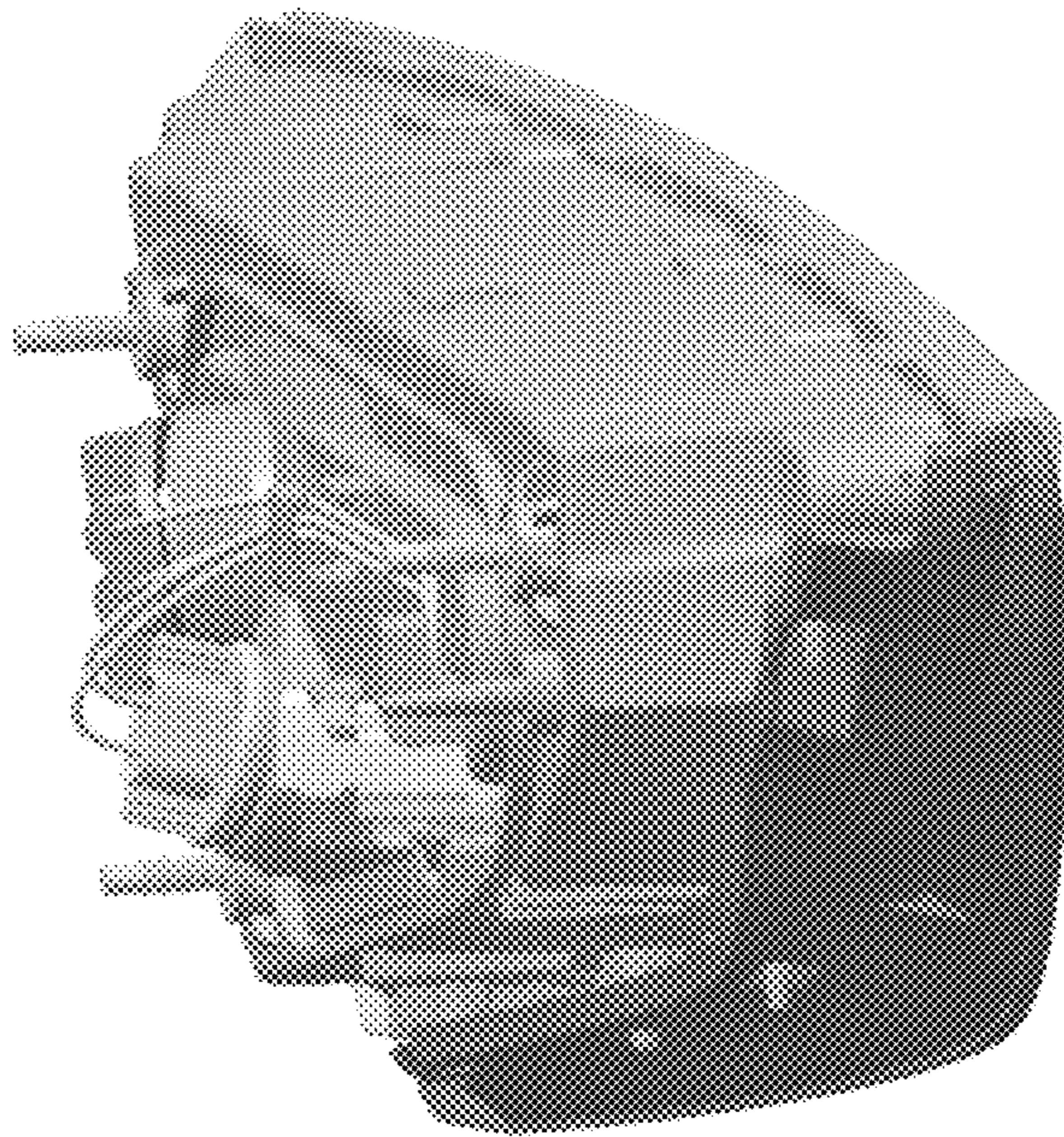
1.2



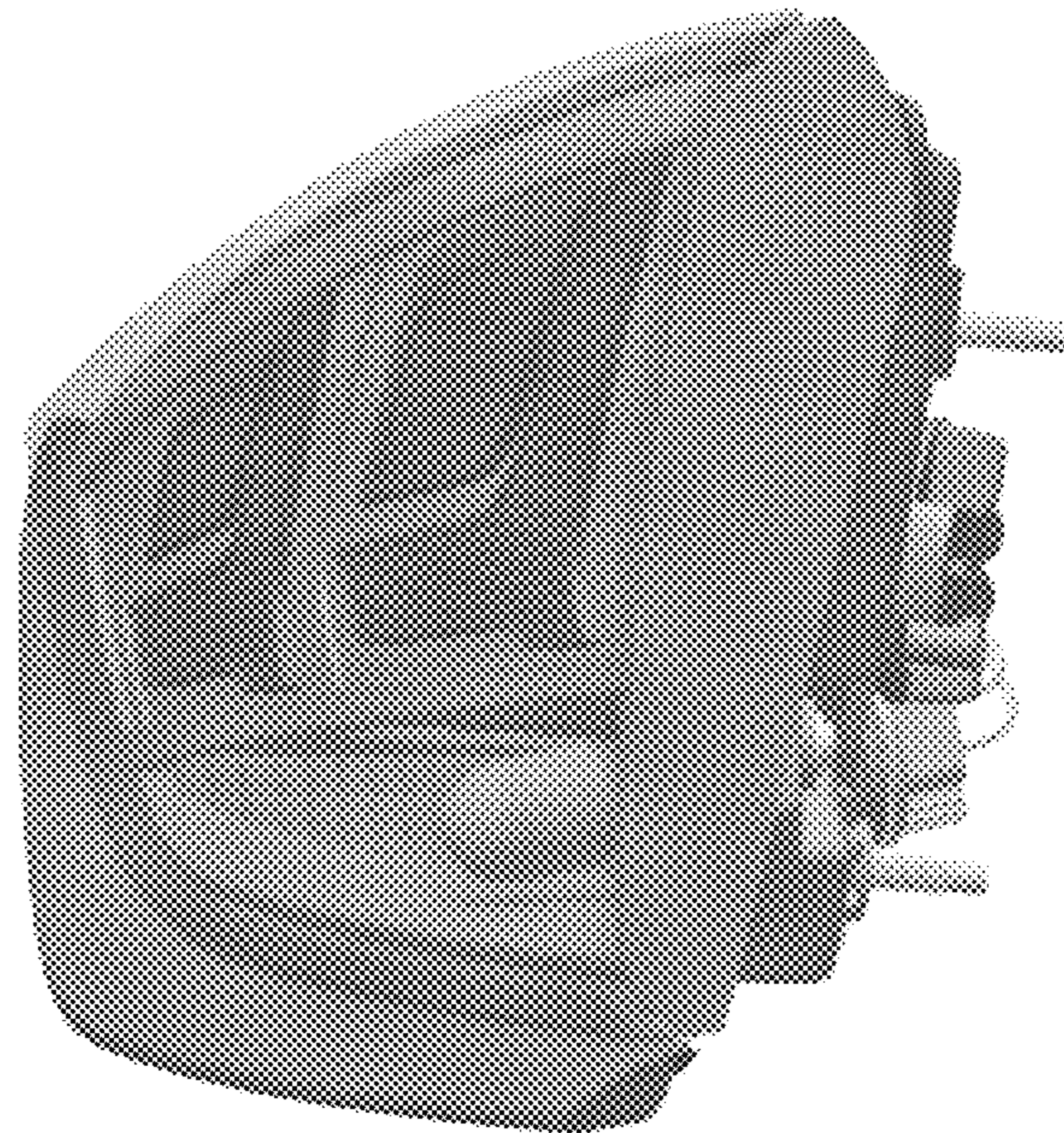
1.3



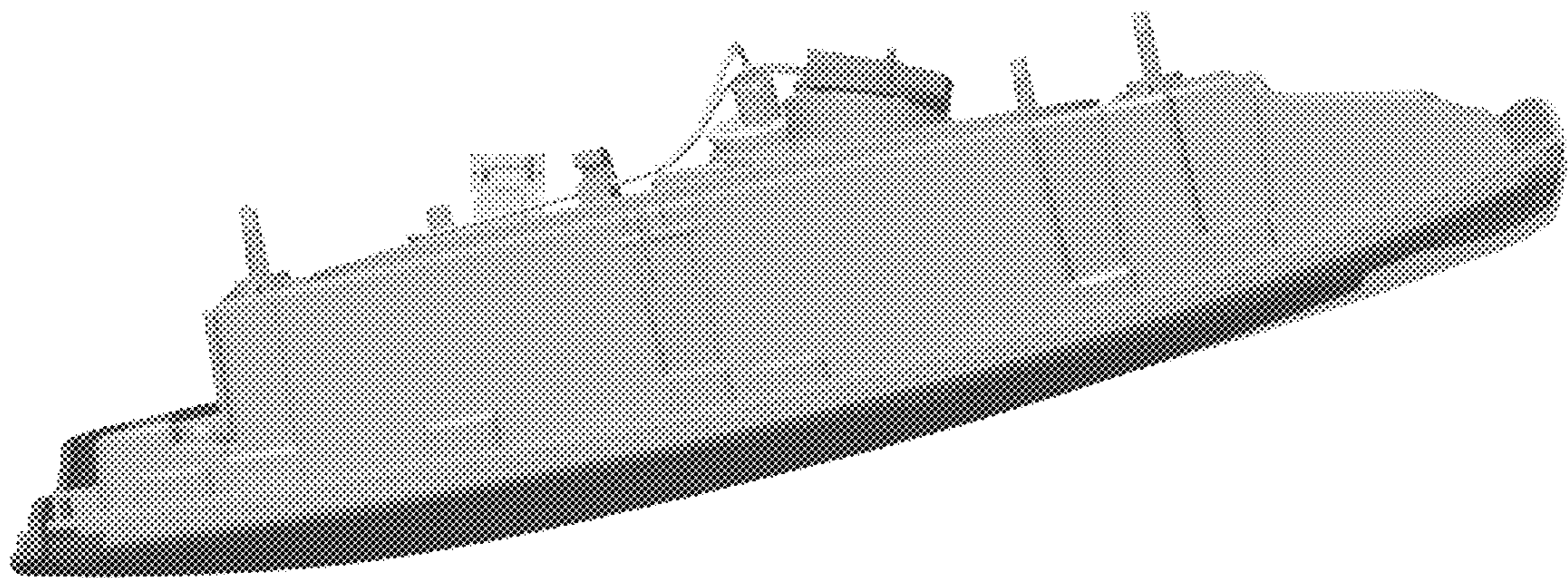
1.4



1.5



1.6



1.7

