



US00D829946S

(12) **United States Design Patent**  
**Collins et al.**

(10) **Patent No.:** **US D829,946 S**  
(45) **Date of Patent:** **\*\* Oct. 2, 2018**

(54) **MOTORCYCLE REAR LIGHT BAR**

(71) Applicant: **Harley-Davidson Motor Company Group, LLC, Milwaukee, WI (US)**

(72) Inventors: **Stephen R. Collins, Oconomowoc, WI (US); Mark Daniels, Mequon, WI (US)**

(73) Assignee: **Harley-Davidson Motor Company Group, LLC, Milwaukee, WI (US)**

(\*\*) Term: **15 Years**

(21) Appl. No.: **29/614,624**

(22) Filed: **Aug. 21, 2017**

(51) **LOC (11) Cl.** ..... **26-06**

(52) **U.S. Cl.**  
USPC ..... **D26/28**

(58) **Field of Classification Search**  
USPC ..... D26/28-36  
CPC ..... F21S 48/00; F21S 48/10; F21S 48/1266;  
F21S 48/1388; F21S 48/2268; F21V  
21/04  
See application file for complete search history.

(56) **References Cited**

**U.S. PATENT DOCUMENTS**

D713,574 S \* 9/2014 Adams ..... D26/31  
D740,473 S \* 10/2015 Chen ..... D26/35  
D747,016 S \* 1/2016 George ..... D26/28

D759,278 S \* 6/2016 Kim ..... D26/31  
D775,751 S \* 1/2017 Jones, Jr. .... D26/28  
D776,314 S \* 1/2017 Aho ..... D10/114.4  
D809,168 S \* 1/2018 Kennemer ..... D26/28  
D815,765 S \* 4/2018 Jacobsthal ..... D26/28  
2011/0176297 A1\* 7/2011 Hsia ..... F21V 25/04  
362/217  
2014/0078762 A1\* 3/2014 Adams ..... F21V 21/30  
362/496

\* cited by examiner

*Primary Examiner* — Mark A Goodwin

*Assistant Examiner* — Benjamin M Weeks

(74) *Attorney, Agent, or Firm* — Michael Best & Friedrich LLP

(57) **CLAIM**

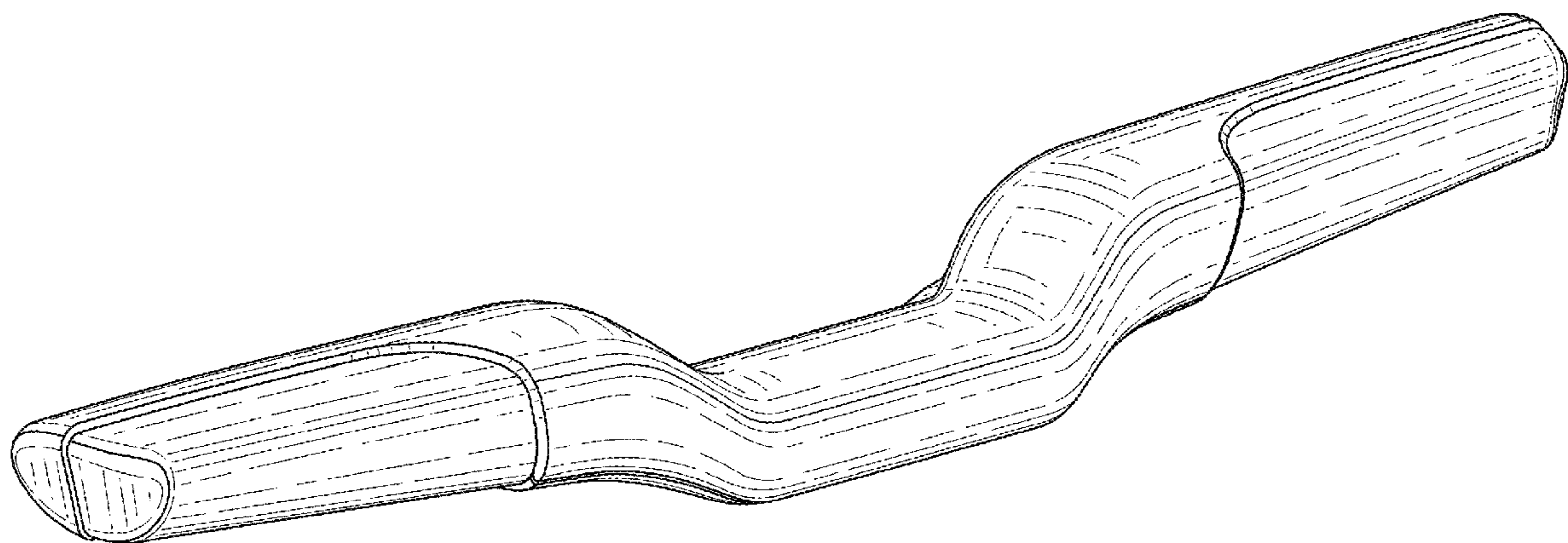
I claim the ornamental design for a motorcycle rear light bar, as shown and described.

**DESCRIPTION**

FIG. 1 is a perspective view of a motorcycle rear light bar; FIG. 2 is a front view thereof; FIG. 3 is a rear view thereof; FIG. 4 is a right side view thereof; FIG. 5 is a left side view thereof; FIG. 6 is a top view thereof; and, FIG. 7 is a bottom view thereof.

The broken lines in the figures depict portions of motorcycle rear light bar that are not part of the claimed design.

**1 Claim, 6 Drawing Sheets**



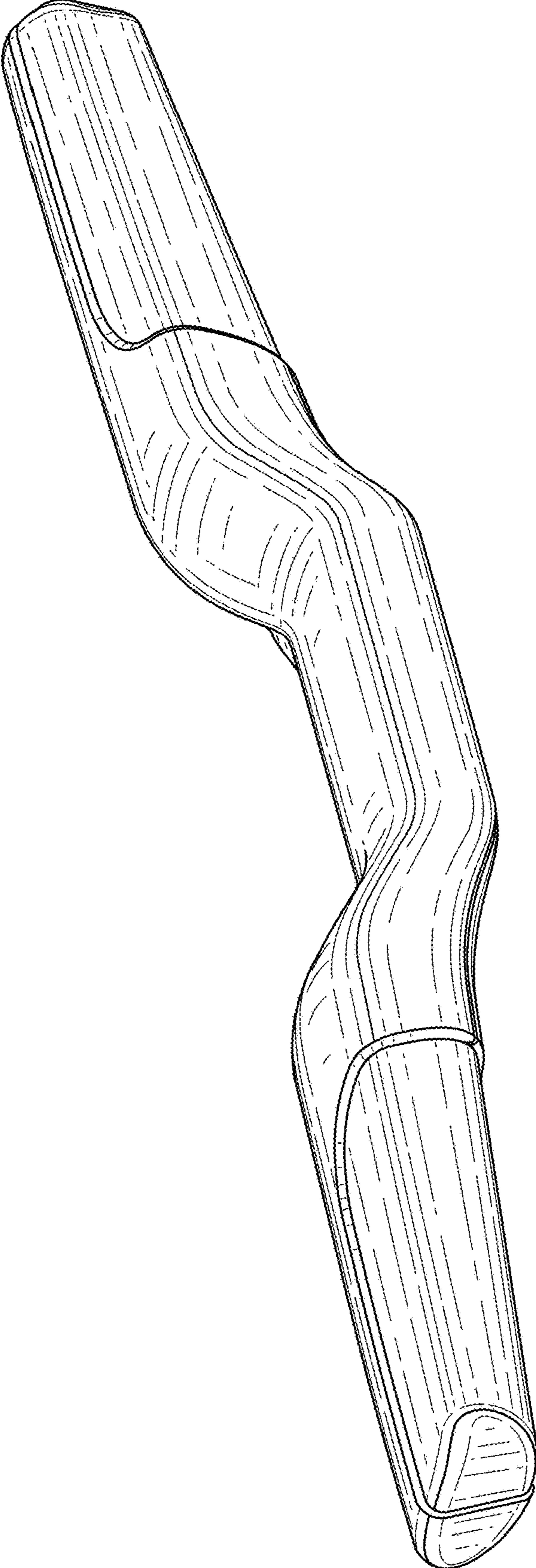
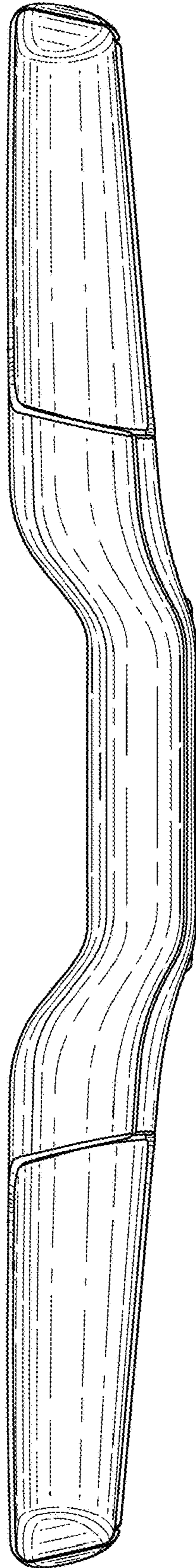
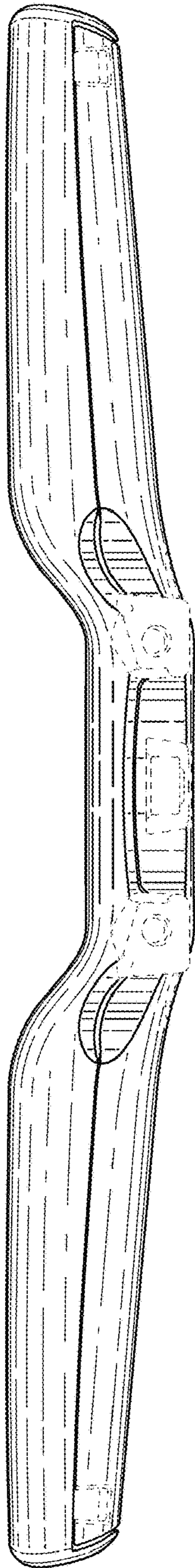


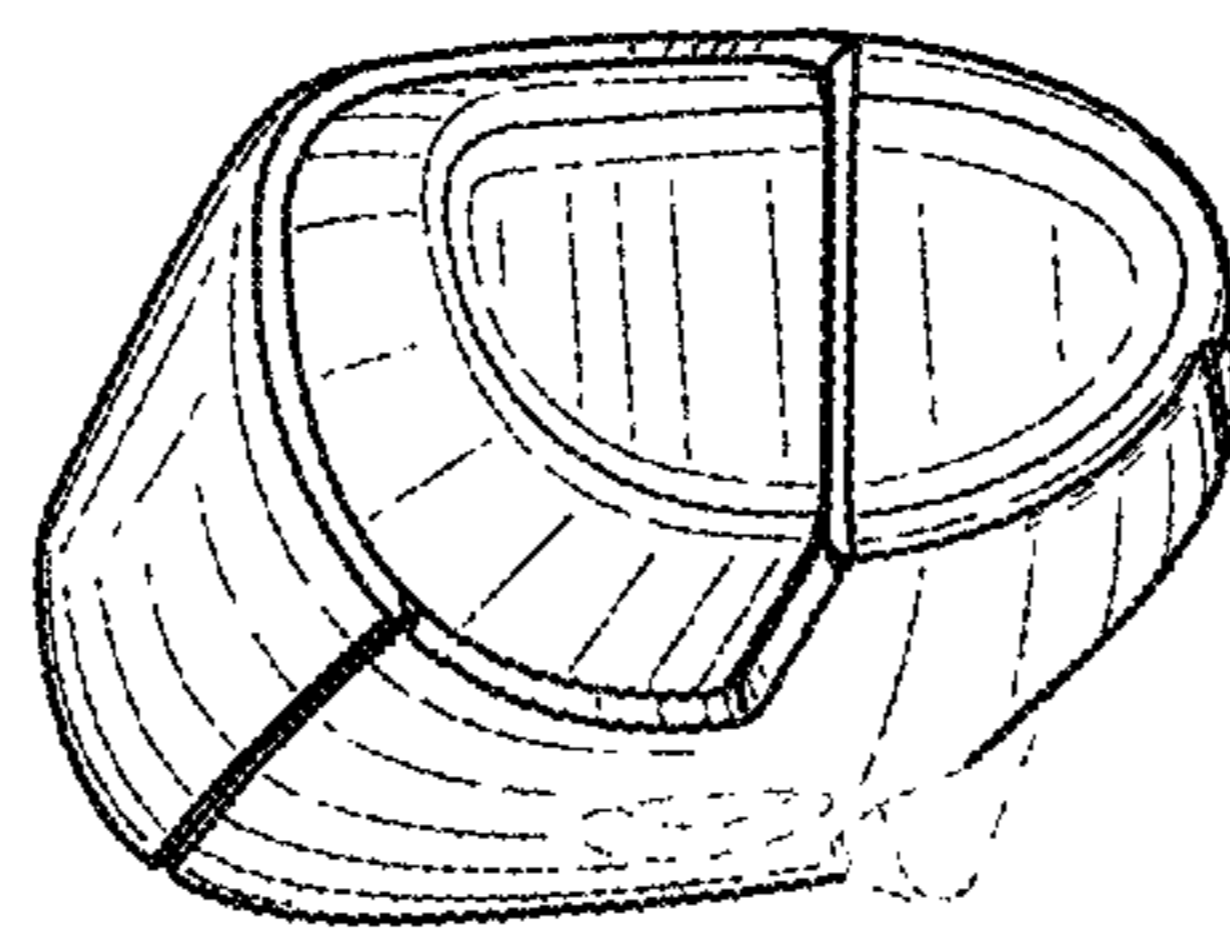
FIG. 1



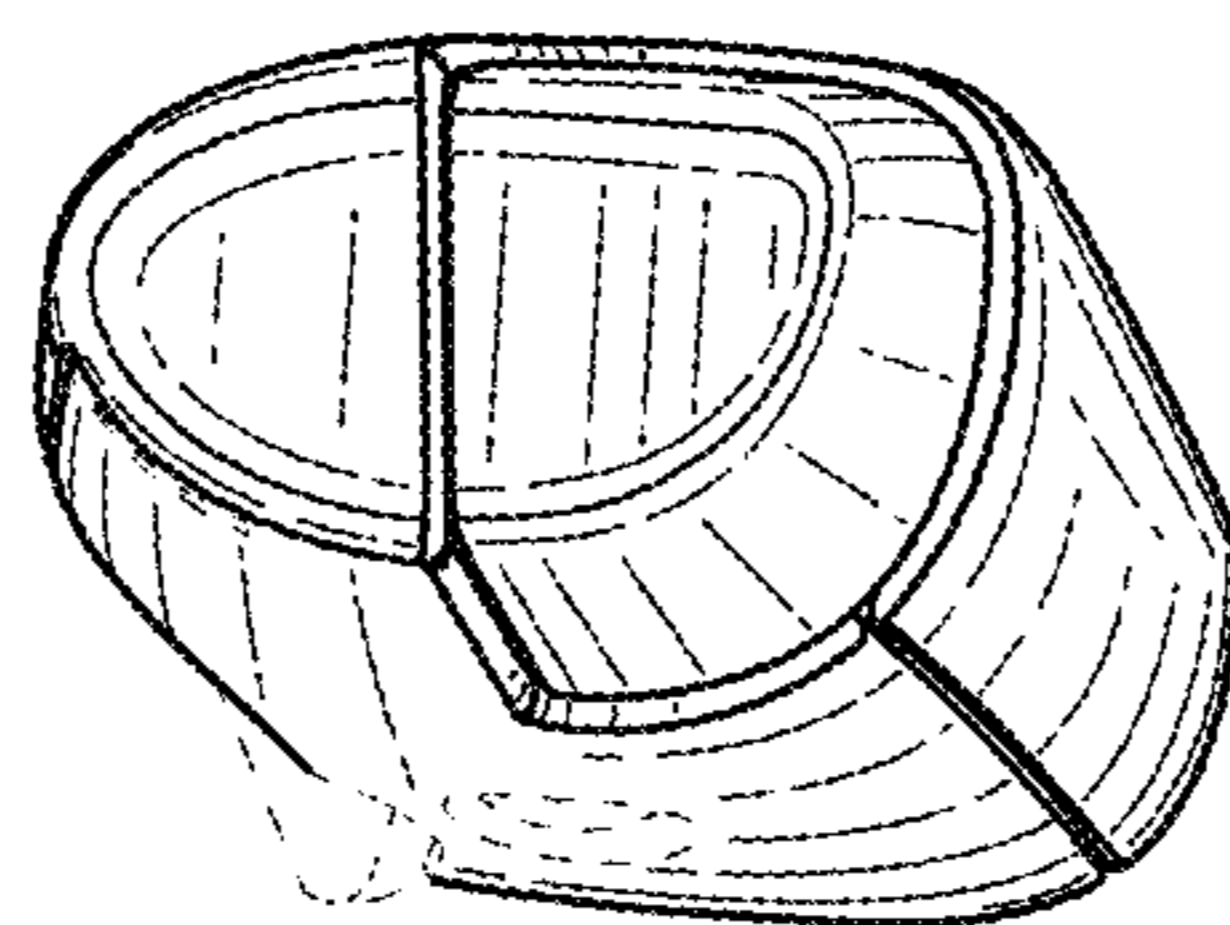
**FIG. 2**



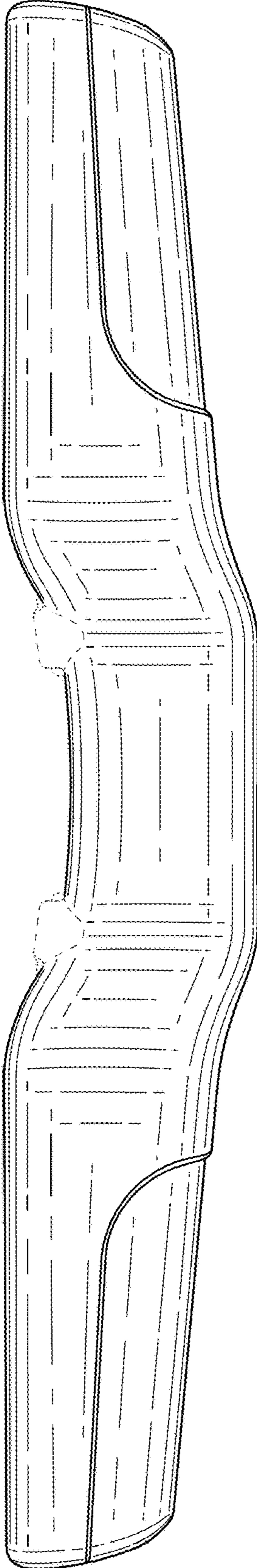
**FIG. 3**



**FIG. 4**



**FIG. 5**



**FIG. 6**

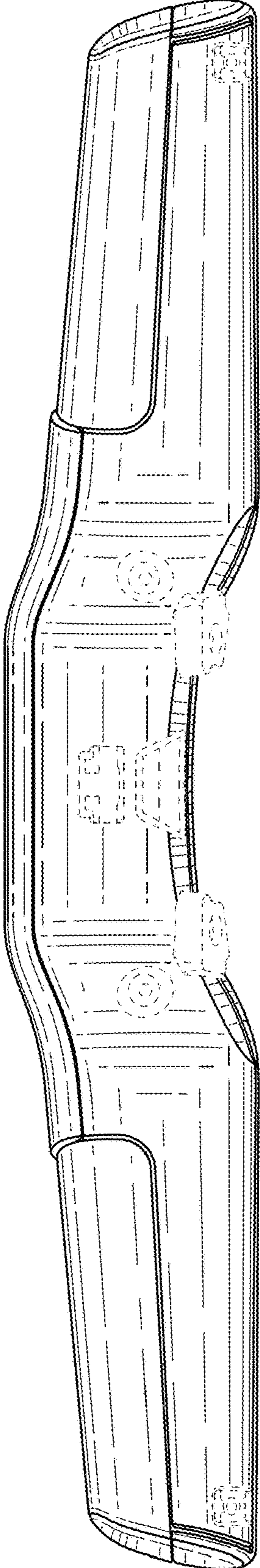


FIG. 7