



US00D829942S

(12) **United States Design Patent** (10) **Patent No.:** **US D829,942 S**
Gao et al. (45) **Date of Patent:** **** Oct. 2, 2018**

(54) **FILAMENT BULB**

2016/0369949 A1* 12/2016 Wu H05B 35/00
2017/0356602 A1* 12/2017 Lin F21K 9/238
2018/0045380 A1* 2/2018 Li F21K 9/237

(71) Applicant: **XIAMEN ECO LIGHTING CO., LTD.**, Xiamen, Fujian Province (CN)

(Continued)

(72) Inventors: **Yanzeng Gao**, Xiamen (CN); **Hongkui Jiang**, Xiamen (CN); **Feng Wu**, Xiamen (CN)

Primary Examiner — Brandon M Rosati

Assistant Examiner — John A Voytek

(74) *Attorney, Agent, or Firm* — PROI Intellectual Property US

(73) Assignee: **XIAMEN ECO LIGHTING CO., LTD.** (CN)

(57) **CLAIM**

The ornamental design for a filament bulb, as shown and described.

(**) Term: **15 Years**

DESCRIPTION

(21) Appl. No.: **29/612,200**

(22) Filed: **Jul. 30, 2017**

(51) **LOC (11) Cl.** **26-04**

(52) **U.S. Cl.**
USPC **D26/2**

(58) **Field of Classification Search**
USPC D26/1–6, 22, 72, 74, 78, 88, 89, 93, 106,
D26/113–116, 118, 120, 121, 138;
D13/169, 174; D22/117; D8/305–312
CPC A01G 13/06; C11C 5/006; F21L 17/00;
F21L 4/005; F23D 3/16; F23D 3/18;
F21V 33/0064; F41B 15/022; F41B
15/025; H05B 35/00; F21K 9/232; F21K
9/237; F21K 9/238

See application file for complete search history.

FIG. 1 is a perspective upper front View of a filament bulb;
FIG. 2 is a front View thereof;
FIG. 3 is a rear View thereof;
FIG. 4 is a left side View thereof;
FIG. 5 is a right side View thereof;
FIG. 6 is a top plan View thereof;
FIG. 7 is a bottom plan View thereof; and,
FIG. 8 is a perspective lower front View thereof.

In the drawings, the broken lines depict environmental subject matter only and form no part of the claimed design. Disclaimer: The glass plunger surrounding the filament, the lamp holder beneath the filament as well as the screw base are shown in broken lines because they are not part of the claimed design, but are considered necessary to show the environment in which the design is associated.

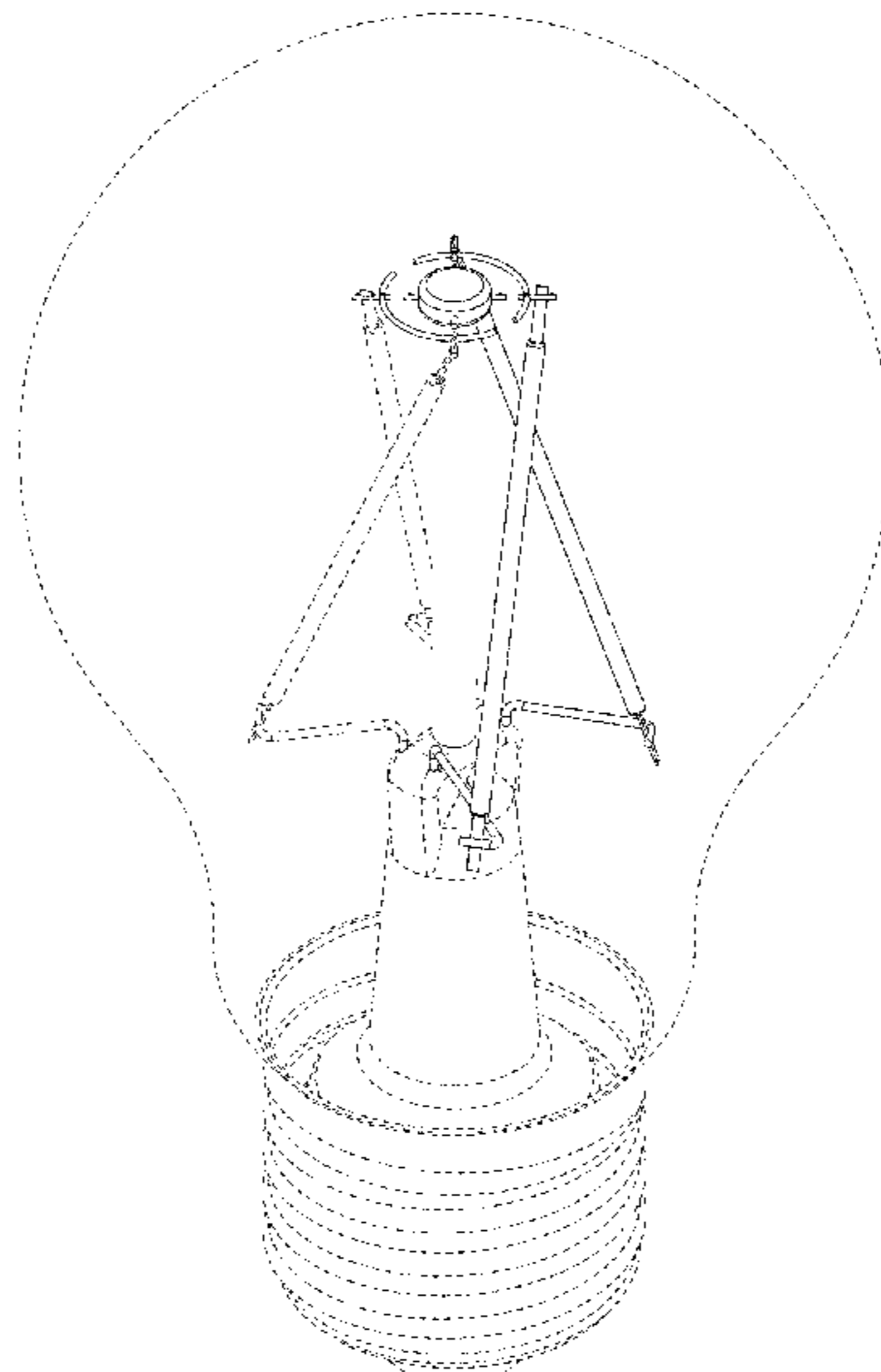
Secondly, in the center of the filament bulb several groups of vertically oriented LED wires are shown wherein each group contains of two LED wires. Only one group of two LED wires is shown in solid lines. The purpose of showing only one group of two LED wires in solid lines is that the second and any further group of two LED wires are identical to said group of two LED wires that is shown in solid lines. Therefore, any repetition of said group of two LED wires—that is shown in solid lines—is shown in broken lines.

(56) **References Cited**

U.S. PATENT DOCUMENTS

D689,215 S * 9/2013 Xue D26/2
D748,297 S * 1/2016 Ma D13/133
D759,854 S * 6/2016 Wang D26/2
D787,714 S * 5/2017 Wang D26/2
D793,585 S * 8/2017 Zhang D26/2
D801,556 S * 10/2017 Yao D26/2
D804,689 S * 12/2017 Zhou D26/2

1 Claim, 8 Drawing Sheets



(56)

References Cited

U.S. PATENT DOCUMENTS

2018/0080611 A1* 3/2018 Haberkorn F21K 9/232
2018/0080612 A1* 3/2018 Haberkorn F21K 9/232
2018/0106435 A1* 4/2018 Wu F21K 9/237

* cited by examiner

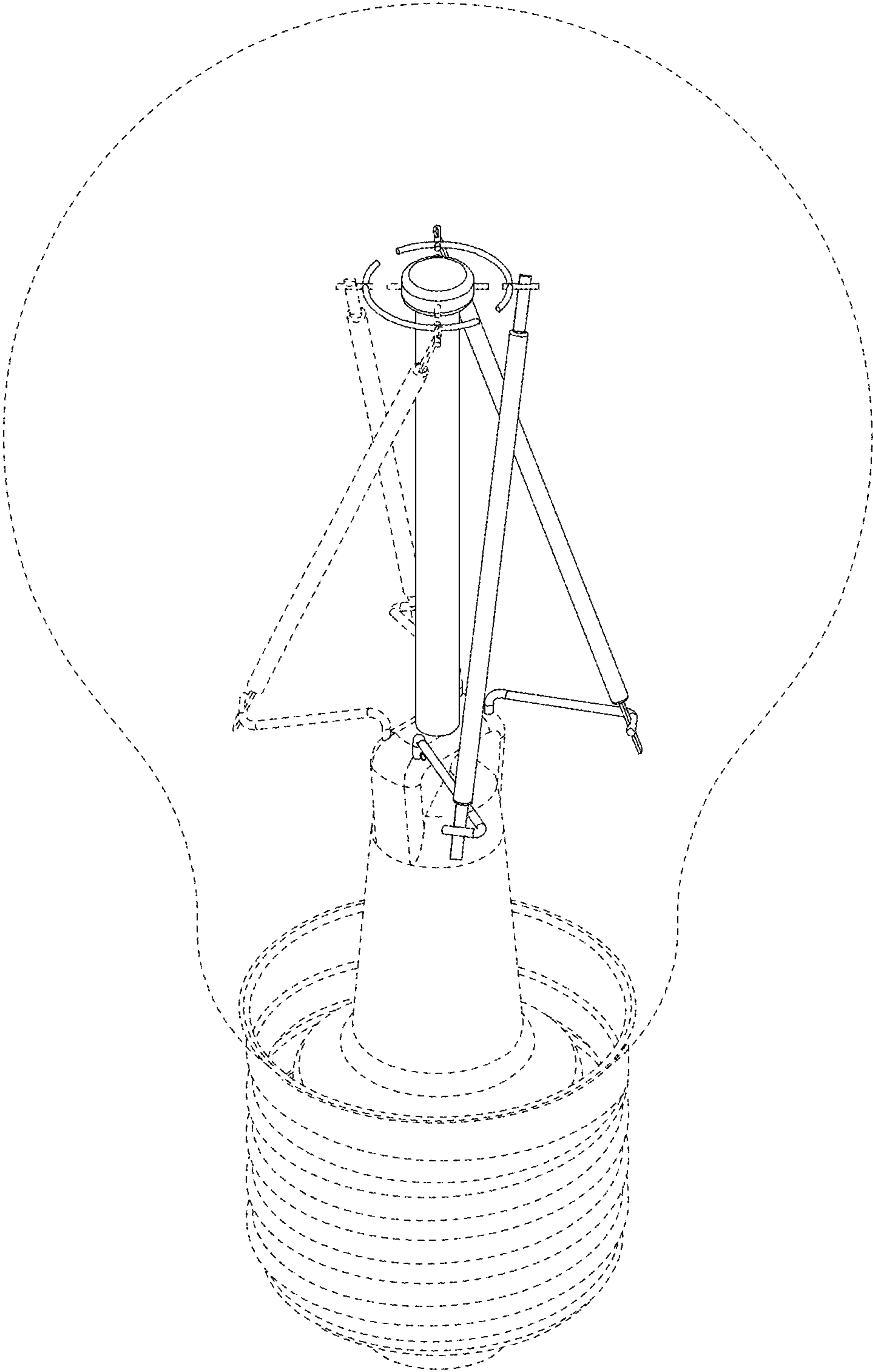


FIG. 1

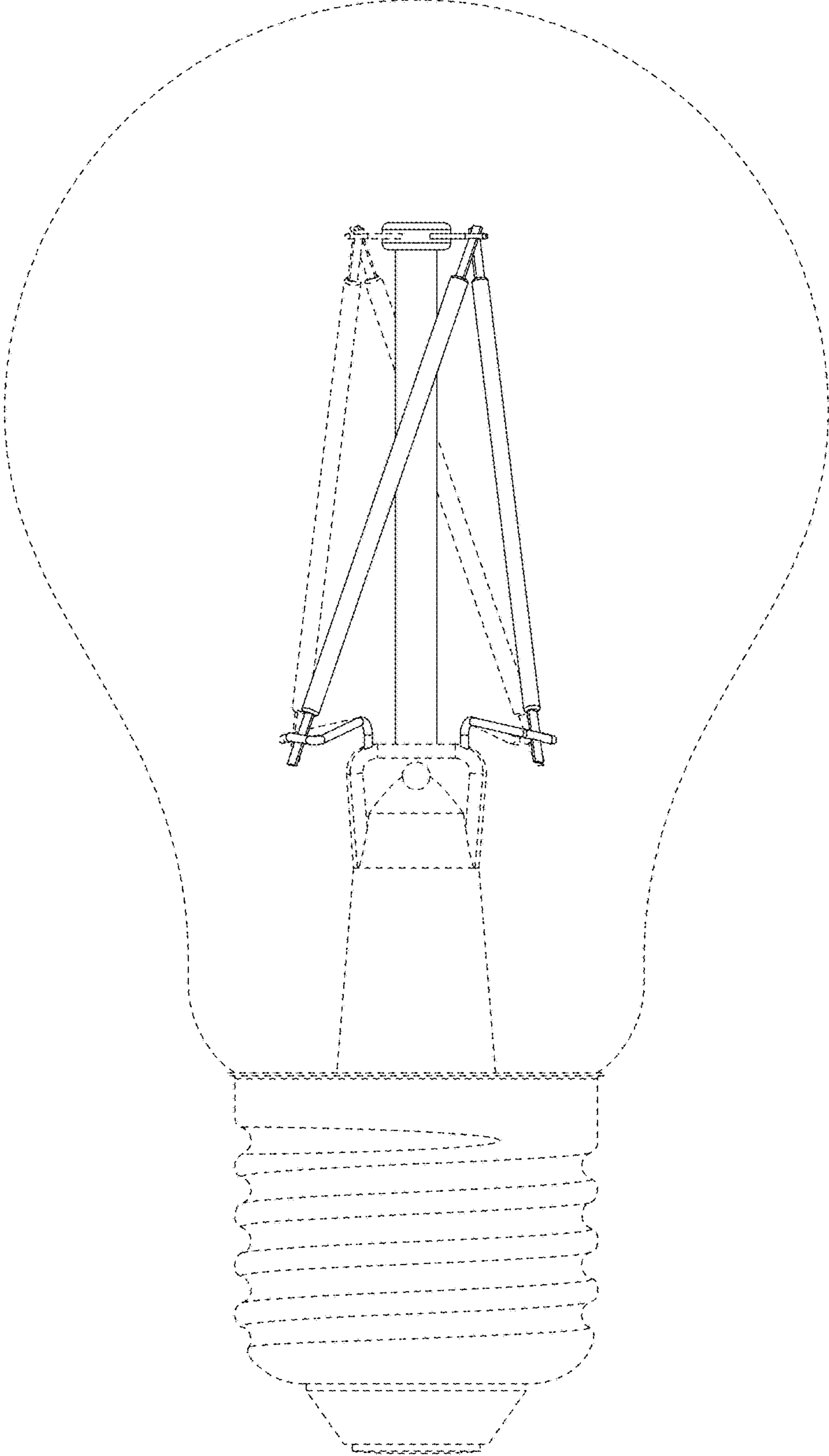


FIG. 2

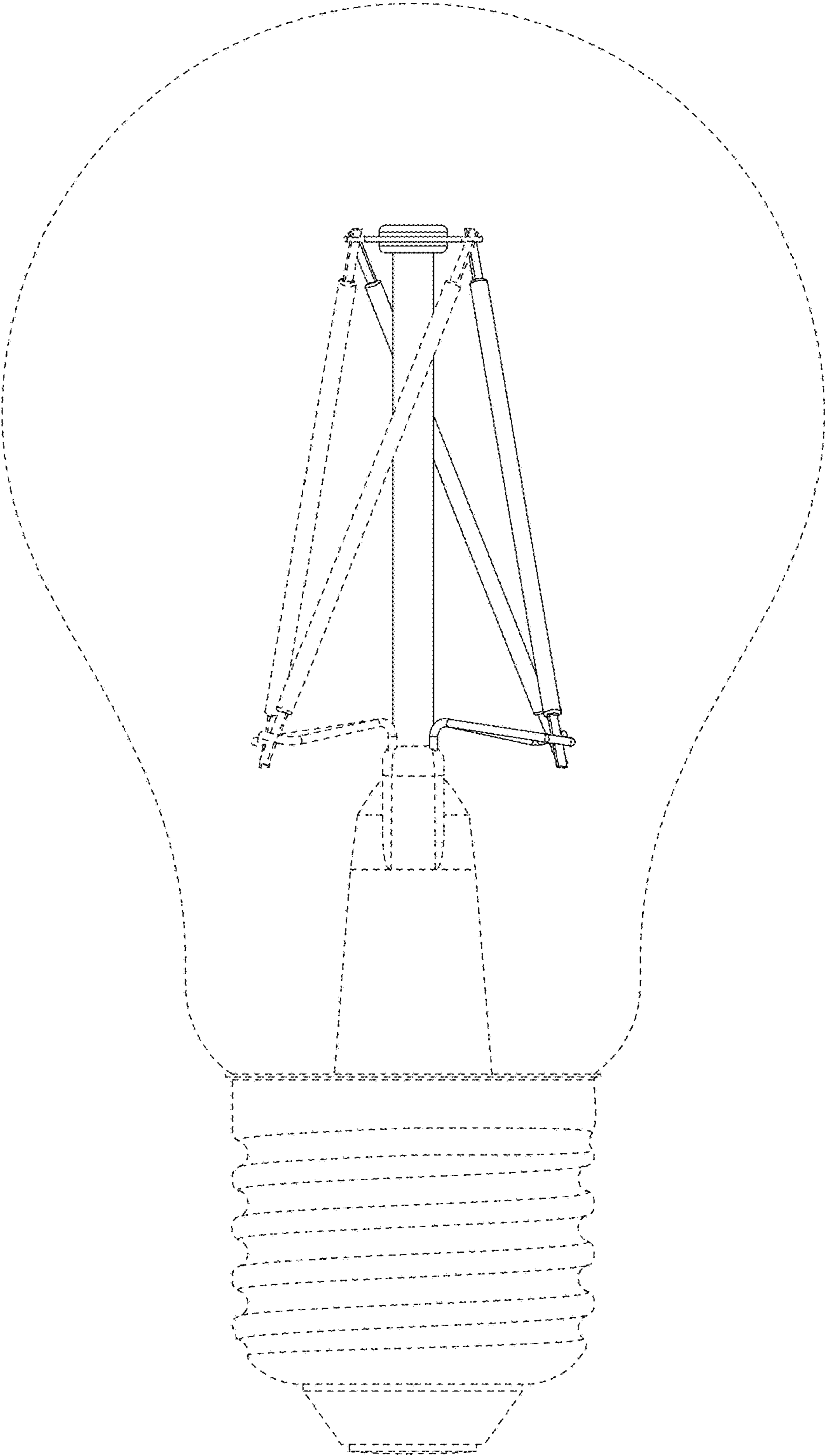


FIG. 3

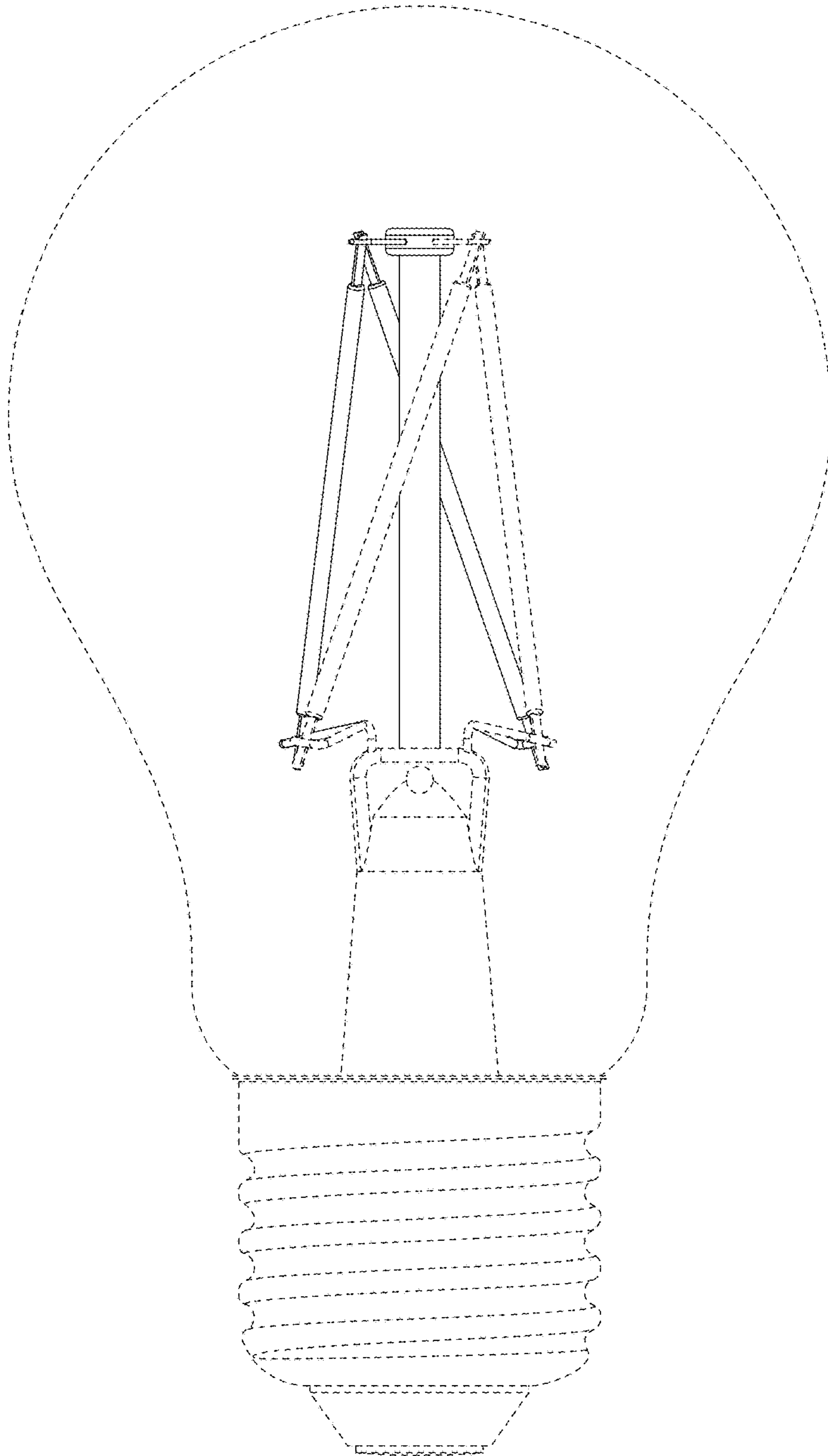


FIG. 4

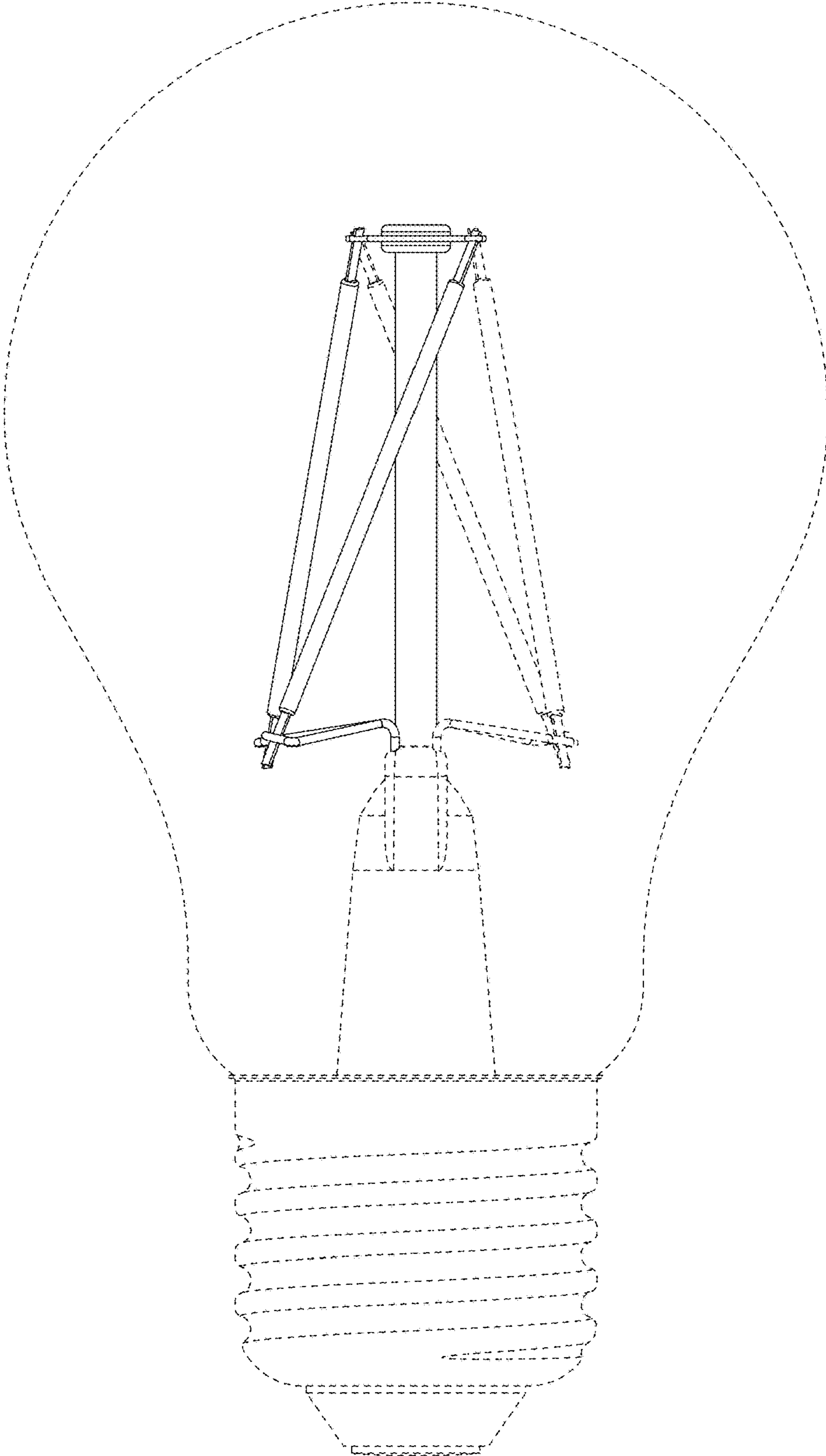


FIG. 5

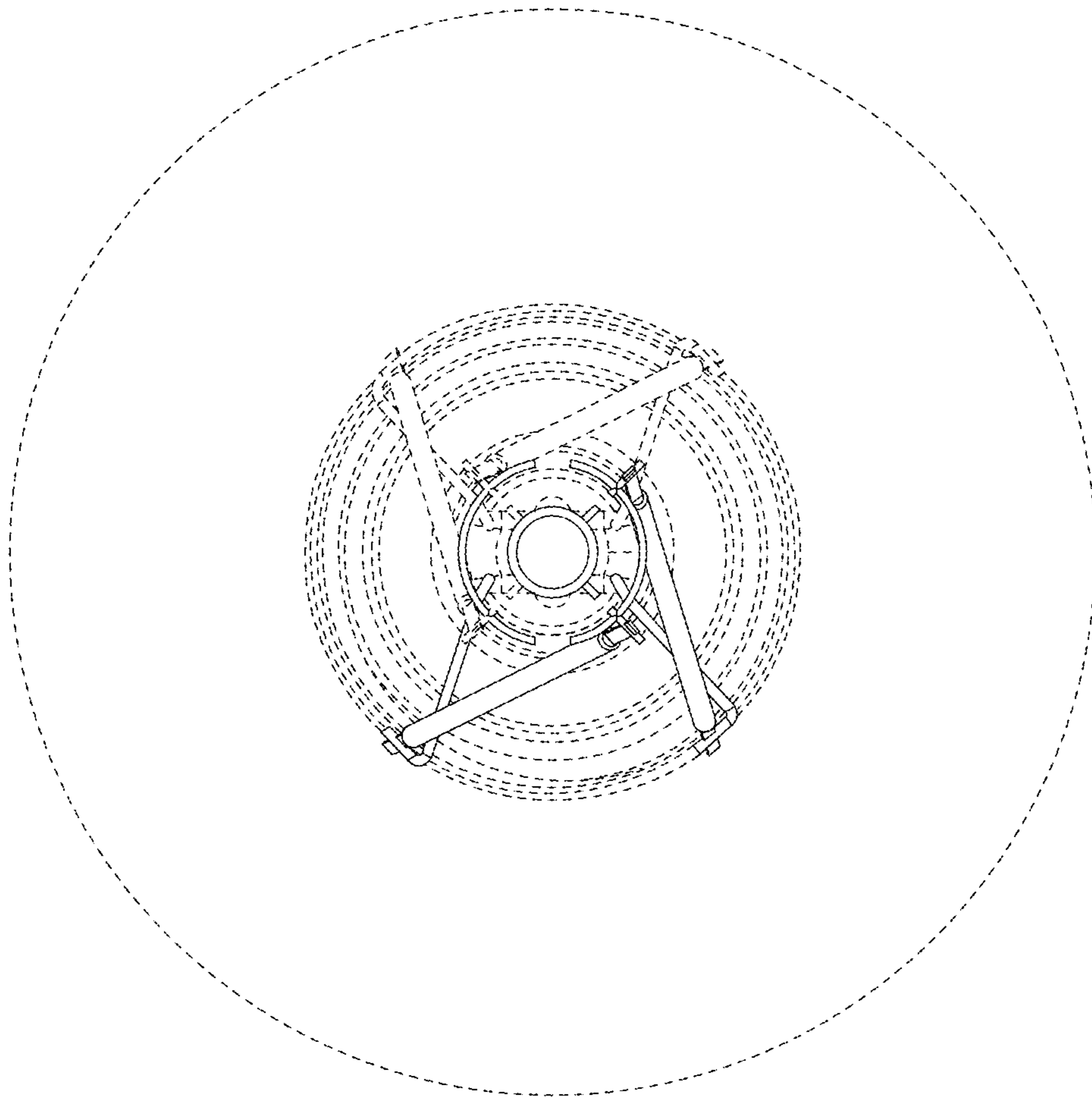


FIG. 6

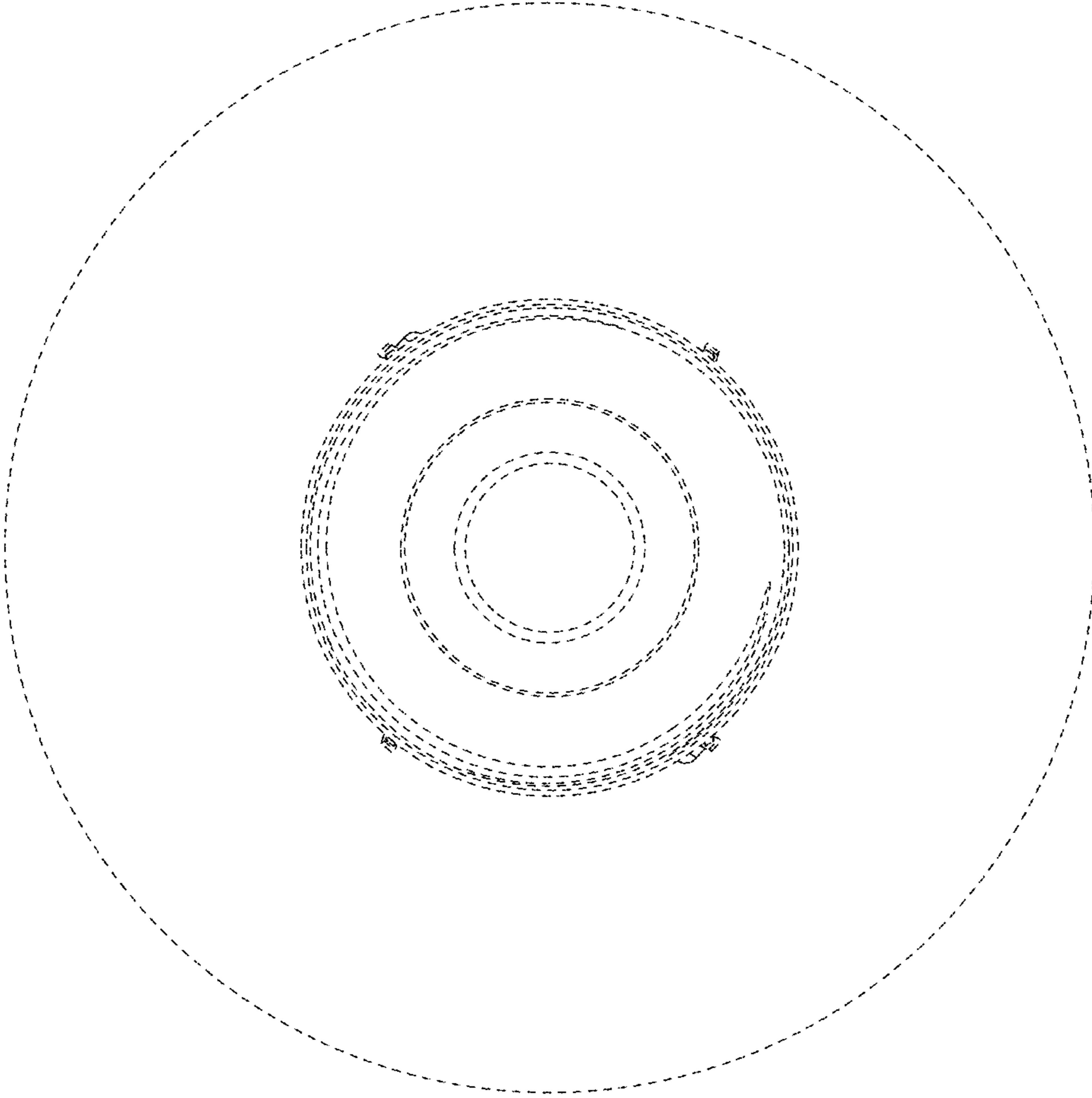


FIG. 7

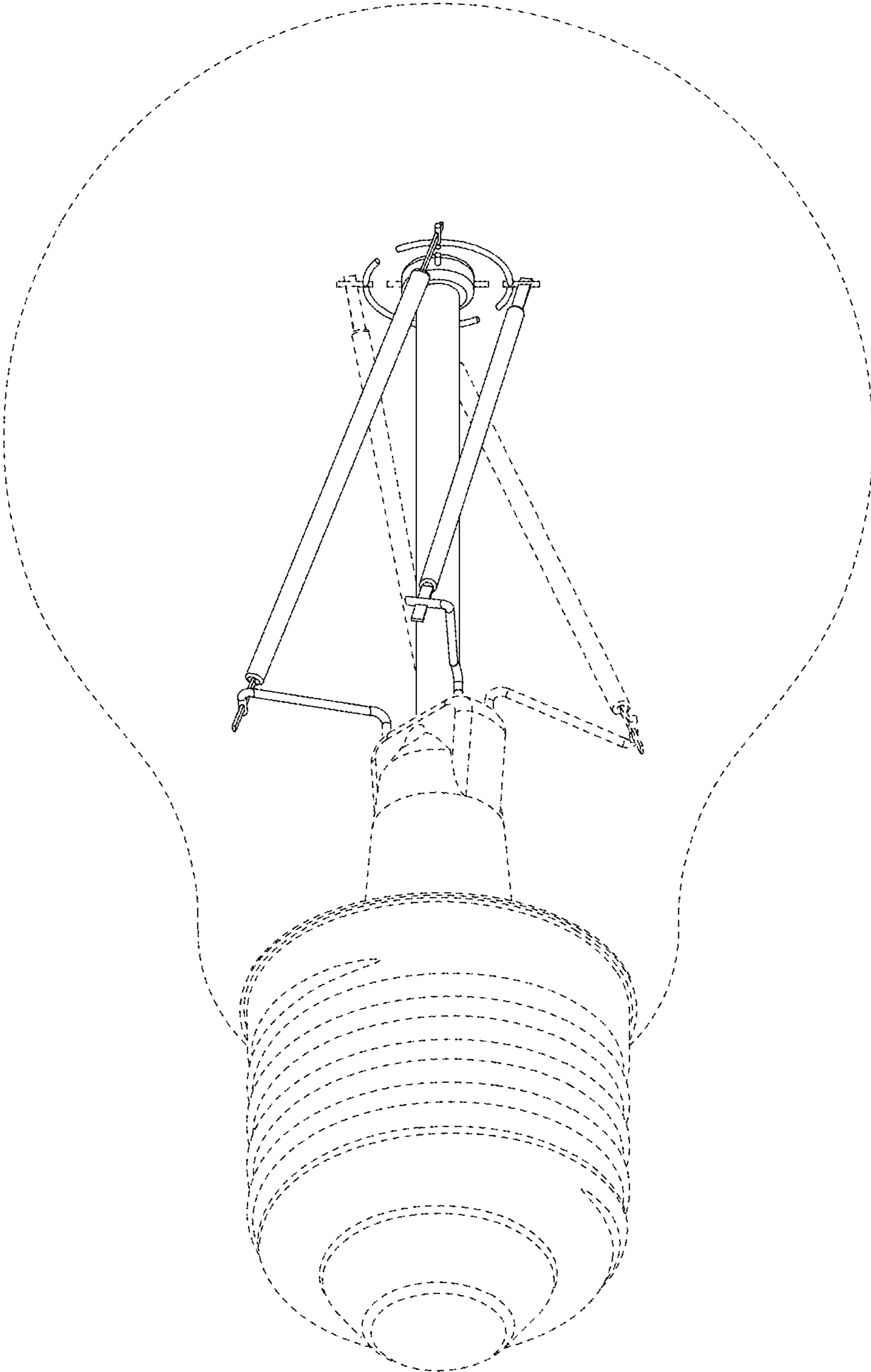


FIG. 8