



US00D829941S

(12) **United States Design Patent** (10) **Patent No.:** **US D829,941 S**
Wang et al. (45) **Date of Patent:** **** Oct. 2, 2018**

(54) **FILAMENT BULB**

Primary Examiner — Brandon M Rosati

Assistant Examiner — John A Voytek

(71) Applicant: **XIAMEN ECO LIGHTING CO., LTD.**, Xiamen, Fujian Province (CN)

(74) *Attorney, Agent, or Firm* — PROI Intellectual Property US

(72) Inventors: **Qiyuan Wang**, Xiamen (CN); **Minghao Wu**, Xiamen (CN); **Xiaobo Chen**, Xiamen (CN); **Liangliang Cao**, Xiamen (CN); **Yunnan Lin**, Xiamen (CN); **Fuwen Li**, Xiamen (CN)

(57) **CLAIM**

The ornamental design for a filament bulb, as shown and described.

(73) Assignee: **XIAMEN ECO LIGHTING CO., LTD.** (CN)

DESCRIPTION

(**) Term: **15 Years**

FIG. 1 is a perspective front View of a filament bulb;

FIG. 2 is a front View thereof;

FIG. 3 is a left side View thereof;

FIG. 4 is a rear View thereof;

FIG. 5 is a right side View thereof;

FIG. 6 is a top plan View thereof; and,

FIG. 7 is a bottom plan View thereof.

(21) Appl. No.: **29/609,688**

(22) Filed: **Jul. 4, 2017**

(51) **LOC (11) Cl.** **26-04**

(52) **U.S. Cl.**
USPC **D26/2**

(58) **Field of Classification Search**

USPC D26/1–6, 22, 72, 74, 78, 88, 89, 93, 106,
D26/113–116, 118, 120, 121, 138;
D13/169, 174; D22/117; D8/305–312

CPC A01G 13/06; C11C 5/006; F21L 17/00;
F21L 4/005; F23D 3/16; F23D 3/18;
F21V 33/0064; F41B 15/022; F41B
15/025; H05B 35/00; F21K 9/232; F21K
9/237; F21K 9/238

See application file for complete search history.

In the drawings, the broken lines depict environmental subject matter only and form no part of the claimed design. Disclaimer: The glass plunger surrounding the filament, the lamp holder beneath the filament as well as the screw base are shown in broken lines because they are not part of the claimed design, but are considered necessary to show the environment in which the design is associated.

Secondly, in the center of the filament bulb several groups of vertically oriented LED wires are shown wherein each group contains of two LED wires. Only one group of two LED wires is shown in solid lines. The purpose of showing only one group of two LED wires in solid lines is that the second and any further group of two LED wires are identical to said group of two LED wires that is shown in solid lines. Therefore, any repetition of said group of two LED wires—that is shown in solid lines—is shown in broken lines.

Thirdly, the vertically oriented wire support bar in the center of the filament bulb that connects the ends of each of the LED wires is part of the claimed design and, therefore, shown in solid lines.

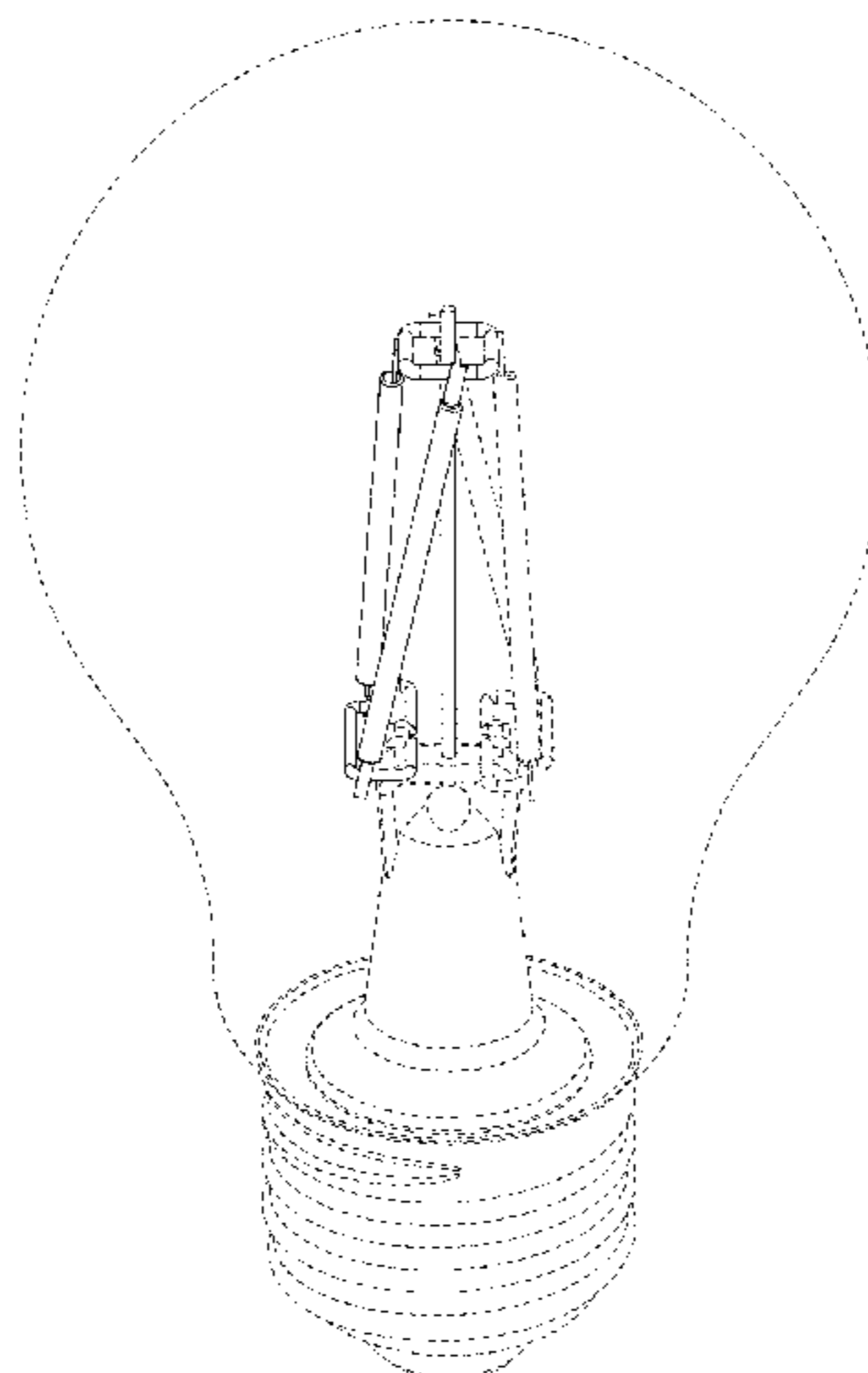
(56) **References Cited**

U.S. PATENT DOCUMENTS

D689,215 S * 9/2013 Xue D26/2
D748,297 S * 1/2016 Ma D13/133
D759,854 S * 6/2016 Wang D26/2
D787,714 S * 5/2017 Wang D26/2
D793,585 S * 8/2017 Zhang D26/2
D801,556 S * 10/2017 Yao D26/2

(Continued)

1 Claim, 7 Drawing Sheets



(56)

References Cited

U.S. PATENT DOCUMENTS

D804,689	S	*	12/2017	Zhou	D26/2
2016/0369949	A1	*	12/2016	Wu	H05B 35/00
2017/0356602	A1	*	12/2017	Lin	F21K 9/238
2018/0045380	A1	*	2/2018	Li	F21K 9/237
2018/0080611	A1	*	3/2018	Haberkorn	F21K 9/232
2018/0080612	A1	*	3/2018	Haberkorn	F21K 9/232
2018/0106435	A1	*	4/2018	Wu	F21K 9/237

* cited by examiner

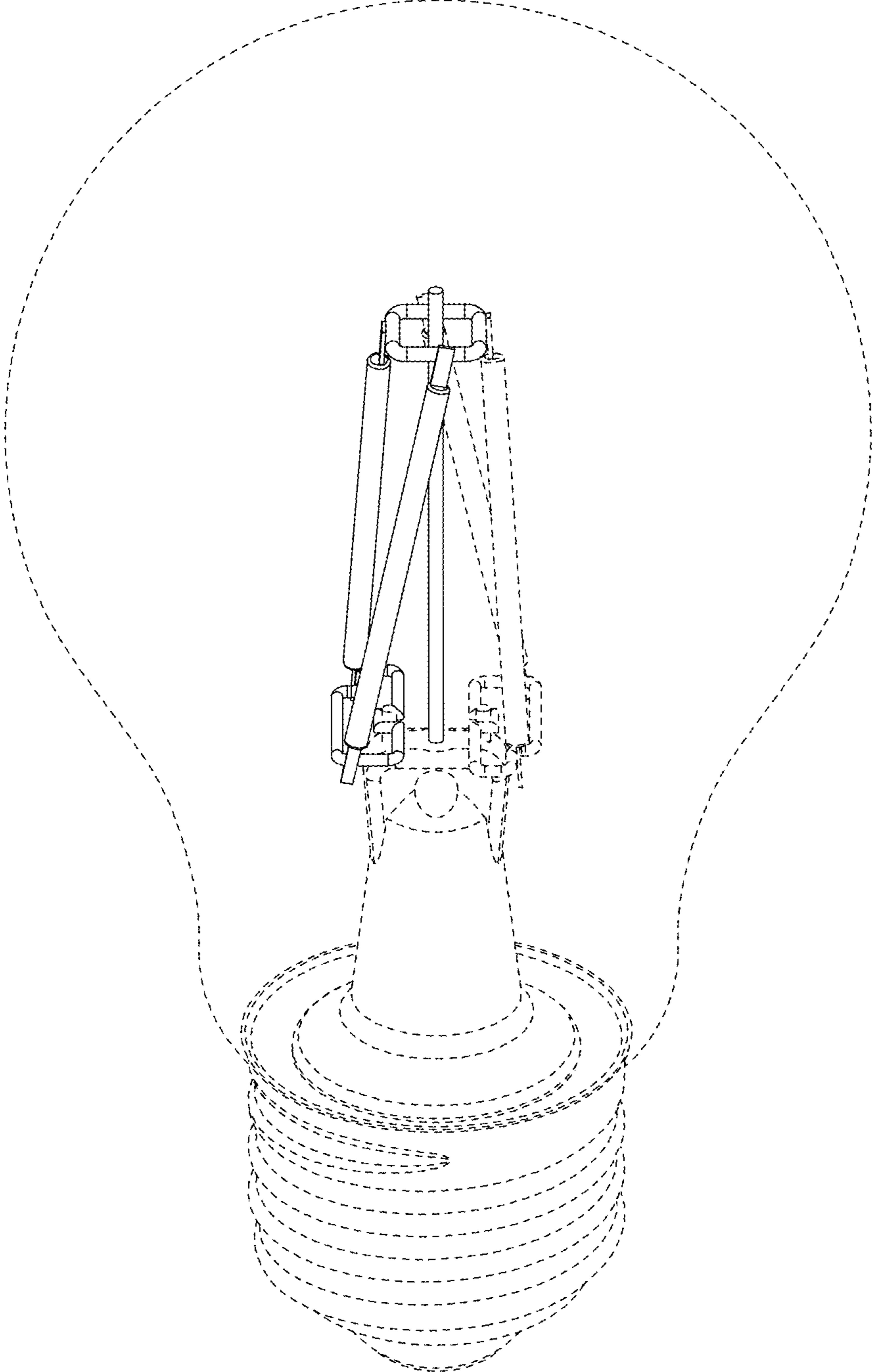


FIG. 1

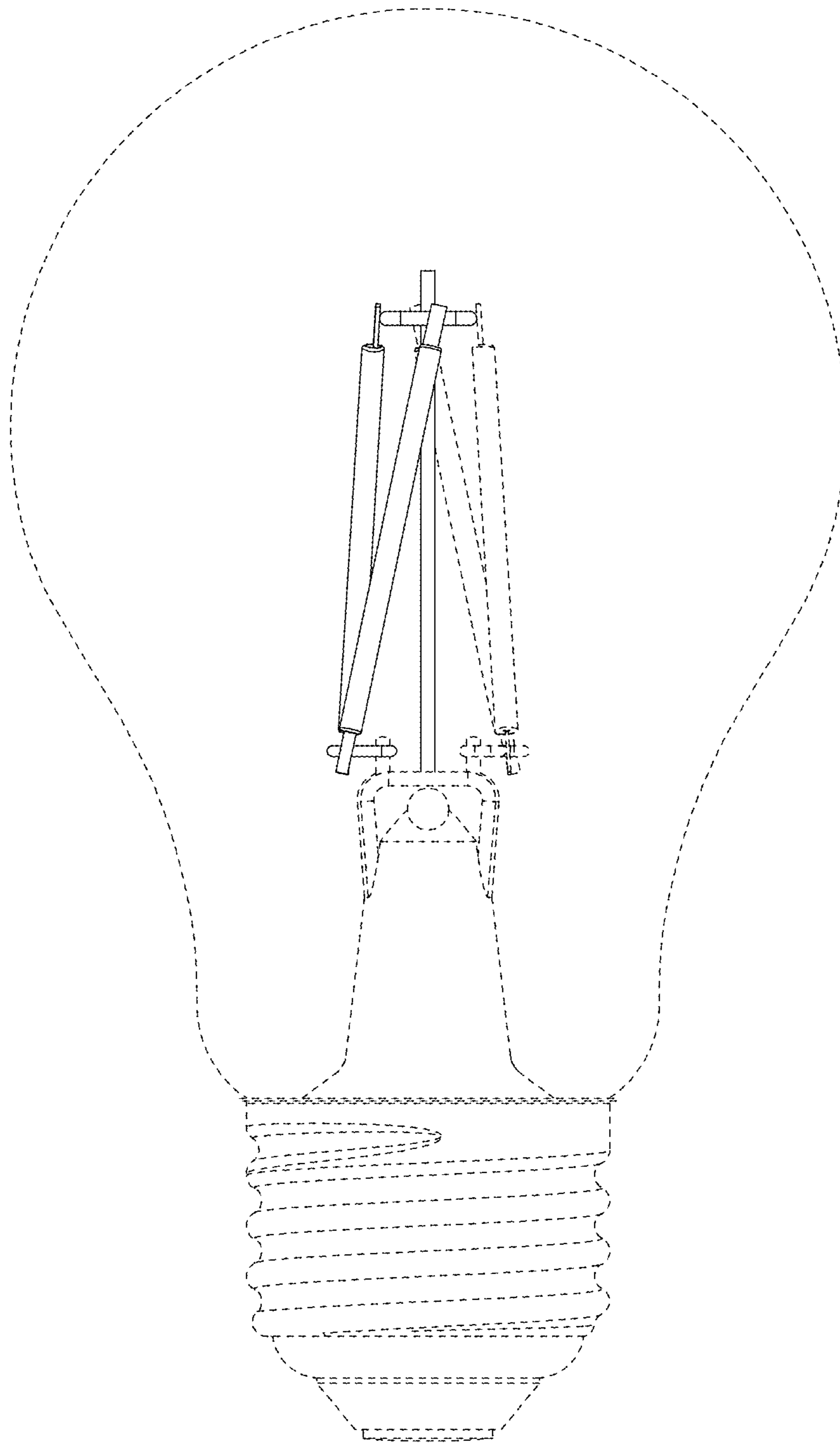


FIG. 2

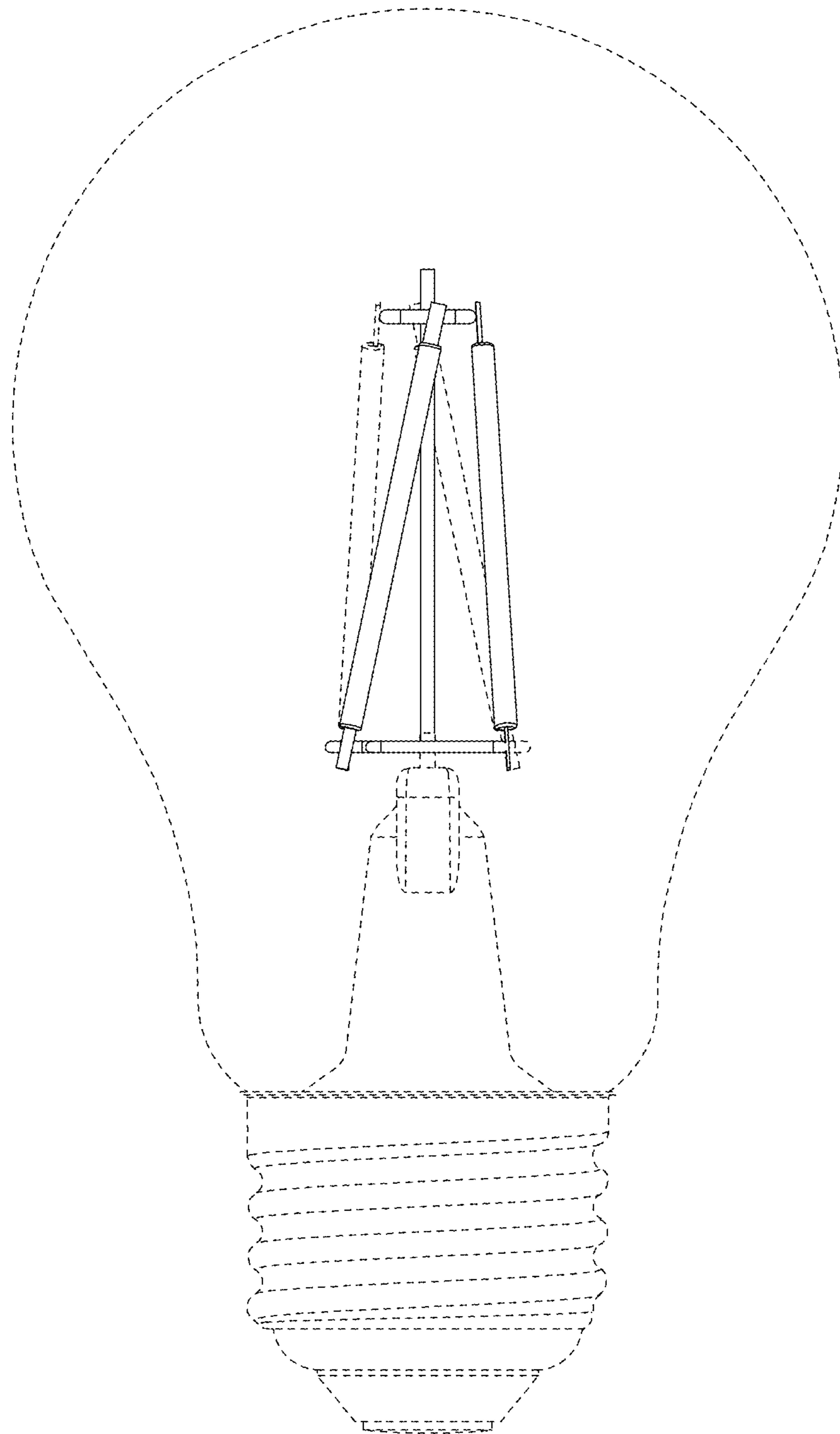


FIG. 3

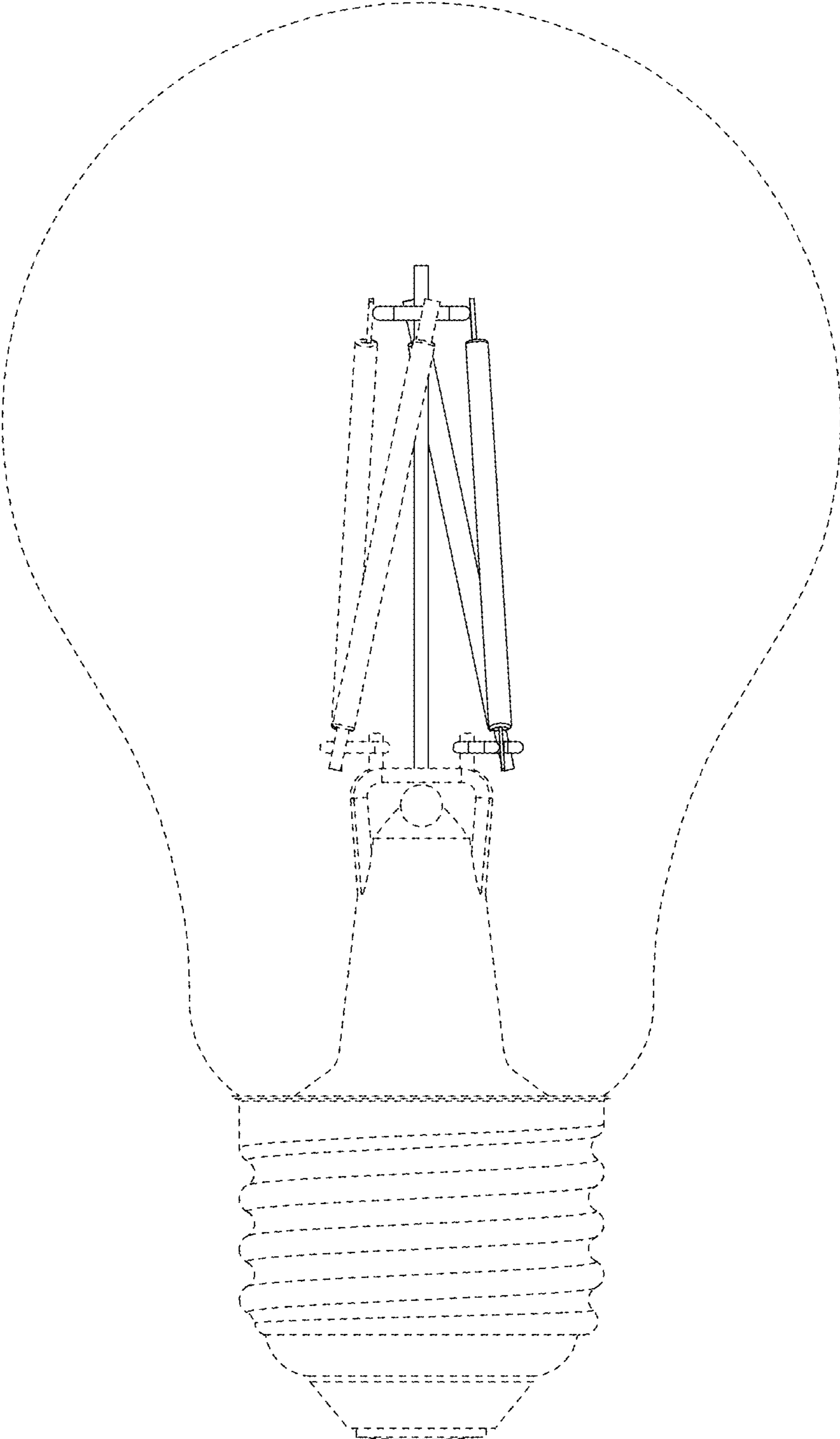


FIG. 4

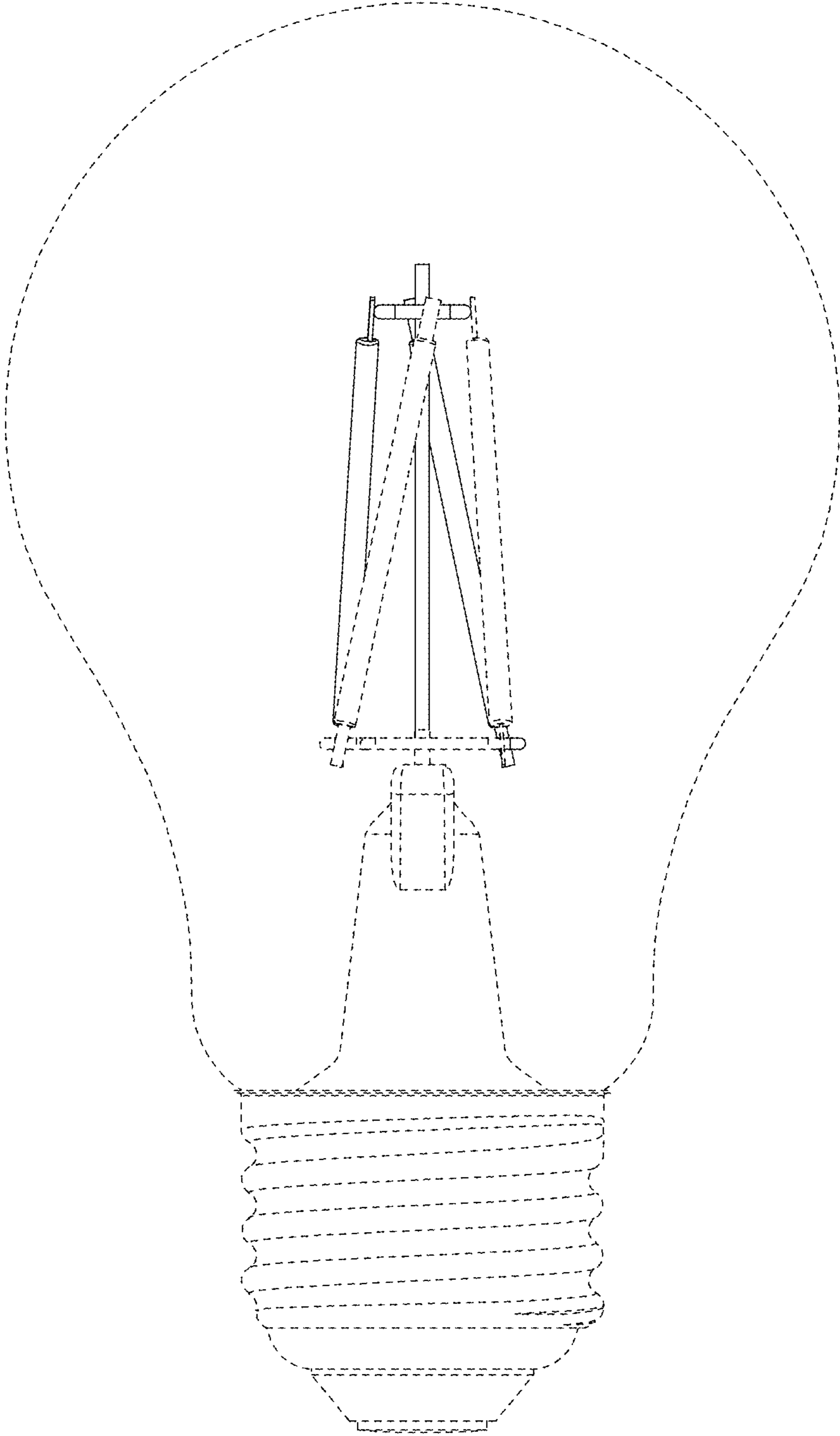


FIG. 5

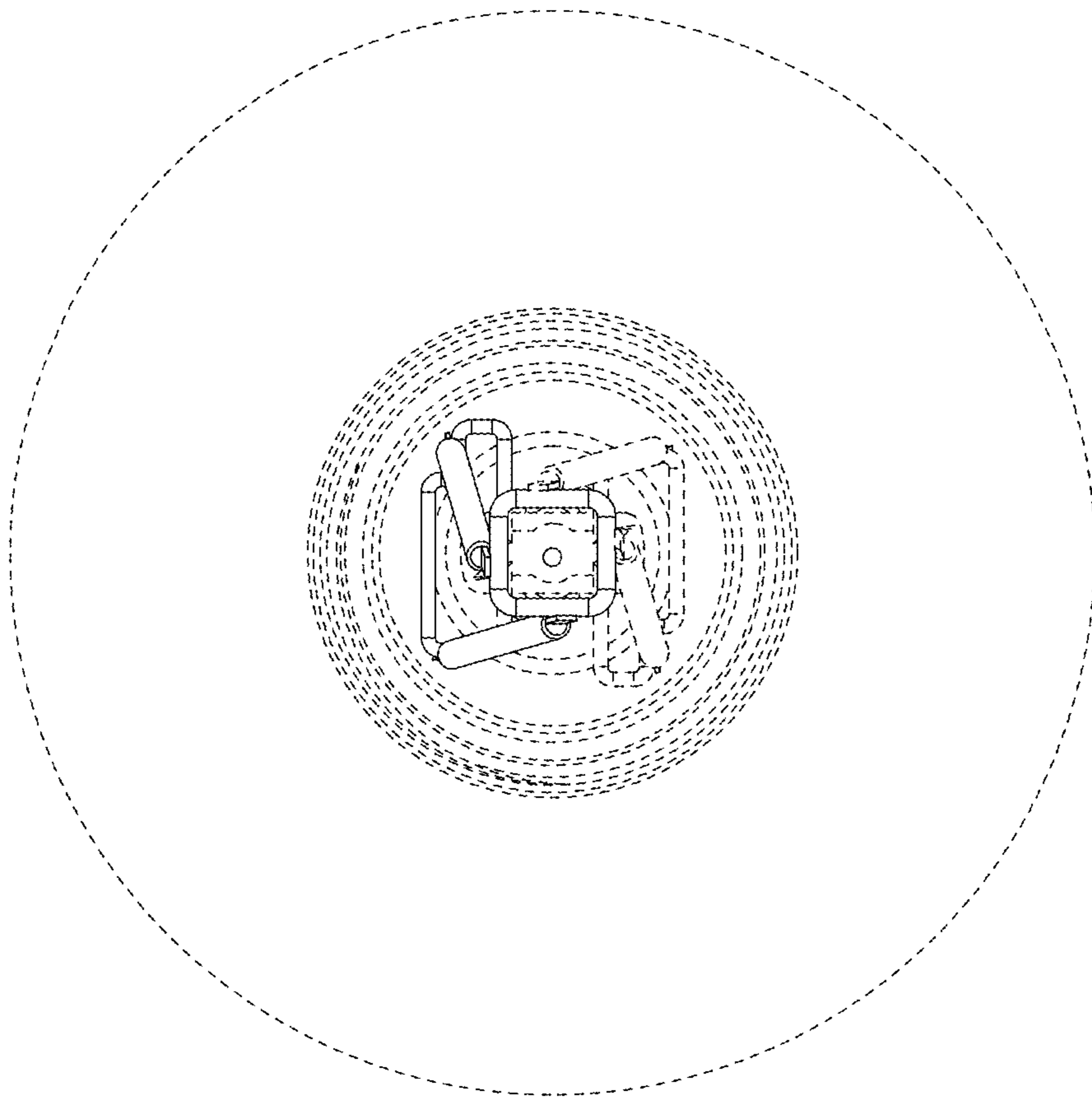


FIG. 6

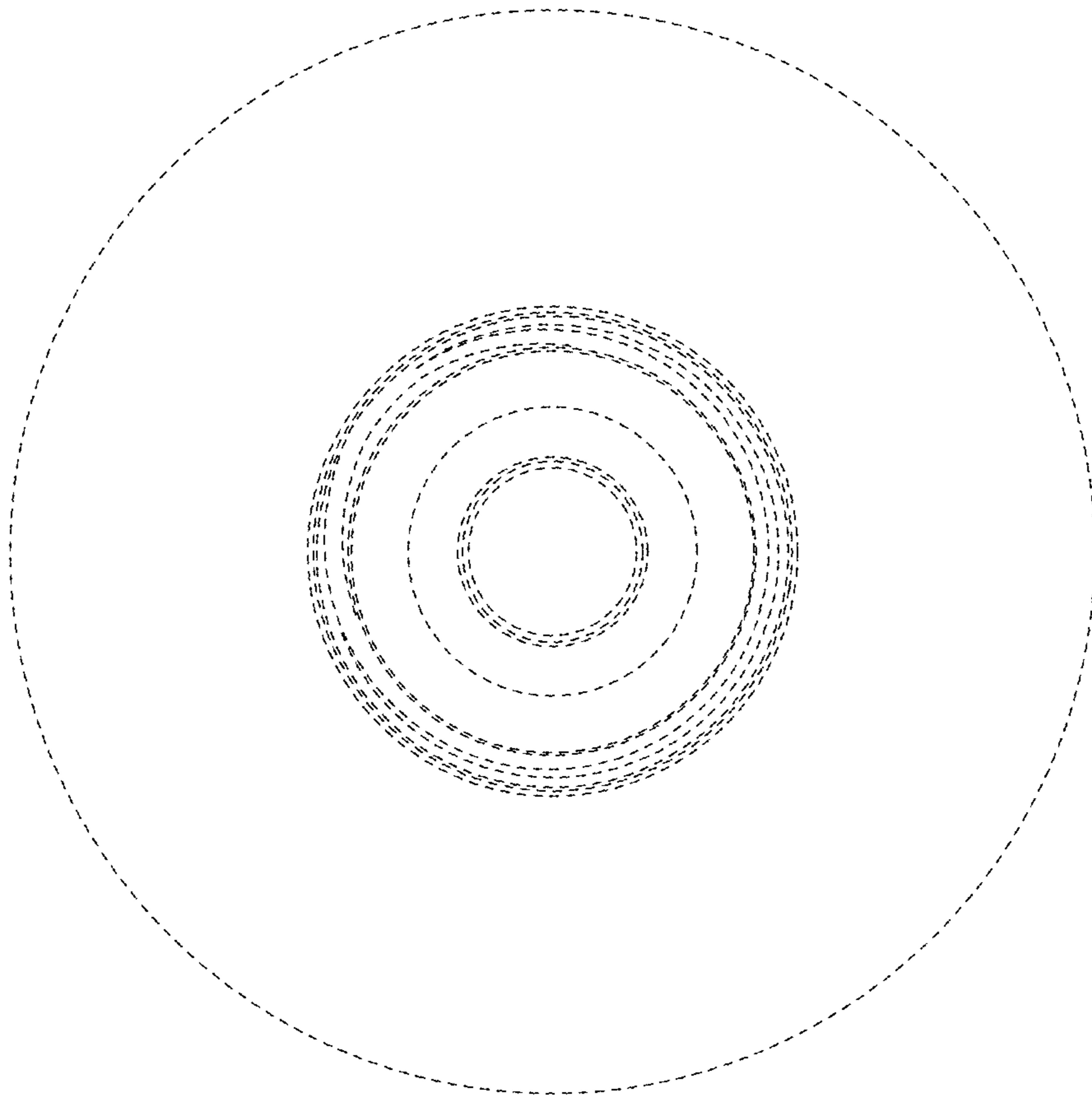


FIG. 7