



US00D829940S

(12) **United States Design Patent** (10) **Patent No.:** **US D829,940 S**  
**Wang et al.** (45) **Date of Patent:** **\*\* Oct. 2, 2018**

(54) **FILAMENT BULB**

(71) Applicant: **XIAMEN ECO LIGHTING CO., LTD.**, Xiamen, Fujian Province (CN)

(72) Inventors: **Qiyuan Wang**, Xiamen (CN); **Minghao Wu**, Xiamen (CN); **Xiaobo Chen**, Xiamen (CN); **Liangliang Cao**, Xiamen (CN); **Yunnan Lin**, Xiamen (CN); **Fuwen Li**, Xiamen (CN)

(73) Assignee: **XIAMEN ECO LIGHTING CO., LTD.** (CN)

(\*\*) Term: **15 Years**

(21) Appl. No.: **29/609,687**

(22) Filed: **Jul. 4, 2017**

(51) **LOC (11) Cl.** ..... **26-04**

(52) **U.S. Cl.**  
USPC ..... **D26/2**

(58) **Field of Classification Search**

USPC .... D26/1-6, 22, 72, 74, 78, 88, 89, 93, 106,  
D26/113-116, 118, 120, 121, 138;  
D13/169, 174; D22/117; D8/305-312  
CPC ..... A01G 13/06; C11C 5/006; F21L 17/00;  
F21L 4/005; F23D 3/16; F23D 3/18;  
F21V 33/0064; F41B 15/022; F41B  
15/025; H05B 35/00; F21K 9/232; F21K  
9/237; F21K 9/238

See application file for complete search history.

(56) **References Cited**

U.S. PATENT DOCUMENTS

D689,215 S *	9/2013	Xue	.....	D26/2
D748,297 S *	1/2016	Ma	.....	D13/133
D759,854 S *	6/2016	Wang	.....	D26/2
D787,714 S *	5/2017	Wang	.....	D26/2
D793,585 S *	8/2017	Zhang	.....	D26/2
D801,556 S *	10/2017	Yao	.....	D26/2

(Continued)

*Primary Examiner* — Brandon M Rosati

*Assistant Examiner* — John A Voytek

(74) *Attorney, Agent, or Firm* — PROI Intellectual Property US

(57) **CLAIM**

The ornamental design for a filament bulb, as shown and described.

**DESCRIPTION**

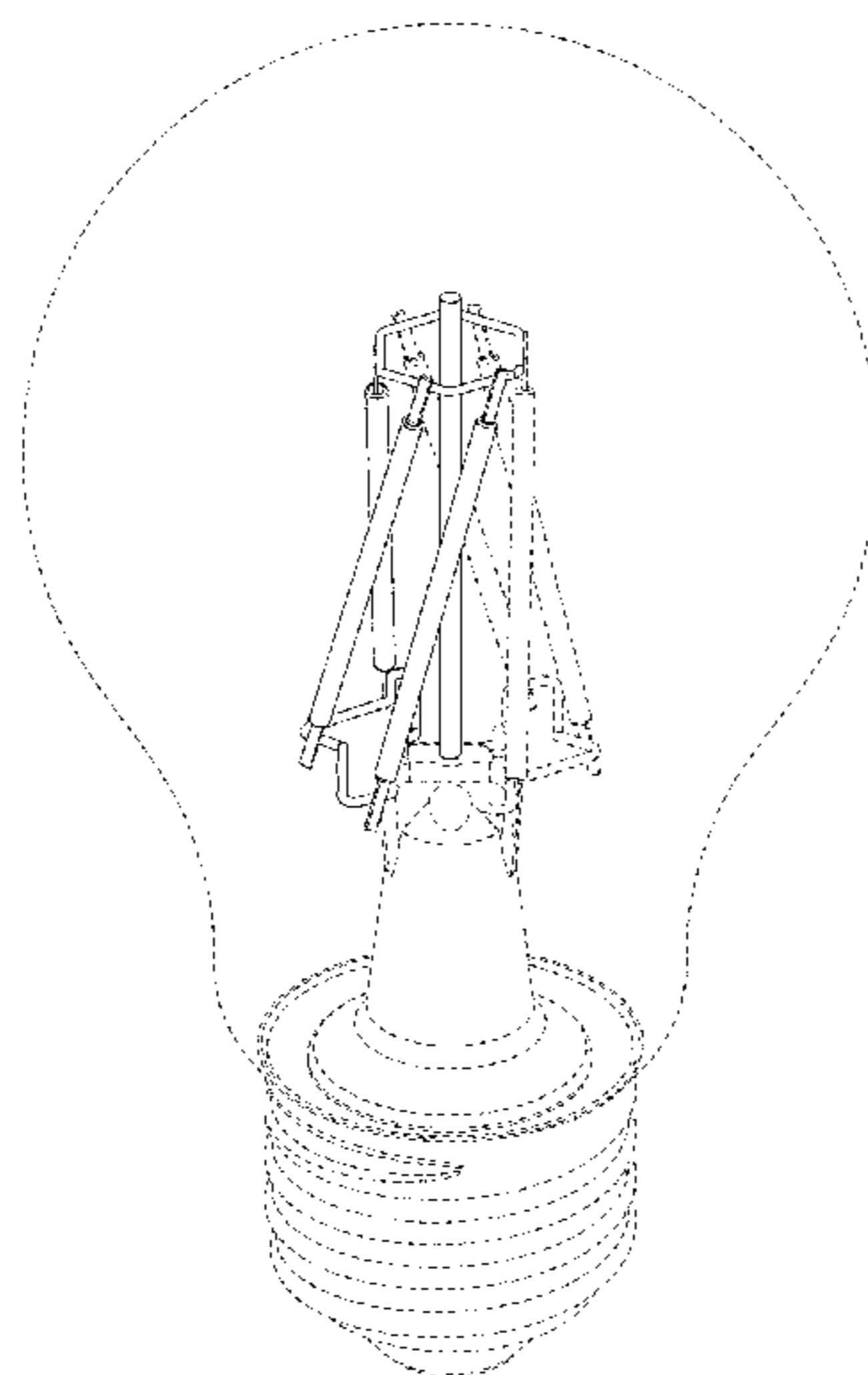
FIG. 1 is a perspective front View of a filament bulb; FIG. 2 is a front View thereof; FIG. 3 is a left side View thereof; FIG. 4 is a rear View thereof; FIG. 5 is a right side View thereof; FIG. 6 is a top plan View thereof; and, FIG. 7 is a bottom plan View thereof.

In the drawings, the broken lines depict environmental subject matter only and form no part of the claimed design. Disclaimer: The glass plunger surrounding the filament, the lamp holder beneath the filament as well as the screw base are shown in broken lines because they are not part of the claimed design, but are considered necessary to show the environment in which the design is associated.

Secondly, in the center of the filament bulb several groups of vertically oriented LED wires are shown wherein each group contains of three LED wires. Only one group of three LED wires is shown in solid lines. The purpose of showing only one group of three LED wires in solid lines is that the second and any further group of three LED wires are identical to said group of three LED wires that is shown in solid lines. Therefore, any repetition of said group of three LED wires—that is shown in solid lines—is shown in broken lines.

Thirdly, the vertically oriented wire support bar in the center of the filament bulb that connects the ends of each of the LED wires is part of the claimed design and, therefore, shown in solid lines.

**1 Claim, 7 Drawing Sheets**



(56)

**References Cited**

U.S. PATENT DOCUMENTS

D804,689	S	*	12/2017	Zhou	.....	D26/2
2016/0369949	A1	*	12/2016	Wu	.....	H05B 35/00
2017/0356602	A1	*	12/2017	Lin	.....	F21K 9/238
2018/0045380	A1	*	2/2018	Li	.....	F21K 9/237
2018/0080611	A1	*	3/2018	Haberkorn	.....	F21K 9/232
2018/0080612	A1	*	3/2018	Haberkorn	.....	F21K 9/232
2018/0106435	A1	*	4/2018	Wu	.....	F21K 9/237

\* cited by examiner

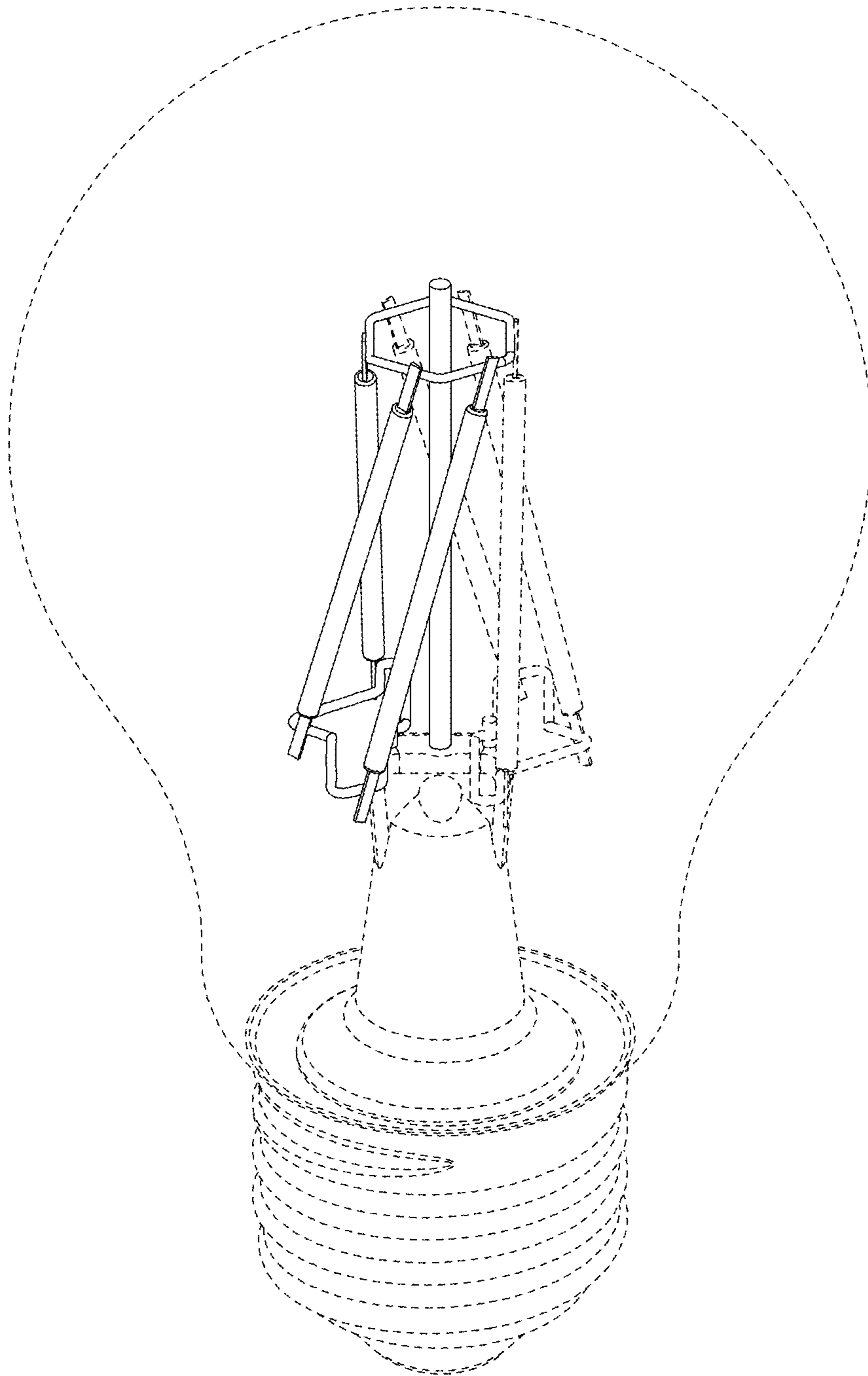


FIG. 1

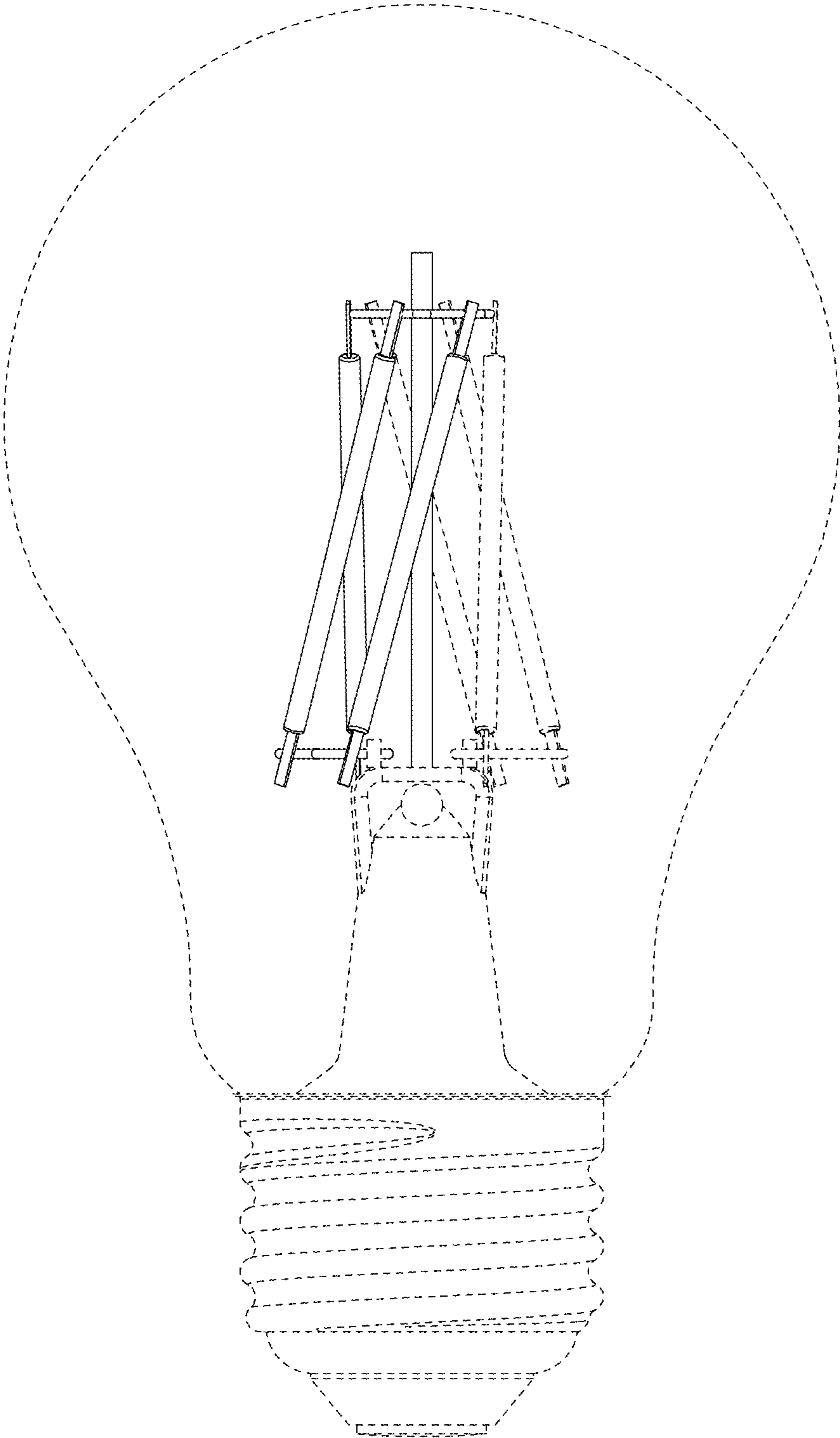


FIG. 2

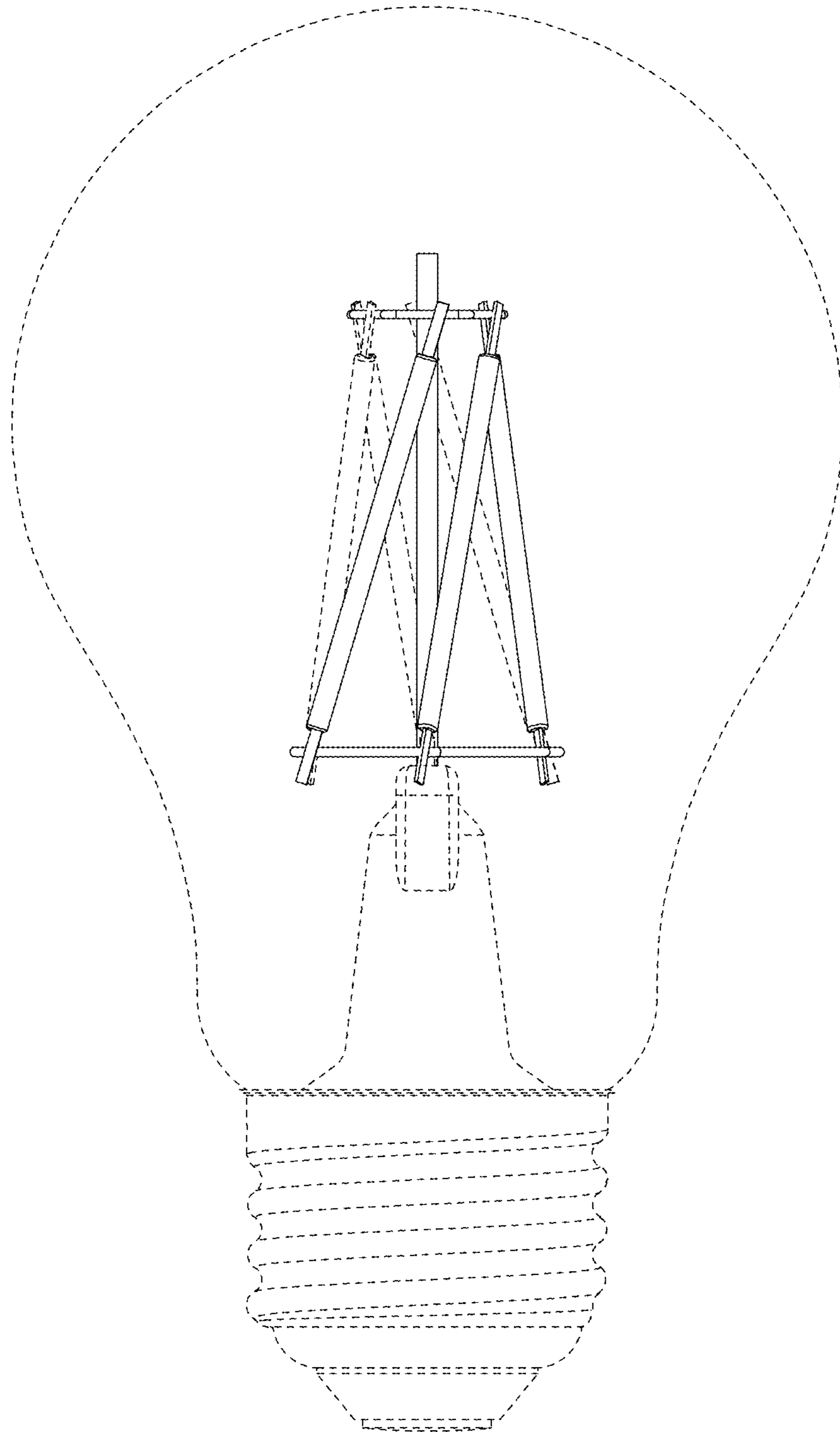


FIG. 3

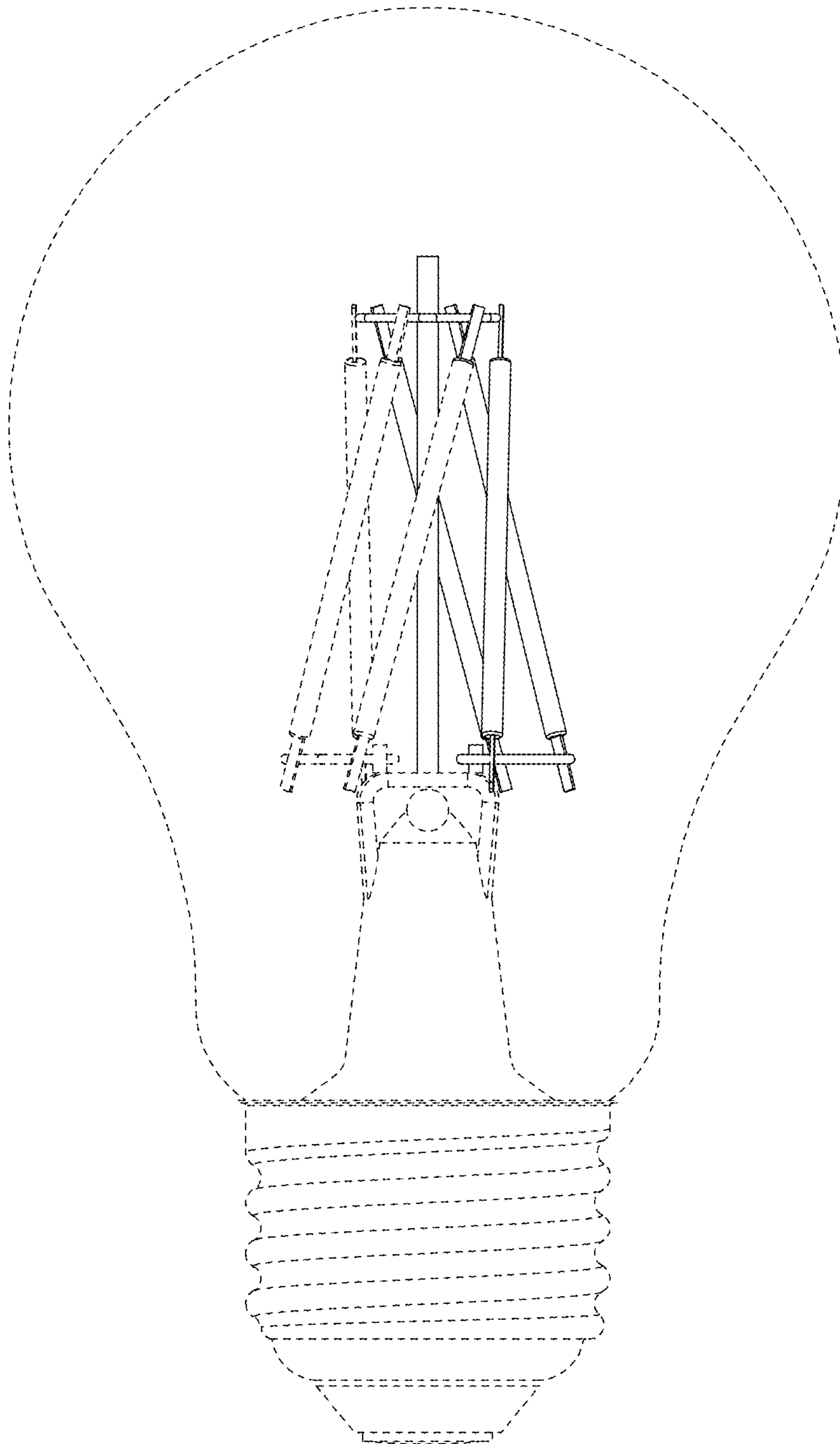


FIG. 4

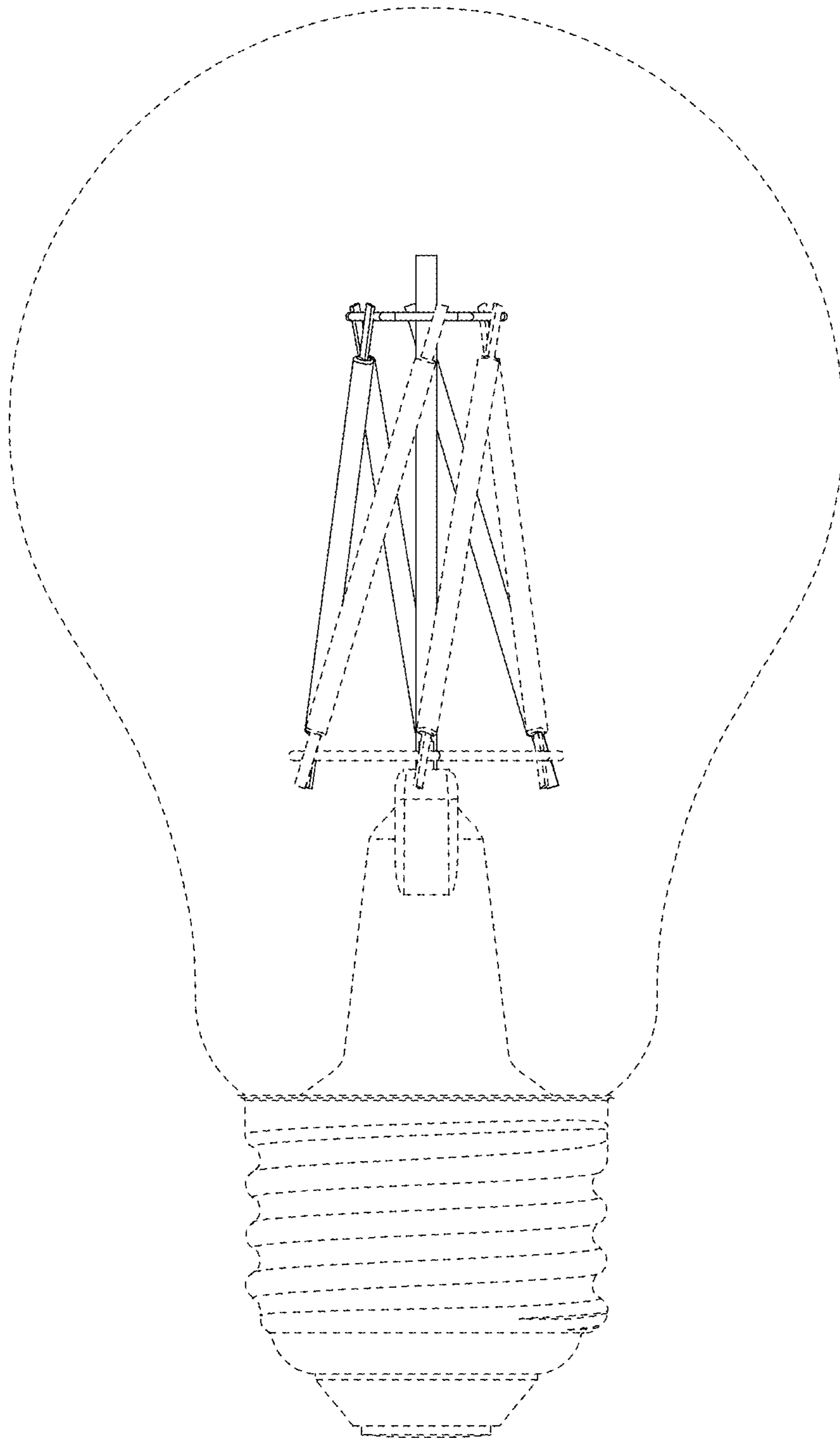


FIG. 5

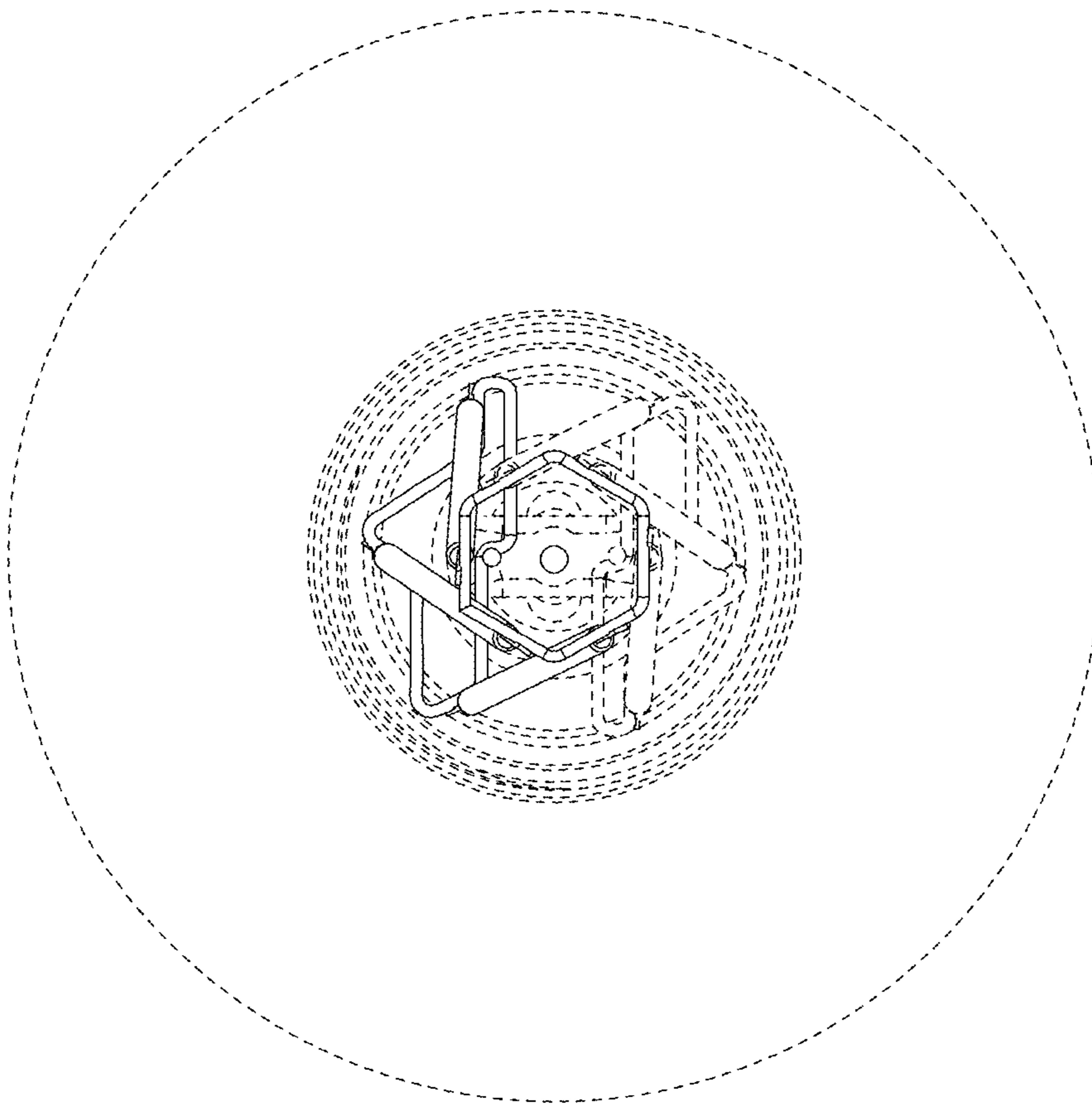


FIG. 6



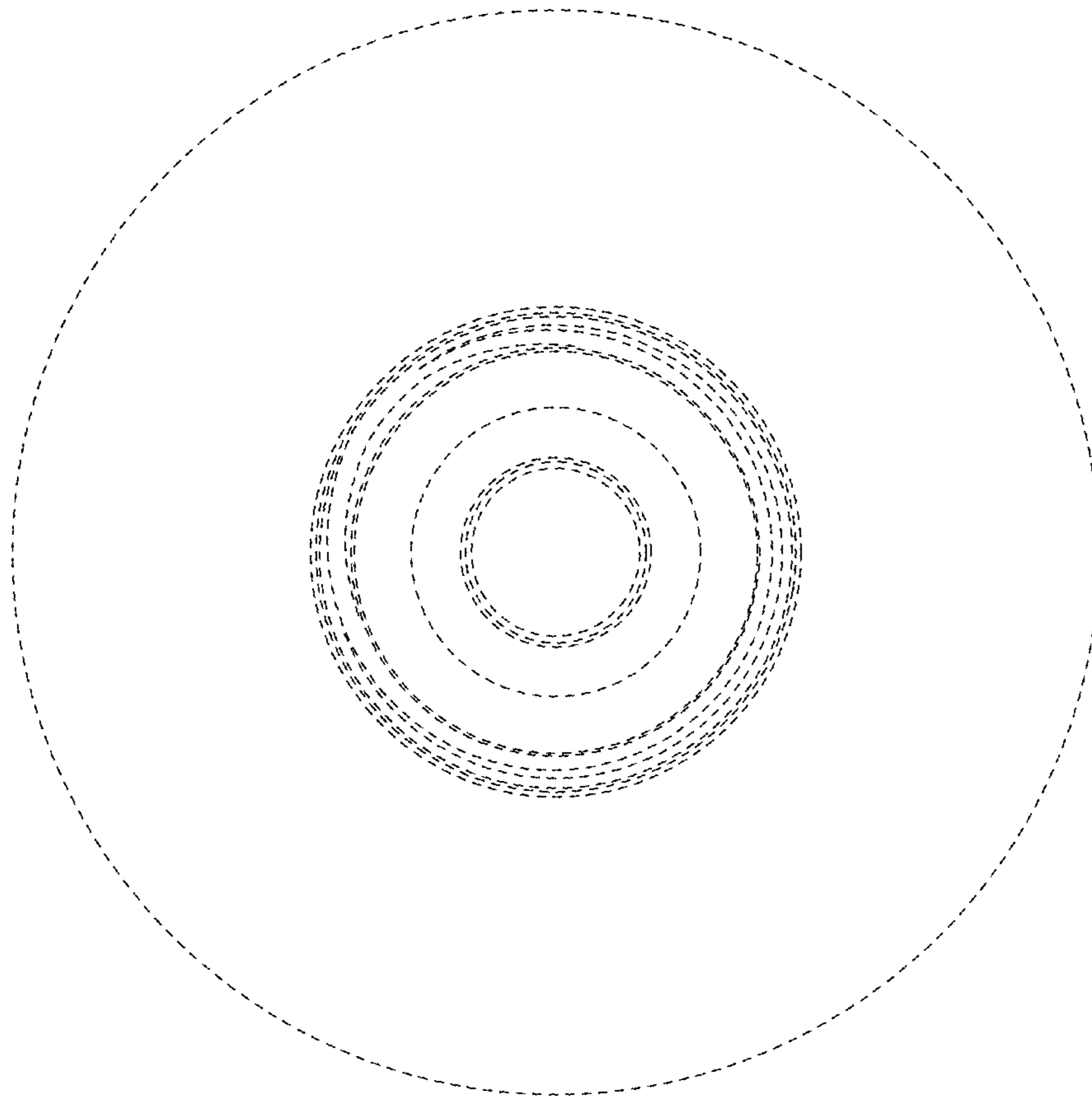


FIG. 7